



US00D370734S

# United States Patent [19]

Lynch et al.

[11] Patent Number: **Des. 370,734**

[45] Date of Patent: **\*\*Jun. 11, 1996**

[54] LANTERN

[75] Inventors: **Peter F. Lynch; David A. Furth**, both of Skeneatles; **Mark A. Ferguson**, Jamesville, all of N.Y.

[73] Assignee: **Eveready Battery Company, Inc.**, St. Louis, Mo.

[\*\*] Term: **14 Years**

[21] Appl. No.: **28,465**

[22] Filed: **Sep. 15, 1994**

[52] U.S. Cl. .... **D26/44**

[58] Field of Search ..... **D26/37-50; 362/157, 362/158, 183, 184, 187-202, 258**

[56] **References Cited**

**U.S. PATENT DOCUMENTS**

- D. 162,578 3/1951 Potekin .
- D. 190,520 6/1961 Graubner .
- D. 213,126 1/1969 Doman .
- D. 243,272 2/1977 Okuno et al. .
- D. 255,276 6/1980 Mann .
- D. 265,427 7/1982 Mann ..... D26/44
- D. 276,375 11/1984 Fenne ..... D26/44
- D. 279,221 6/1985 Schosser et al. .
- D. 284,106 6/1986 Drane .
- D. 287,292 12/1986 Yuen .
- D. 295,561 5/1988 Hsiao .
- D. 308,256 5/1990 Ohashi .
- D. 311,592 10/1990 Jones ..... D26/44
- D. 313,665 1/1991 Yuen .
- D. 328,501 8/1992 Yuen .
- D. 329,504 9/1992 Yuen .

- D. 337,840 7/1993 Ekeroth .
- D. 338,542 8/1993 Yuen .
- D. 338,975 8/1993 Yuen .
- D. 344,602 2/1994 Yuen .
- D. 348,318 6/1994 Schultz .
- 2,861,174 11/1958 Talbot et al. .
- 3,233,092 2/1966 Umholtz ..... 362/183
- 3,936,670 2/1976 Allen, Sr. .... 362/258
- 4,345,304 8/1982 Penney et al. .... 362/196 X
- 4,369,487 1/1983 Carlow .
- 4,447,863 5/1984 Fenne .
- 4,654,764 3/1987 Hsiao .
- 4,740,872 4/1988 Chou .
- 5,003,450 3/1991 Burton et al. .

**OTHER PUBLICATIONS**

Eveready Lighting Products Brochure dated Spring 1993.

*Primary Examiner*—Susan J. Lucas

*Attorney, Agent, or Firm*—Robert W. Welsh; Richard C. Cooper

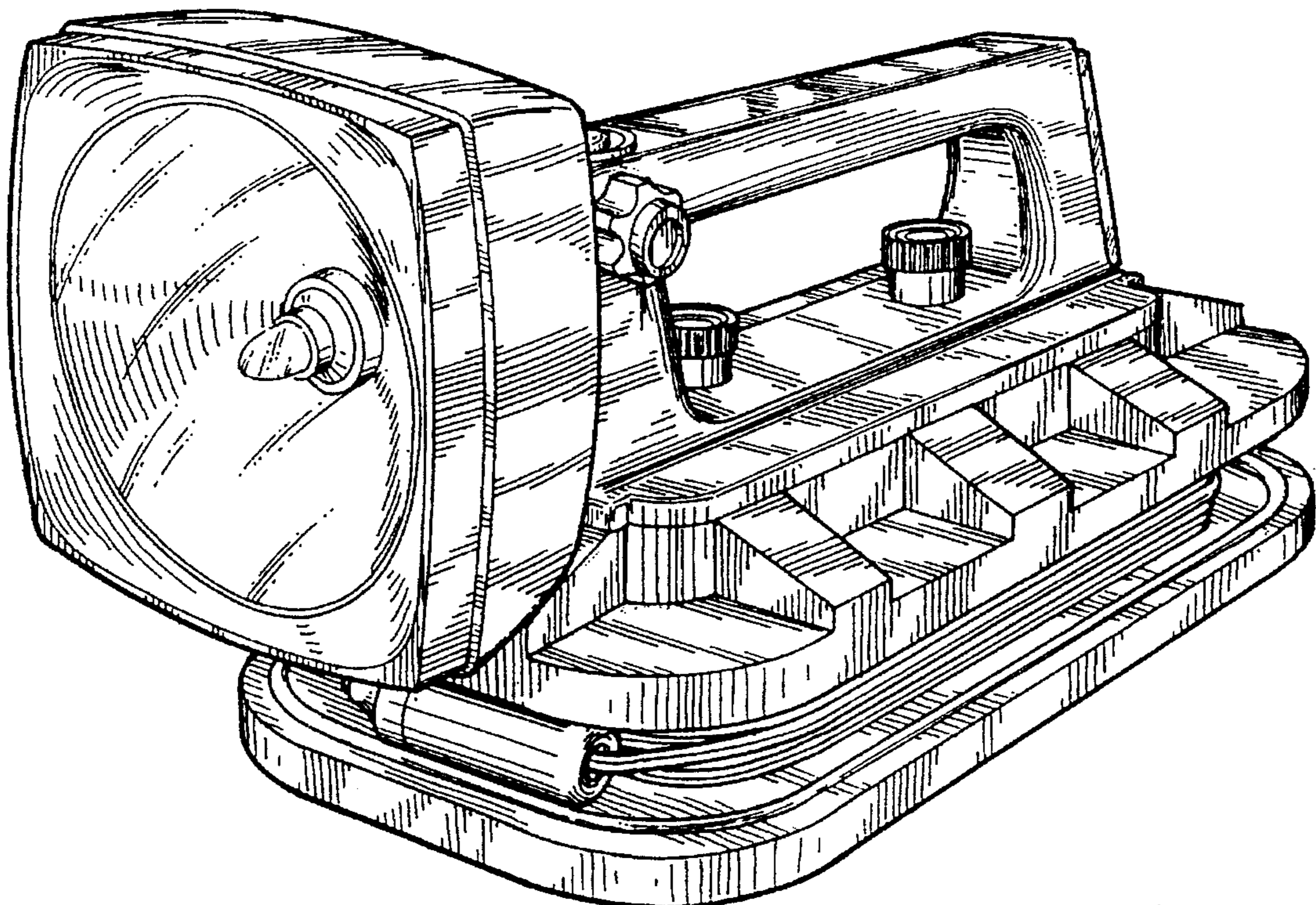
[57] **CLAIM**

The ornamental design for the lantern, as shown and described.

**DESCRIPTION**

FIG. 1 is an oblique view of the lantern; FIGS. 2 and 3 are side elevational views of the lantern; FIG. 4 is a front elevational view of the lantern; FIG. 5 is a rear elevational view of the lantern; FIG. 6 is a top plan view of the lantern; and, FIG. 7 is a bottom plan view of the lantern.

**1 Claim, 3 Drawing Sheets**



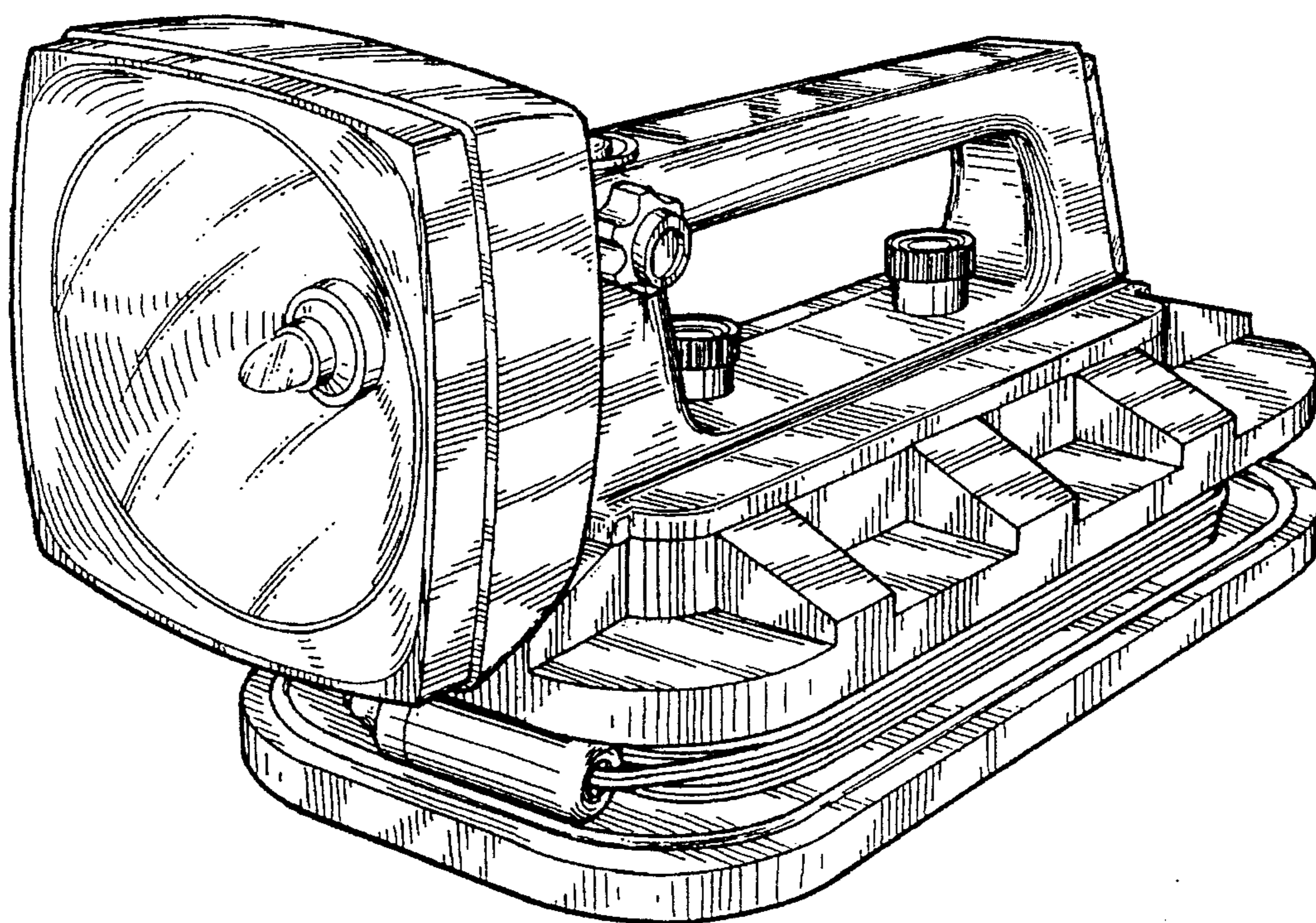


FIG. 1

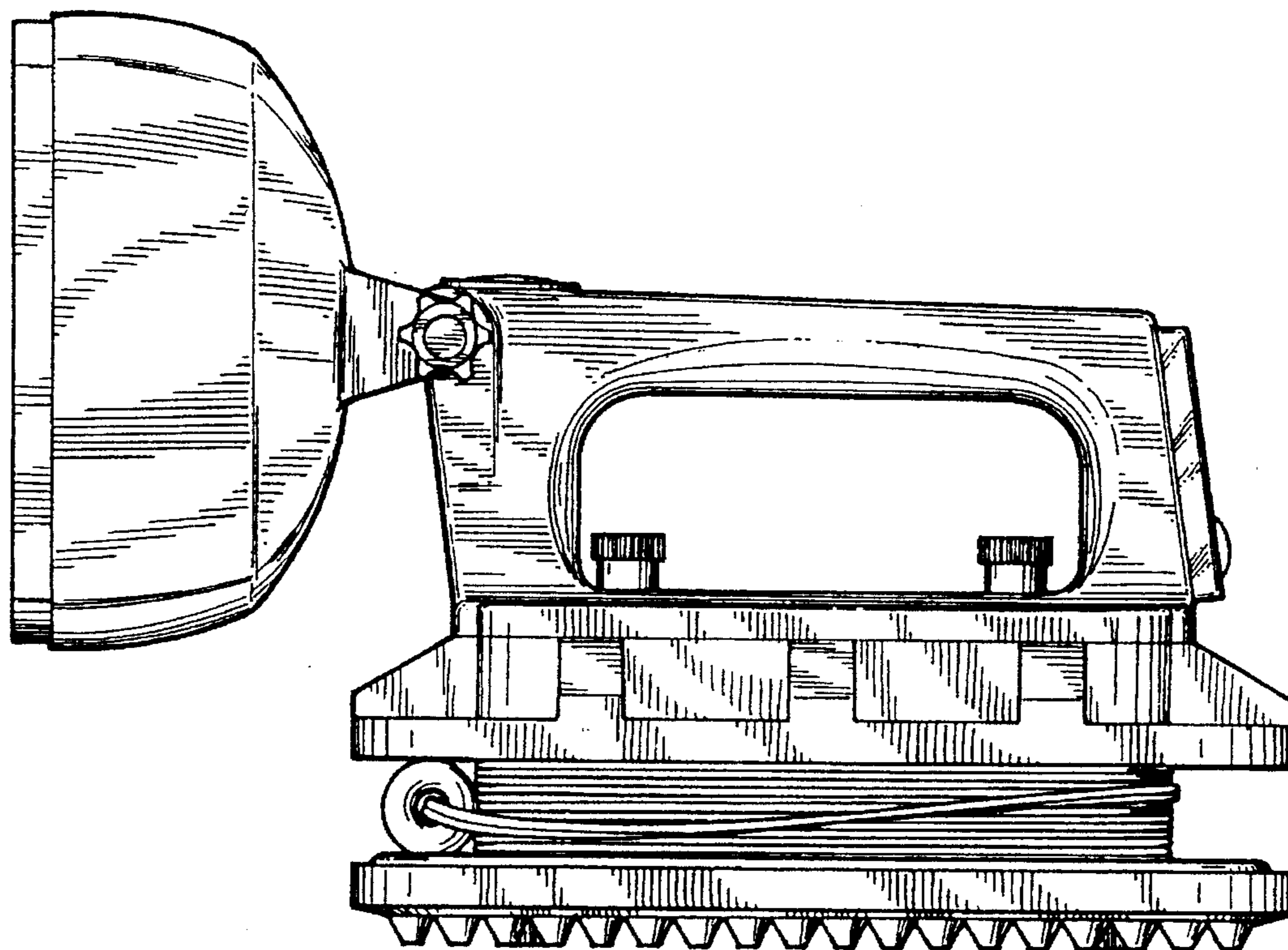


FIG. 2

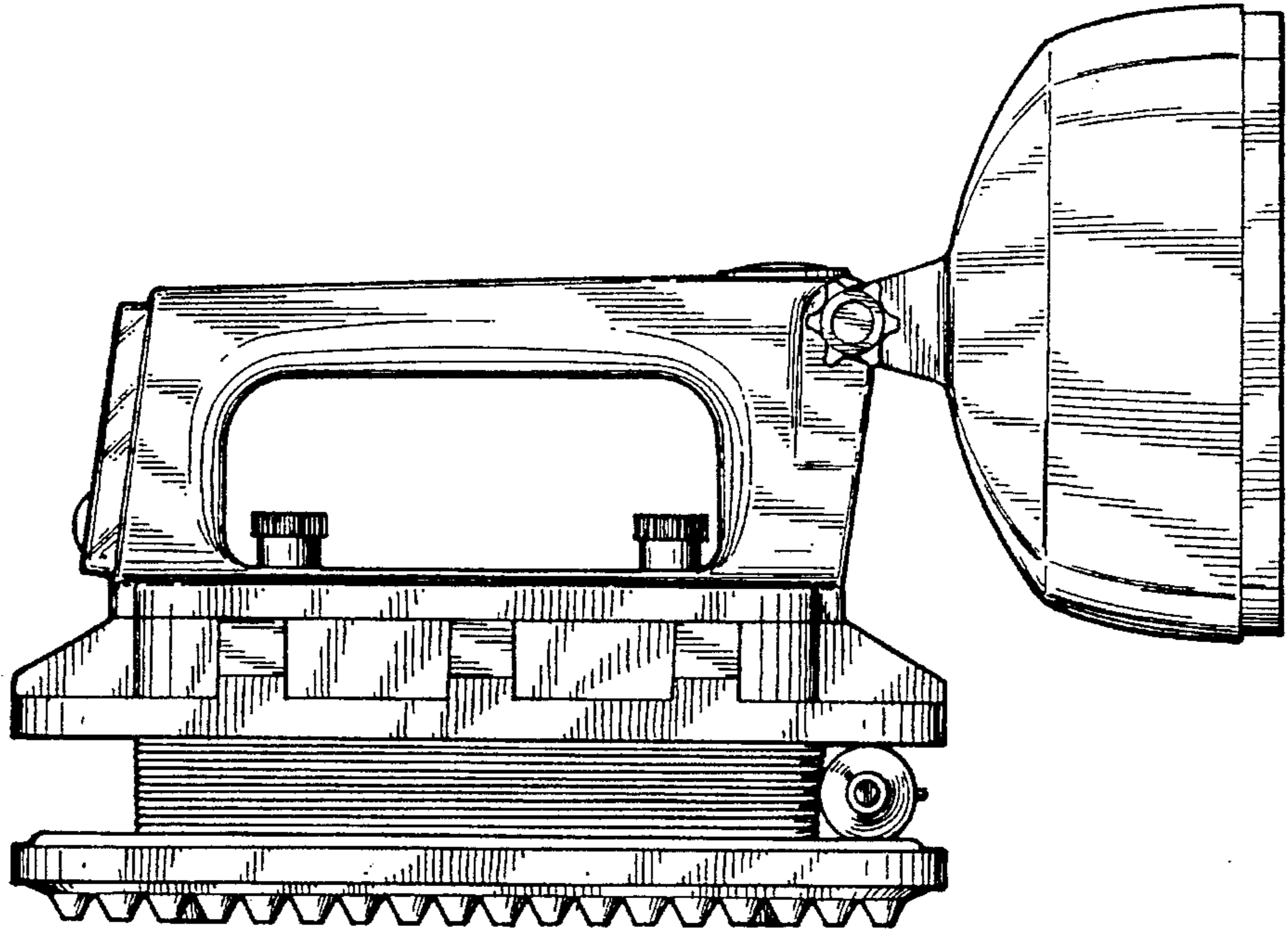


FIG. 3

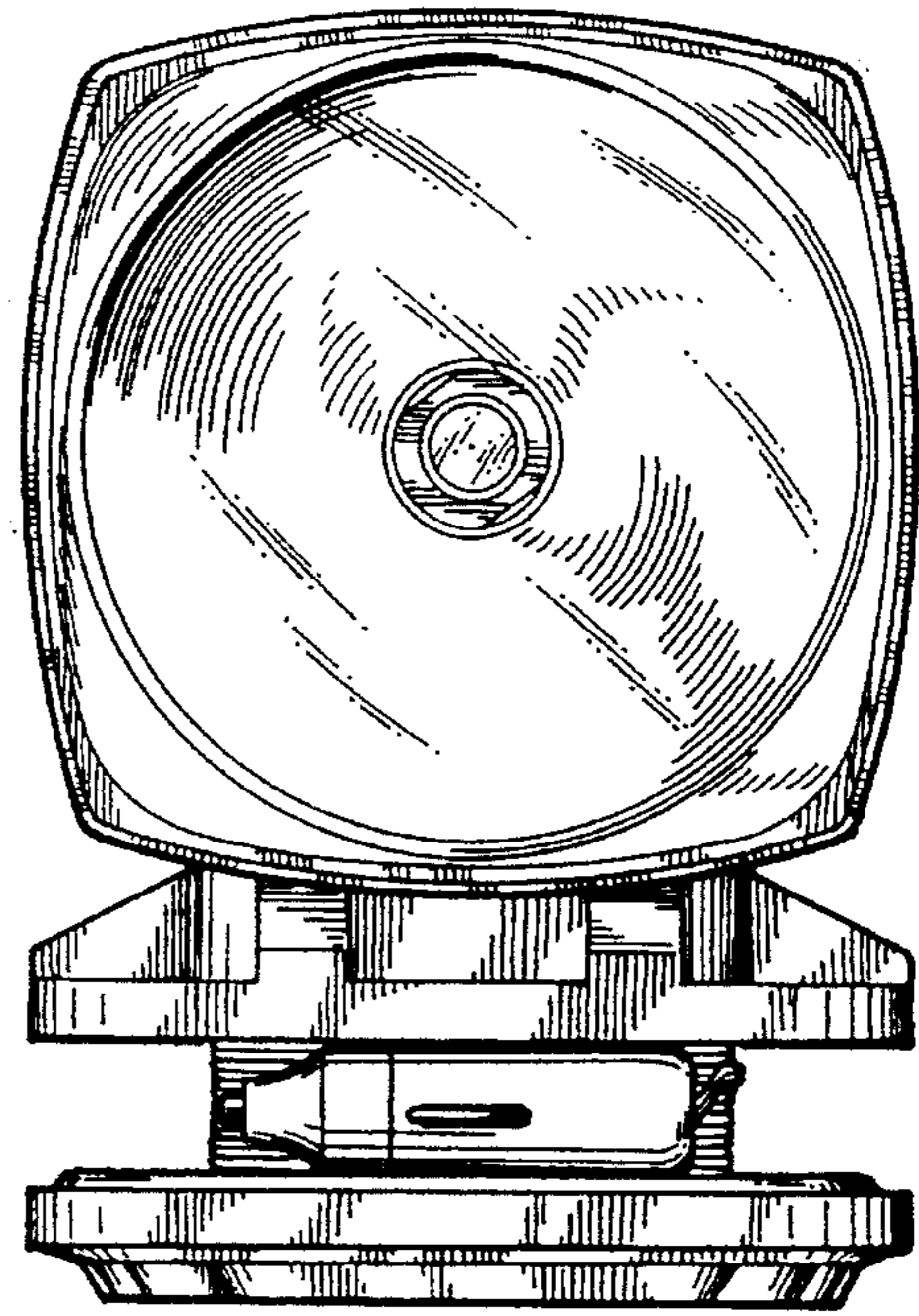


FIG. 4

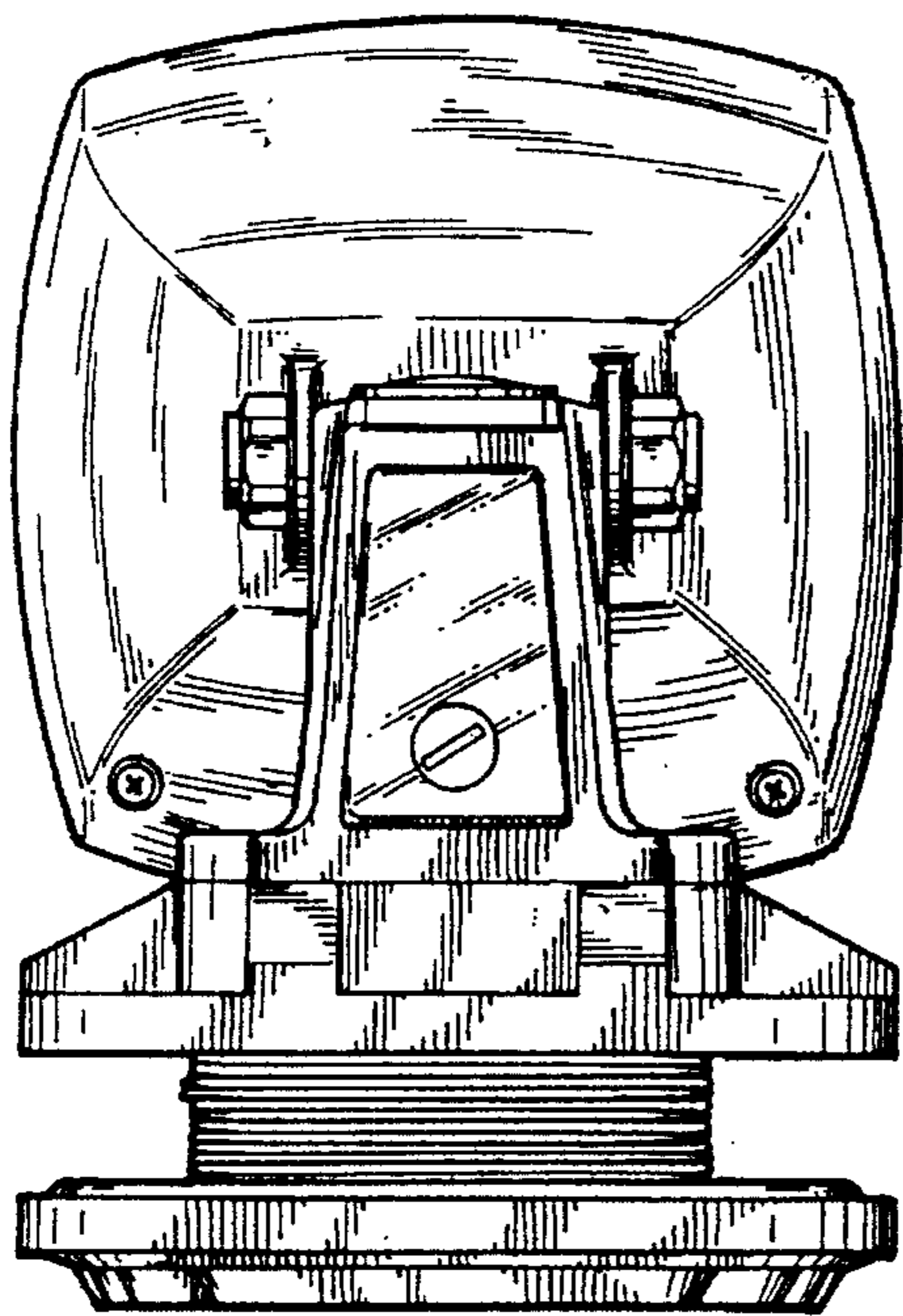


FIG. 5

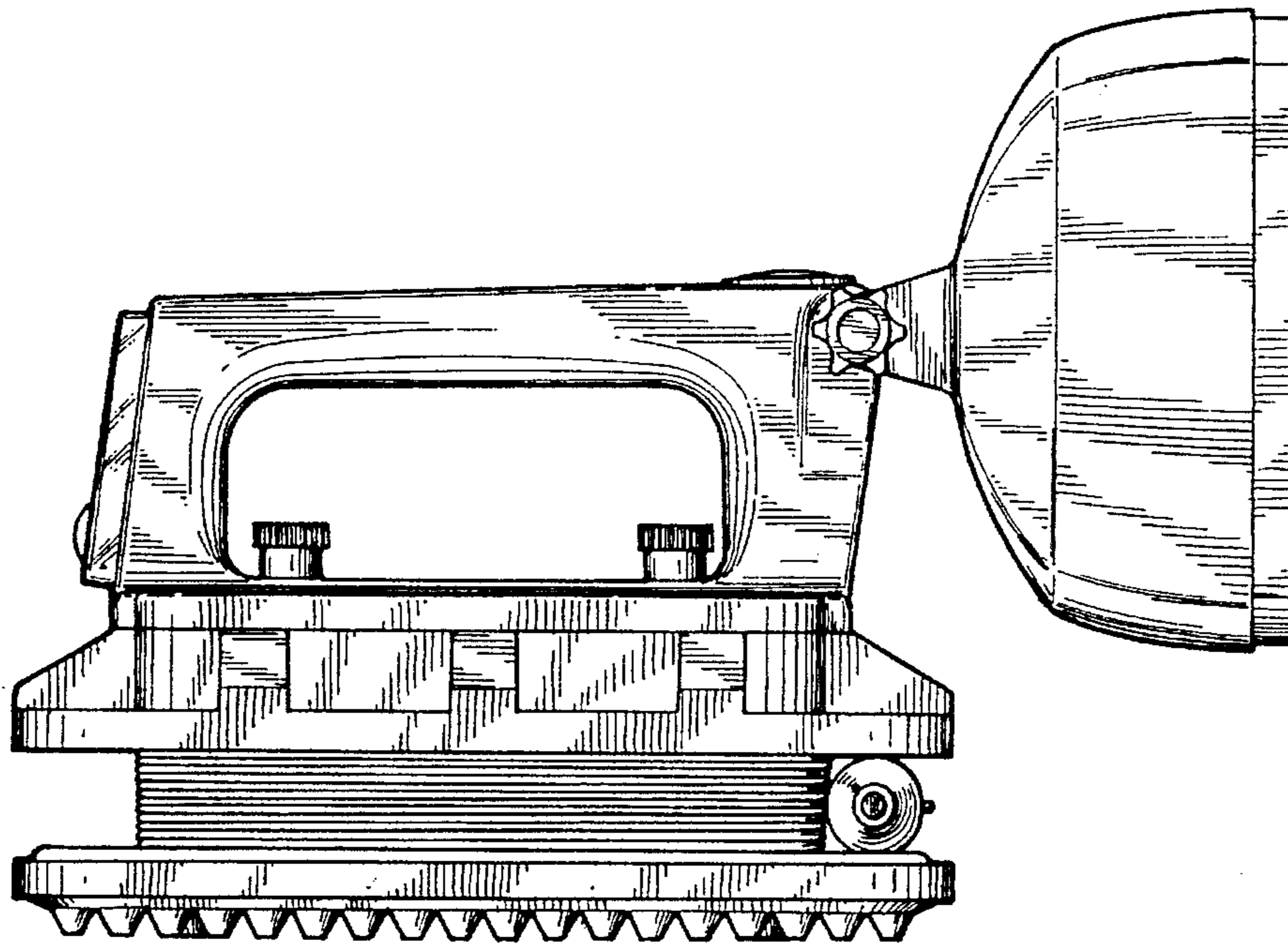


FIG. 3

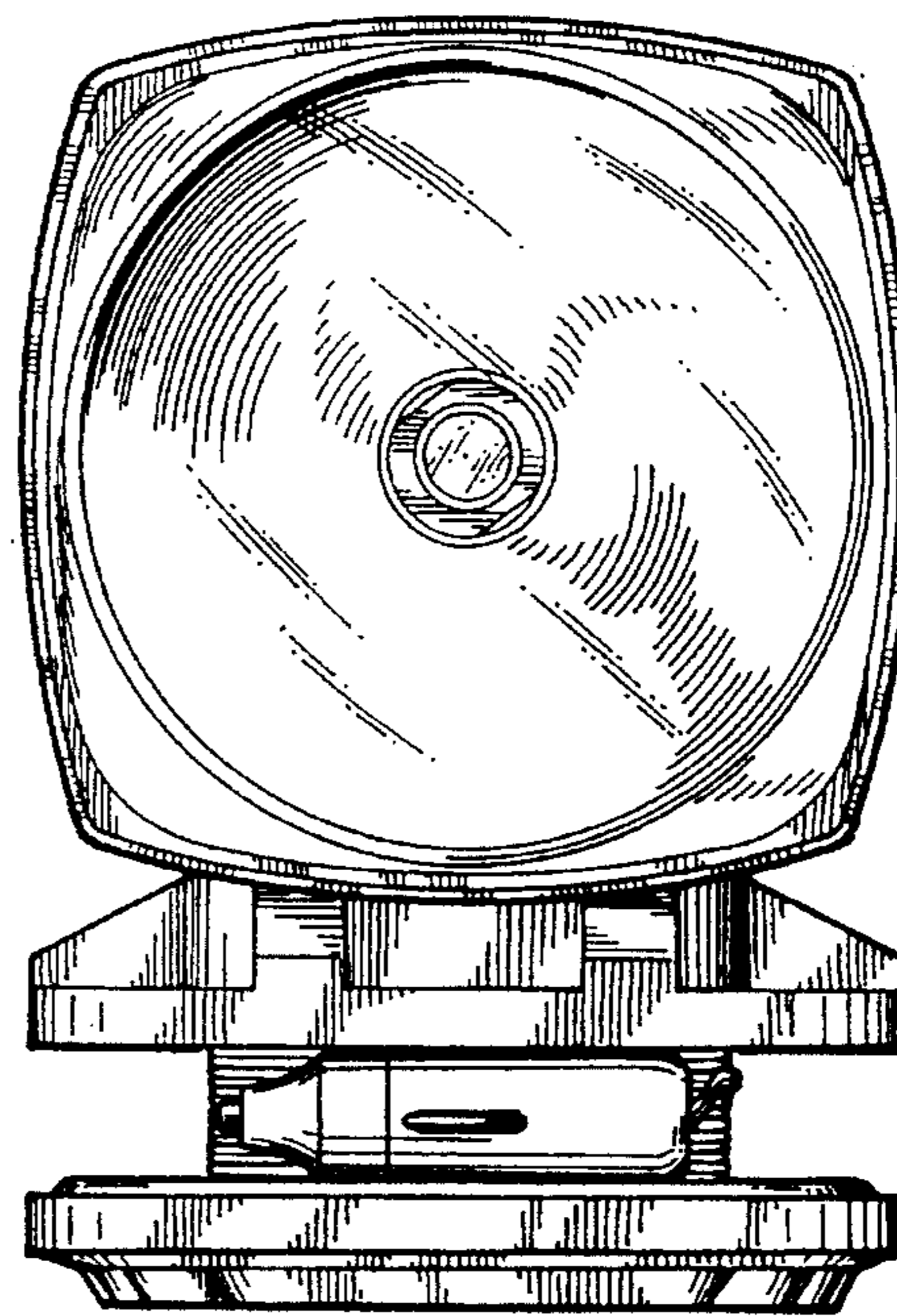


FIG. 4

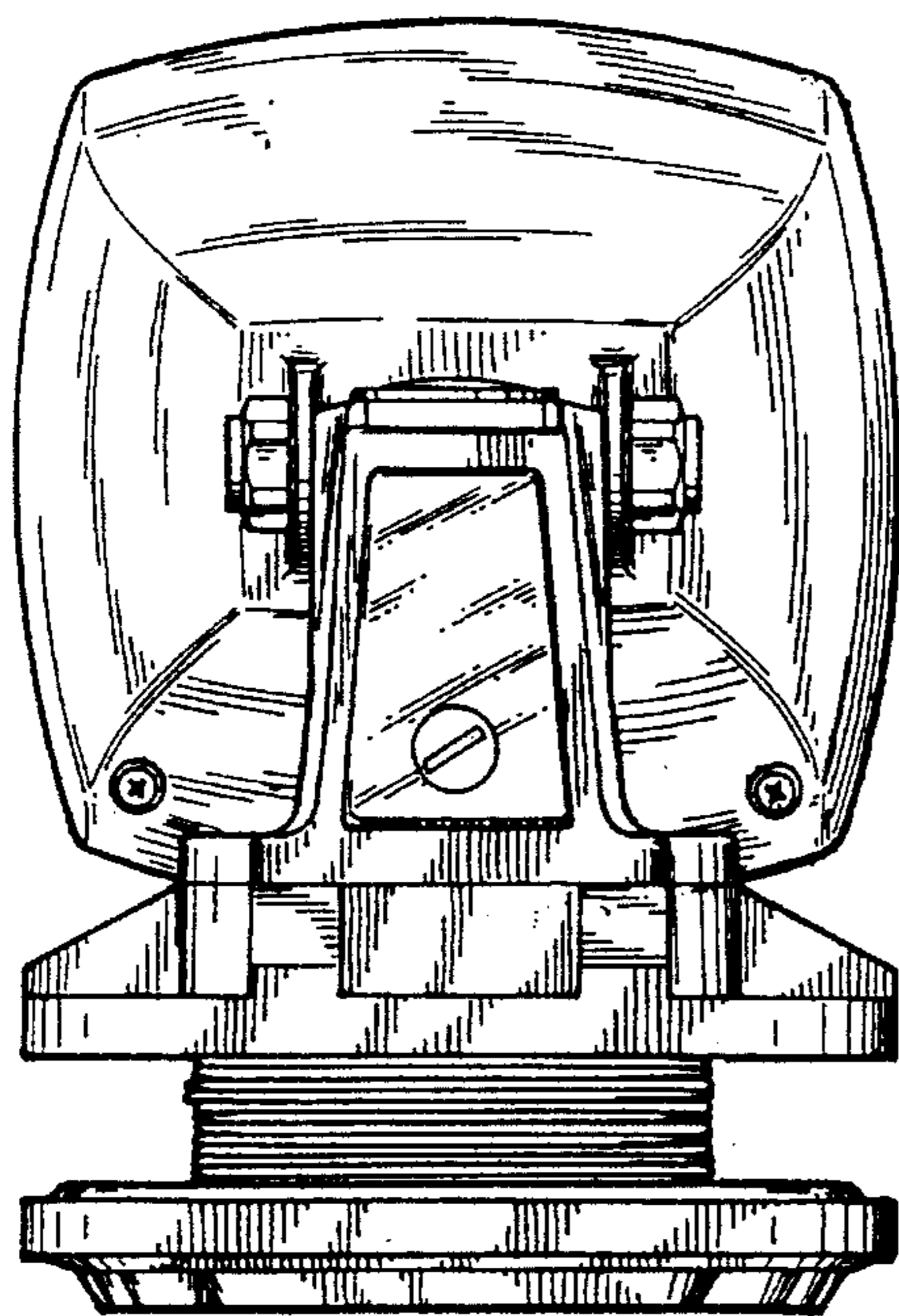


FIG. 5