



US00D370732S

United States Patent [19] Smith

[11] **Patent Number:** **Des. 370,732**
[45] **Date of Patent:** ****Jun. 11, 1996**

[54] **COMBINED AIMING AND HOLDING APPARATUS FOR A DENTAL RADIOGRAPHY SENSOR**

[76] Inventor: **Bernard Smith**, 7502 Lisburne Rd., Baltimore, Md. 21208

[**] Term: **14 Years**

[21] Appl. No.: **37,881**

[22] Filed: **Apr. 21, 1995**

[52] **U.S. Cl.** **D24/176; D24/161**

[58] **Field of Search** **D24/161, 176-82; 433/80, 213-4, 229; 378/167-70**

[56] **References Cited**

U.S. PATENT DOCUMENTS

Re. 25,773	5/1965	Medwedeff et al.	250/70
D. 246,665	12/1977	Updegrave	D24/2
D. 283,157	3/1986	Maldonado et al.	D24/161
1,657,230	1/1928	Simonton .	
1,923,669	8/1933	Harrison	250/34
1,947,014	2/1934	Levy	250/34
2,090,933	8/1937	Bolin	378/170
2,245,395	6/1941	Goldberg	250/64
3,092,721	6/1963	Medwedeff et al.	250/70
3,473,026	10/1969	Updegrave	378/170
4,554,676	11/1985	Maldonado et al.	378/170
4,815,117	3/1989	Waldo	378/170 X
5,289,522	2/1994	Kanbar et al.	378/170
5,327,477	7/1994	Levy	378/168

Primary Examiner—M. H. Tung
Attorney, Agent, or Firm—Foley & Lardner

[57] **CLAIM**

The ornamental design for a combined aiming and holding apparatus for dental radiography sensor, as shown and described.

DESCRIPTION

FIG. 1 is a top perspective view of a combined aiming and holding apparatus for dental radiography sensor, showing my new design;
 FIG. 2 is a side elevation thereof, the opposite side being a mirror image thereof;
 FIG. 3 is a bottom plan view thereof;
 FIG. 4 is a top plan view thereof;
 FIG. 5 is an end elevation as seen from the left of FIG. 1;
 FIG. 6 is an end elevation as seen from the right of FIG. 1;
 FIG. 7 is a top perspective view of a second embodiment thereof;
 FIG. 8 is a side elevation thereof, the opposite side being a mirror image thereof;
 FIG. 9 is a bottom plan view thereof;
 FIG. 10 is a top plan view thereof;
 FIG. 11 is an end elevation as seen from the left of FIG. 7; and,
 FIG. 12 is an end elevational view as seen from the right of FIG. 7.

1 Claim, 4 Drawing Sheets

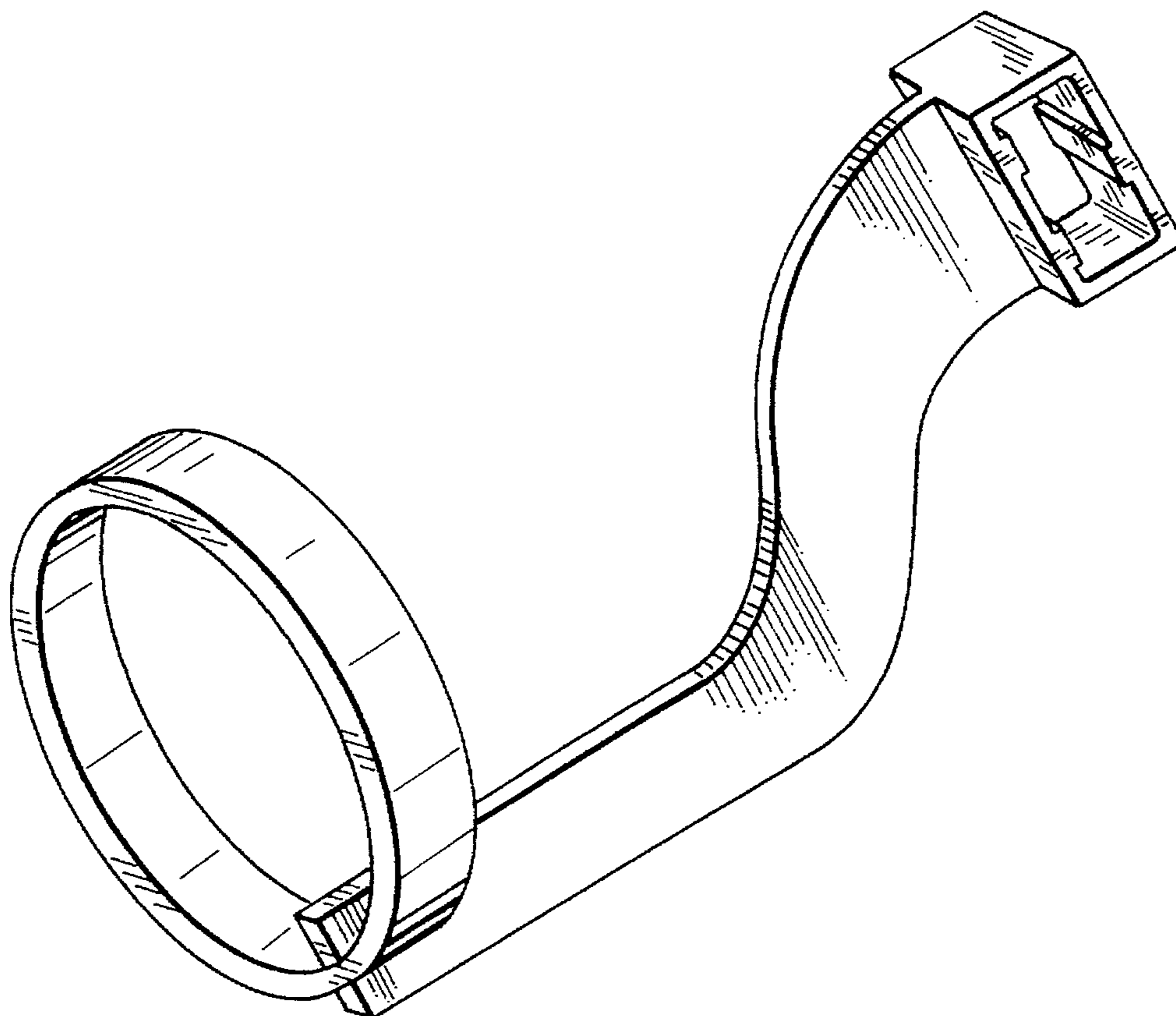


FIG. 1

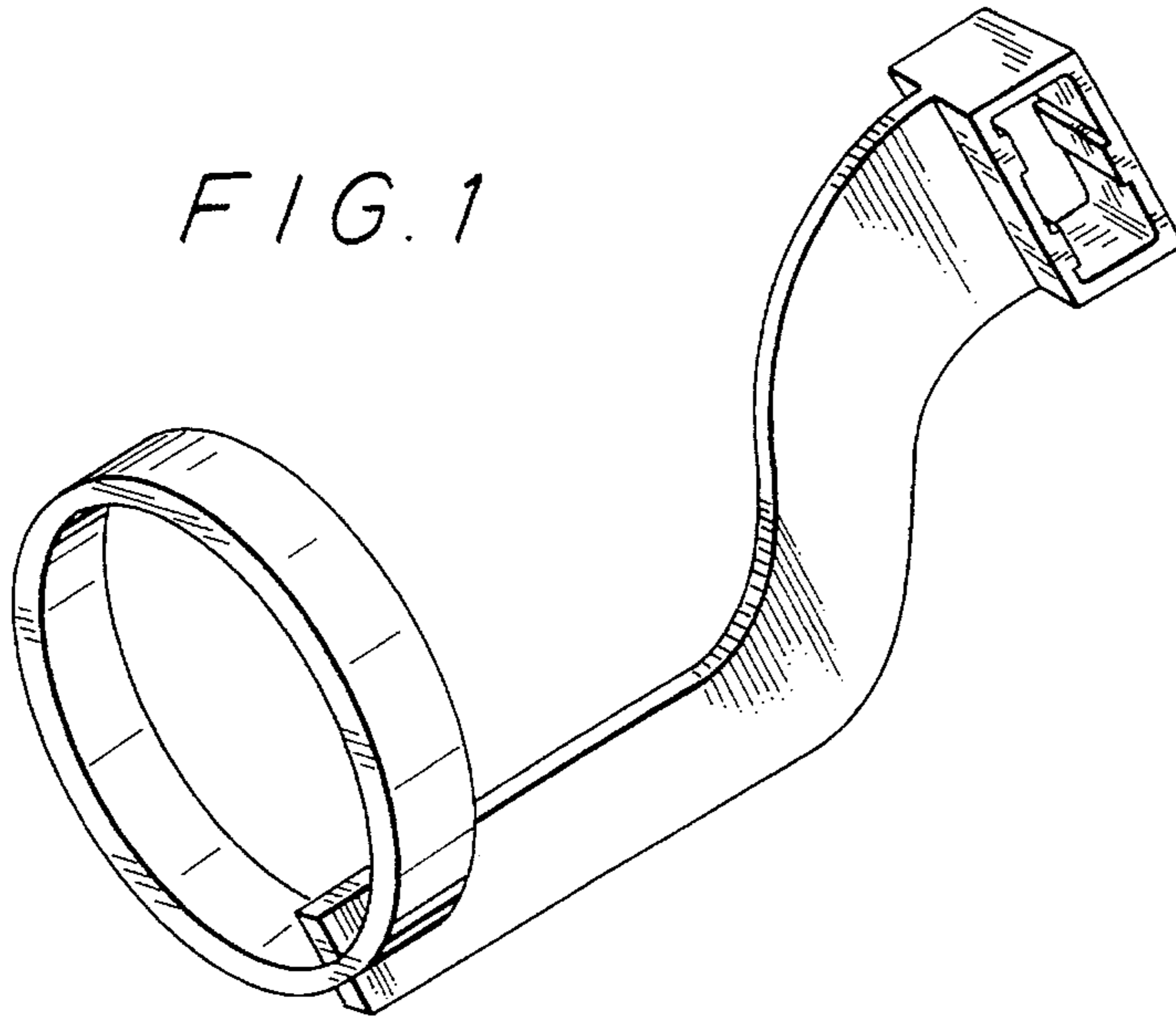


FIG. 2

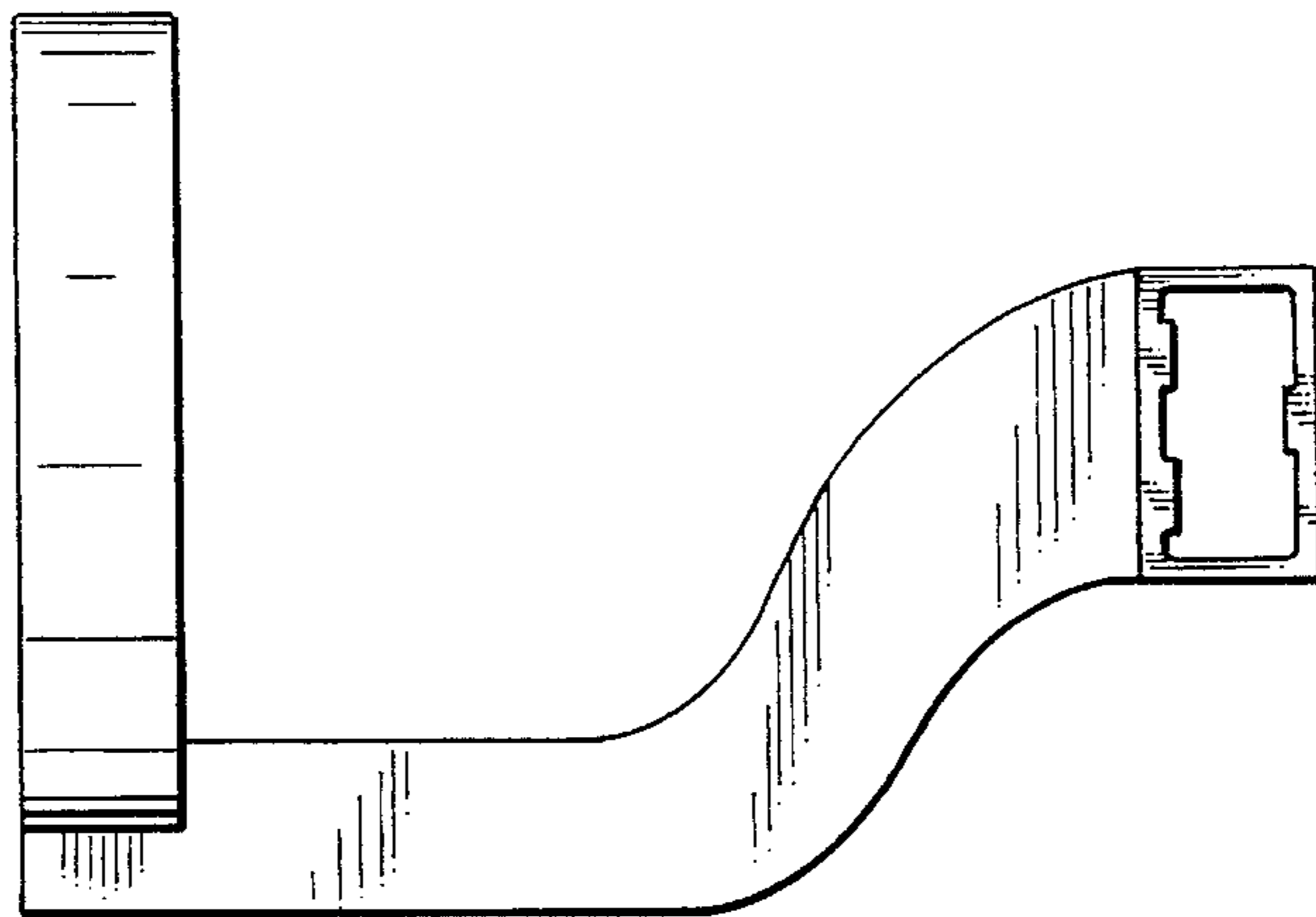


FIG. 3

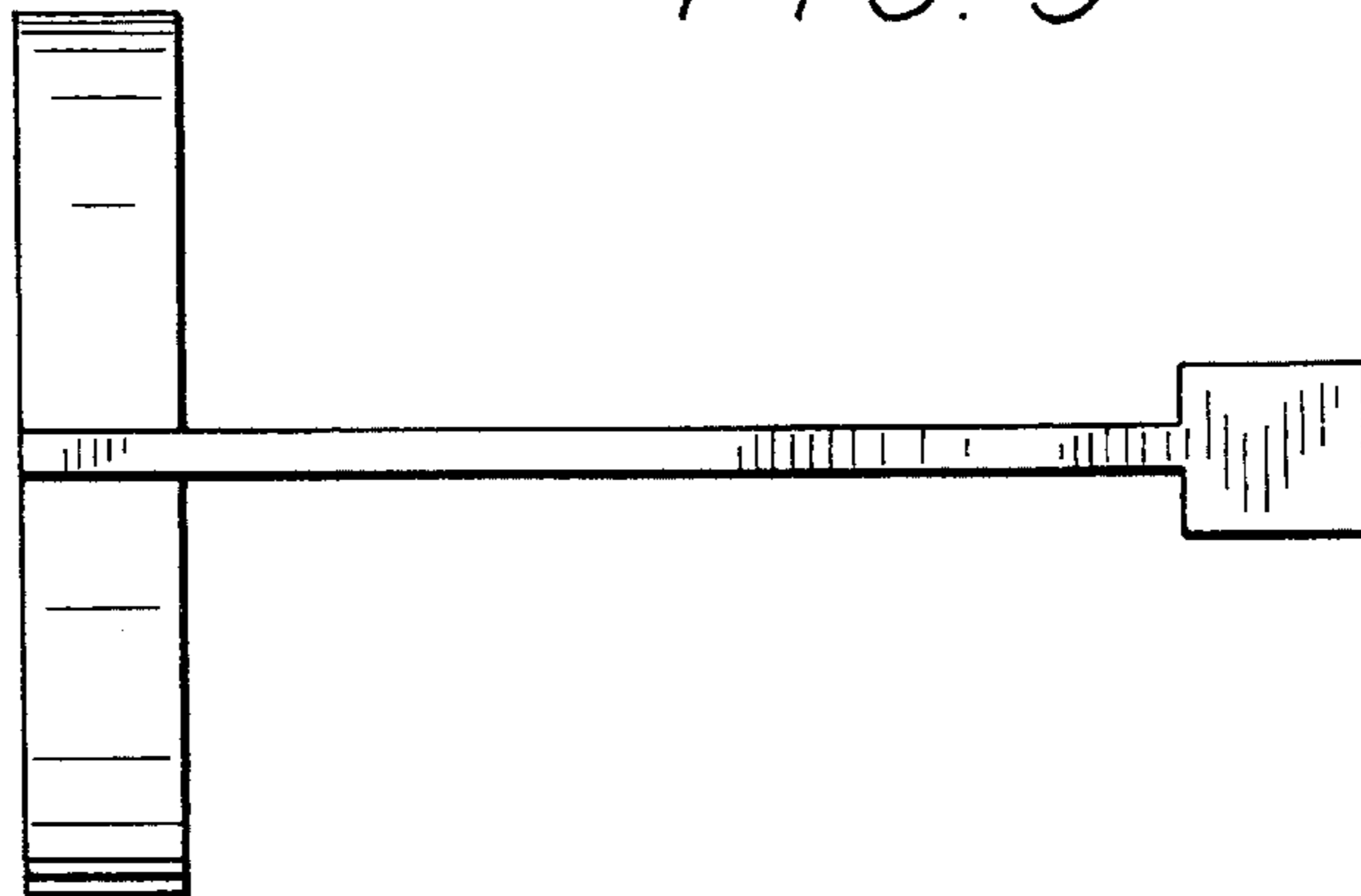


FIG. 4

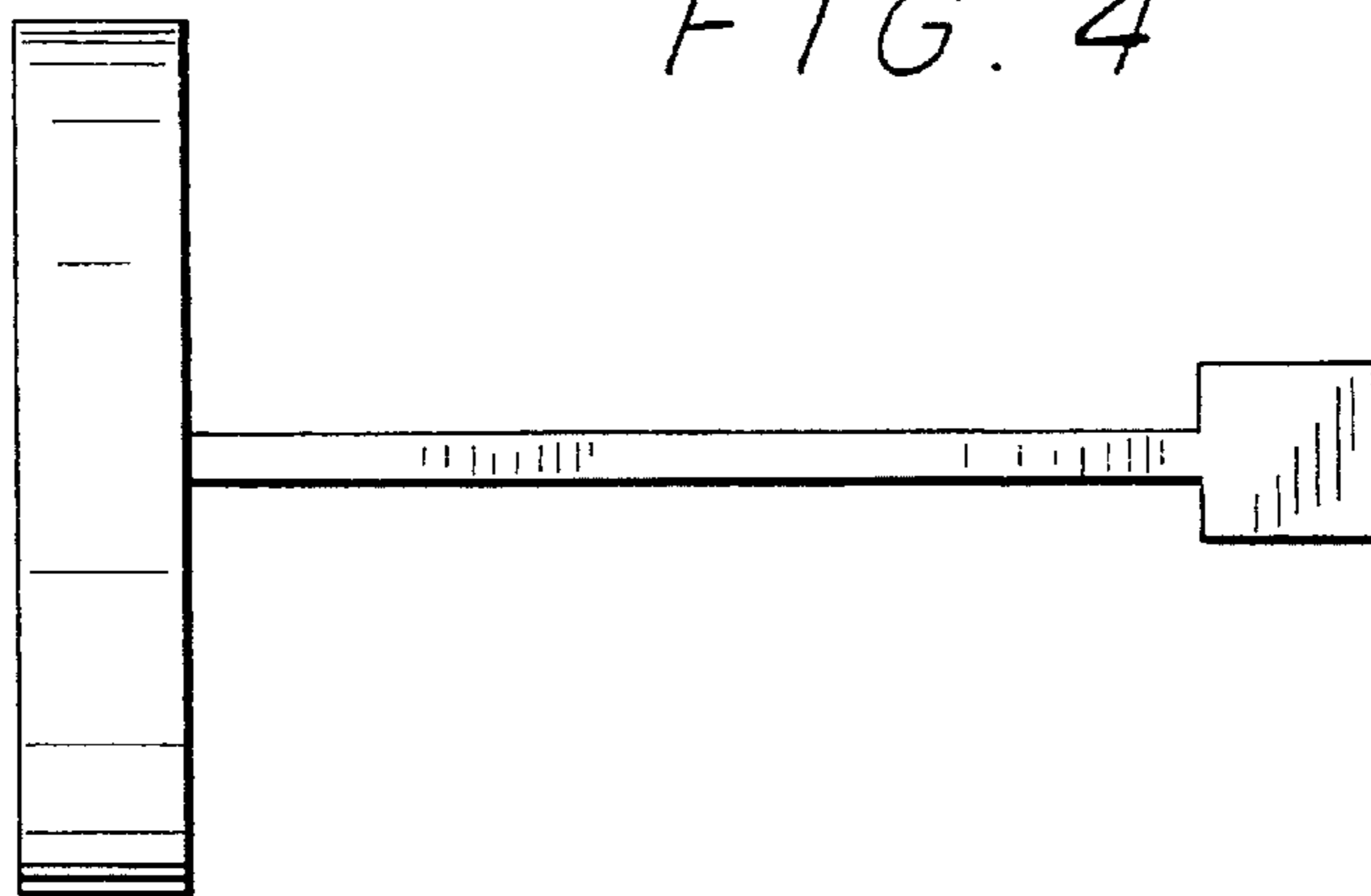


FIG. 5

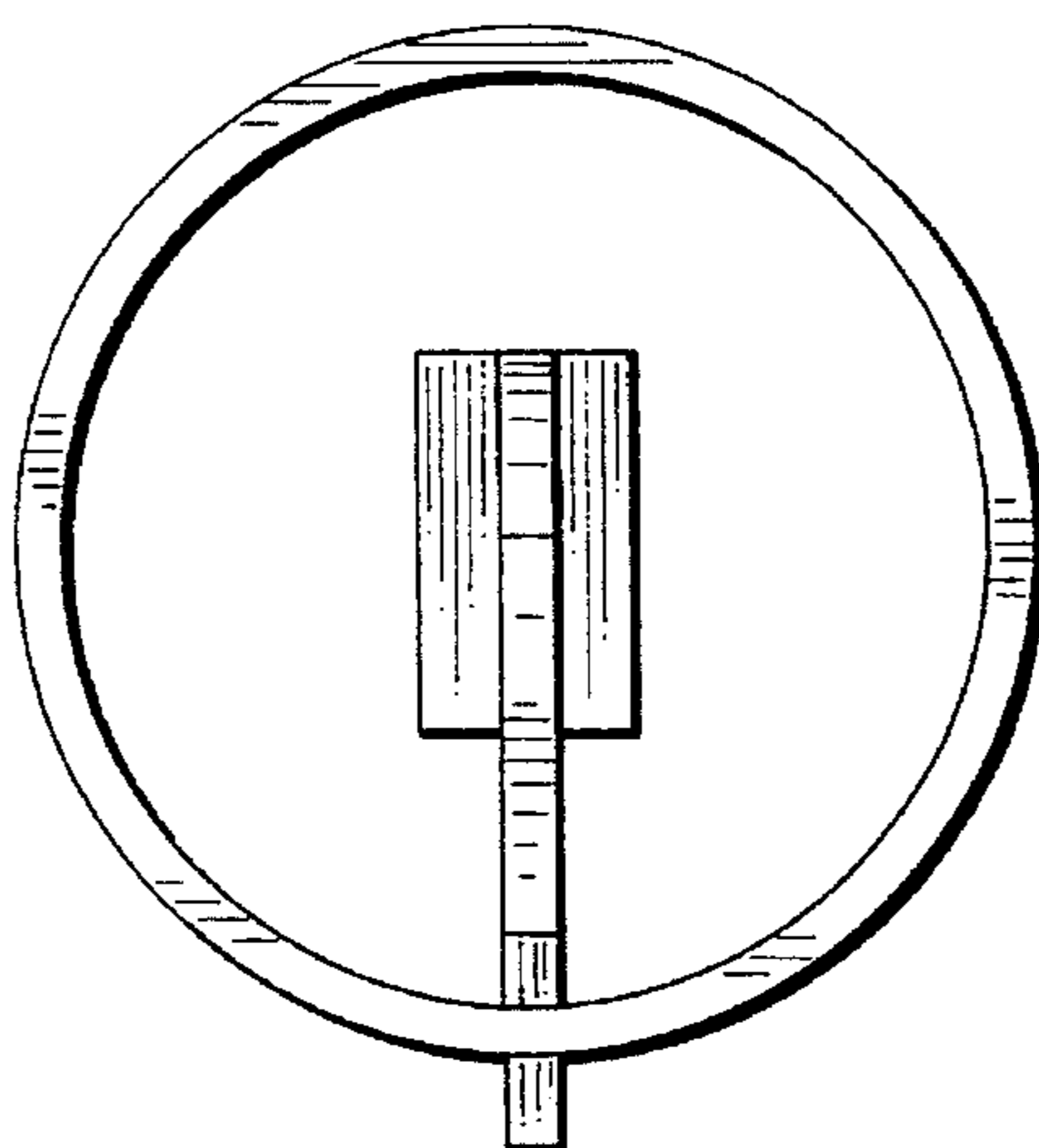
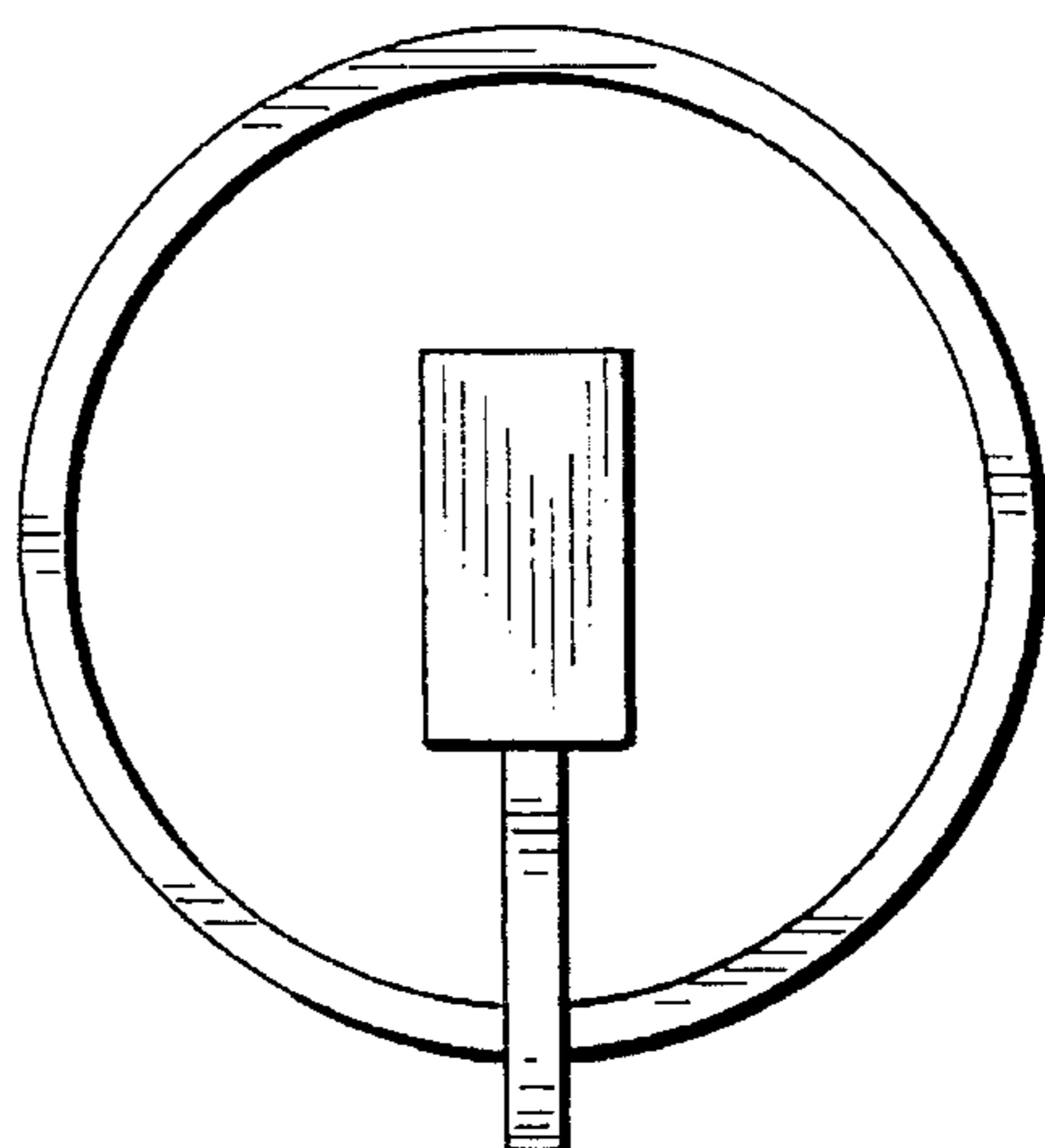


FIG. 6



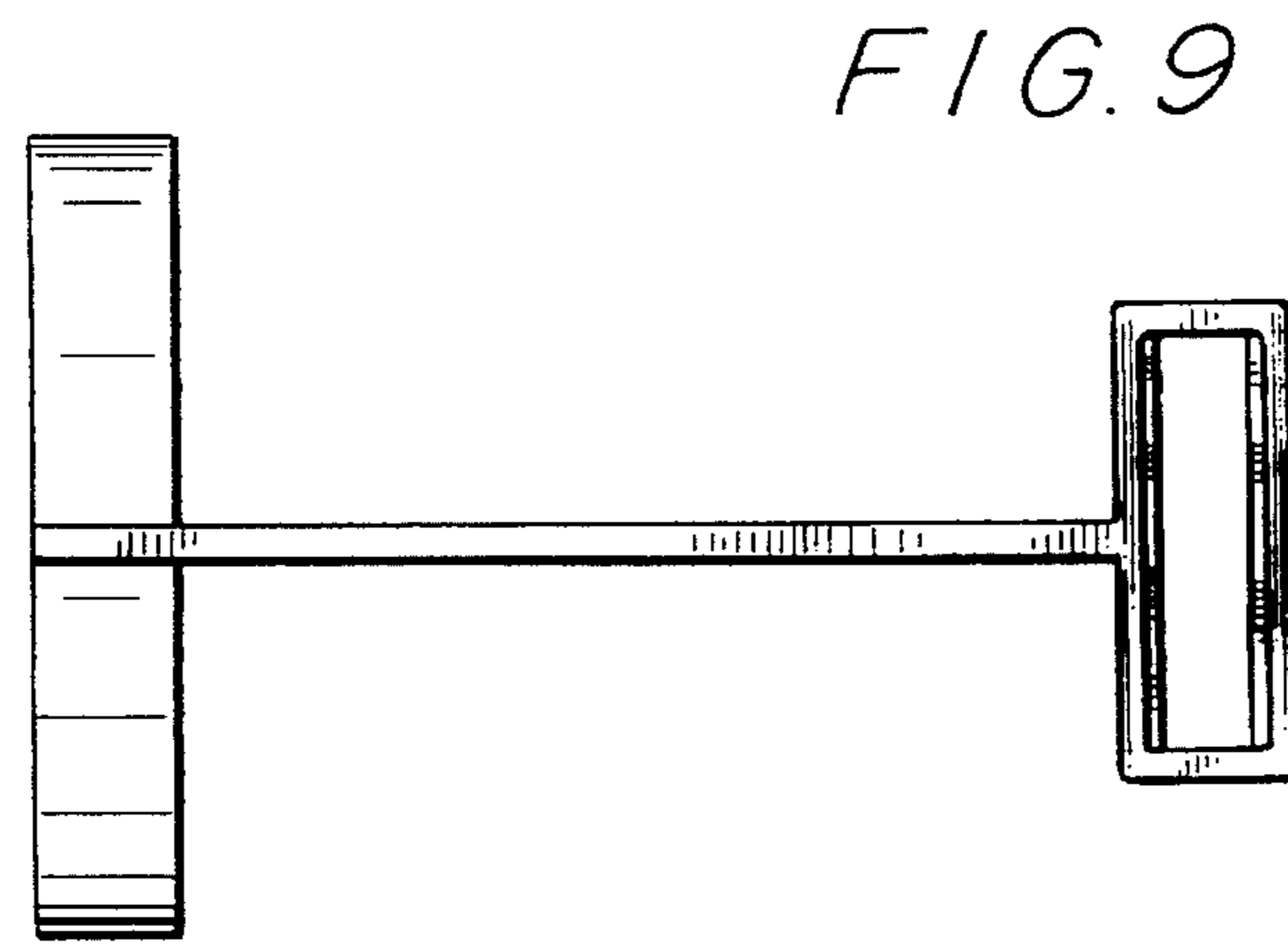
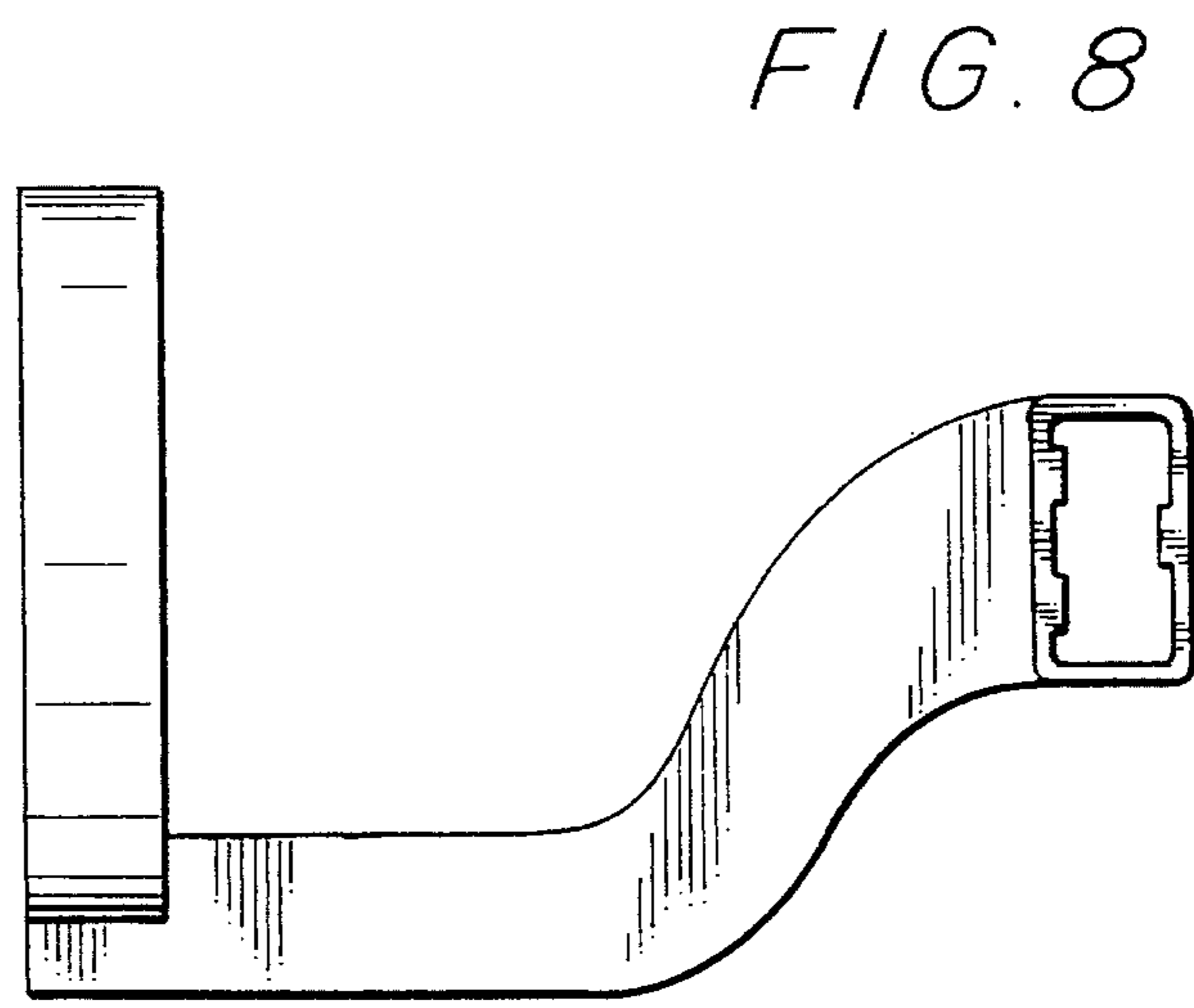
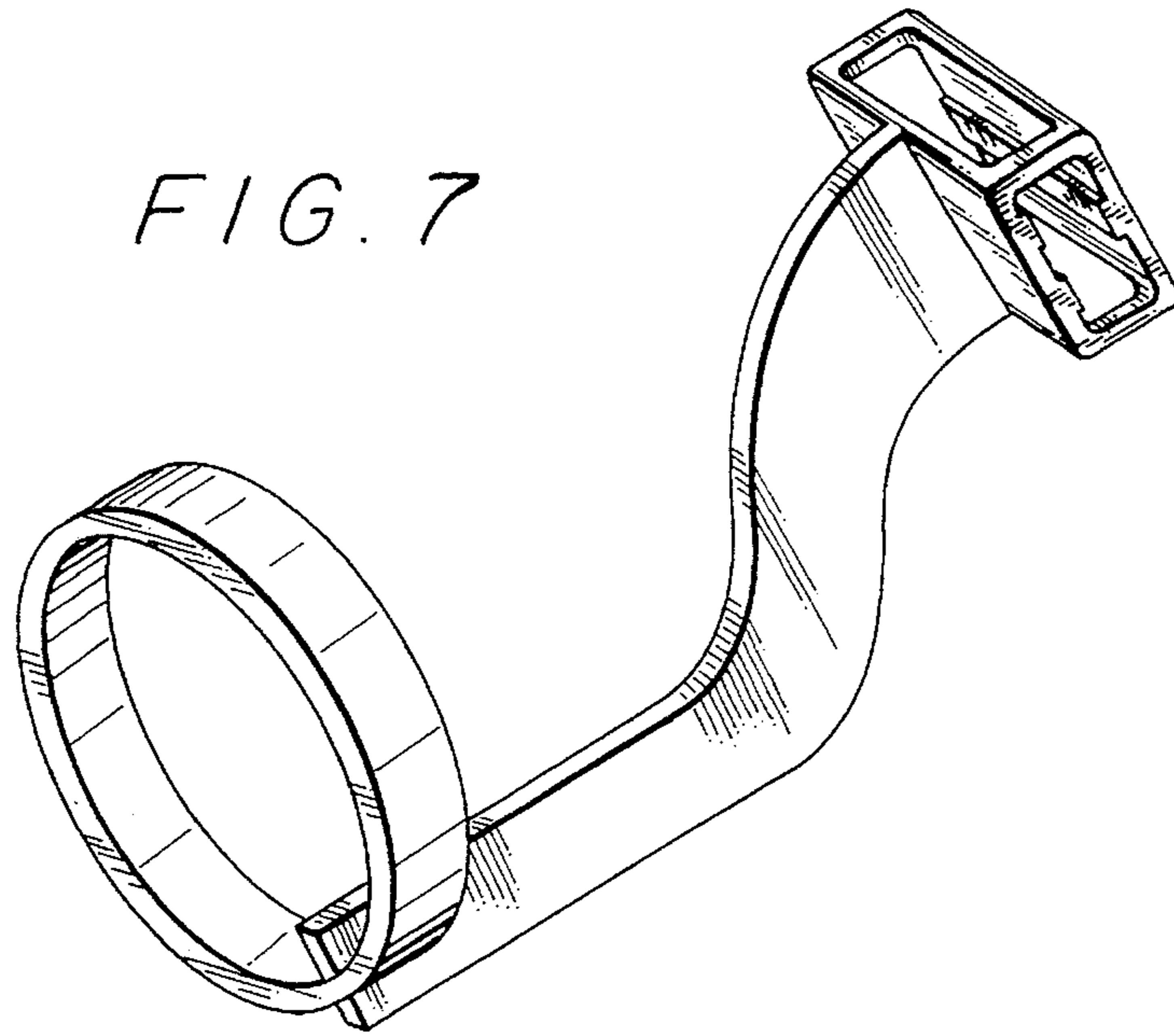


FIG. 10

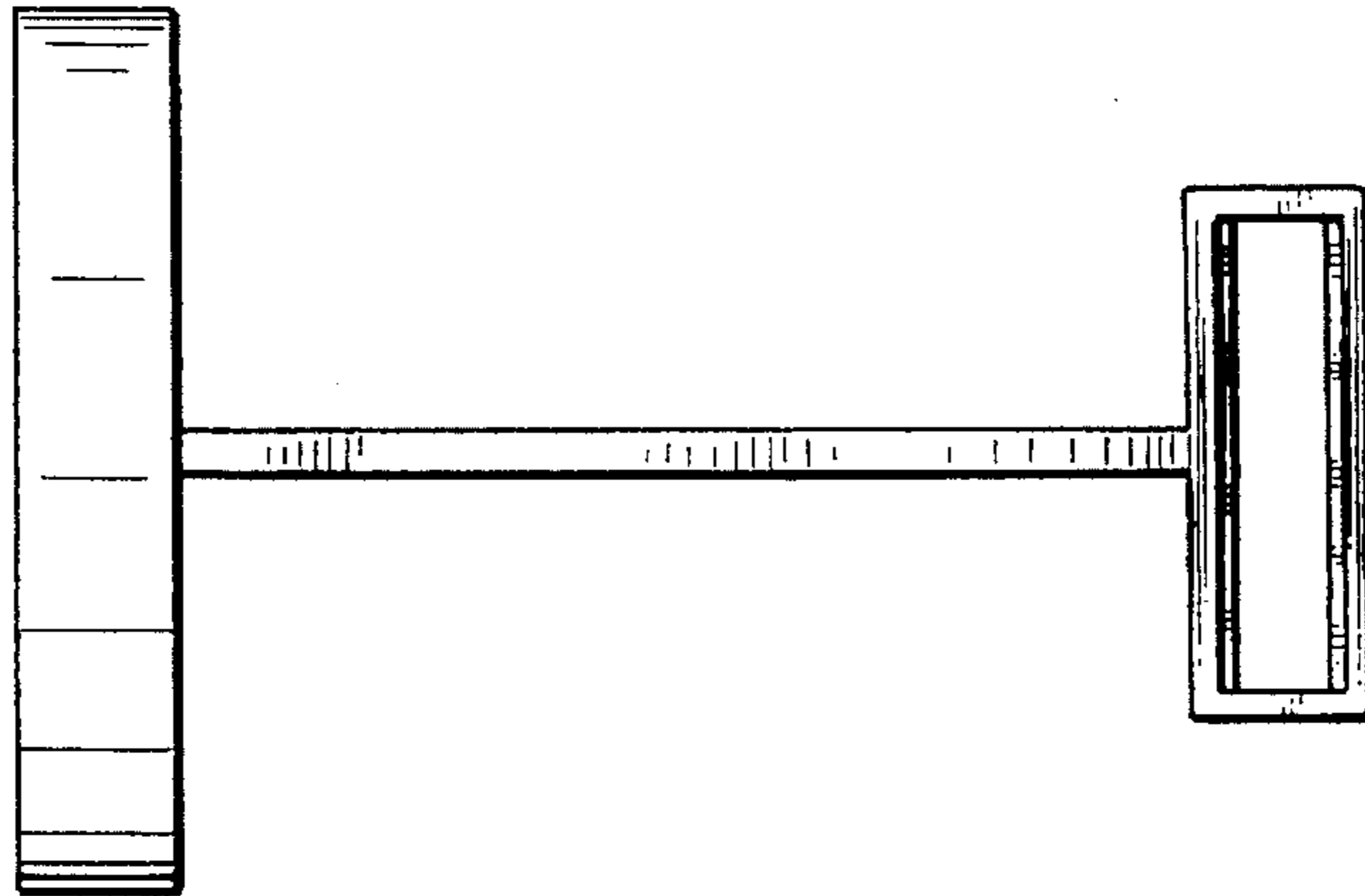


FIG. 11

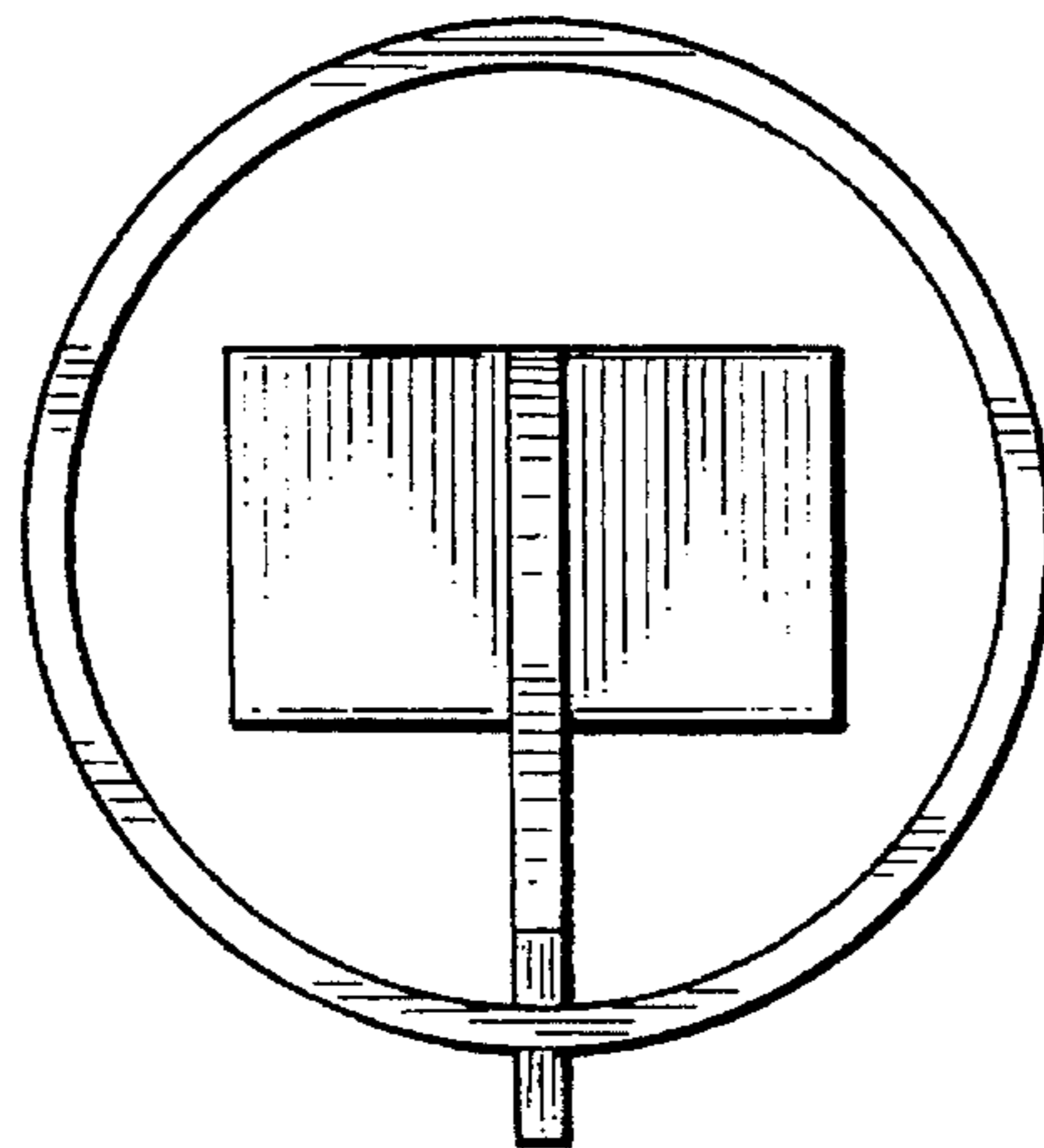


FIG. 12

