



US00D370728S

United States Patent [19]

[11] Patent Number: Des. 370,728

Edgar et al.

[45] Date of Patent: **Jun. 11, 1996

[54] CONTAINER FOR ORTHOPEDIC CASTING MATERIAL

[75] Inventors: Jason L. Edgar, Bloomington; Michael J. Jarzynski, Roseville; James E. Nash, St. Paul, all of Minn.

[73] Assignee: Minnesota Mining and Manufacturing Company, St. Paul, Minn.

[**] Term: 14 Years

[21] Appl. No.: 17,854

[22] Filed: Jan. 24, 1994

Related U.S. Application Data

[63] Continuation-in-part of Ser. No. 98,617, Jul. 28, 1992, abandoned, which is a continuation-in-part of Ser. No. 964,511, Oct. 21, 1992, abandoned, and a continuation-in-part of Ser. No. 40,624, Mar. 31, 1993, abandoned, which is a continuation-in-part of Ser. No. 964,511, Oct. 21, 1992, abandoned.

[52] U.S. Cl. D24/121; D7/609

[58] Field of Search D24/232, 131; D9/432, 423; D7/609, 610; 206/233, 447, 440, 494, 438; 220/337, 334, 354; 229/122

[56] References Cited

U.S. PATENT DOCUMENTS

Re. 26,488	11/1968	Bull	222/263
D. 83,962	4/1931	Flanagan	D7/609 X
D. 175,521	9/1955	Reinecke	D7/609
D. 292,888	11/1987	Burns et al.	D9/432
172,039	1/1876	Lazarevitch	
393,874	12/1888	Wood	
1,123,470	1/1915	Betten	
1,208,701	12/1916	Trenner	
1,671,825	5/1928	Johnson	
1,692,504	11/1928	Hayden	206/440
1,899,625	2/1933	Metts	
2,017,176	10/1935	Andrews	229/17
2,367,417	1/1945	Milem	206/63.2
2,446,308	8/1948	Smith	229/14
2,633,006	3/1953	Taylor	62/114
2,672,257	3/1954	Simmonds	220/32

2,798,522	7/1957	Hurt	150/2.1
2,999,275	9/1961	Blume, Jr.	18/55
3,380,646	4/1968	Doyen et al.	229/57
3,454,197	7/1969	Thompson	222/105
3,575,225	4/1971	Muheim	150/8
3,580,472	5/1971	Stawski	206/438 X
3,629,905	12/1971	Cote	24/30.5

(List continued on next page.)

FOREIGN PATENT DOCUMENTS

0004396	10/1979	European Pat. Off.	B65D 31/14
1-167055	6/1989	Japan	B65D 45/02
1351196	4/1974	United Kingdom	F16K 1/16
WO94/08541	4/1994	WIPO	A61F 15/00

OTHER PUBLICATIONS

3M Data Sheet entitled "Magnet Material B-1003 Preliminary Product Information", Brochure No. 80-6105-6698-8; 3M 1990.

3M Data Sheet entitled "Scotch™ 1316/1317 Magnet Tape—Pressure-sensitive adhesive, high energy level magnetic material"; Brochure No. 80-6105-6671-5; 3M 1990. DuPont Brochure entitled "Surlyn® Ionomer Resin—Selector Guide"© 1990.

Primary Examiner—Louis S. Zarfes

Assistant Examiner—I. Simmons

Attorney, Agent, or Firm—Gary L. Griswold; Walter N. Kim; Stephen W. Bauer

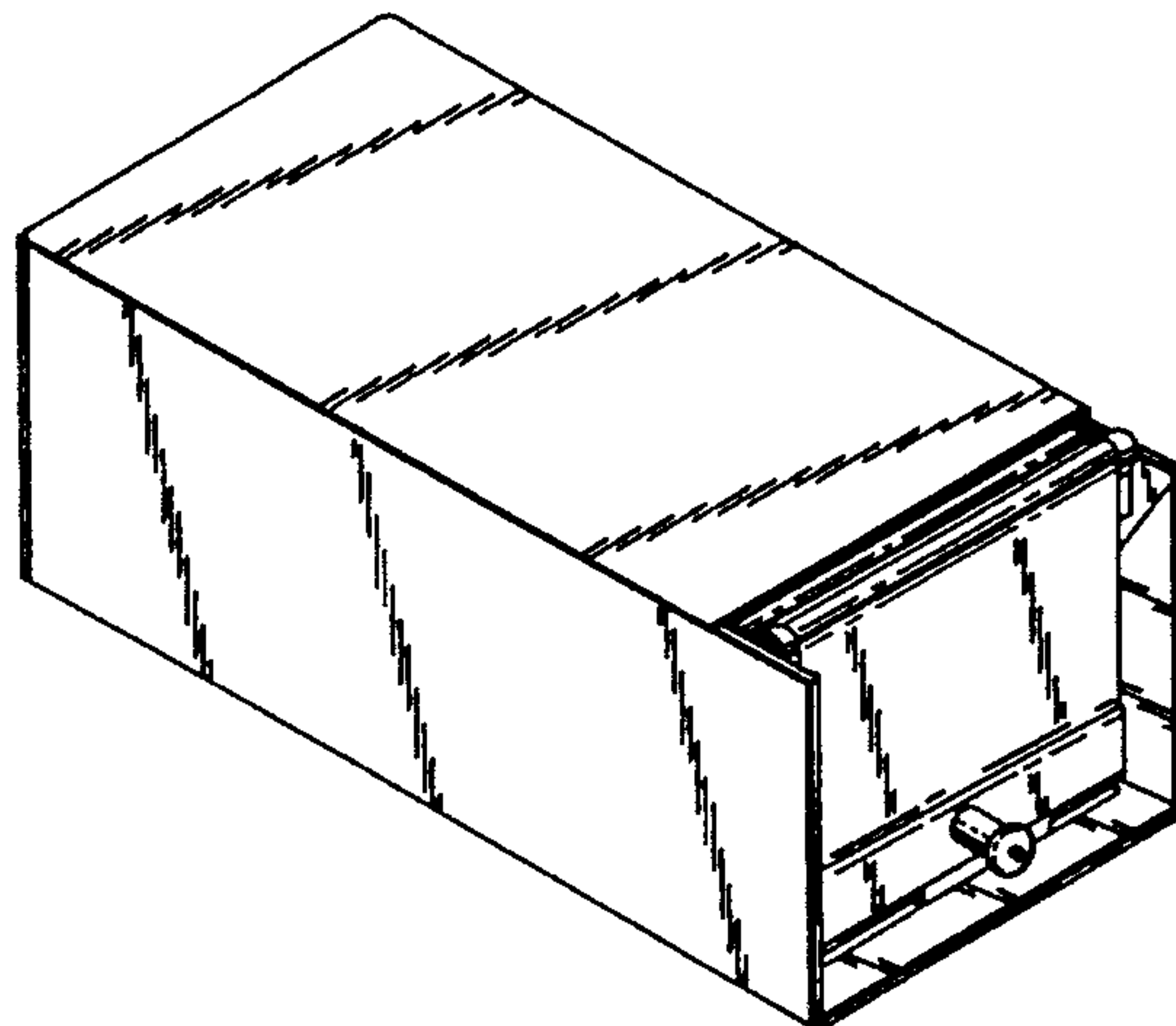
[57] CLAIM

The ornamental design for a container for orthopedic casting material, as shown and described.

DESCRIPTION

FIG. 1 is a perspective view of a container for orthopedic casting material showing our new design; FIG. 2 is a top view thereof; FIG. 3 is a front view thereof; FIG. 4 is a left side view thereof; FIG. 5 is a bottom view thereof; FIG. 6 is a back view thereof; and, FIG. 7 is a right side view thereof.

1 Claim, 4 Drawing Sheets



U.S. PATENT DOCUMENTS					
			4,732,299	3/1988	Hoyt 222/94
			4,770,229	9/1988	Komori et al. 164/440
			4,770,299	9/1988	Parker 206/409
			4,774,937	10/1988	Scholz et al. 128/90
			4,790,436	12/1988	Nakamura 206/449
			4,848,575	7/1989	Nakamura et al. 206/449
			4,869,046	9/1989	Parker 53/416
			4,899,738	2/1990	Parker 128/90
			4,903,837	2/1990	Duello 206/440
			4,968,542	11/1990	Gasper et al. 428/76
			5,003,970	4/1991	Parker et al. 128/90
			5,005,707	4/1991	Hustad et al. 206/632
			5,027,803	7/1991	Scholz et al. 128/89
			5,145,091	9/1992	Meyers 221/45
			5,148,916	9/1992	Tillyer, Sr. 206/352
			5,178,300	1/1993	Haviv et al. 222/95
3,749,301	7/1973	Peckar 229/44			
3,795,355	3/1974	Gerstein 225/106			
3,961,721	6/1976	Gordon et al. 220/230			
4,033,013	7/1977	Peterson 24/201			
4,034,890	7/1977	Baller D7/609 X			
4,176,746	12/1979	Kooi 206/438			
4,193,513	3/1980	Bull, Jr. 222/1			
4,269,315	5/1981	Boyce 206/438			
4,451,321	5/1984	McKelvey 156/382			
4,598,826	7/1986	Shinbach 206/620			
4,609,578	9/1986	Reed 428/76			
4,667,661	5/1987	Scholz et al. 128/90			
4,672,688	6/1987	Kalkipsakis 383/58			
4,673,084	6/1987	Hubbard et al. 206/438			
4,674,676	6/1987	Sandel et al. 206/438 X			

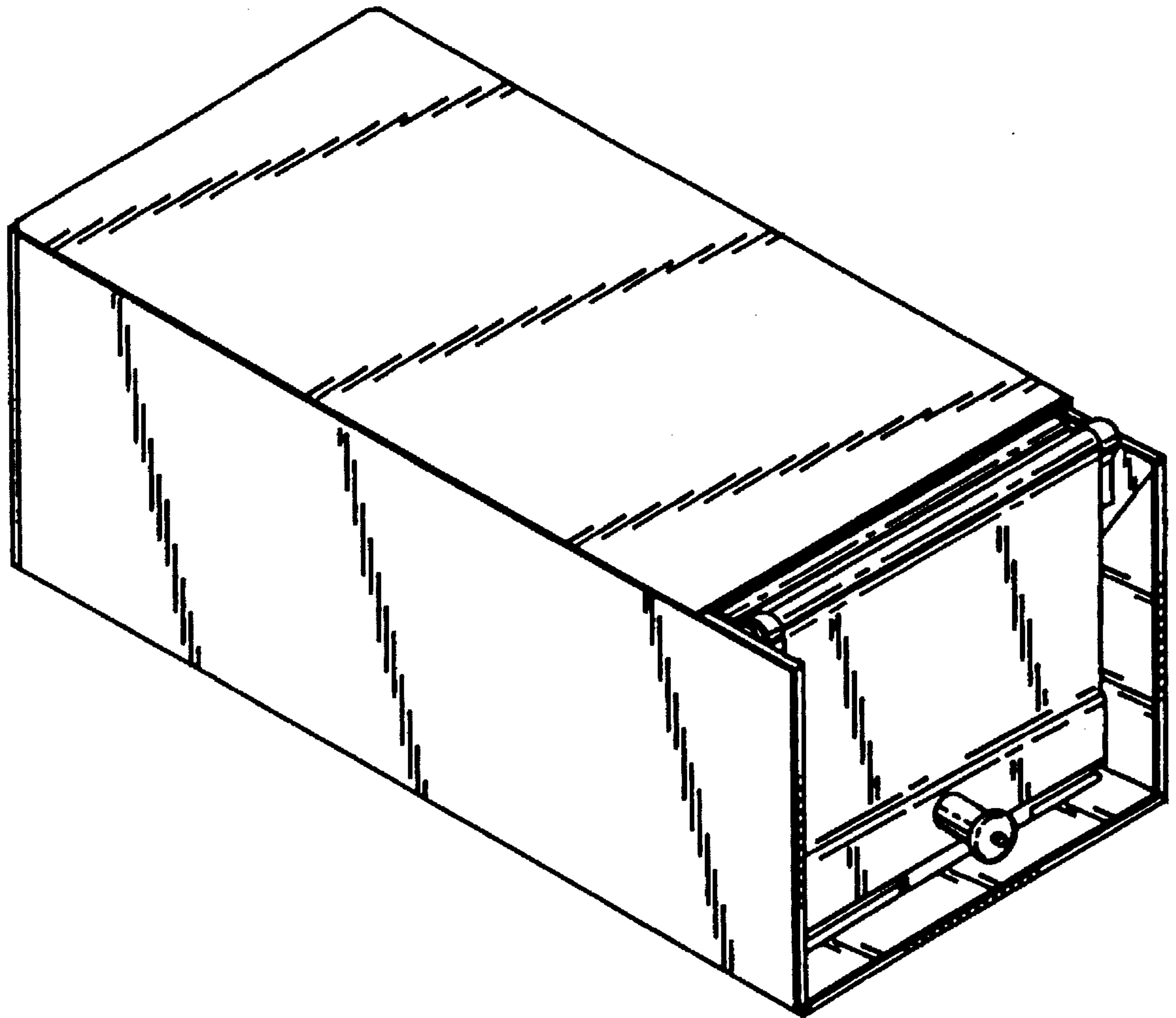


FIG.1

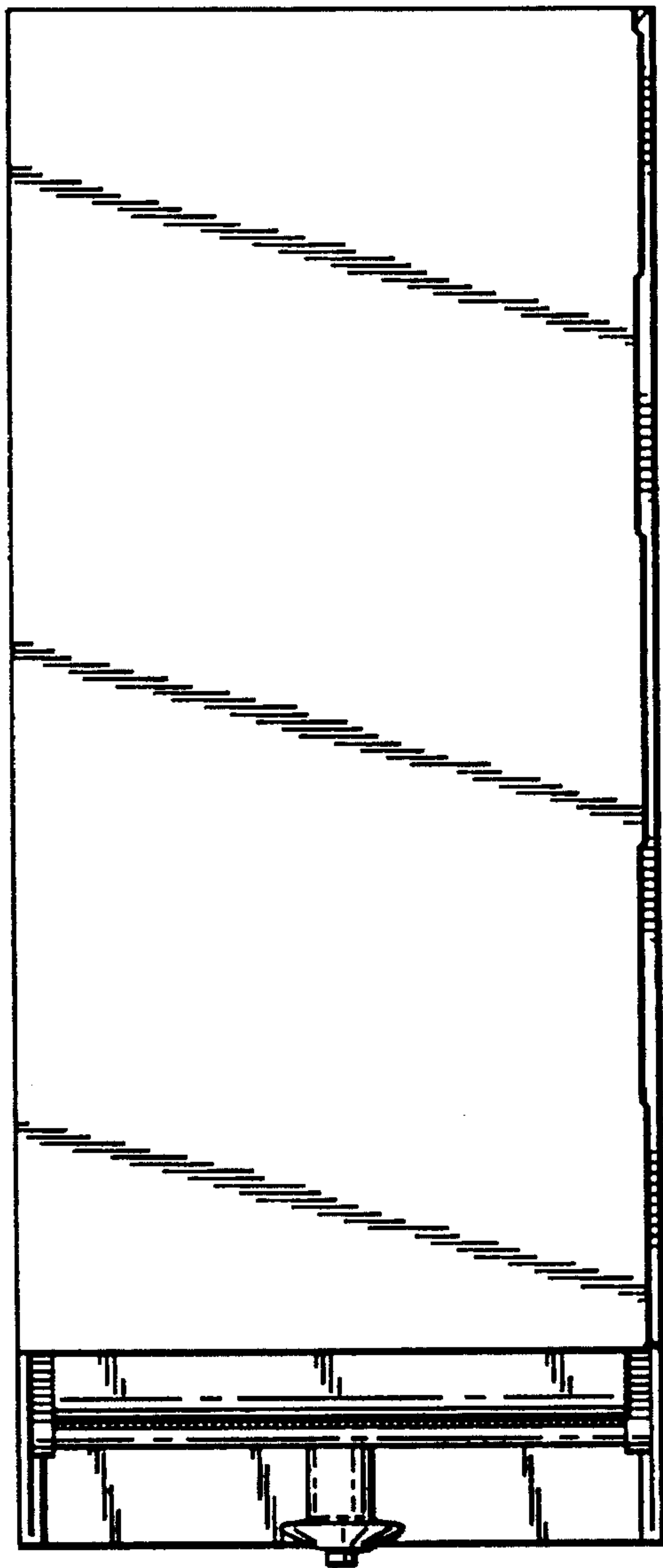


FIG. 2

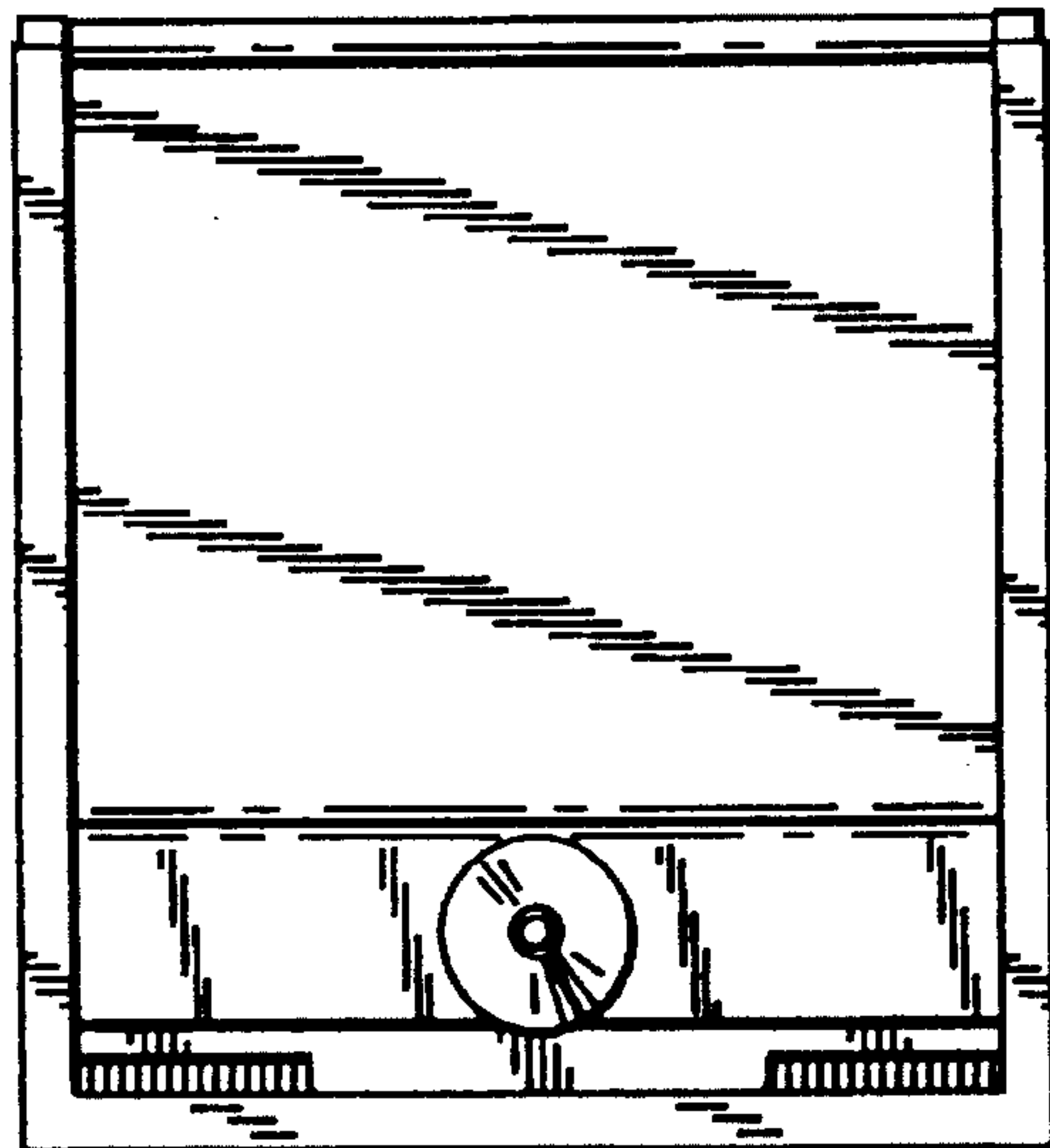


FIG. 3

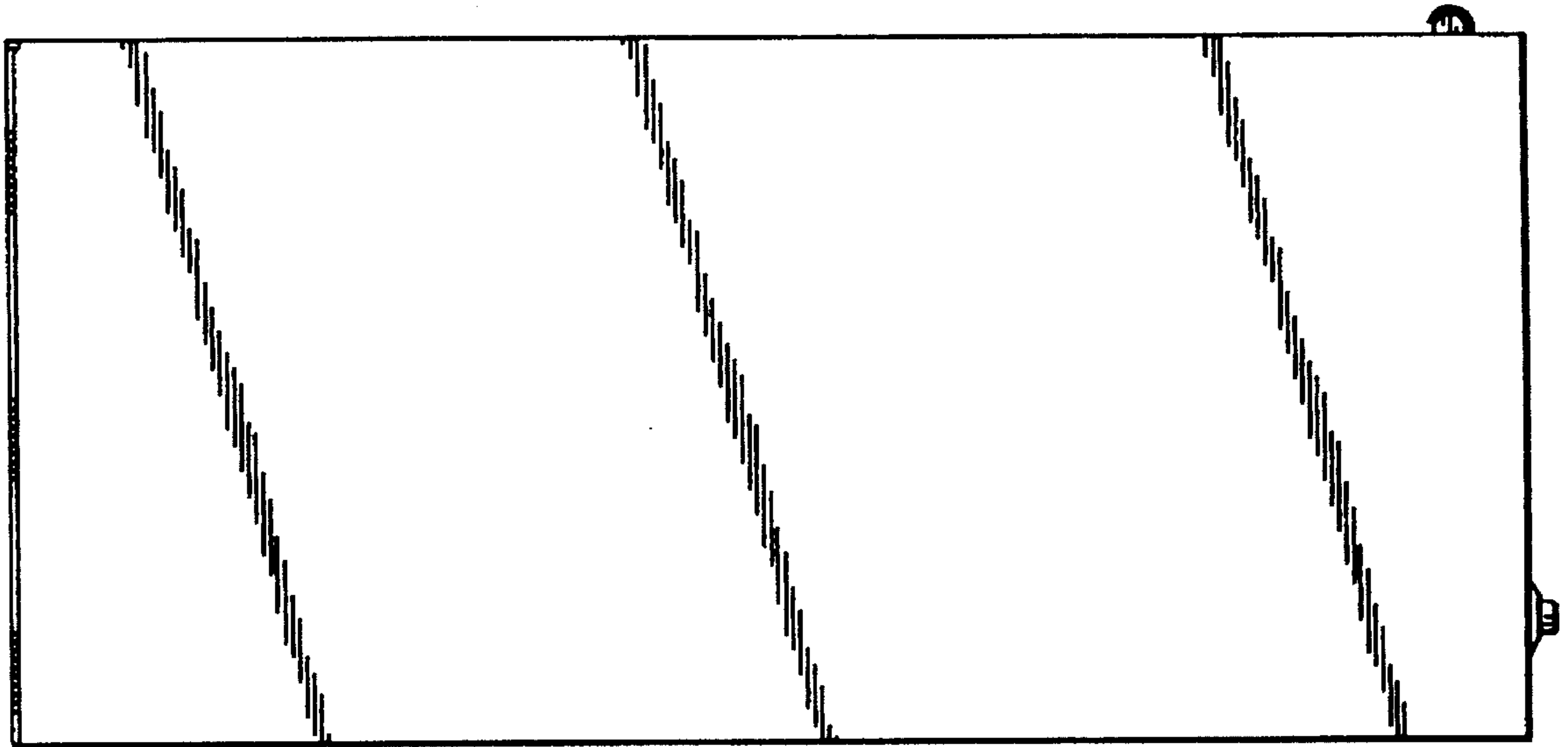


FIG. 4

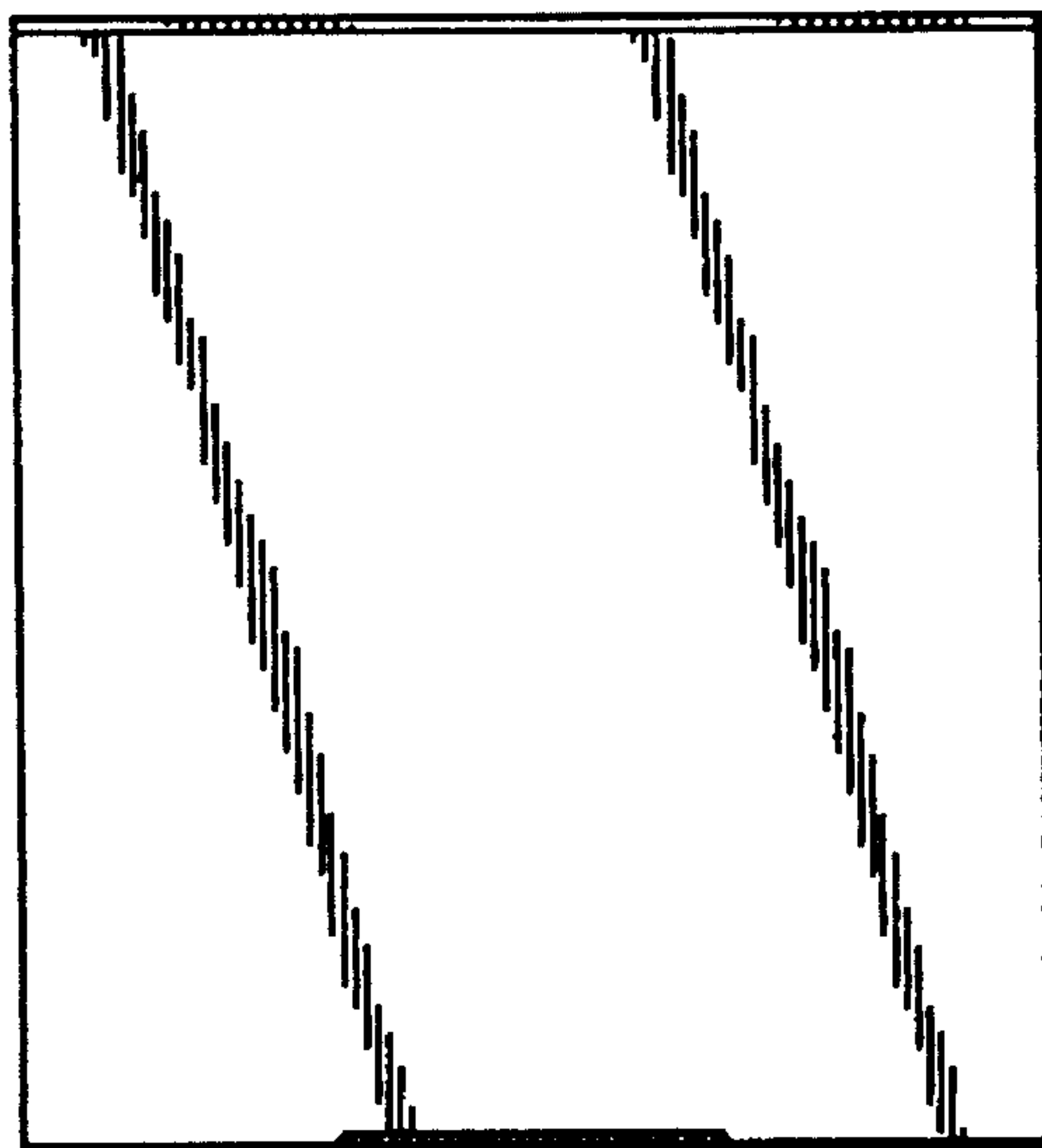


FIG. 6

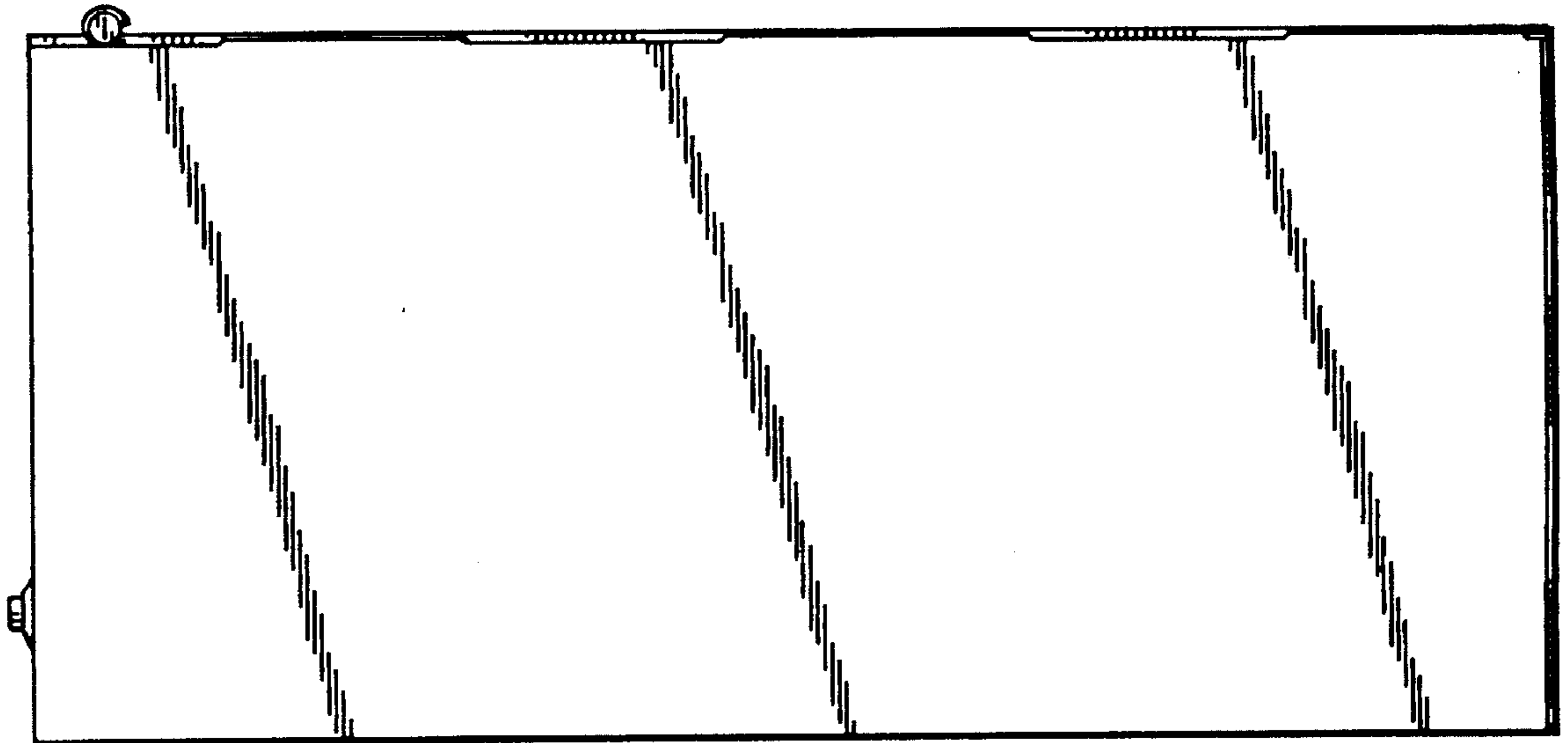


FIG. 7

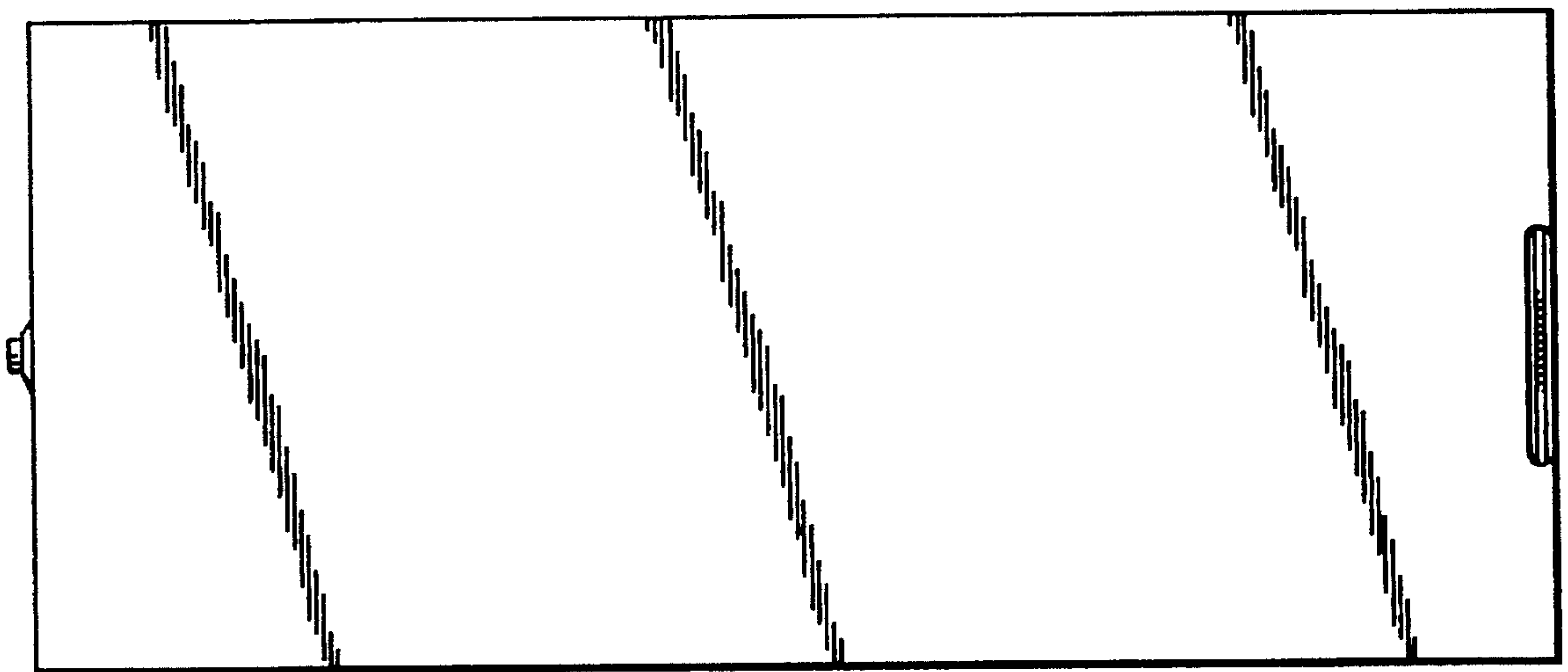


FIG. 5