



US00D370727S

United States Patent [19]

Atkinson et al.

[11] Patent Number: **Des. 370,727**

[45] Date of Patent: ****Jun. 11, 1996**

[54] CASSETTE FOR A LAVAGE PUMP

[75] Inventors: **Robert W. Atkinson**, Dover; **John H. Baker**, New Philadelphia; **Jeffrey B. Boggs**; **Christopher A. Finn**, both of Dover; **Kim R. Harmon**, Mineral City; **Scott B. Miller**; **J. Eric Swartz**, both of Dover, all of Ohio

[73] Assignee: **Zimmer, Inc.**, Warsaw, Ind.

[**] Term: **14 Years**

[21] Appl. No.: **35,456**

[22] Filed: **Feb. 28, 1995**

[52] U.S. Cl. **D24/111**

[58] Field of Search D24/112, 111;
604/34, 30, 151, 150, 153, 200, 250; 128/DIG. 12,
DIG. 13; 417/477, 479

4,940,457	7/1990	Olson	604/30
5,019,038	5/1991	Linden	604/49
5,041,096	8/1991	Beuchat et al.	604/118
5,106,366	4/1992	Steppe	604/30
5,125,891	6/1992	Hossain et al.	604/34
5,154,499	10/1992	Atkinson et al.	312/244
5,195,960	3/1993	Hossain et al.	604/34
5,267,956	12/1993	Beuchat	604/30
5,282,787	2/1994	Worrich	604/30
5,295,825	3/1994	Betush	433/28
5,328,478	7/1994	McVay	604/147
5,338,194	8/1994	Strohmaier	433/82
5,431,626	7/1995	Bryant et al.	128/DIG. 12 X

Primary Examiner—Louis S. Zarfes

Assistant Examiner—I. Simmons

Attorney, Agent, or Firm—Todd A. Dawson

[57] CLAIM

The ornamental design for a cassette for a lavage pump, as shown and described.

DESCRIPTION

FIG. 1 is a perspective view of a cassette for a lavage pump showing our new design;

FIG. 2 is a top view thereof;

FIG. 3 is a bottom view thereof;

FIG. 4 is an end view thereof;

FIG. 5 is an opposing end view thereof;

FIG. 6 is a side view thereof; and,

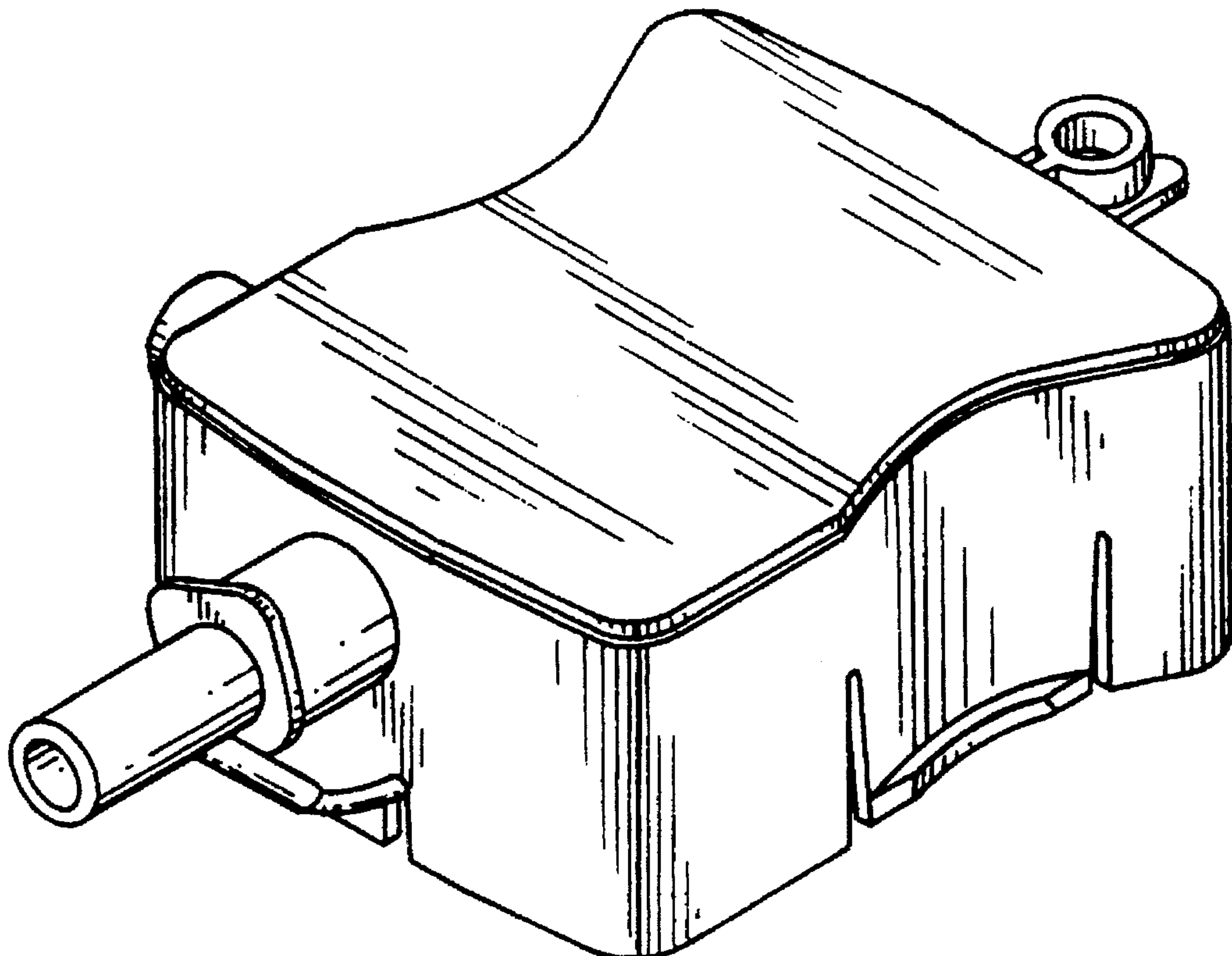
FIG. 7 is an opposing side view thereof.

1 Claim, 2 Drawing Sheets

[56] References Cited

U.S. PATENT DOCUMENTS

D. 238,711	2/1976	Hudspith	D24/111
4,561,431	12/1985	Atkinson	128/66
4,627,833	12/1986	Cook	604/34
4,635,621	1/1987	Atkinson	128/66
4,713,051	12/1987	Steppe et al.	604/30
4,755,168	7/1988	Romanelli et al.	604/34
4,770,632	9/1988	Ryder et al.	433/28
4,790,816	12/1988	Sundblom et al.	604/31
4,820,265	4/1989	DeSatnick et al.	604/30
4,900,302	2/1990	Newton	604/30



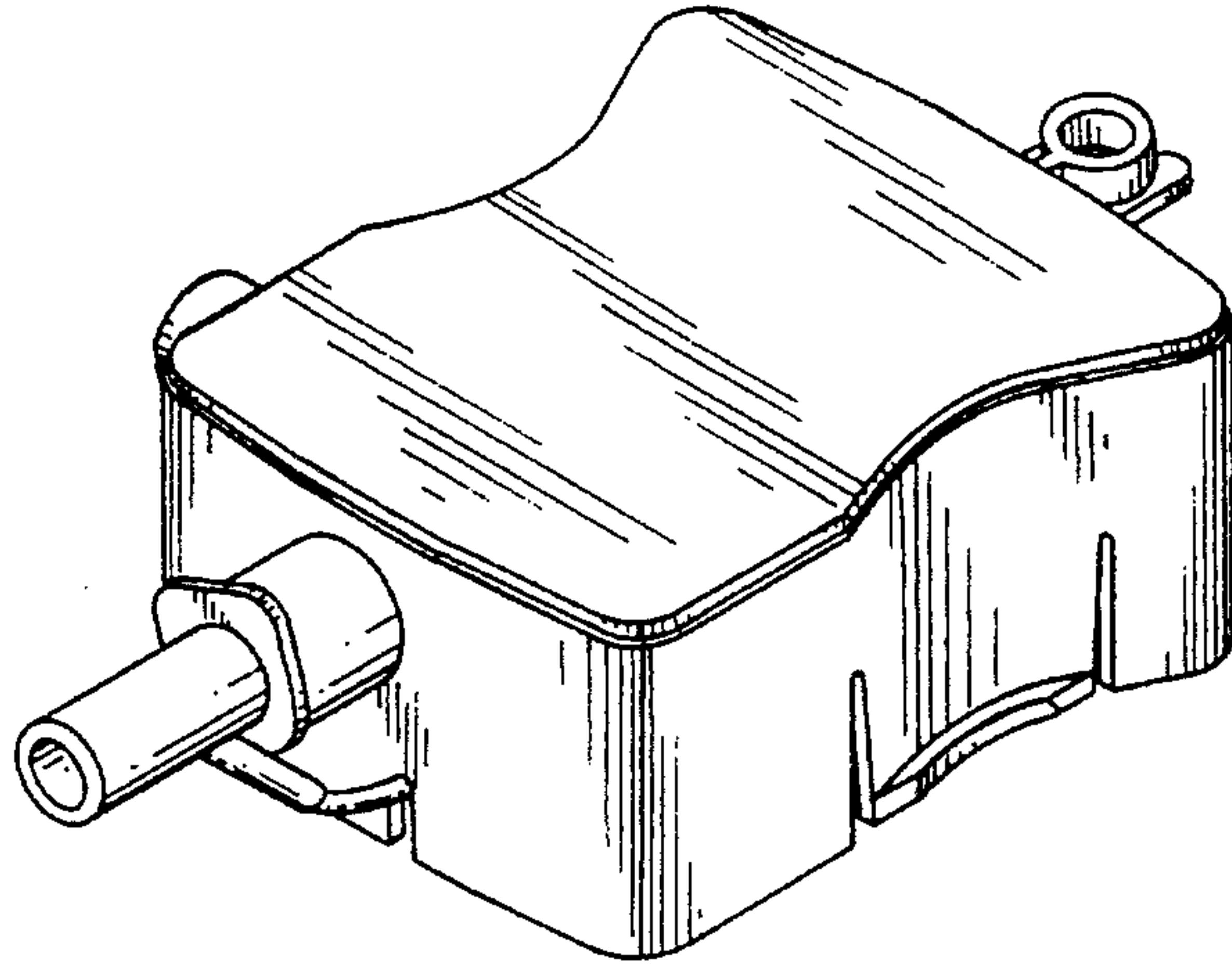


Fig. 1

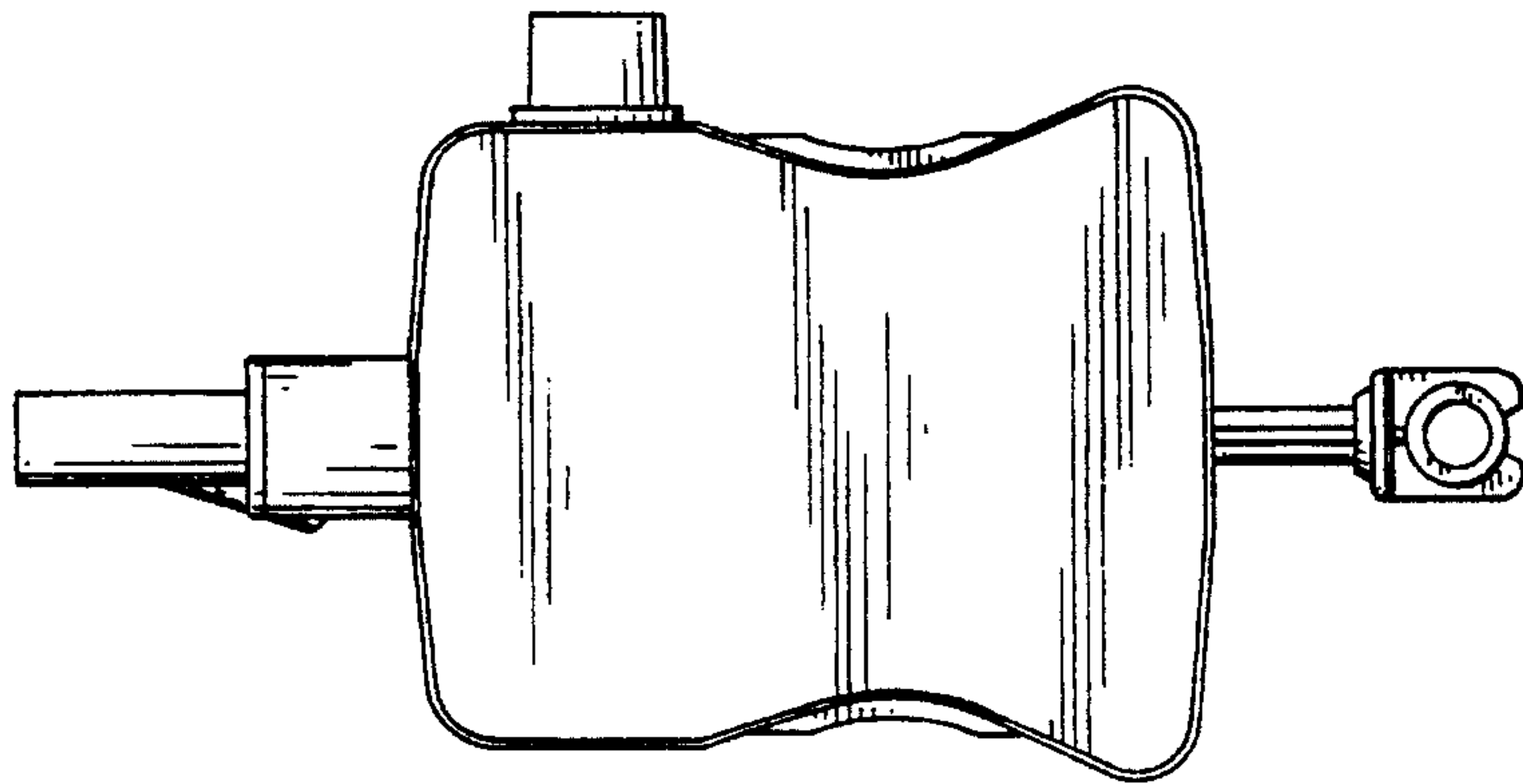


Fig. 2

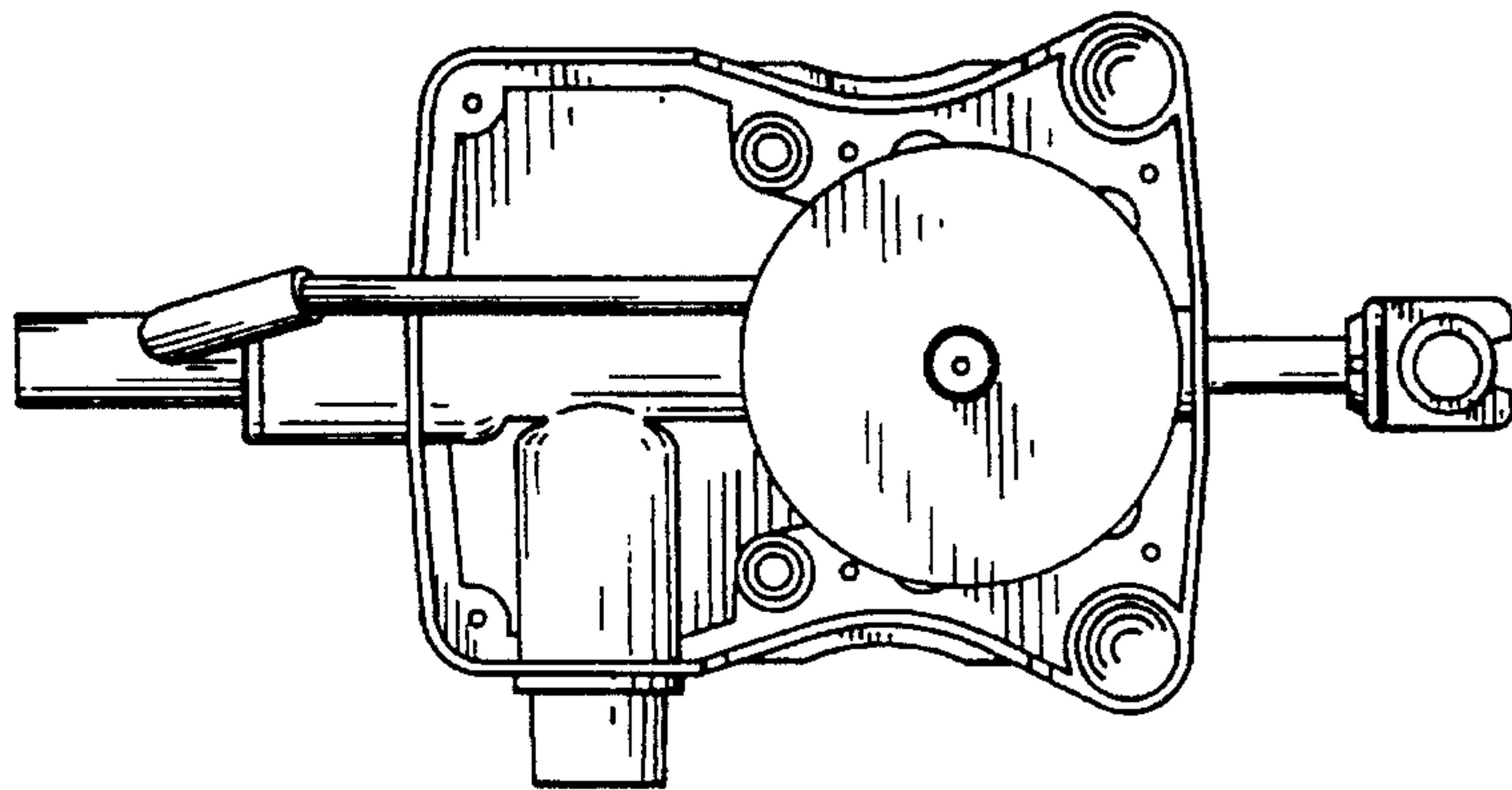


Fig. 3

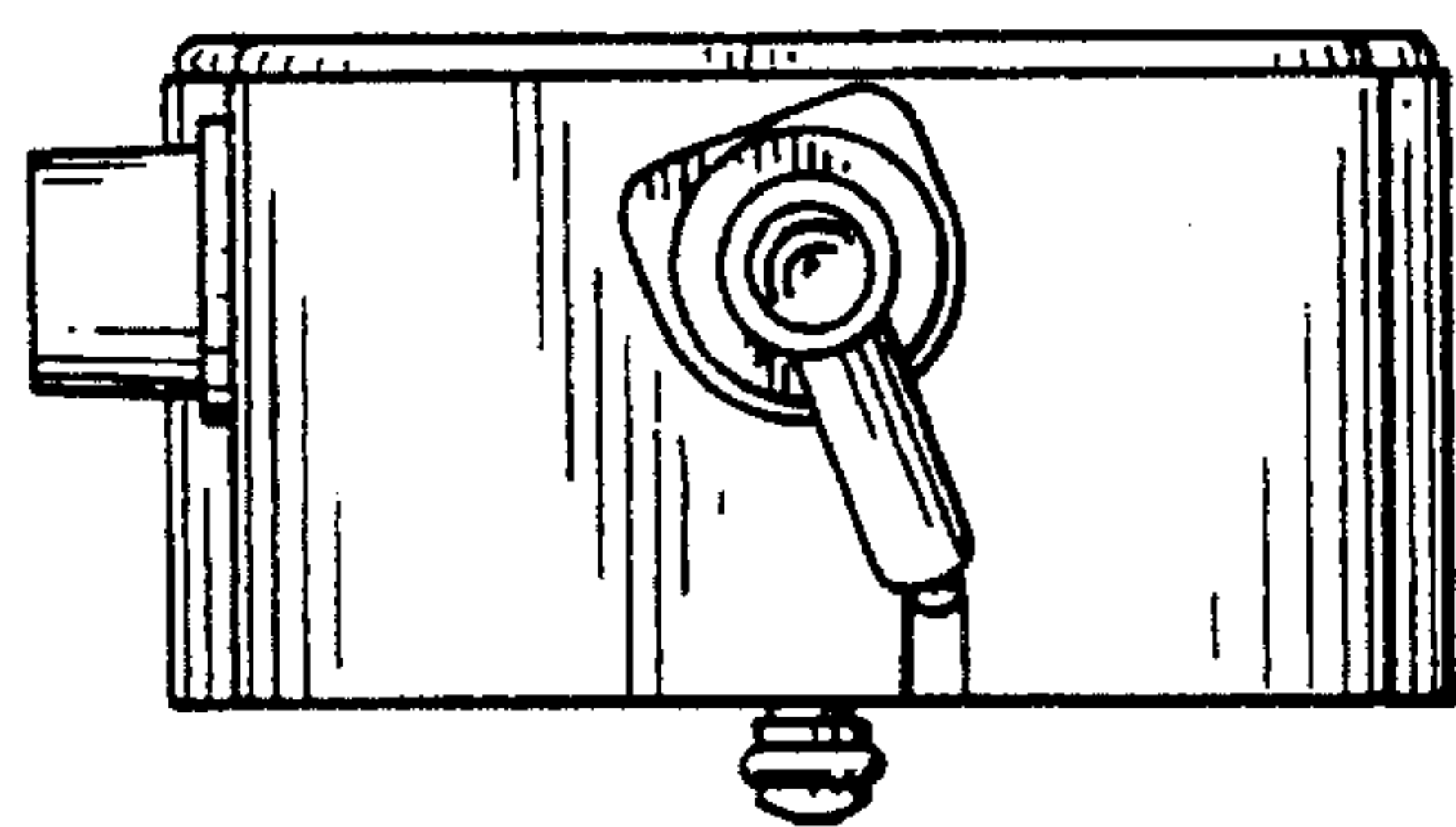


Fig. 4

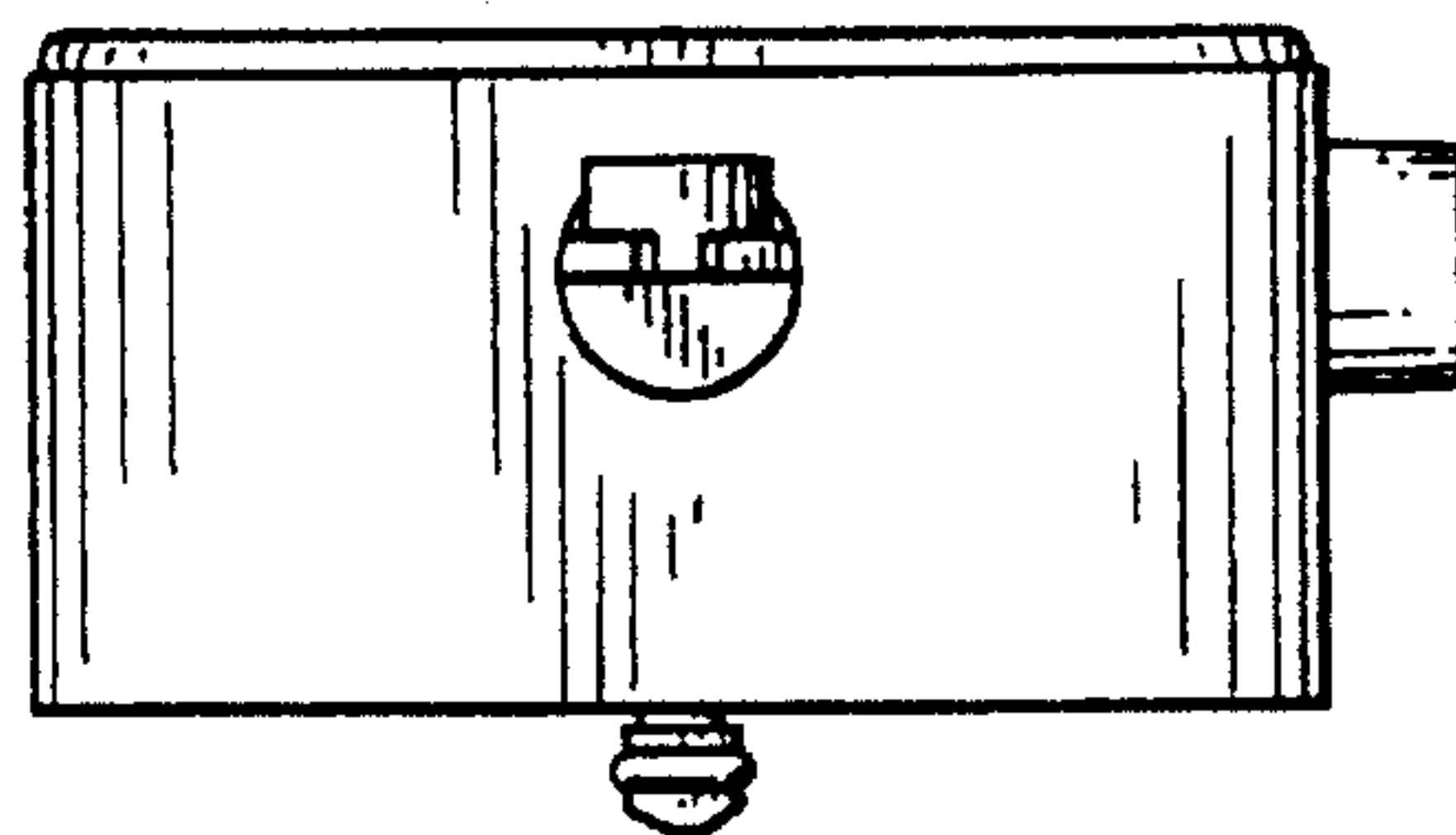


Fig. 5

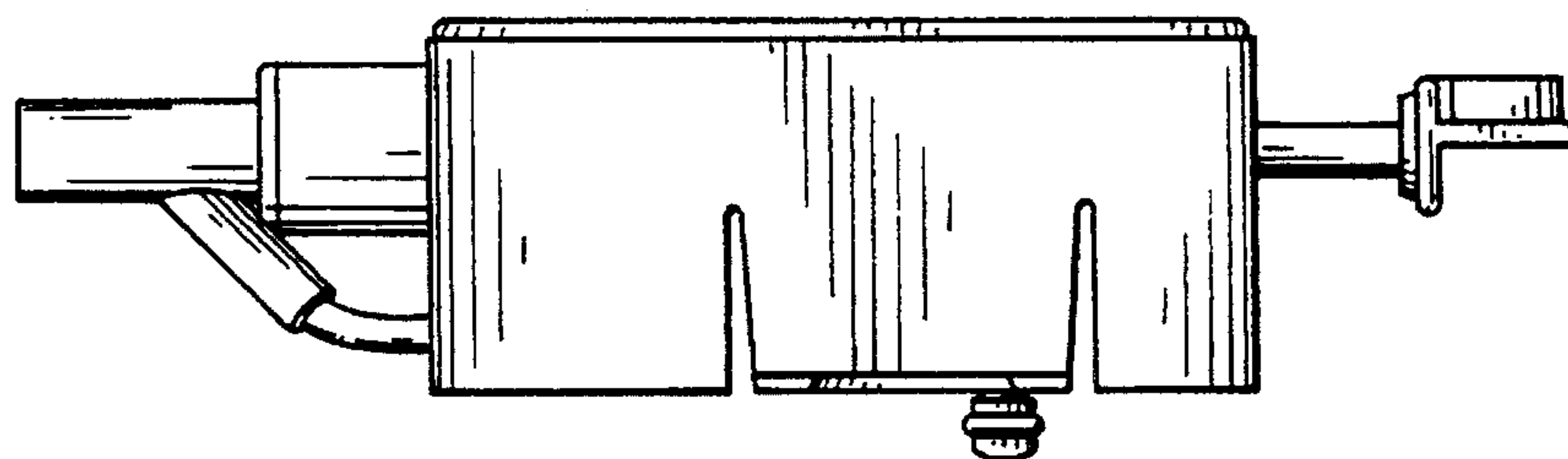


Fig. 6

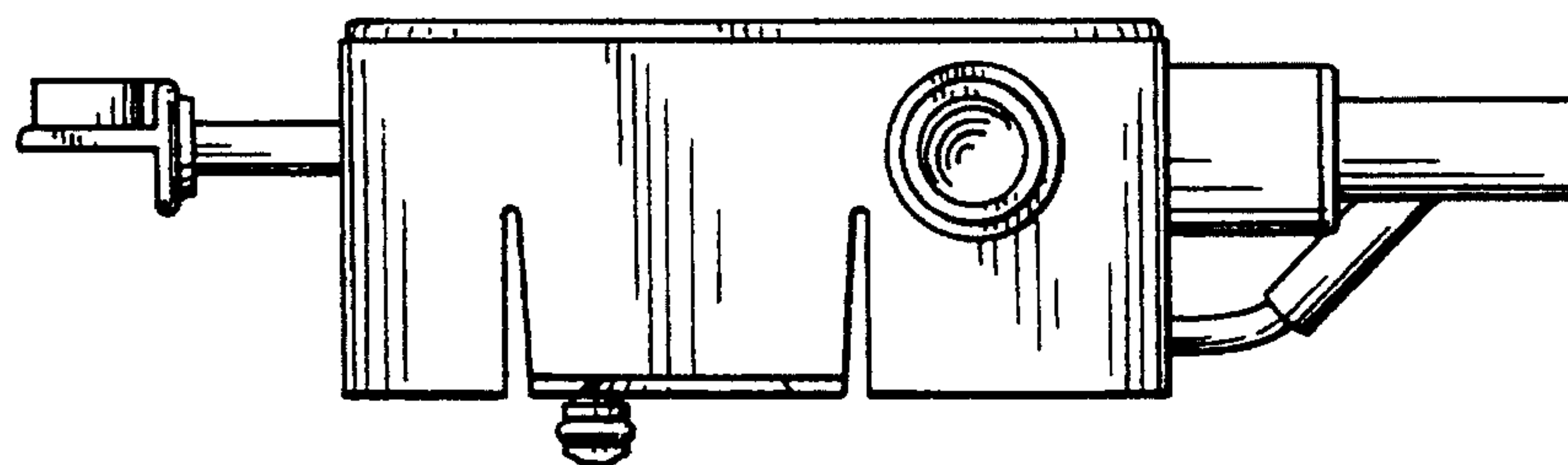


Fig. 7