



US00D370719S

# United States Patent [19]

[11] Patent Number: **Des. 370,719**

**Kawamura et al.**

[45] Date of Patent: **\*\*Jun. 11, 1996**

[54] **COMBINED TOILET BASIN, TOILET SEAT AND SEAT COVER**

D. 343,892 2/1994 Chen ..... D23/301  
D. 347,496 5/1994 Wei ..... D23/301

[75] Inventors: **Seijiro Kawamura; Noriko Y. Hashida**, both of Kitakyushu, Japan

*Primary Examiner*—Stella Reid  
*Assistant Examiner*—Eric Watterson  
*Attorney, Agent, or Firm*—Finnegan, Henderson, Farabow, Garrett & Dunner

[73] Assignee: **Toto, Ltd.**, Fukuoka, Japan

[\*\*] Term: **14 Years**

[57] **CLAIM**

[21] Appl. No.: **25,033**

The ornamental design for a combined toilet basin, toilet seat and seat cover, as shown and described.

[22] Filed: **Jun. 27, 1994**

**DESCRIPTION**

[30] **Foreign Application Priority Data**

Dec. 28, 1993 [JP] Japan ..... 5-39895  
Dec. 28, 1993 [JP] Japan ..... 5-39897

FIG. 1 is a right side elevational view of a combined toilet basin, toilet seat and seat cover embodying our design;  
FIG. 2 is a rear elevational view;  
FIG. 3 is a front elevational view;  
FIG. 4 is a top plan view;  
FIG. 5 is a bottom plan view;  
FIG. 6 is a perspective view of the front and right side thereof;  
FIG. 7 is a right elevational view of a second embodiment of a toilet basin, toilet seat and seat cover assembly embodying our design;  
FIG. 8 is a rear elevational view thereof;  
FIG. 9 is a front elevational view thereof;  
FIG. 10 is a top plan view thereof;  
FIG. 11 is a bottom plan view thereof; and,  
FIG. 12 is a perspective view of the front and right side thereof.

[52] **U.S. Cl.** ..... **D23/285**

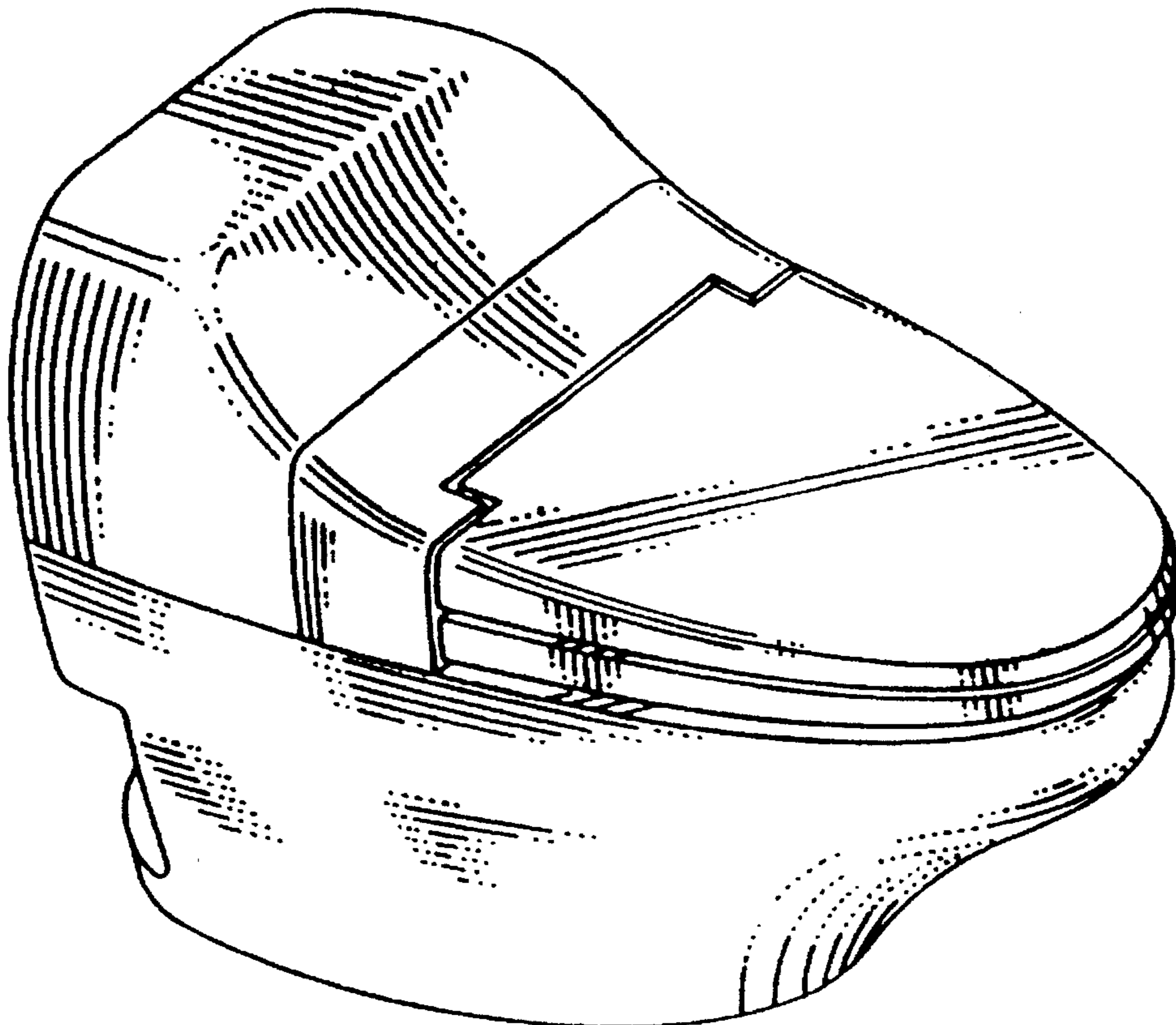
[58] **Field of Search** ..... D23/295-301;  
4/420.1-420.5, 443-448

[56] **References Cited**

**U.S. PATENT DOCUMENTS**

D. 250,202 11/1978 Doman et al. .... D23/301  
D. 268,779 4/1983 Doman .  
D. 275,515 9/1984 Kaiser .  
D. 275,599 9/1984 Enthoven .  
D. 288,588 3/1987 Stairs, Jr. .  
D. 288,589 3/1987 Stairs, Jr. .  
D. 288,590 3/1987 Stairs, Jr. .  
D. 311,435 10/1990 Chens ..... D23/301  
D. 342,778 12/1993 Chen ..... D23/301

**1 Claim, 4 Drawing Sheets**



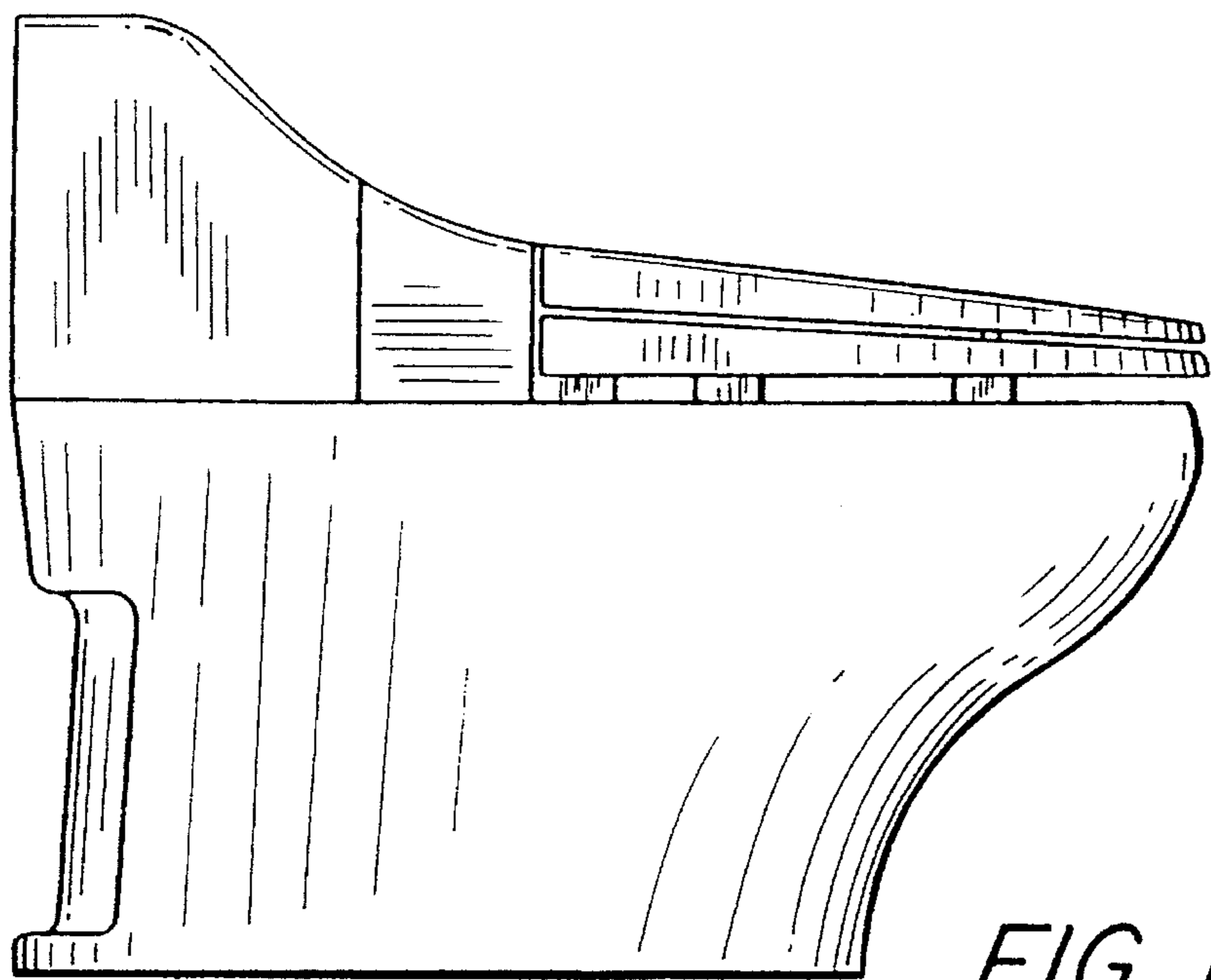


FIG. 1

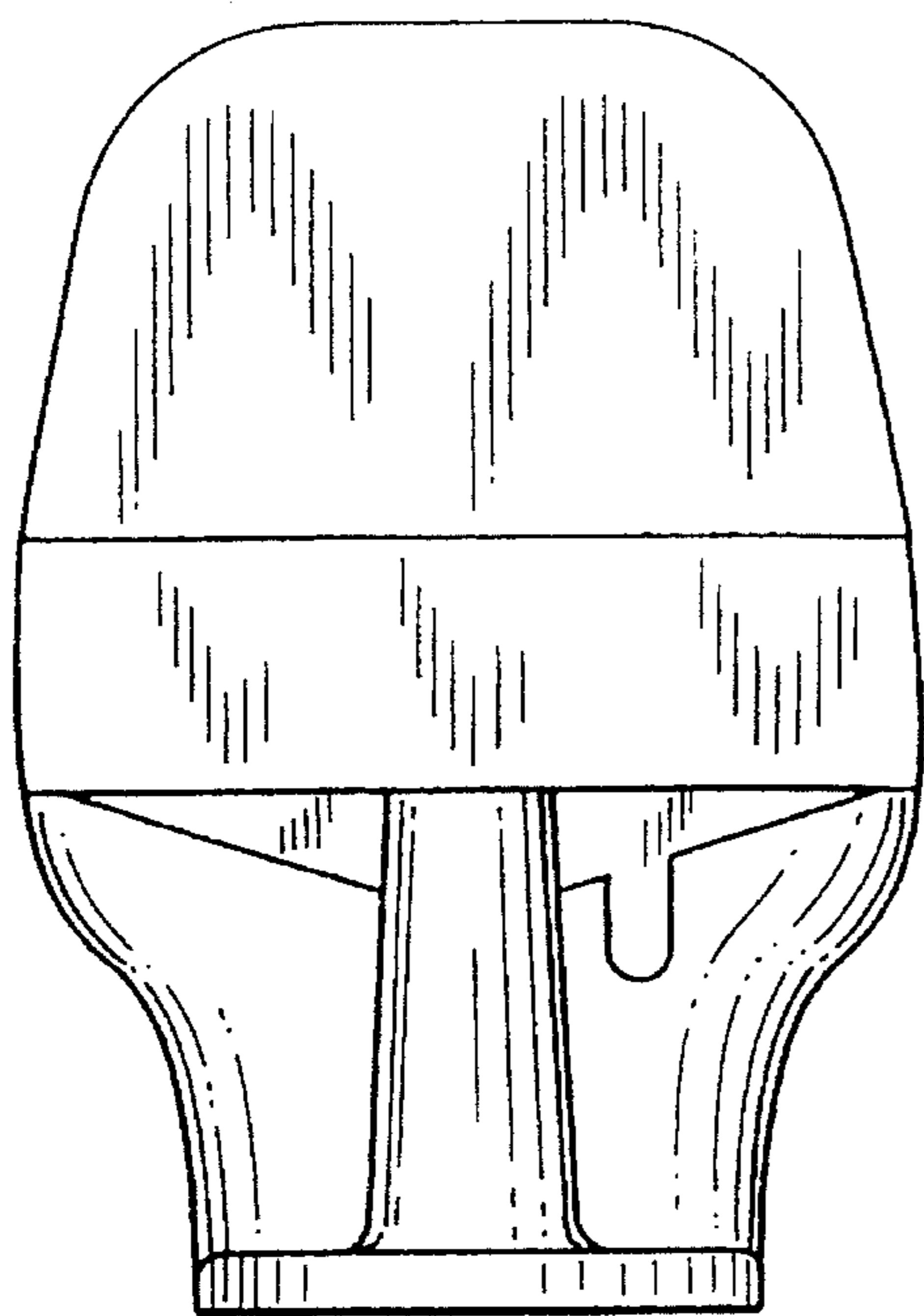


FIG. 2

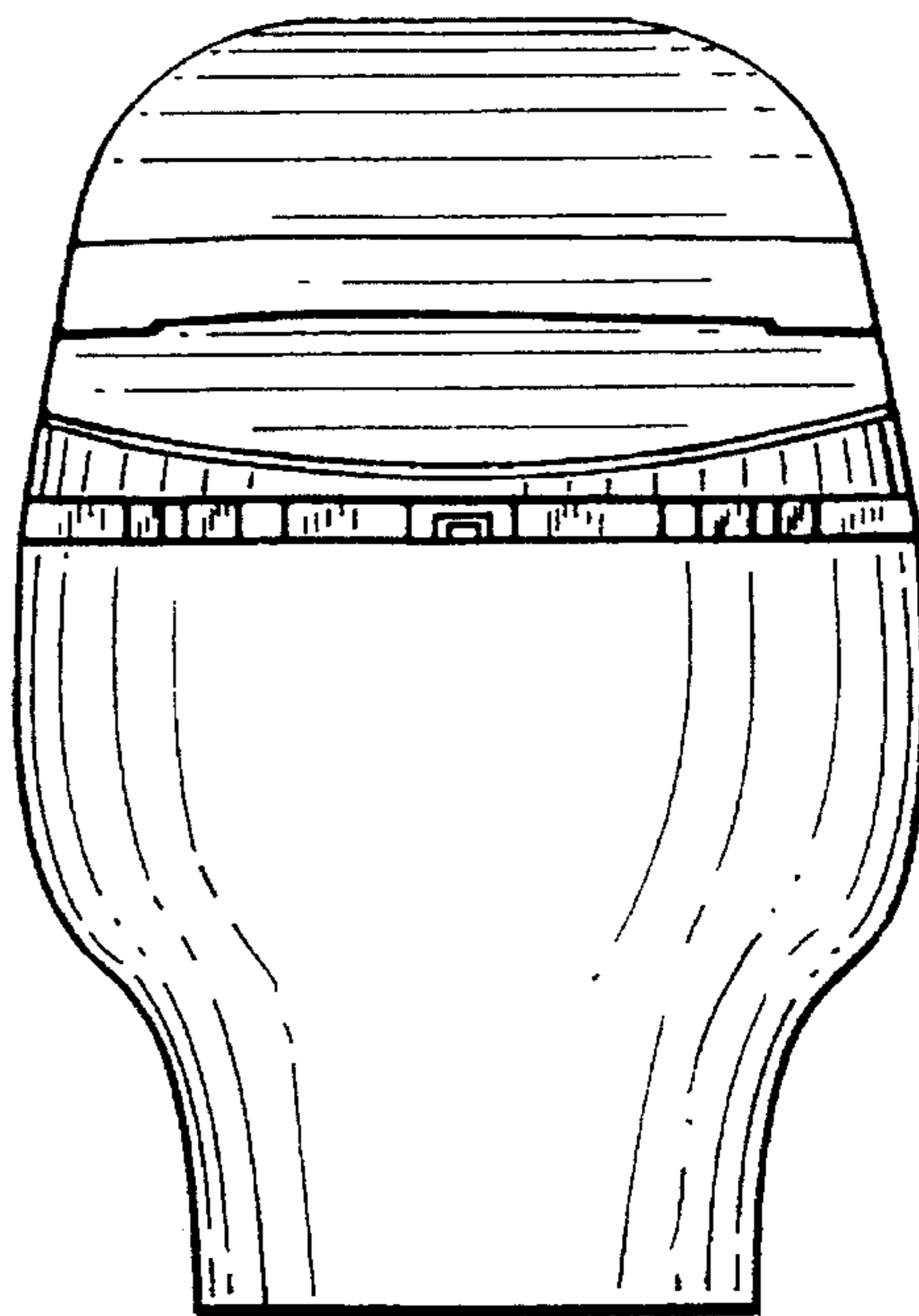


FIG. 3

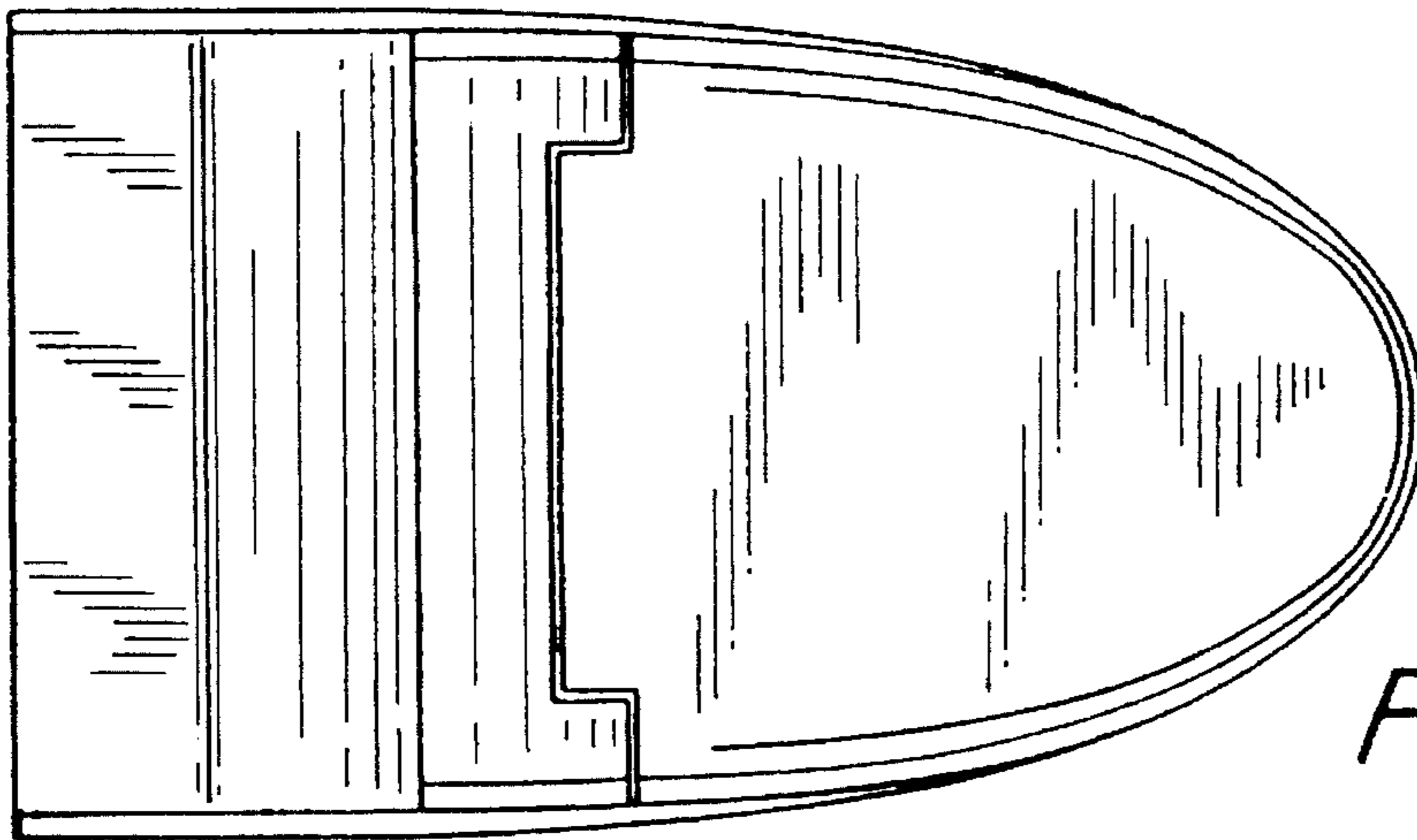


FIG. 4

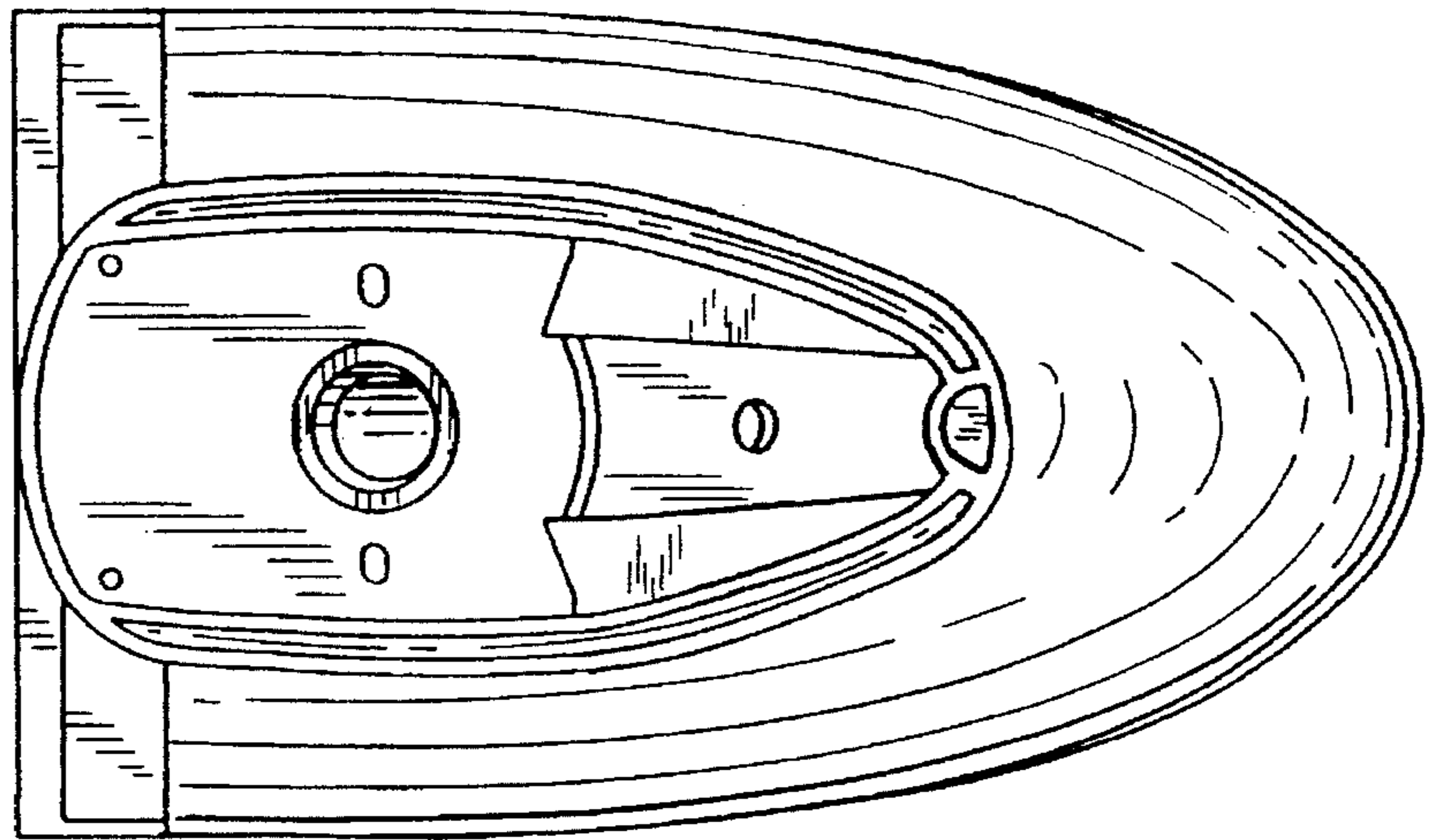


FIG. 5

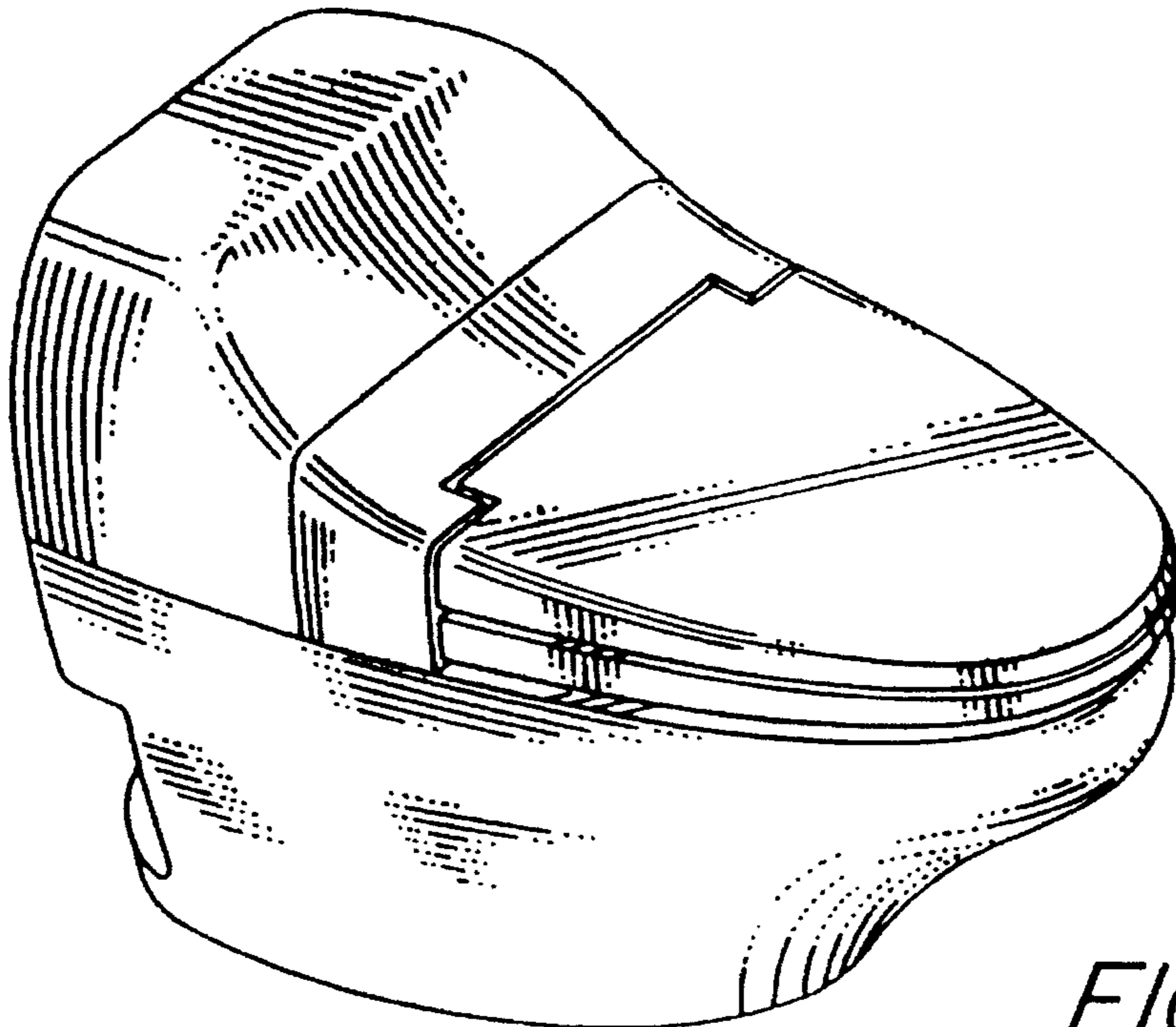


FIG. 6



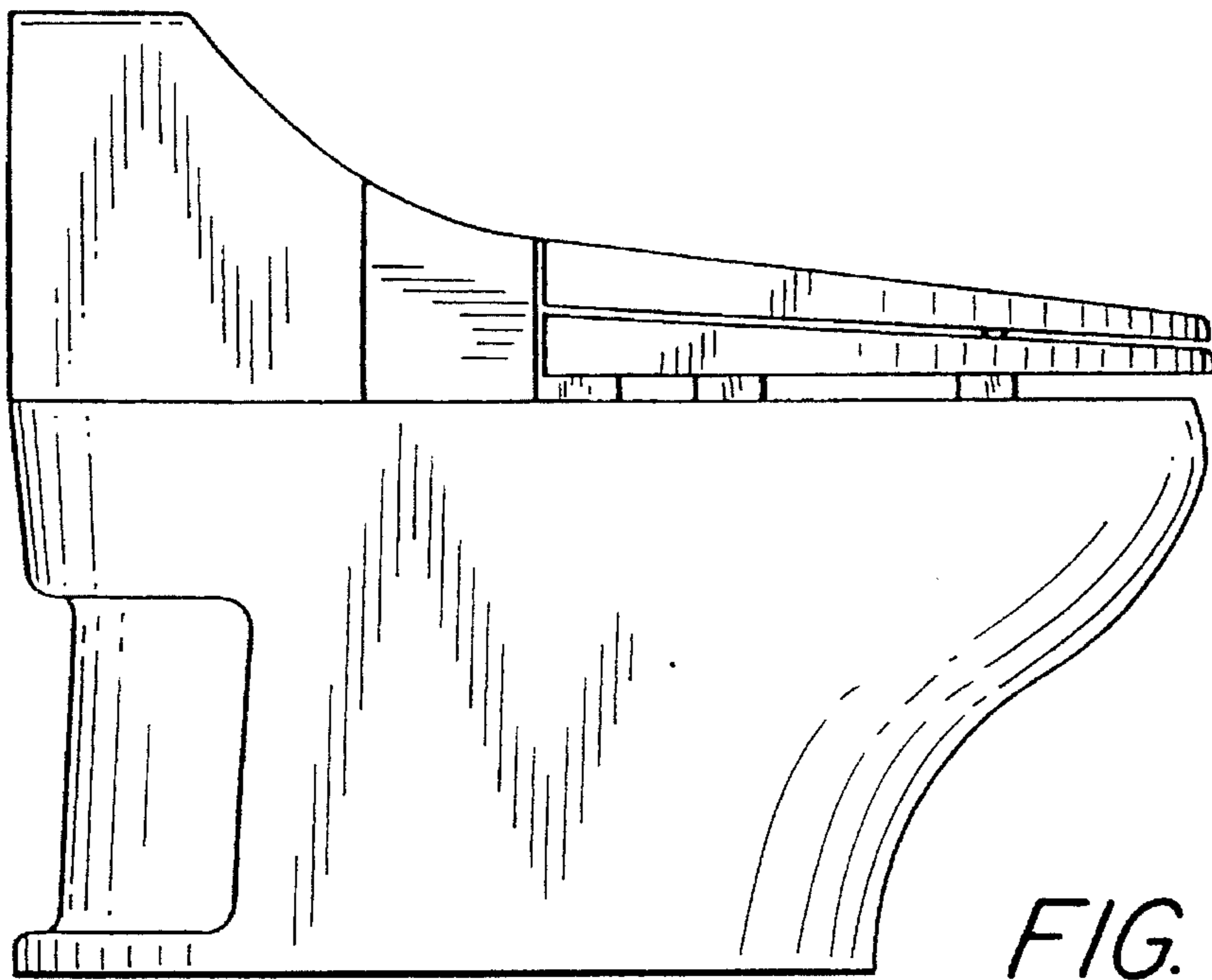


FIG. 7

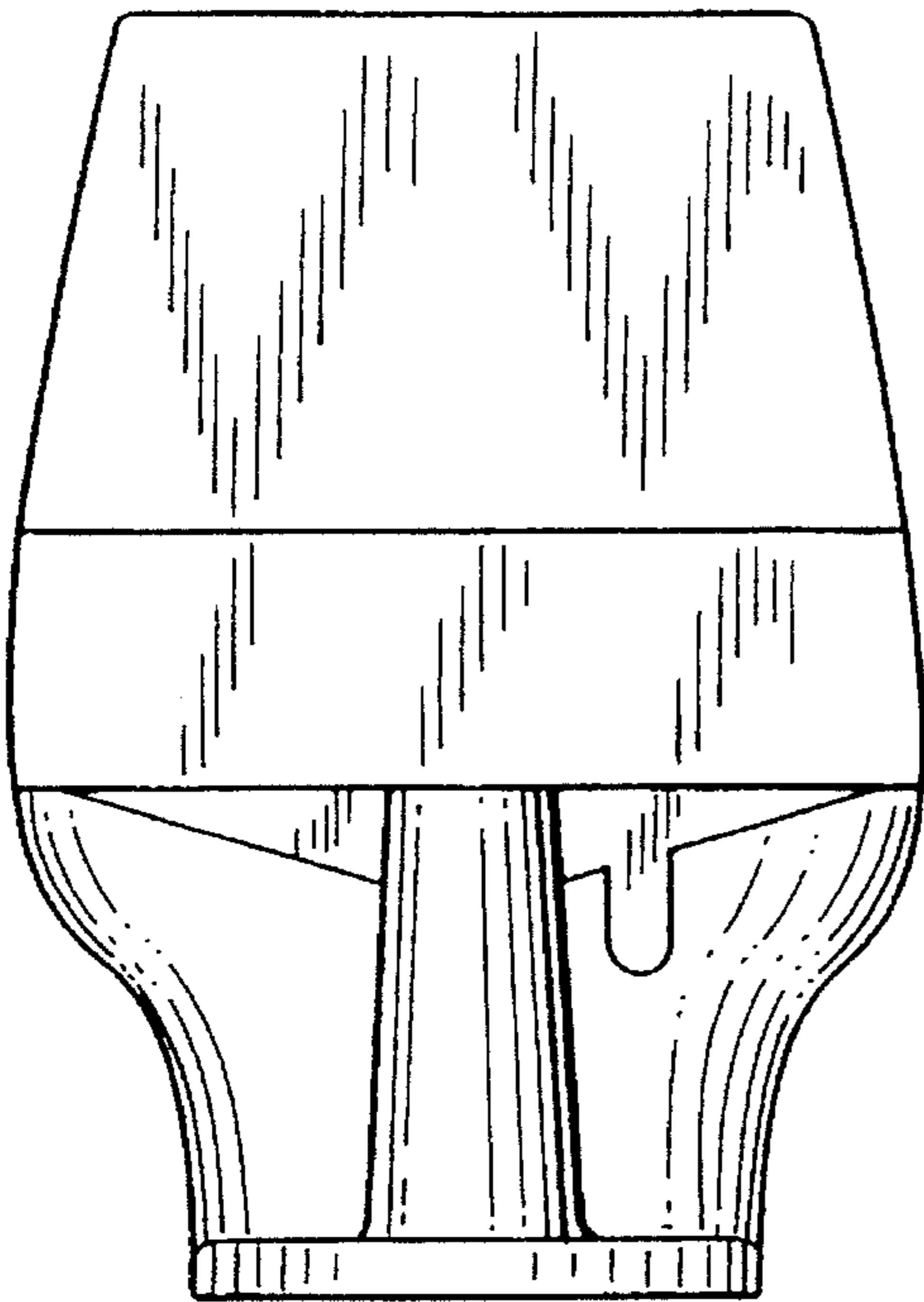


FIG. 8

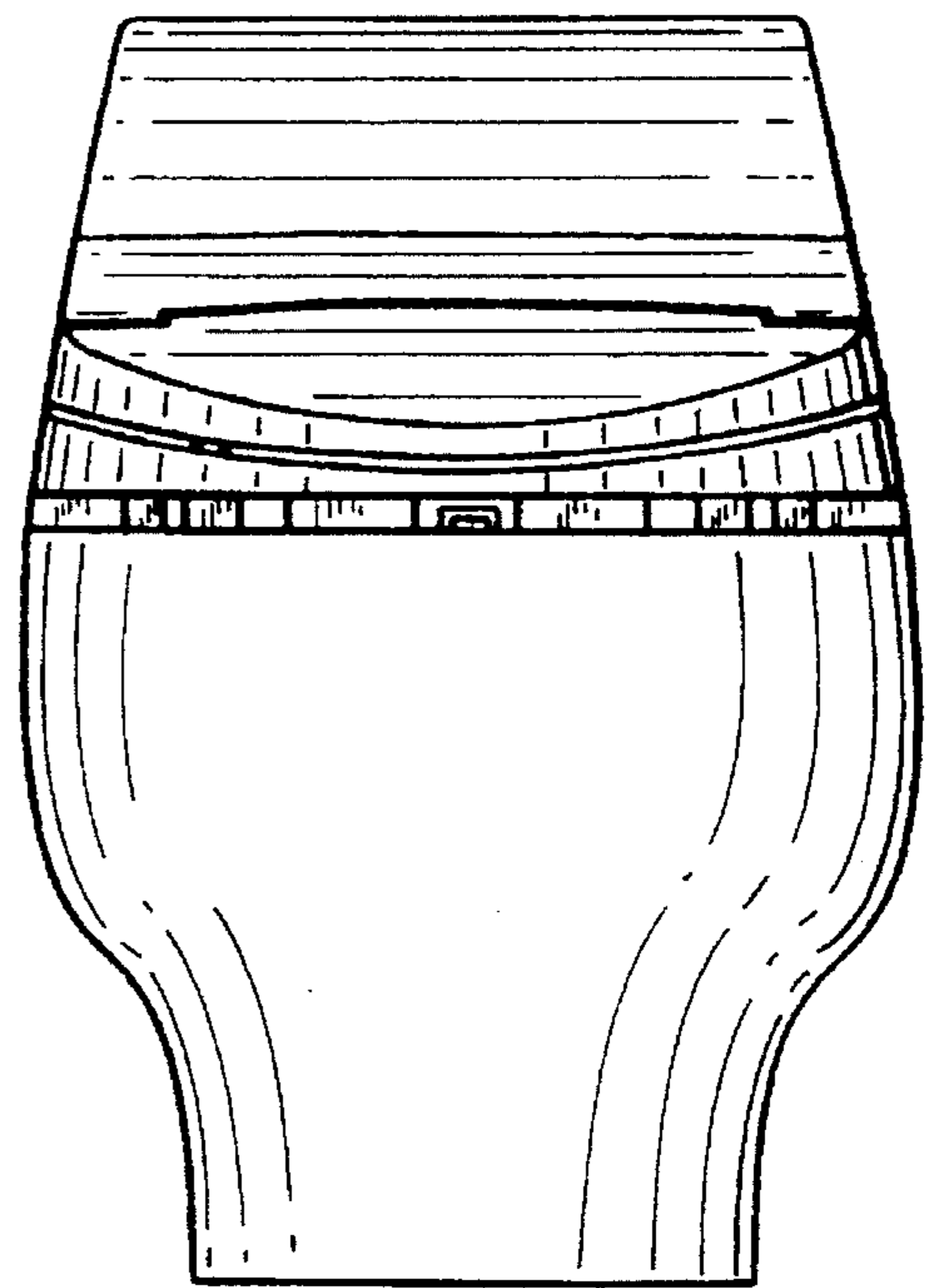
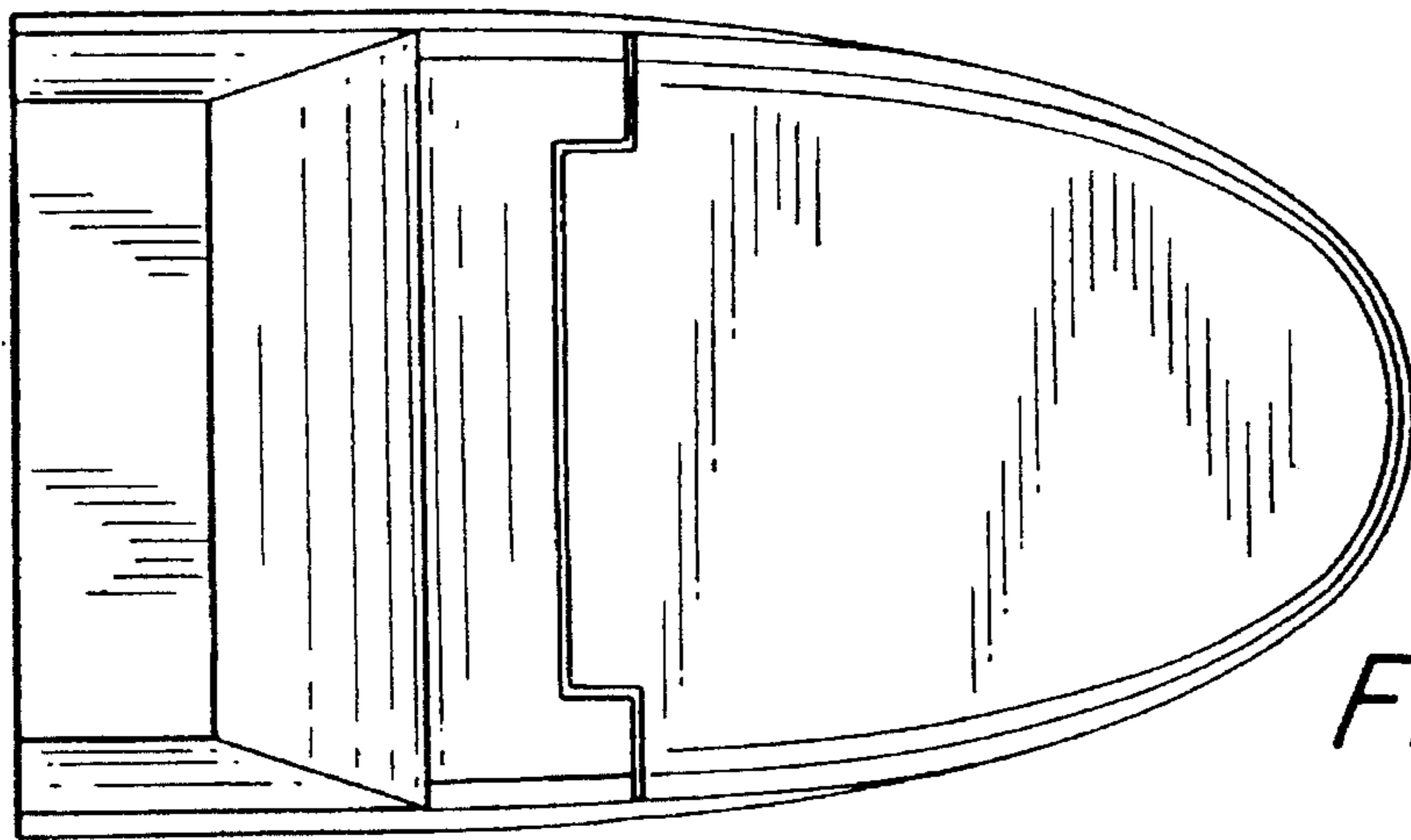
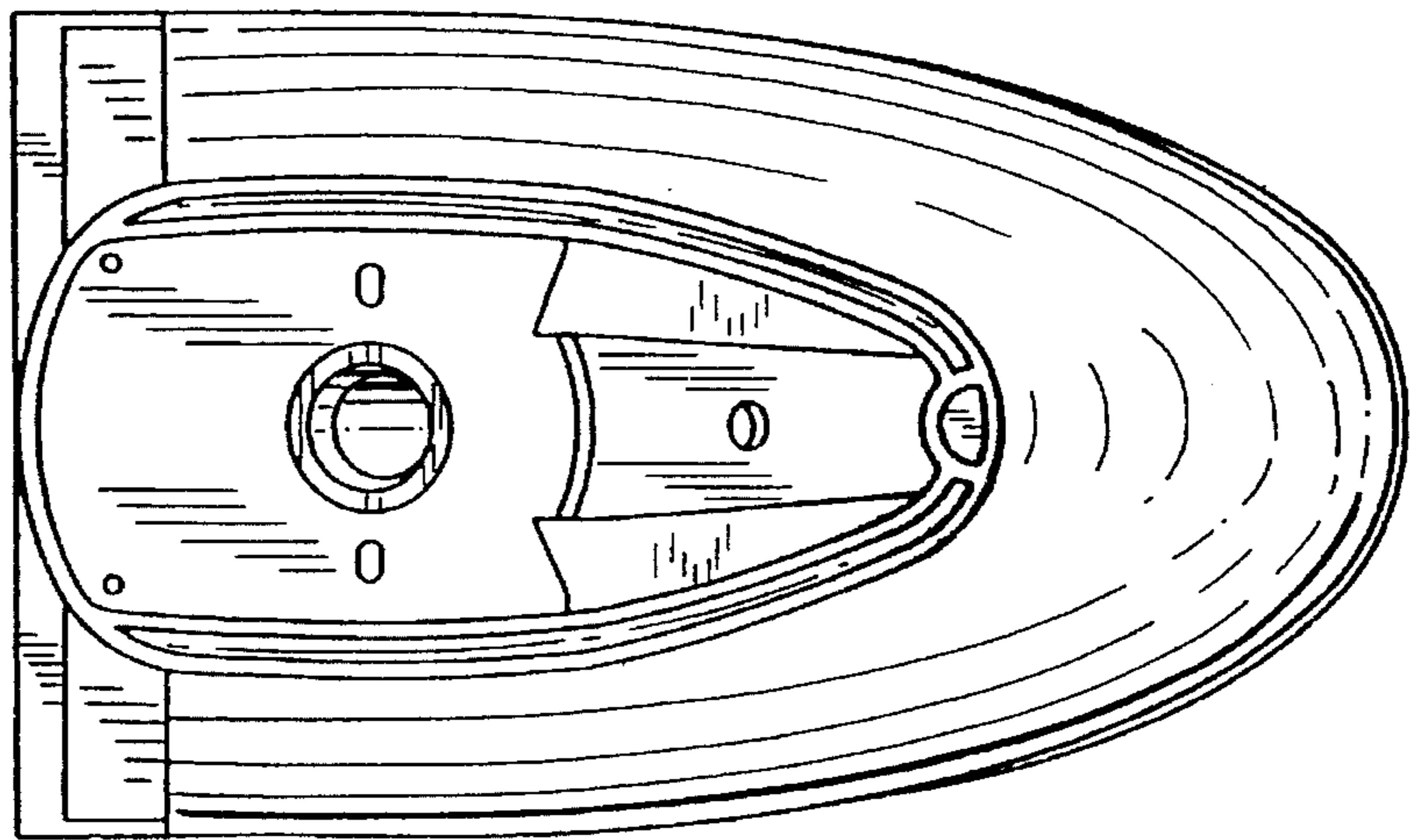


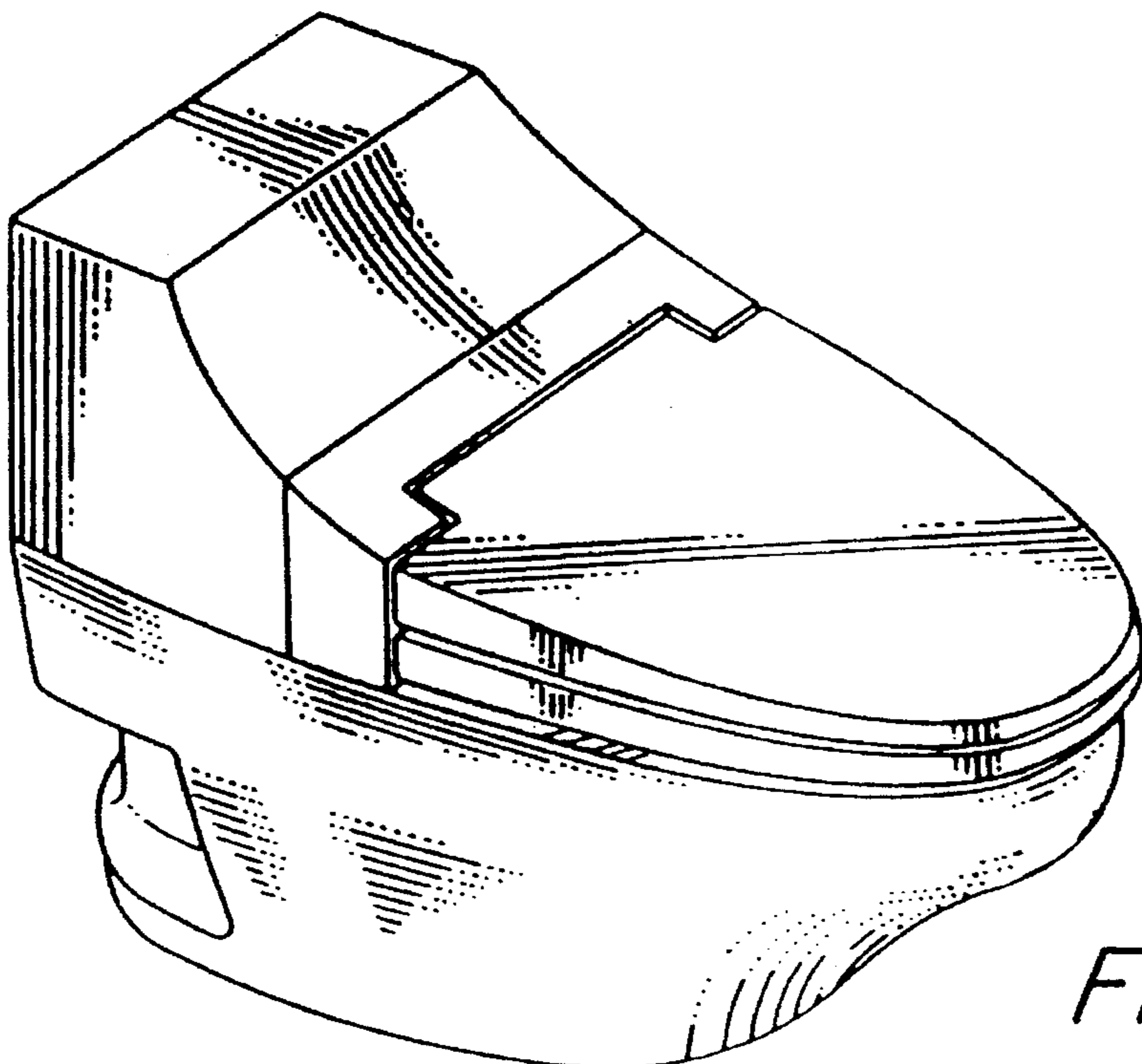
FIG. 9



*FIG. 10*



*FIG. 11*



*FIG. 12*