



US00D370713S

United States Patent [19]
Guo

[11] **Patent Number: Des. 370,713**

[45] **Date of Patent: **Jun. 11, 1996**

[54] **WATER SPRAY GUN**

D. 354,333 1/1995 Clivio D23/223

[76] Inventor: **Wei-Li Guo**, No. 10, Fang Tung Road,
Wen Chien Tsun, Fang Yuan Hsiang,
Changhua Hsien, Taiwan

Primary Examiner—A. Hugo Word
Assistant Examiner—Robin V. Taylor
Attorney, Agent, or Firm—Bacon & Thomas

[**] Term: **14 Years**

[57] **CLAIM**

[21] Appl. No.: **38,683**

The ornamental design for water spray gun, as shown and described.

[22] Filed: **May 10, 1995**

DESCRIPTION

[52] U.S. Cl. **D23/223**

[58] Field of Search D23/213-224,
D23/228, 230; 239/373, 394, 414-415,
525-528

FIG. 1 is a perspective view of water spray gun showing my new design thereof;

FIG. 2 is a front elevational view thereof;

FIG. 3 is a rear side elevational view thereof;

FIG. 4 is a left side elevational view thereof;

FIG. 5 is a right side elevational view thereof;

FIG. 6 is a top plan view thereof; and,

FIG. 7 is a bottom plan view thereof.

[56] **References Cited**

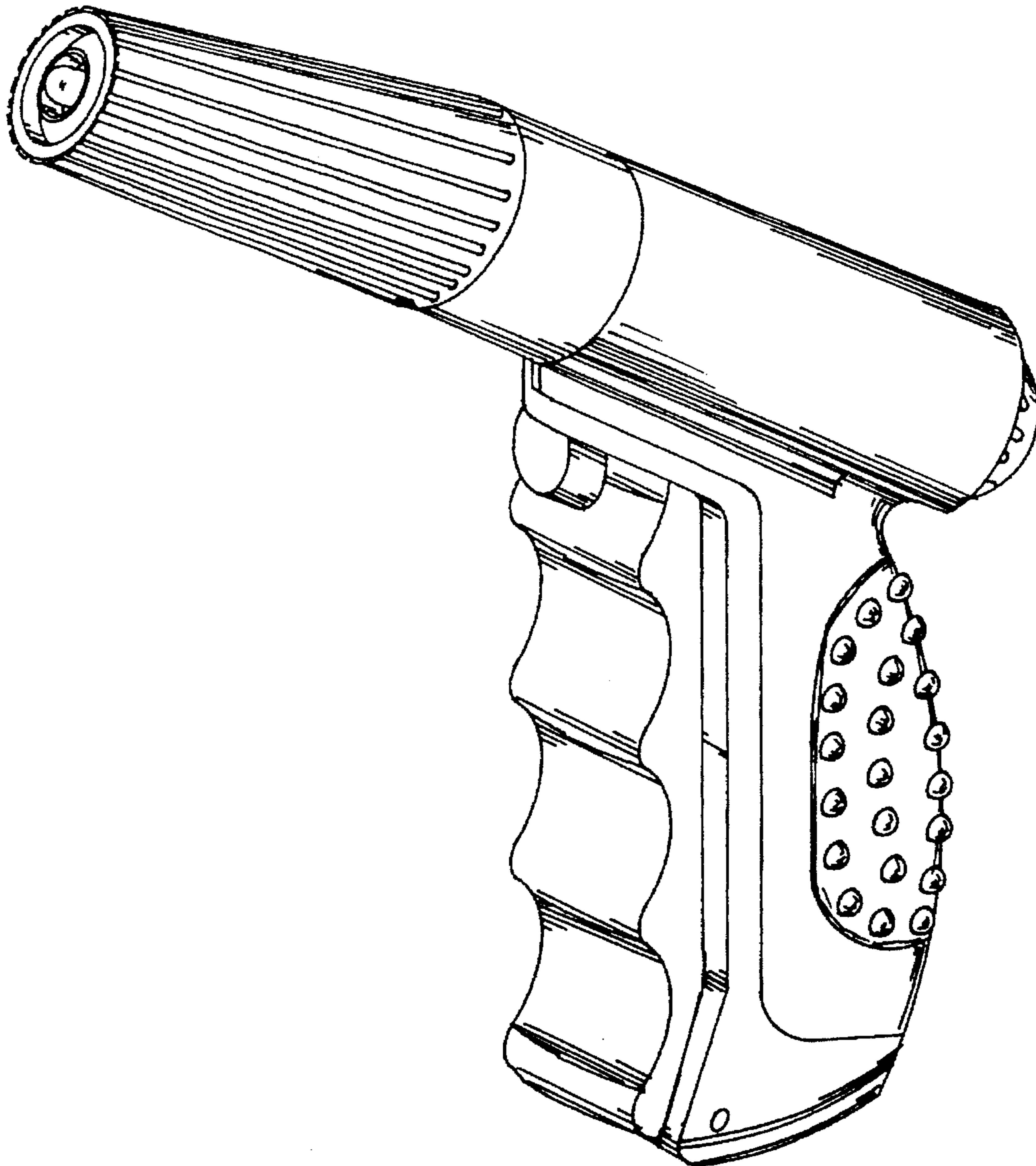
U.S. PATENT DOCUMENTS

D. 310,706 9/1990 Heven et al. D23/226

D. 315,782 3/1991 Clivio D23/226

D. 347,464 5/1994 Kingston et al. D23/223

1 Claim, 6 Drawing Sheets



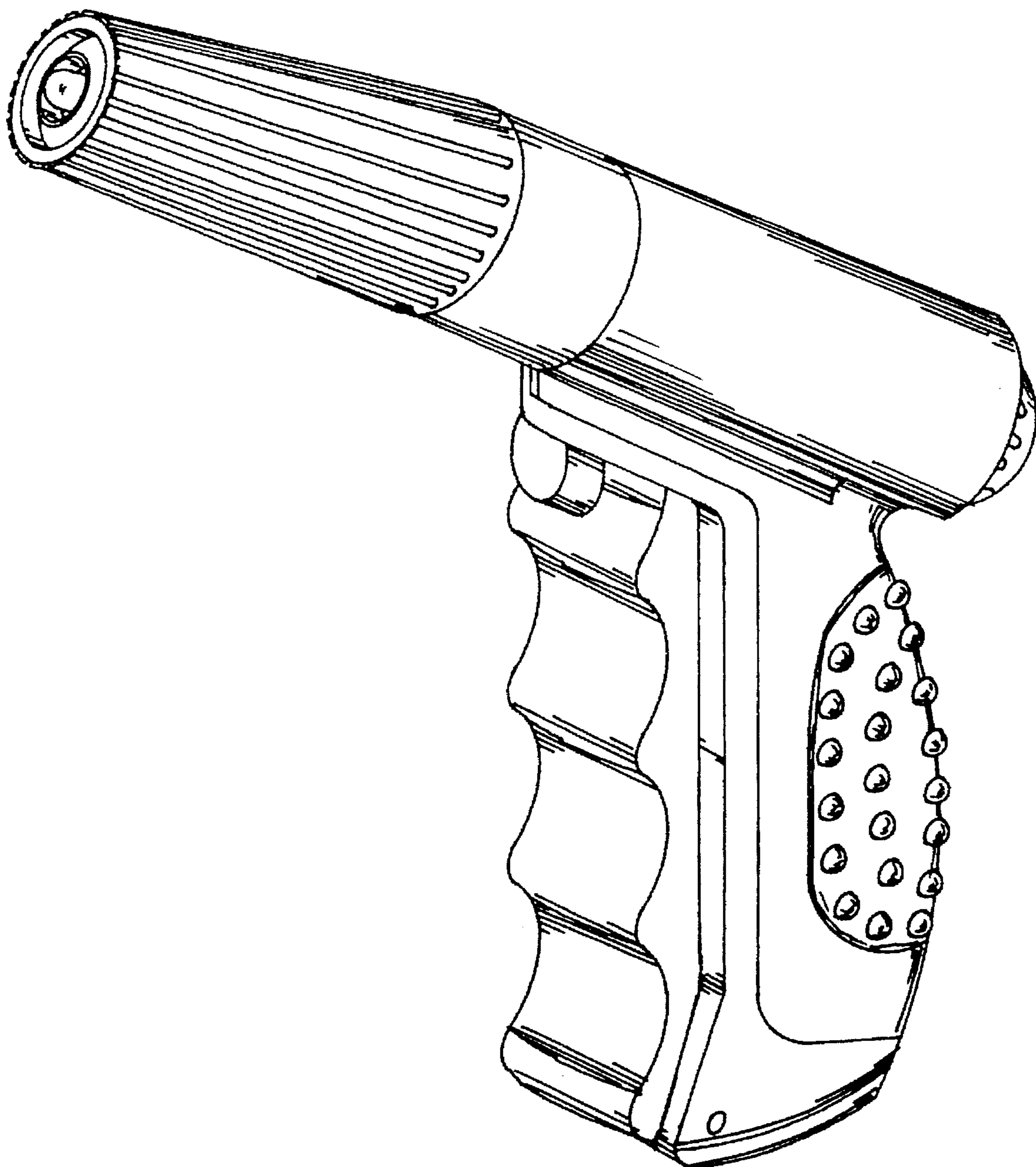


Fig.1

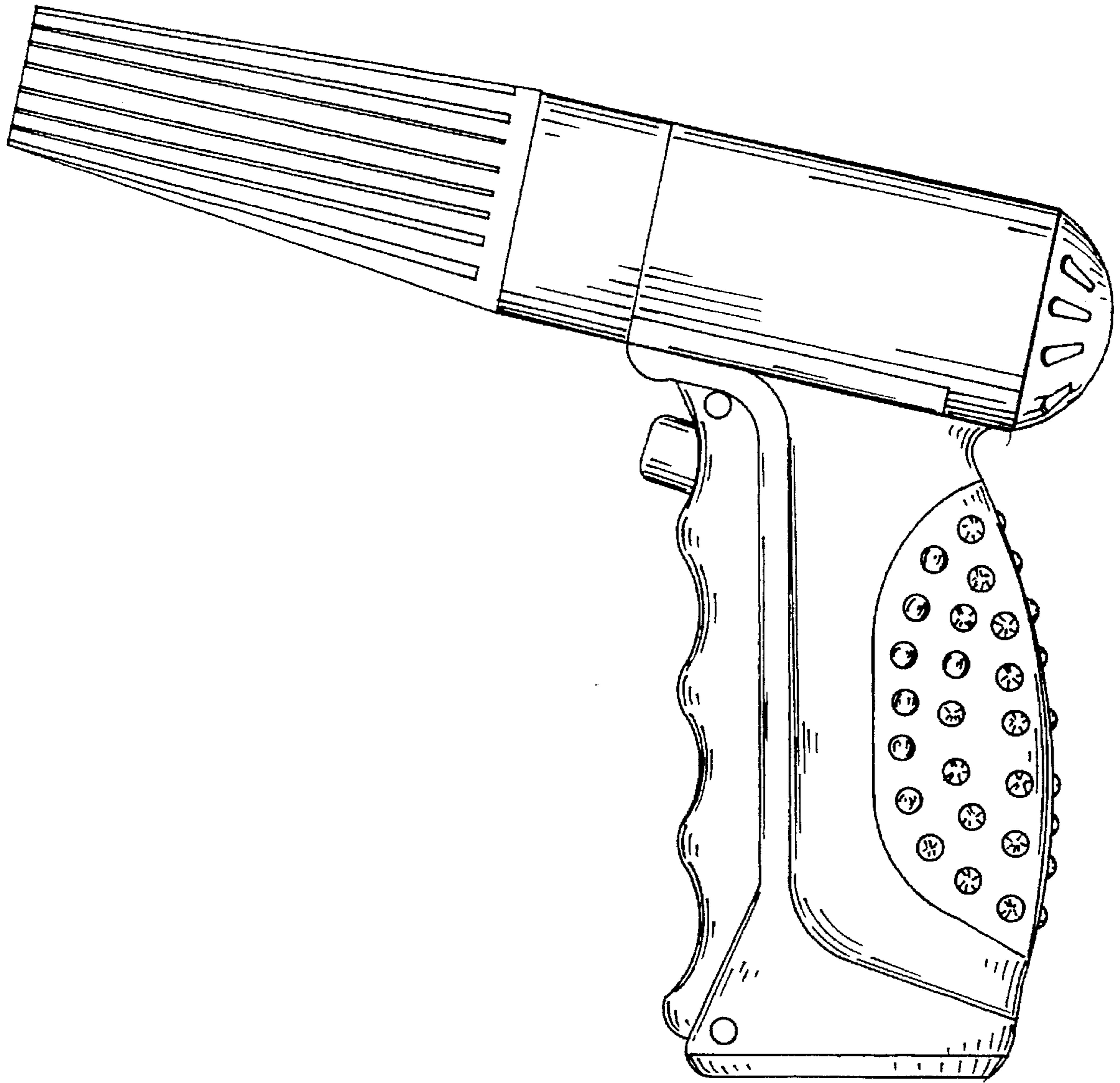


Fig.2

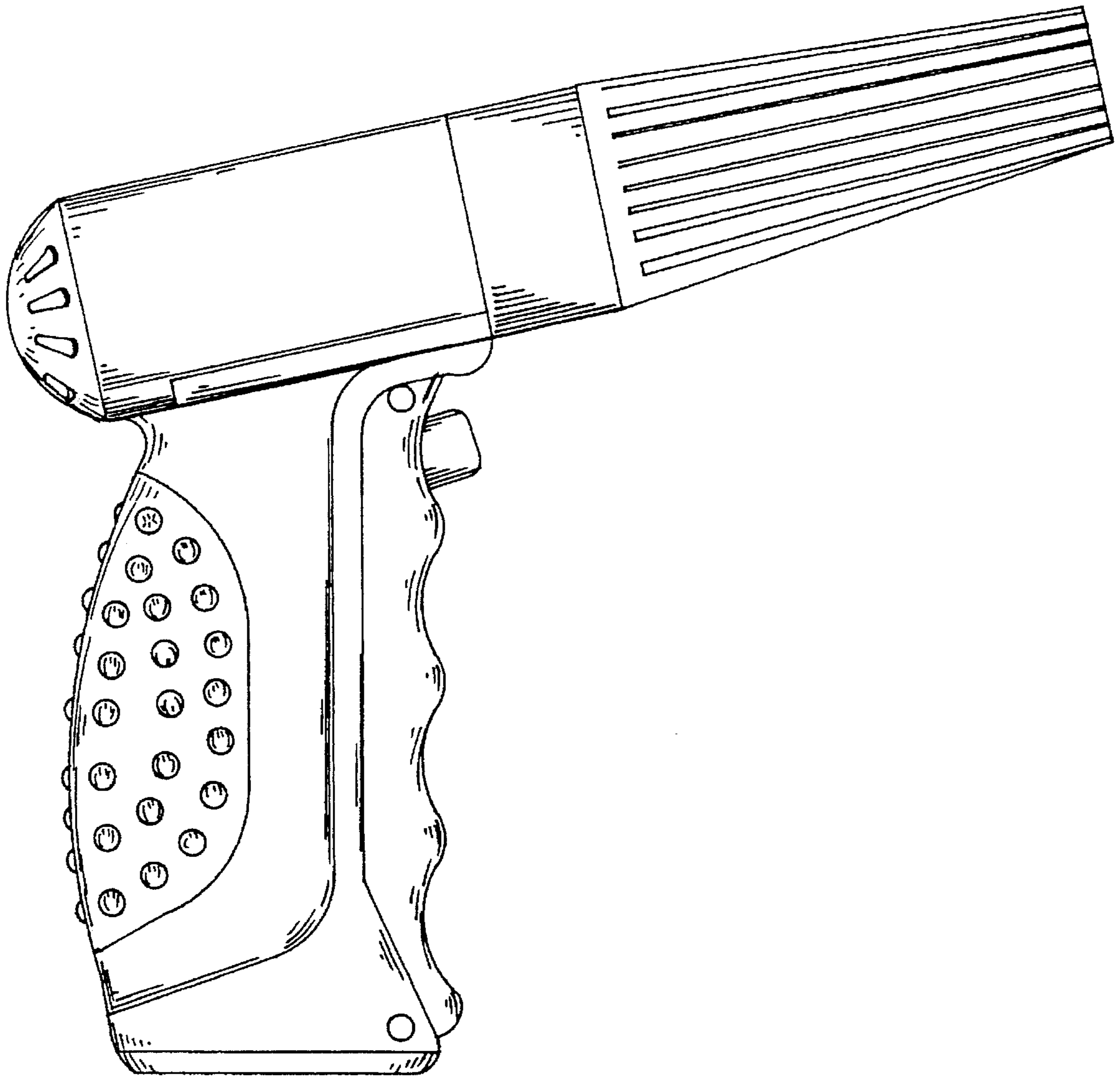


Fig.3

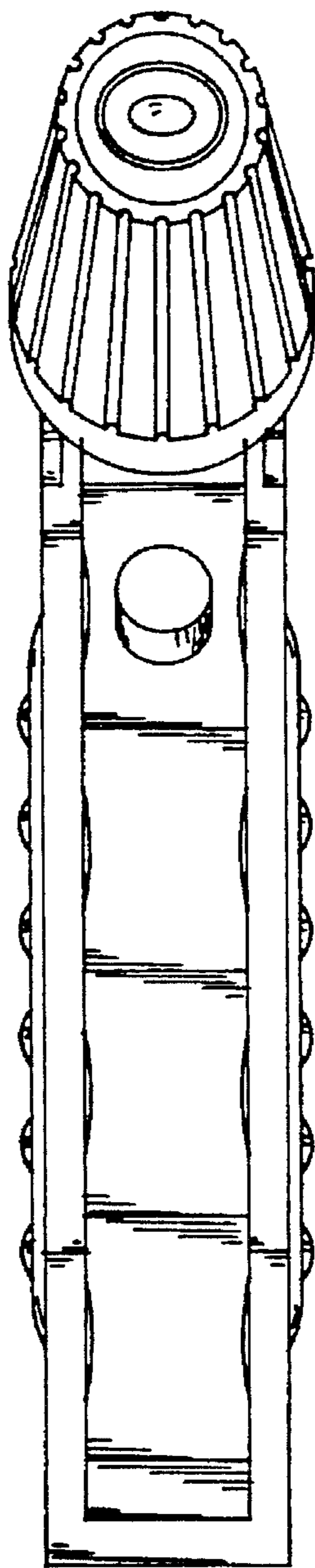


Fig.4

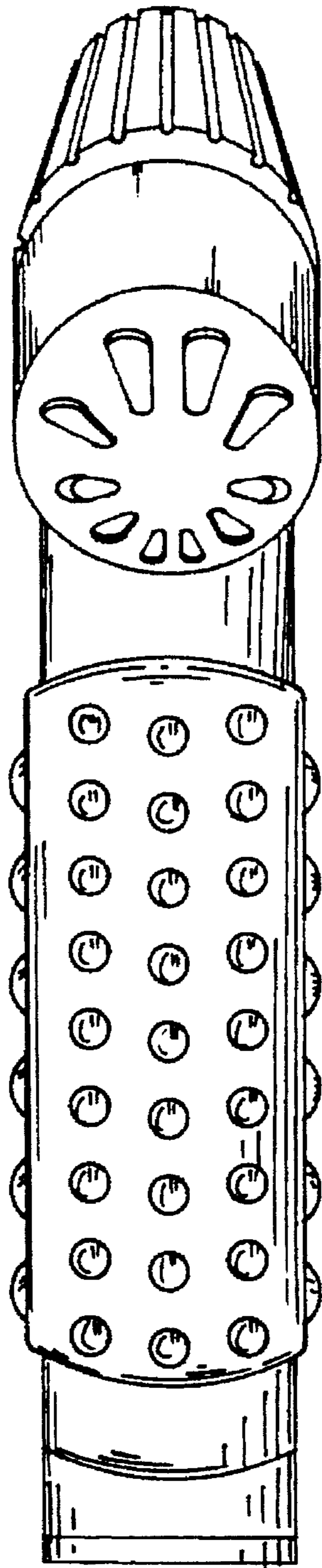


Fig.5

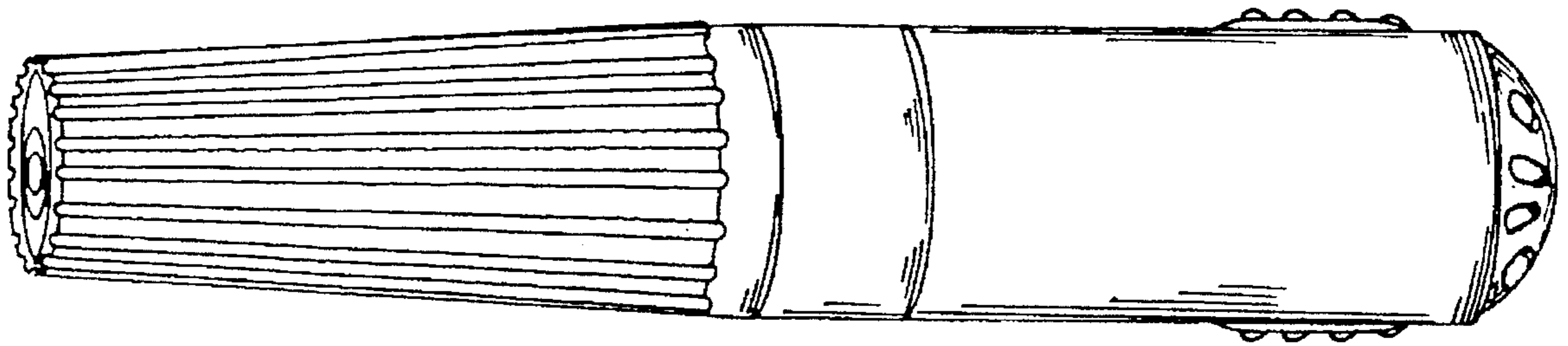


Fig.6

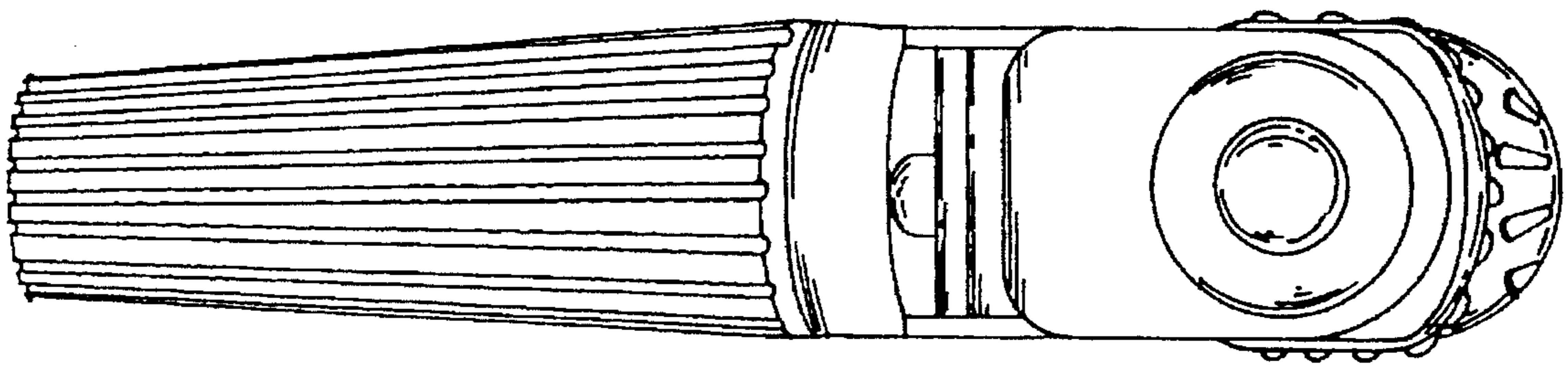


Fig.7