



US00D370712S

United States Patent [19]

Clark et al.

[11] Patent Number: **Des. 370,712**

[45] Date of Patent: ****Jun. 11, 1996**

[54] **TWO PIECE WATER JACKET PASSAGE FORMING CYLINDER LINER CORE**

3,292,501 12/1966 Verbeek 123/193.1 X
4,594,760 6/1986 Dillard 123/193.1 X

[75] Inventors: **Richard J. Clark; Richard K. Clark,**
both of Gilman; **Dennis E. Clark,**
Onarga, all of Ill.

Primary Examiner—Louis S. Zarfaz
Assistant Examiner—Eric Watterson
Attorney, Agent, or Firm—Kajane McManus

[73] Assignee: **Clark Industries, Inc.,** Gilman, Ill.

[57] **CLAIM**

[**] Term: **14 Years**

The ornamental design for a two piece water jacket passage forming cylinder liner core, as shown and described.

[21] Appl. No.: **5,378**

DESCRIPTION

[22] Filed: **Mar. 3, 1993**

[52] U.S. Cl. **D23/260**

[58] Field of Search D15/1, 5; 123/193.1,
123/50 R; 29/23.1, 895.31

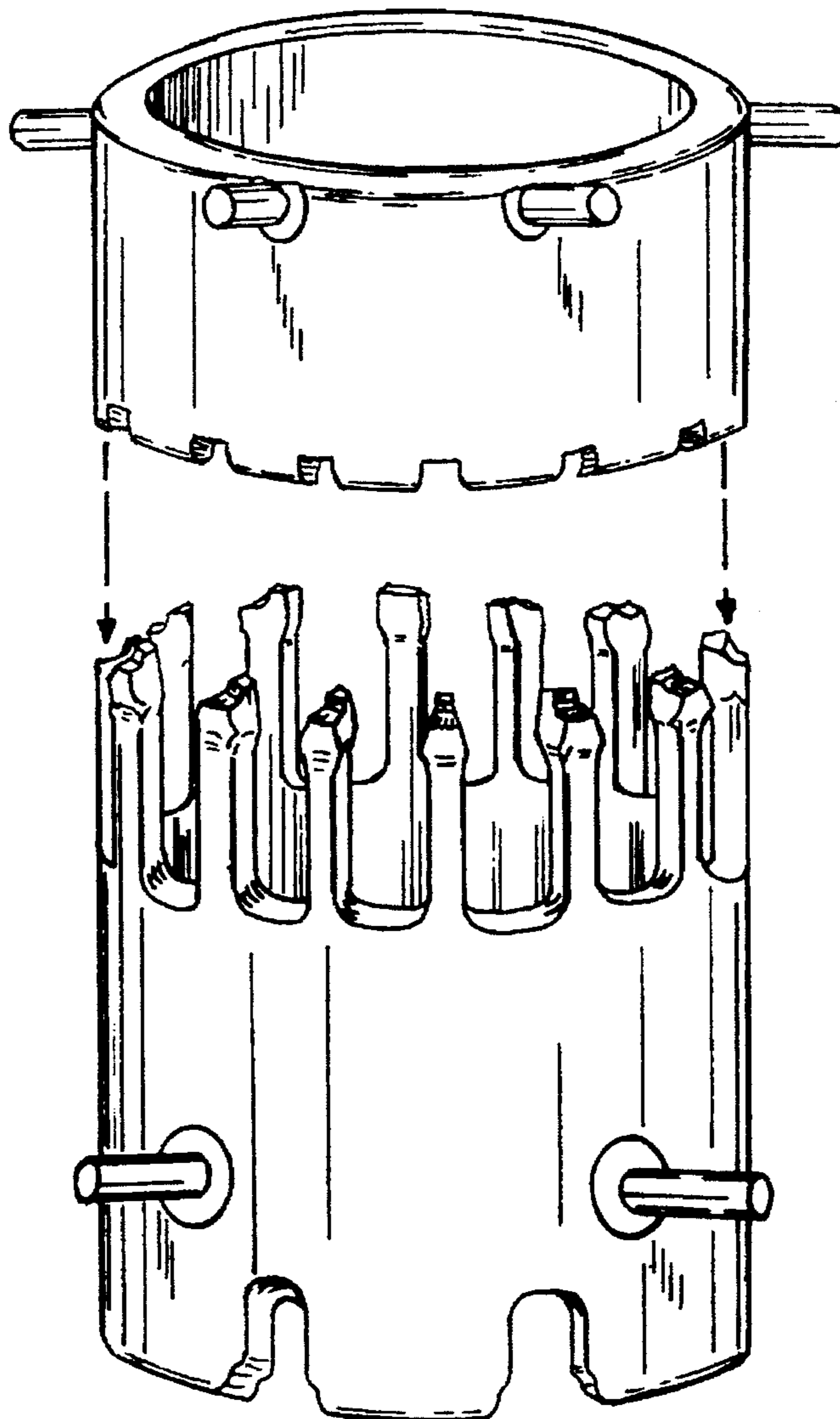
FIG. 1 is a perspective view of the two piece water jacket passage forming cylinder liner core showing my new design; FIG. 2 is an exposed perspective thereof; FIG. 3 is a side elevational view thereof; FIG. 4 is a front elevation thereof; FIG. 5 is a top plan view thereof; FIG. 6 is a rear elevational view thereof; and, FIG. 7 is a bottom plan view thereof.

[56] **References Cited**

U.S. PATENT DOCUMENTS

3,191,584 6/1965 Brahler 123/50 R
3,279,443 10/1966 Campbell 123/193.1 X

1 Claim, 2 Drawing Sheets



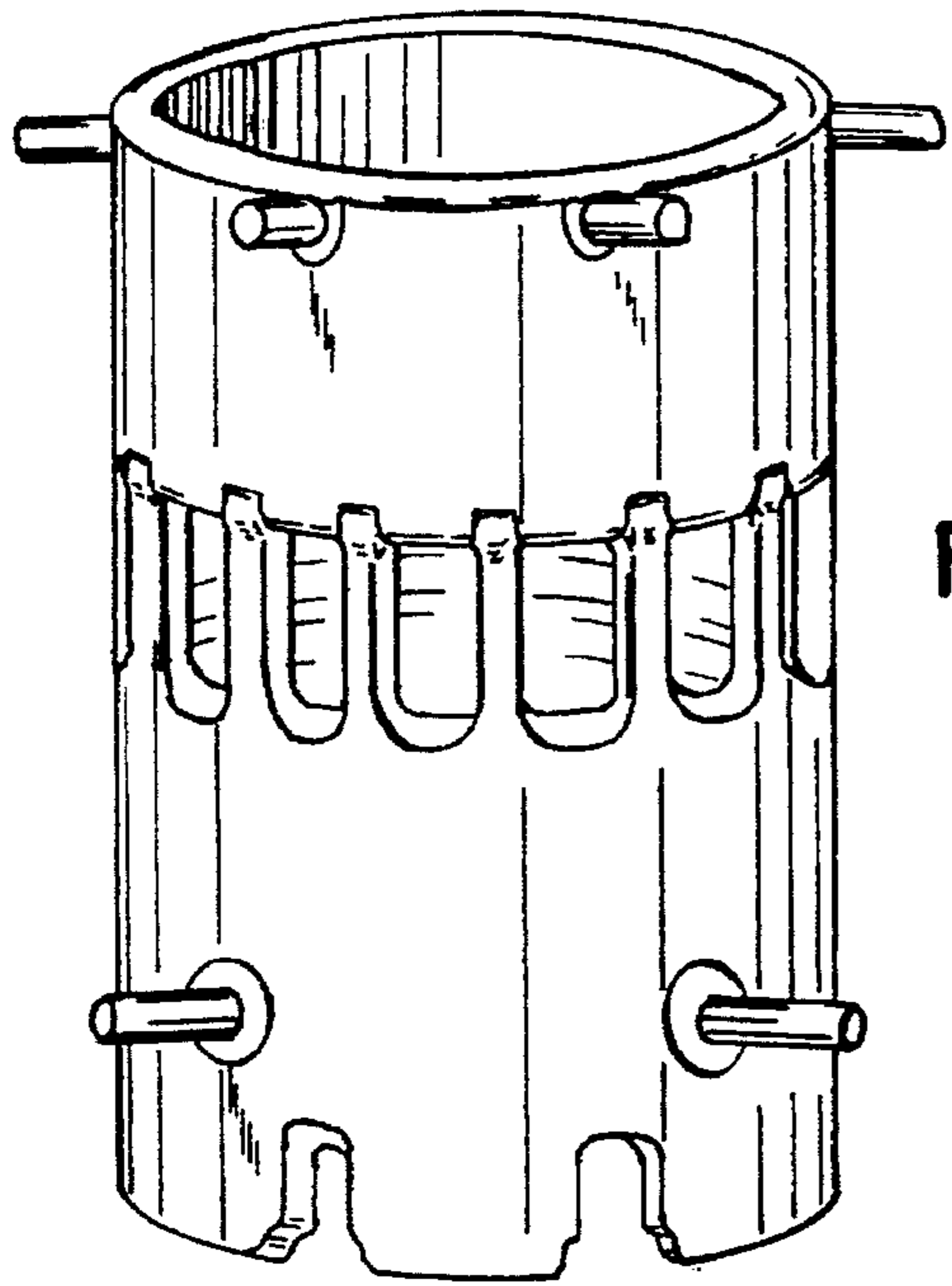


FIG. 1

FIG. 2

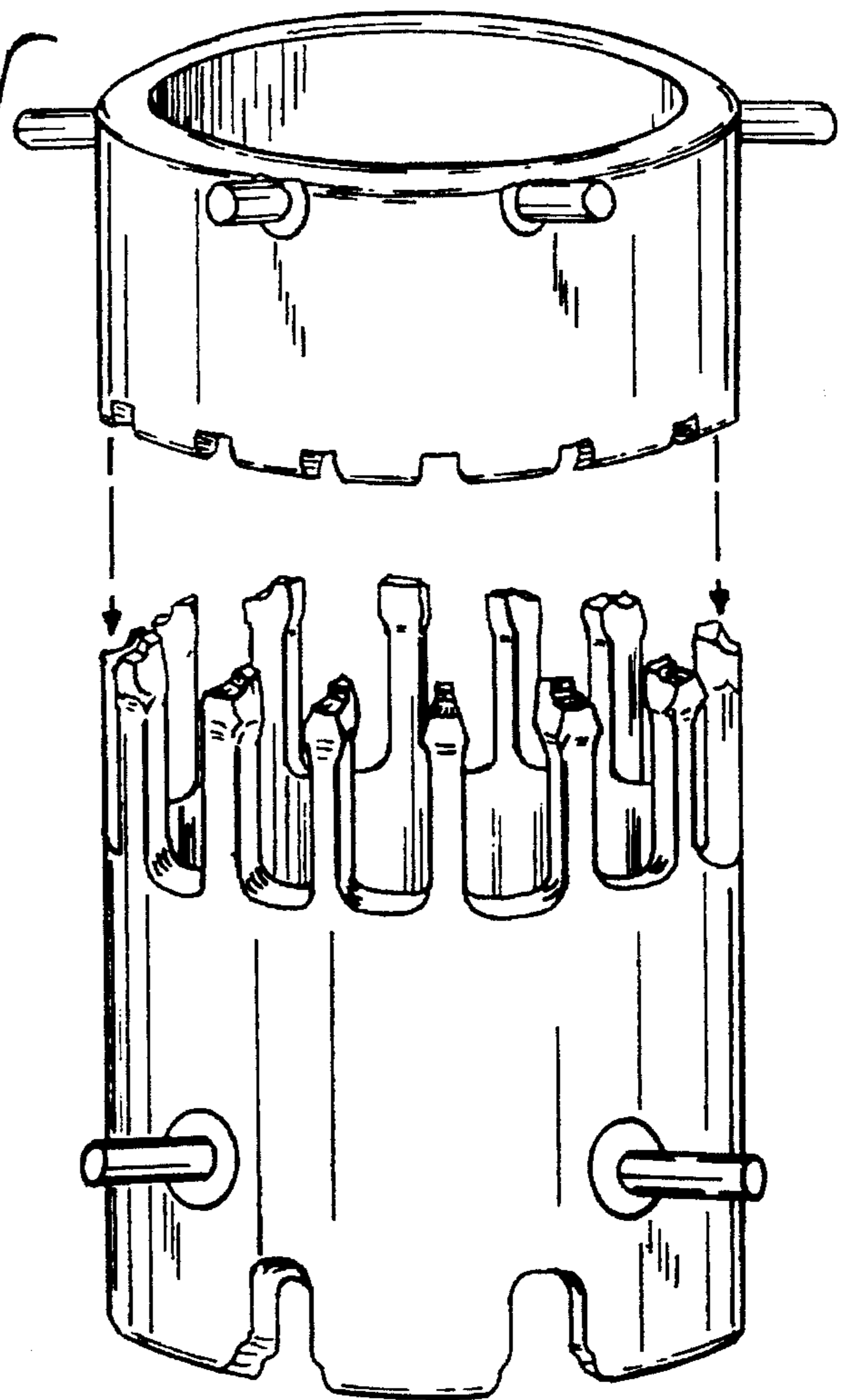


FIG. 3

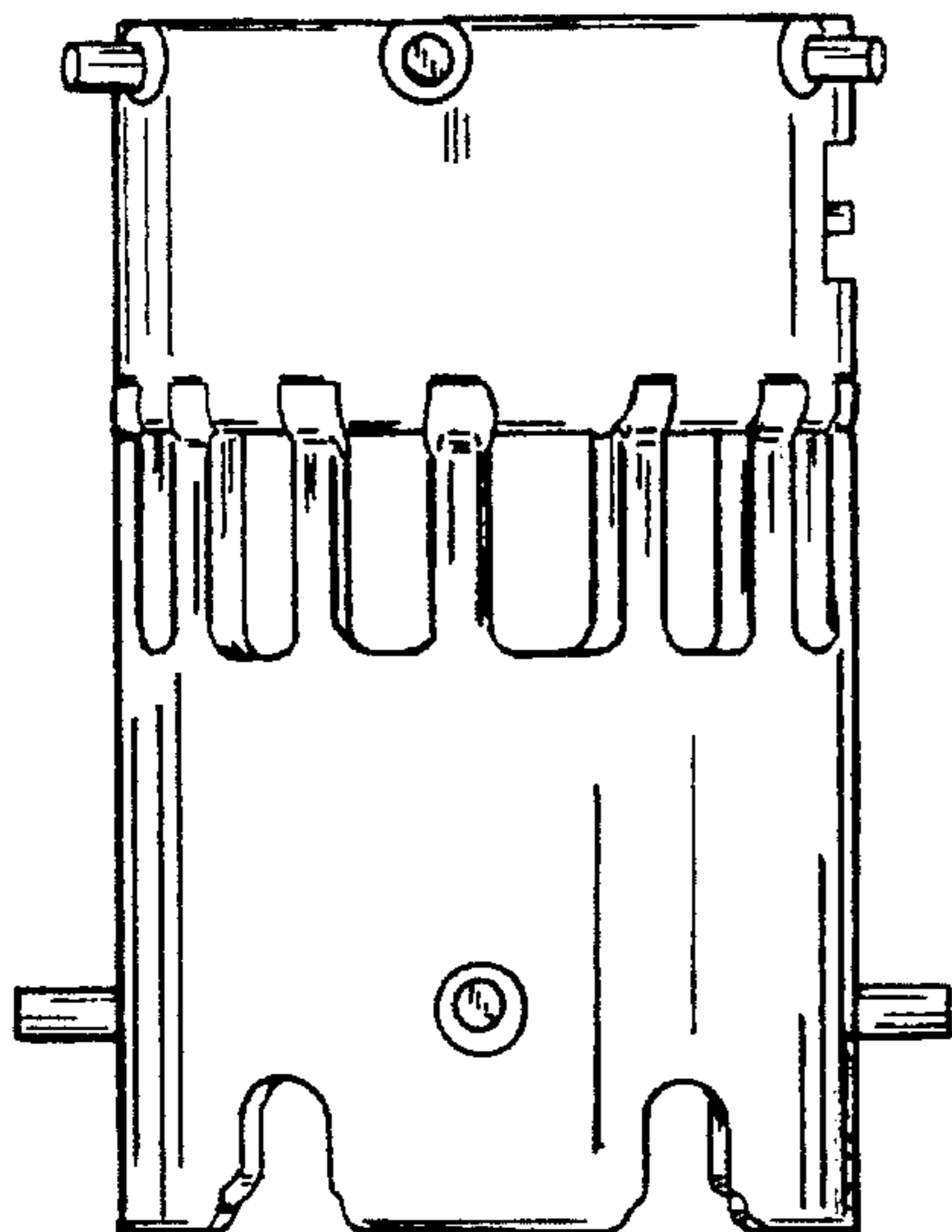


FIG. 4

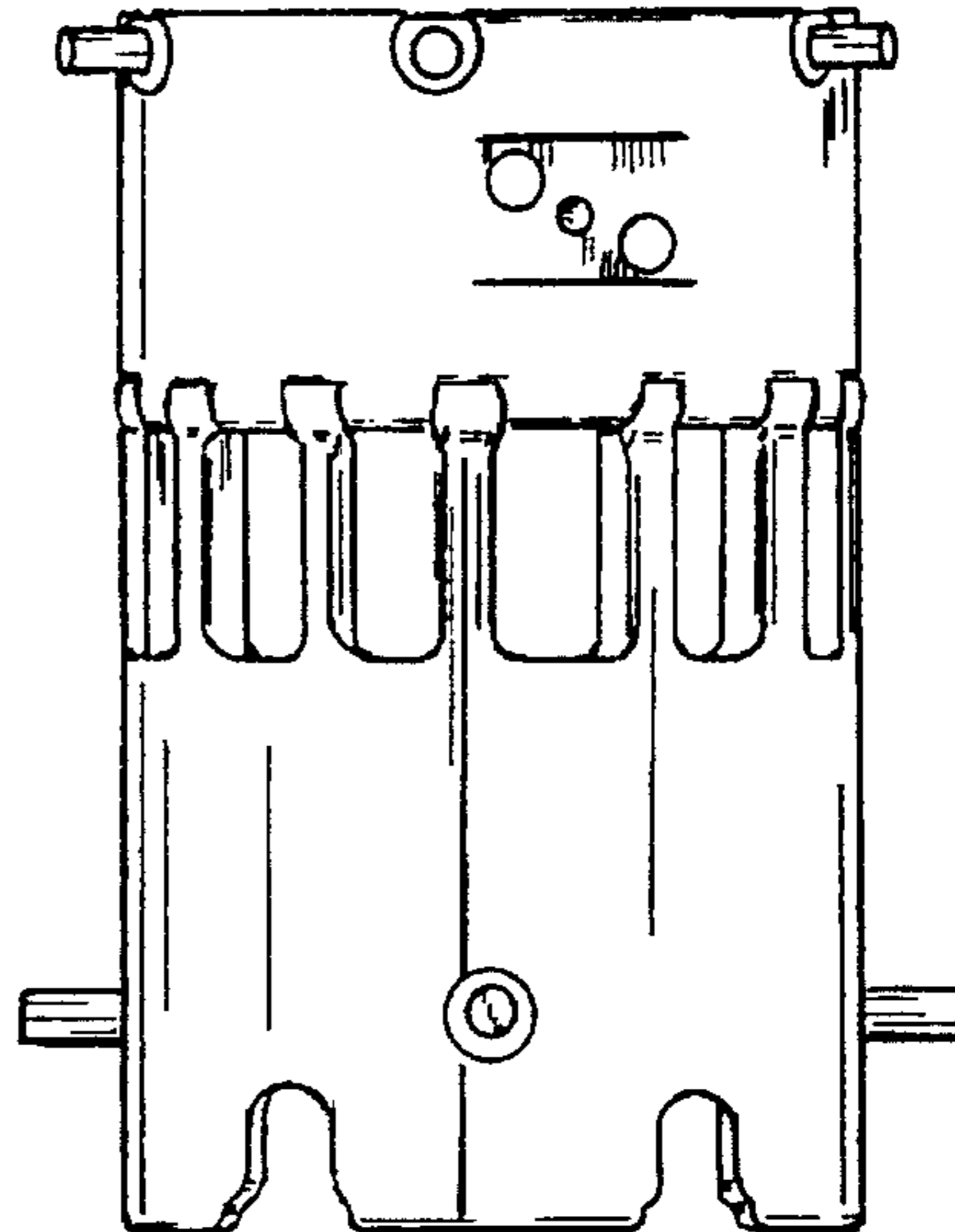


FIG. 5

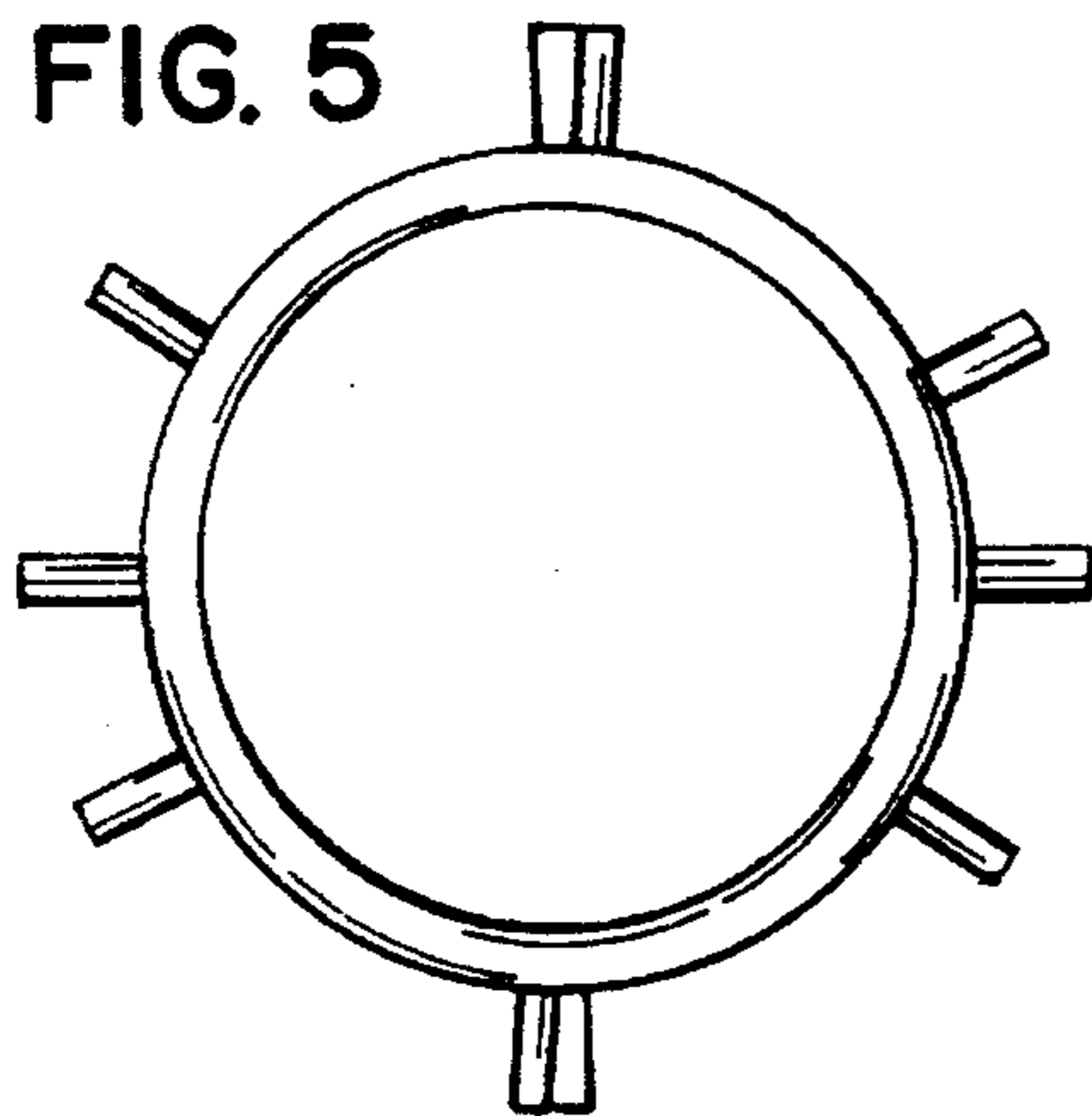


FIG. 6

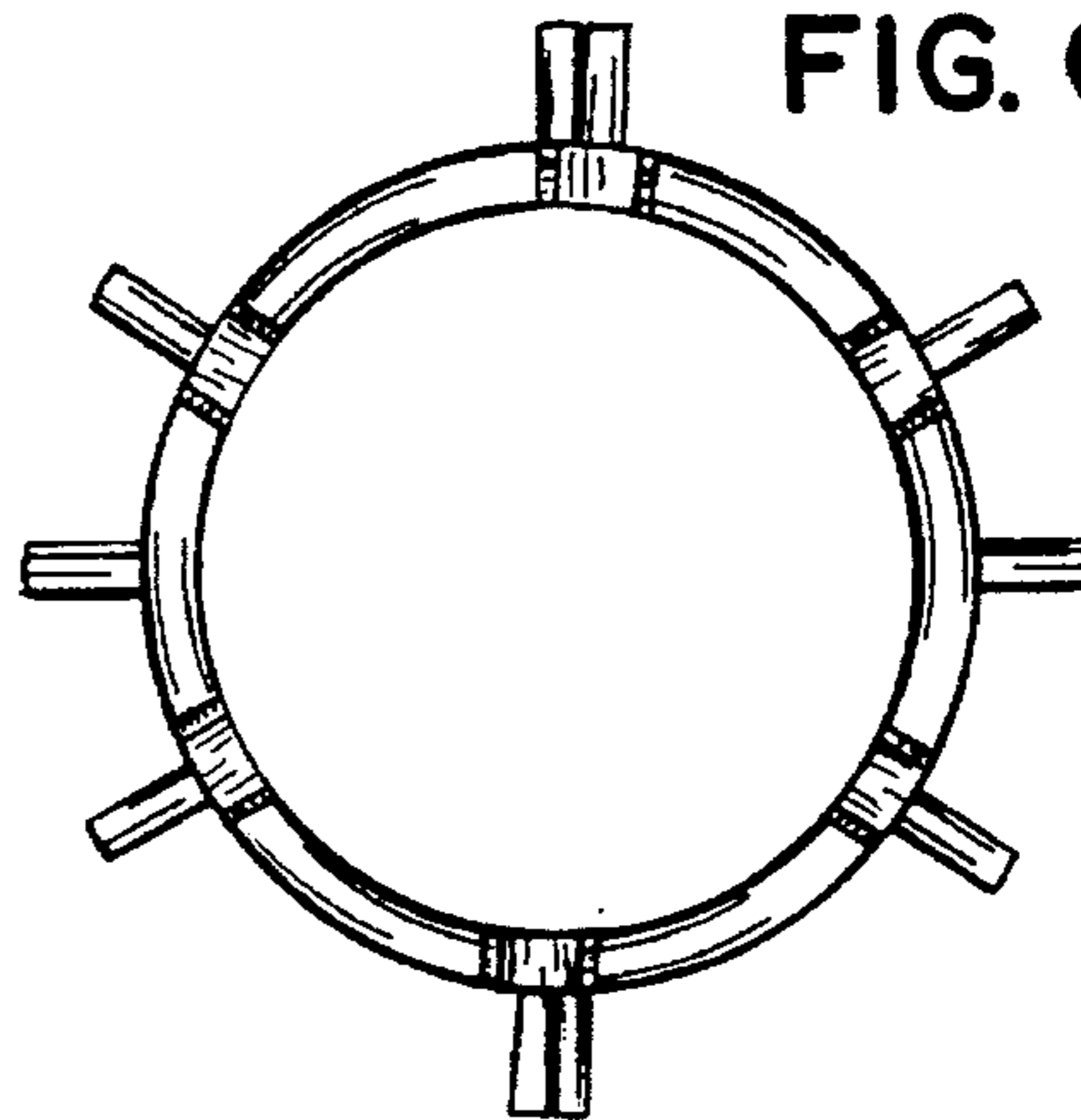


FIG. 7

