



US00D370699S

# United States Patent [19]

[11] Patent Number: **Des. 370,699**

Alford

[45] Date of Patent: **\*\*Jun. 11, 1996**

[54] **ANGLED TABLETOP SHUFFLEBOARD GAME**

3,762,711	10/1973	Cooper	.....	273/126 R
3,825,264	7/1974	Dockum	.....	273/126 R
3,907,294	9/1975	Breslow	.....	273/126 R X
4,513,964	4/1985	Gunderson	.....	273/126 R

[76] Inventor: **Arthur R. Alford**, 4100 Wolflin Ave., Amarillo, Tex. 79102

*Primary Examiner*—Prabhakar G. Deshmukh  
*Attorney, Agent, or Firm*—Norman B. Rainer

[\*\*] Term: **14 Years**

[57] **CLAIM**

[21] Appl. No.: **35,743**

The ornamental design for an angled tabletop shuffleboard game, as shown and described.

[22] Filed: **Mar. 6, 1995**

[52] U.S. Cl. .... **D21/7; D21/11**

**DESCRIPTION**

[58] **Field of Search** ..... D21/2-11; 273/126 R, 273/128 R, 115, 126 A, 121 R, 85 R, 85 C, 85 E, 108

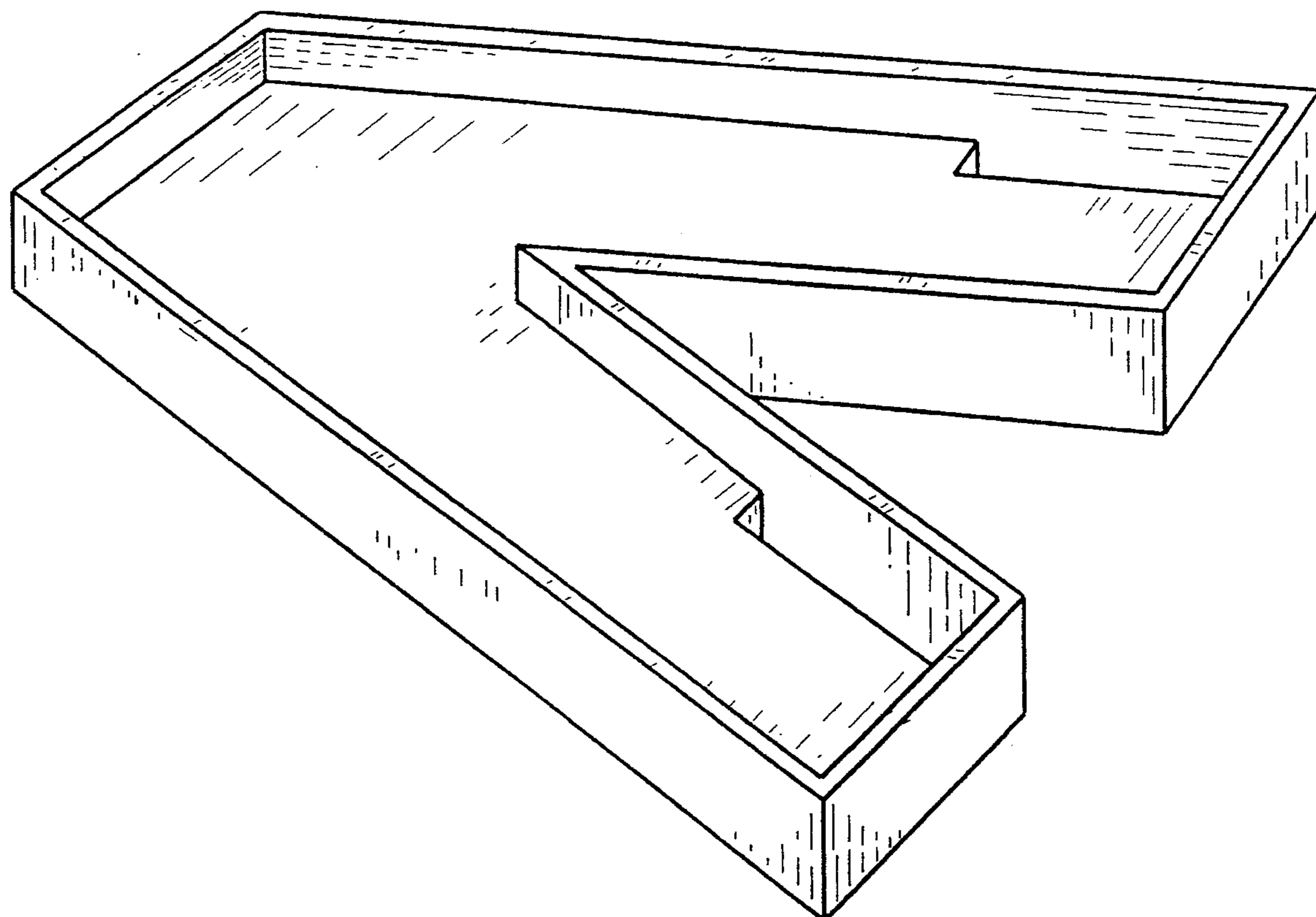
FIG. 1 is a top and side perspective view of an angled tabletop shuffleboard game showing my new design; FIG. 2 is a side view thereof, the opposite side being of mirror-image appearance; FIG. 3 is a top plan view thereof; FIG. 4 is a sectional view taken in the direction of the arrows upon the line 4—4 of FIG. 3; and, FIG. 5 is a sectional view taken in the direction of the arrows upon the line 5—5 of FIG. 3.

[56] **References Cited**

**U.S. PATENT DOCUMENTS**

D. 143,555	1/1946	Sharpe	.....	D21/11
D. 285,943	9/1986	Sadleir	.....	D21/11
3,219,349	11/1965	Smith	.....	273/126 R
3,572,717	3/1971	Anguella	.....	273/126 R
3,647,215	3/1972	Sterlicchi et al.	.....	273/126 R X

**1 Claim, 2 Drawing Sheets**



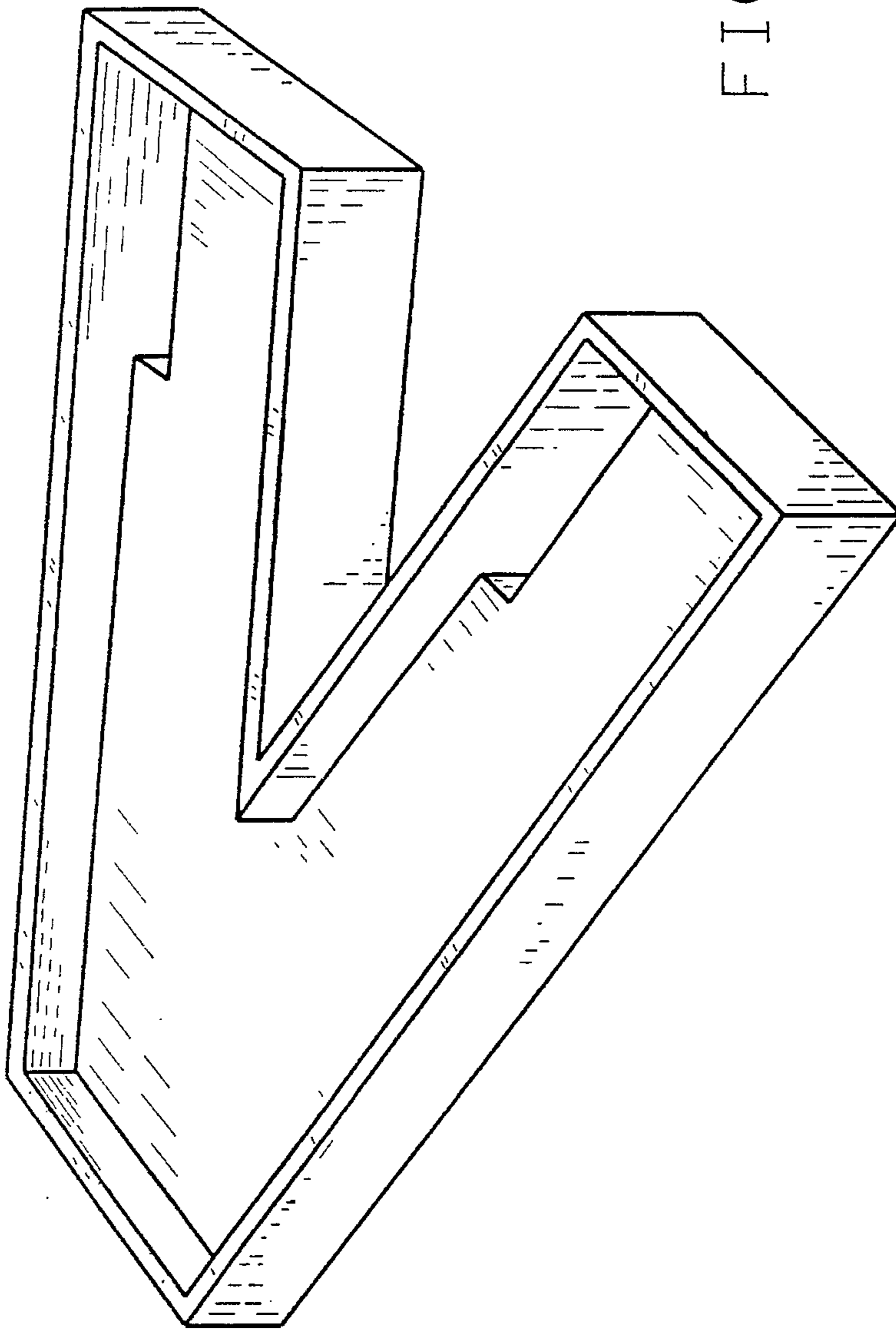


FIG. 1

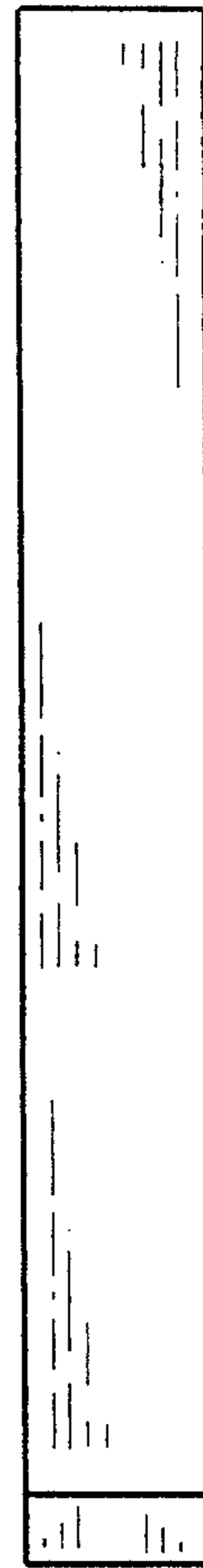


FIG. 2

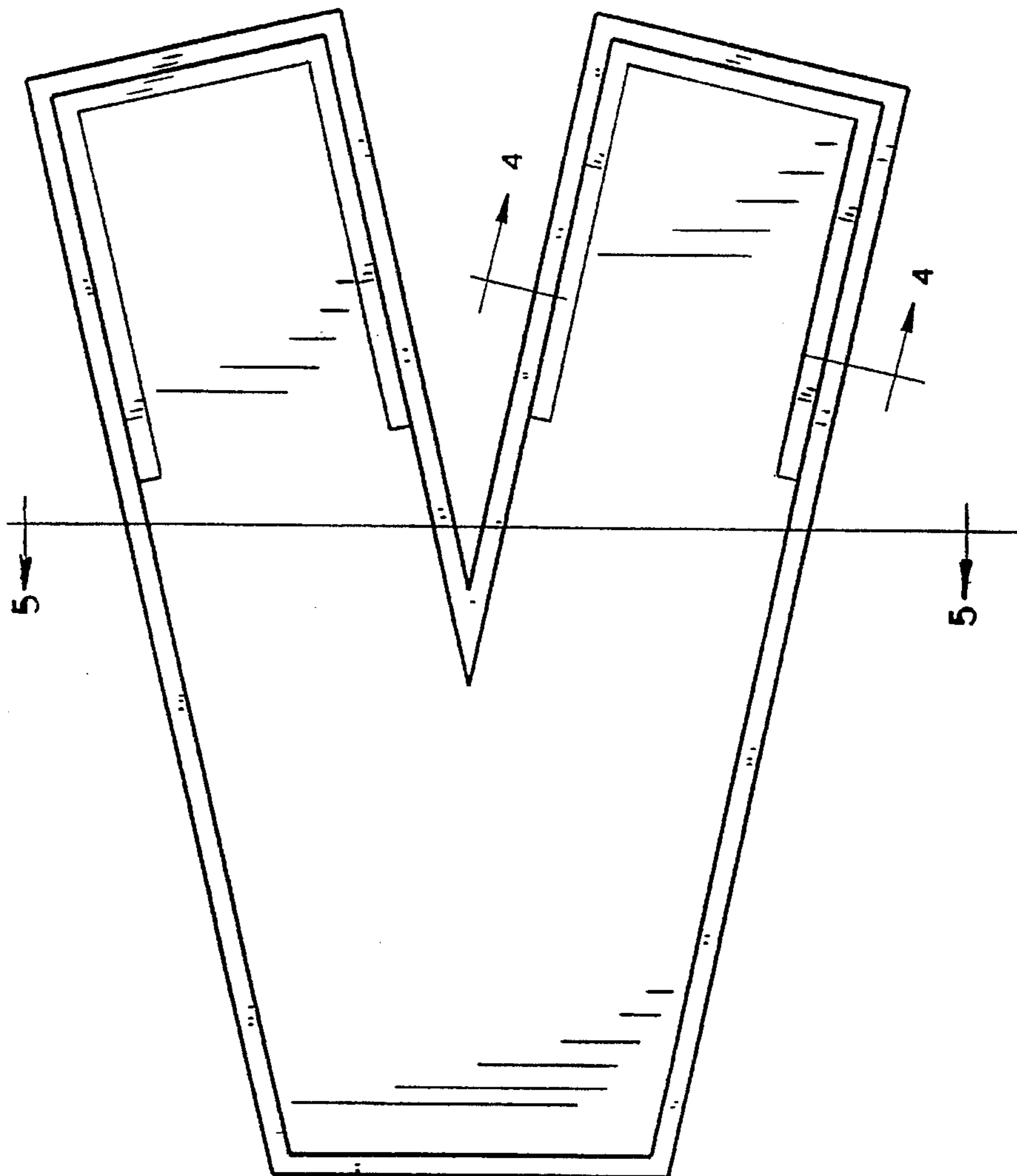


FIG. 4

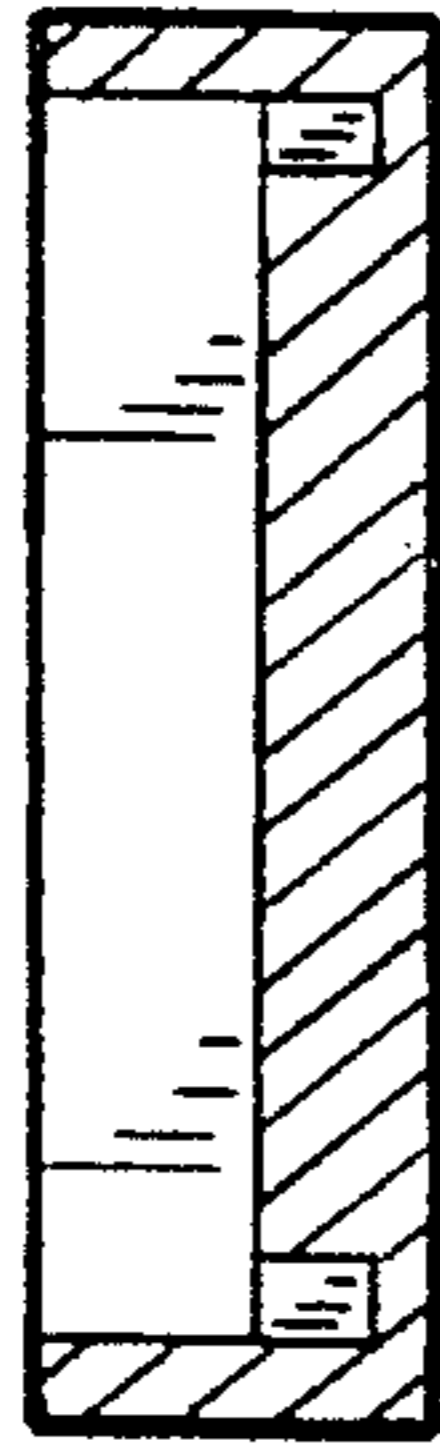


FIG. 5

