



US00D370691S

# United States Patent [19]

Benn

[11] Patent Number: **Des. 370,691**

[45] Date of Patent: **\*\*Jun. 11, 1996**

[54] **CLAMPING DEVICE FOR A FILE**

[75] Inventor: **Alexander Benn**, Stuttgart, Germany

[73] Assignee: **Kratzert & Schrem GmbH**, Pfullendorf, Germany

[\*\*] Term: **14 Years**

[21] Appl. No.: **11,199**

[22] Filed: **Jul. 29, 1993**

[30] **Foreign Application Priority Data**

Jan. 29, 1993 [DE] Germany ..... 9301246 U

[52] U.S. Cl. .... **D19/65; D19/86; D8/395**

[58] Field of Search ..... D19/65, 75, 78, D19/86, 90, 91, 99, 100, 26, 27, 32, 33; 24/67 R, 67.3, 67.5, 67.7, 67.11; D8/395

[56] **References Cited**

**U.S. PATENT DOCUMENTS**

D. 136,016	7/1943	Pollock	.....	D19/65
D. 225,906	1/1973	Cline	.....	D19/65
D. 235,060	5/1975	Tanaka	.....	D19/65
D. 354,986	1/1995	Chu	.....	D19/65
799,788	9/1905	Grünwald	.....	24/67 R
4,989,298	2/1991	Wang	.....	24/67 R

**FOREIGN PATENT DOCUMENTS**

1246673 8/1967 Germany ..... 24/67.9

**OTHER PUBLICATIONS**

Accogrip Advertisement, Jun. 1961, see binder/clamp combination, lower right.

*Primary Examiner*—Martie Thompson  
*Attorney, Agent, or Firm*—Evenson McKeown Edwards & Lenahan

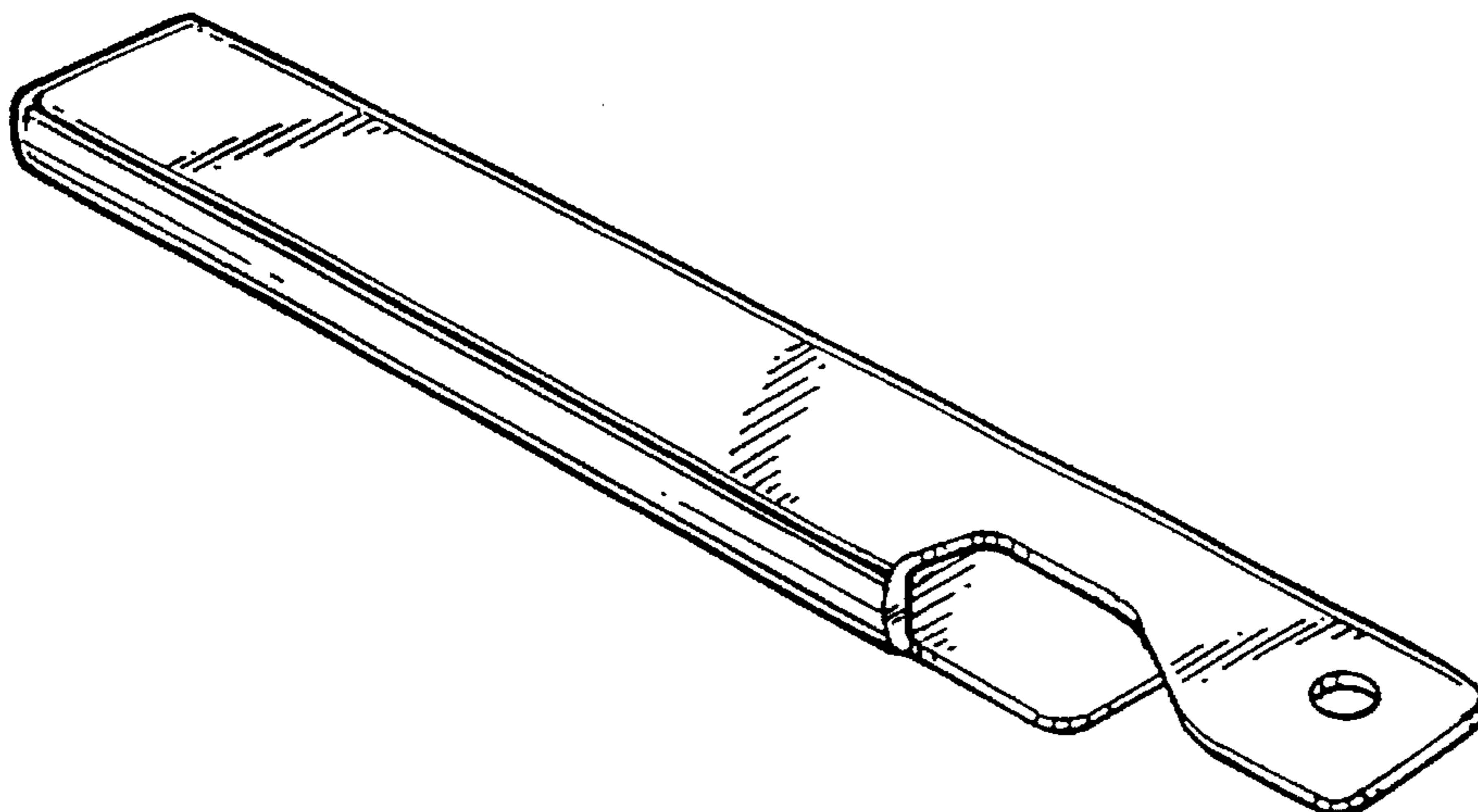
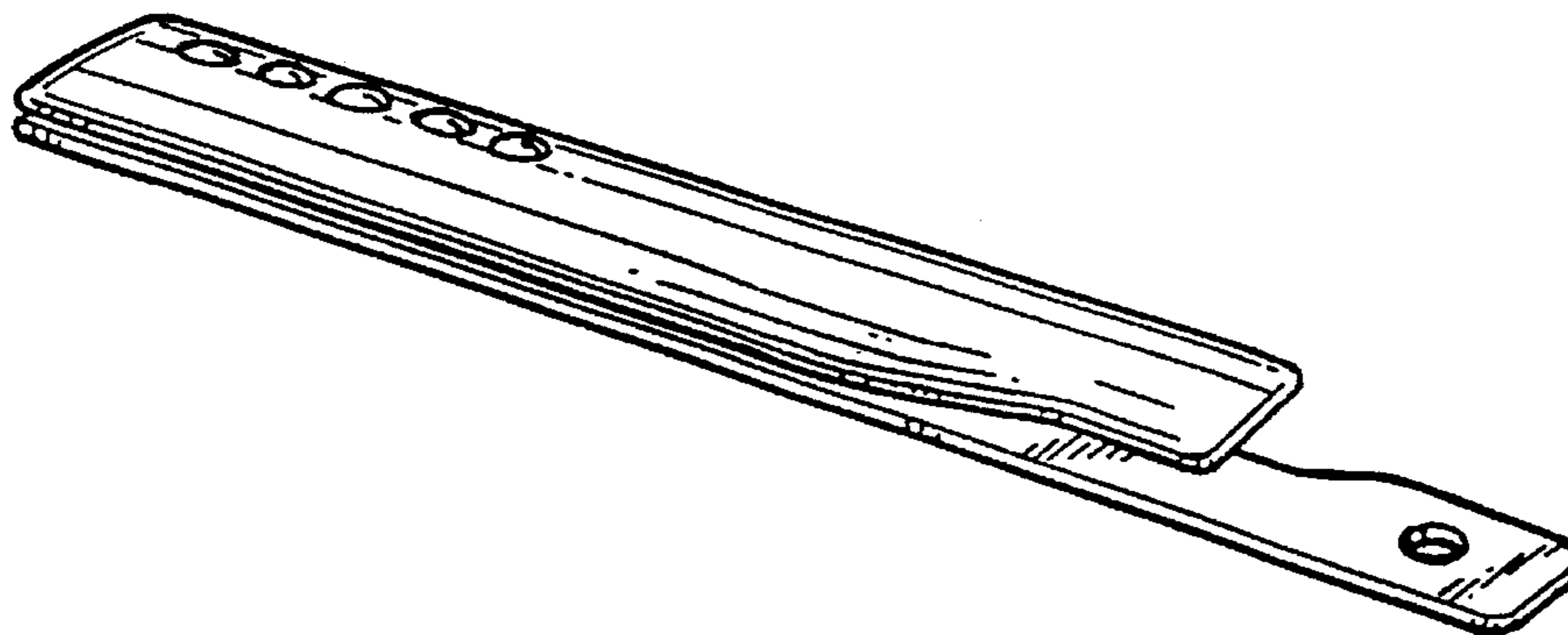
[57] **CLAIM**

The ornamental design for a clamping device for a file, as shown and described.

**DESCRIPTION**

FIG. 1 is a top plan view of a clamping device for a file showing my new design;  
FIG. 2 is a bottom plan view;  
FIG. 3 is a front elevational view;  
FIG. 4 is a rear elevational view;  
FIG. 5 is an end elevational view;  
FIG. 6 is a top, left front perspective view;  
FIG. 7 is a top, right front perspective view; and,  
FIG. 8 is a bottom, right rear perspective view thereof.

**1 Claim, 2 Drawing Sheets**



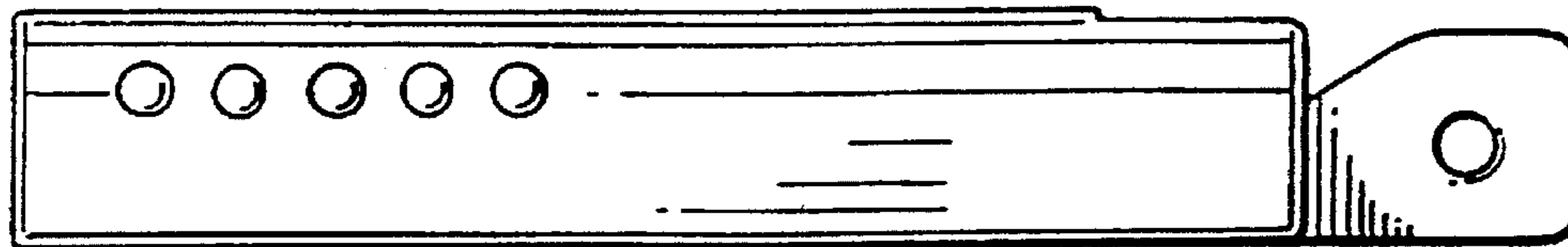


FIG. 1



FIG. 2

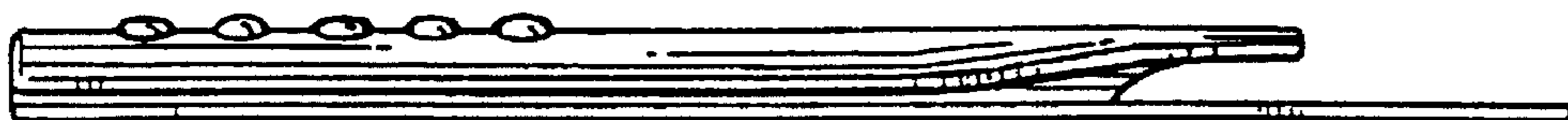


FIG. 3

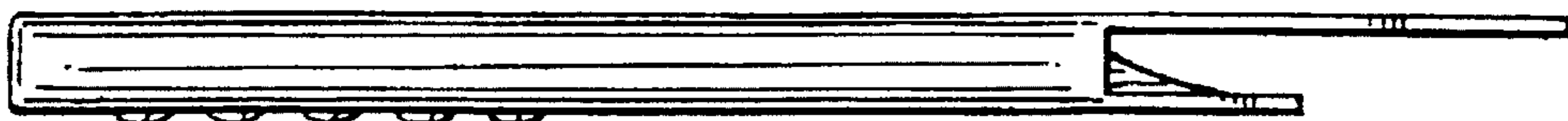


FIG. 4



FIG. 5

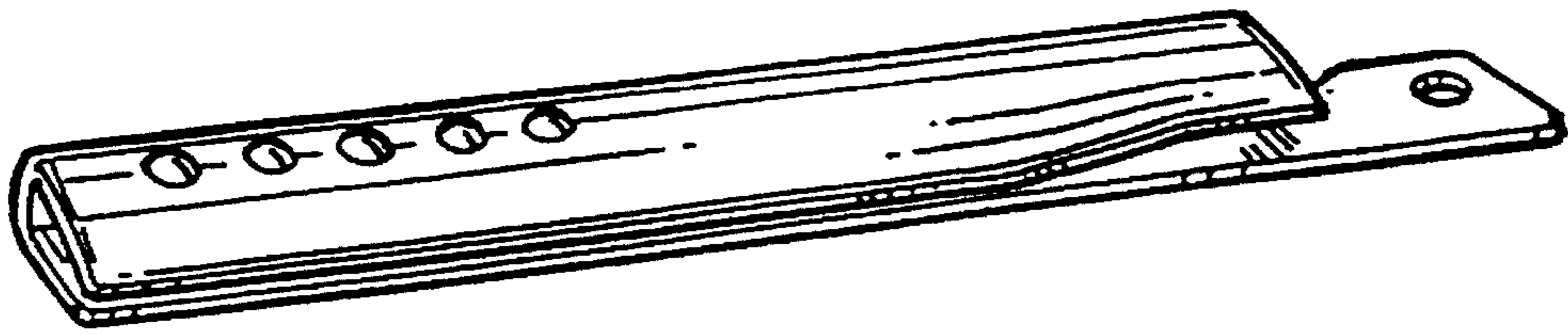


FIG. 6

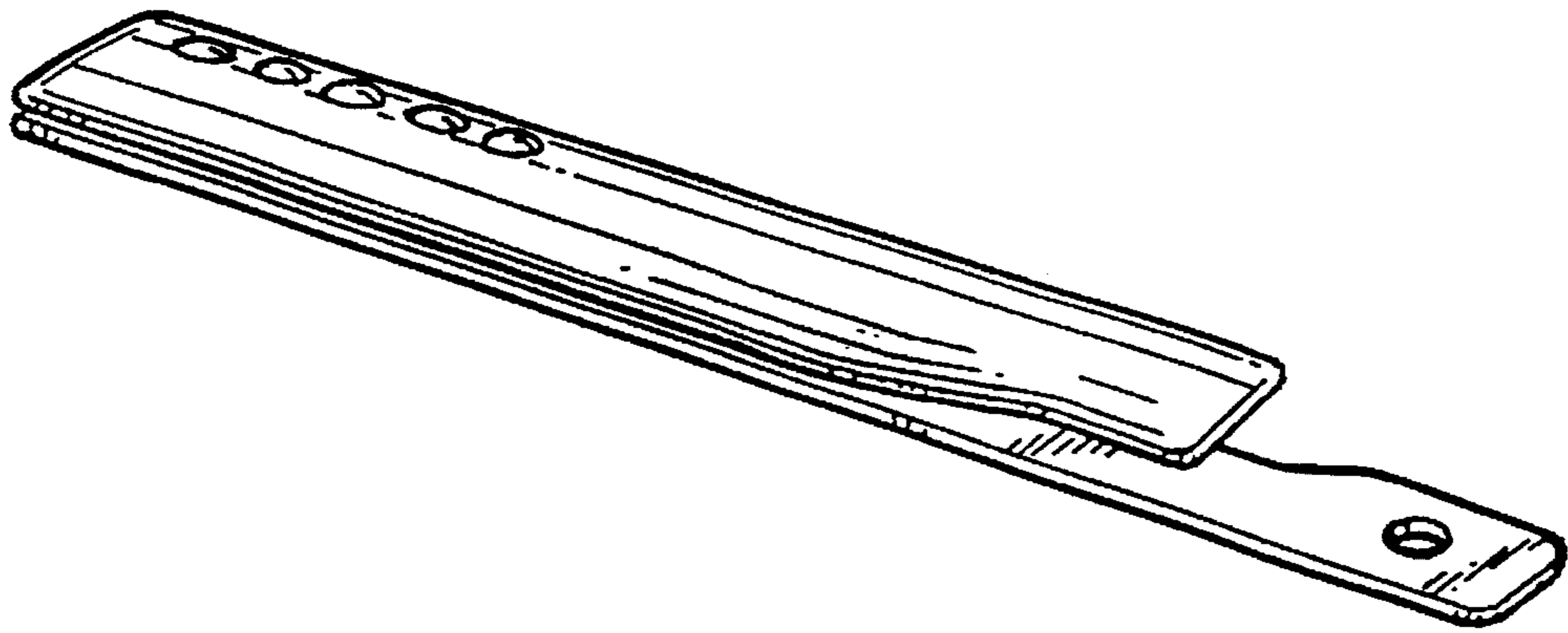


FIG. 7

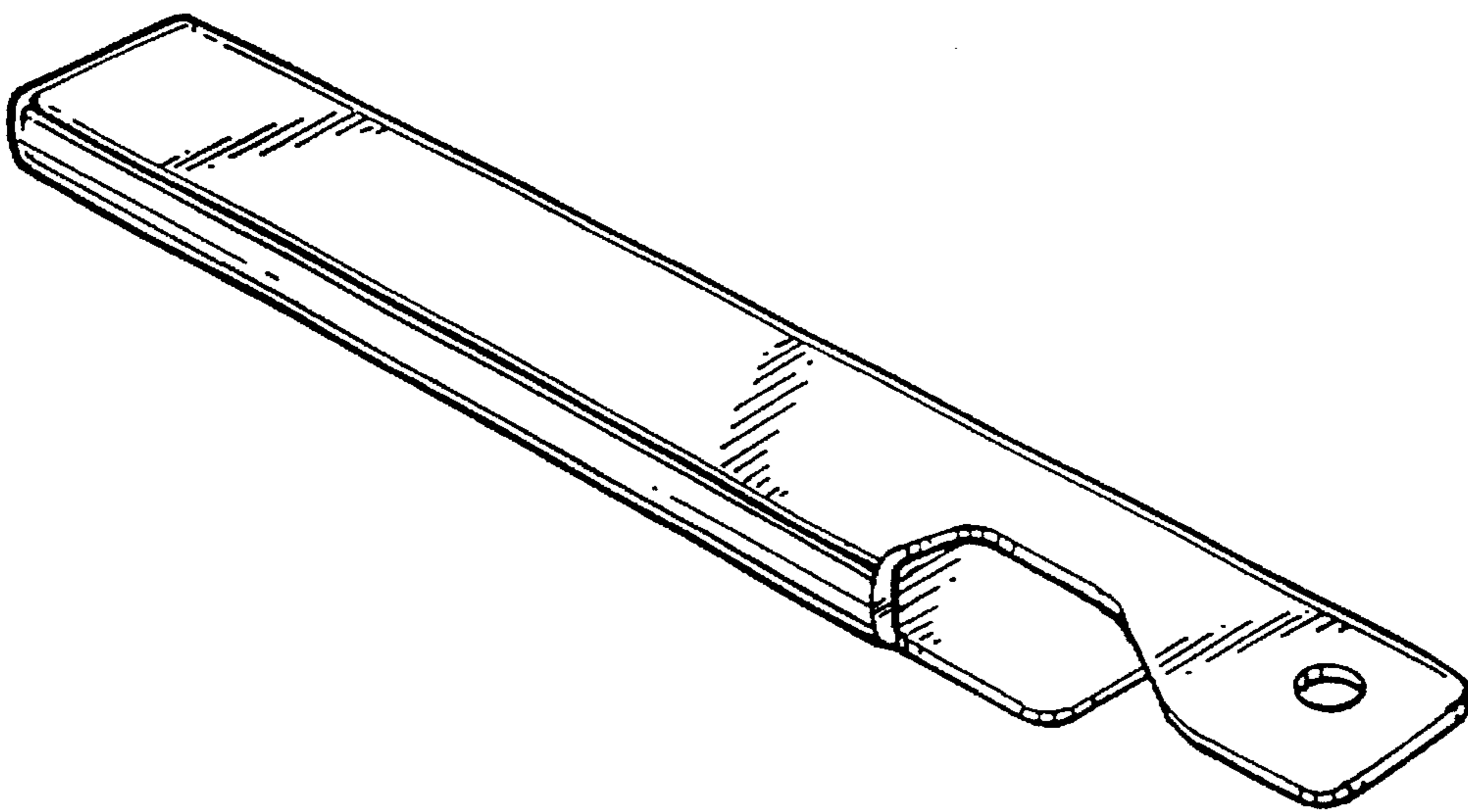


FIG. 8