



US00D370690S

United States Patent [19]

Pangburn et al.

[11] Patent Number: Des. 370,690

[45] Date of Patent: **Jun. 11, 1996

[54] CONTROL PANEL FOR A PRINTER

[75] Inventors: **Thomas E. Pangburn**, Lexington, Ky.;
Shelley A. Stankiewicz, Cincinnati, Ohio

[73] Assignee: **Lexmark International, Inc.**,
Greenwich, Conn.

[**] Term: 14 Years

[21] Appl. No.: 40,784

[22] Filed: Jun. 27, 1995

[52] U.S. Cl. D18/56; D18/39

[58] Field of Search D18/56, 54, 50,
D18/53, 37, 38, 39, 41, 40; D14/118; 400/690,
691, 692, 693, 694, 613.1, 613.2, 613.3,
613.4, 690.1, 690.2, 690.3, 690.4

[56] References Cited

U.S. PATENT DOCUMENTS

D. 318,479	7/1991	Nisheseke et al.	D18/39 X
D. 339,158	9/1993	Sato	D18/50
D. 343,409	1/1994	Kobayashi	D18/50
D. 362,675	9/1995	Umeda et al.	D18/39

OTHER PUBLICATIONS

Photographs submitted as drawings in U.S. Patent Application 29/028,200, filed Sep. 9, 1994, for the ornamental design of a printer.

Primary Examiner—Louis S. Zarfaz
Assistant Examiner—Frank Martinez
Attorney, Agent, or Firm—John A. Brady

[57] CLAIM

The ornamental design for a control panel for a printer, as shown and described.

DESCRIPTION

FIG. 1 is a top, right side perspective view of a control panel for a printer showing our new design, the dotted line showing of the environmental structure of a printer is for illustrative purposes only and forms no part of the claimed design;

FIG. 2 is a top plan view thereof;

FIG. 3 is a front elevational view thereof;

FIG. 4 is a right side elevational view thereof; and,

FIG. 5 is a left elevational view thereof.

1 Claim, 3 Drawing Sheets

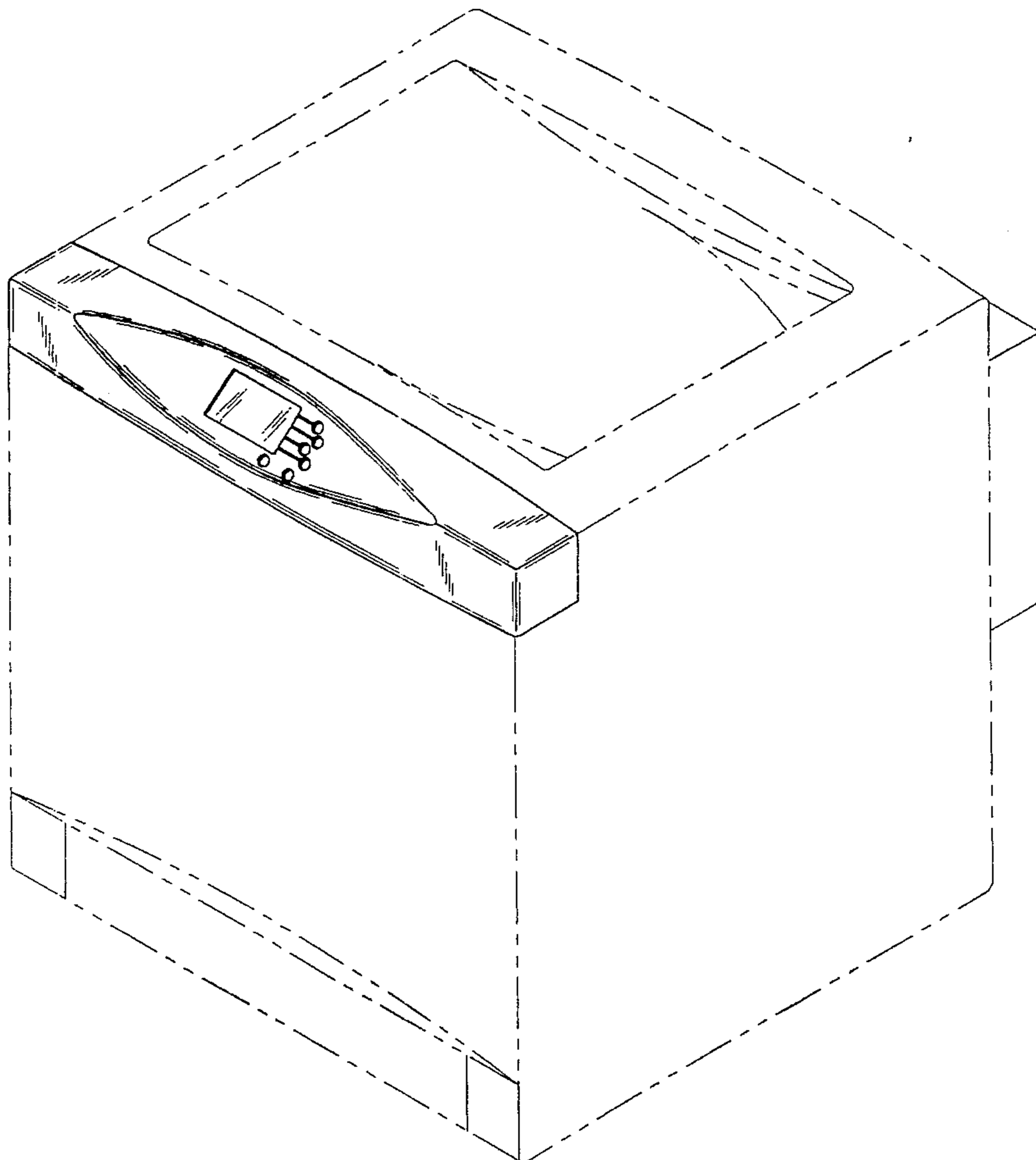


FIG. 1

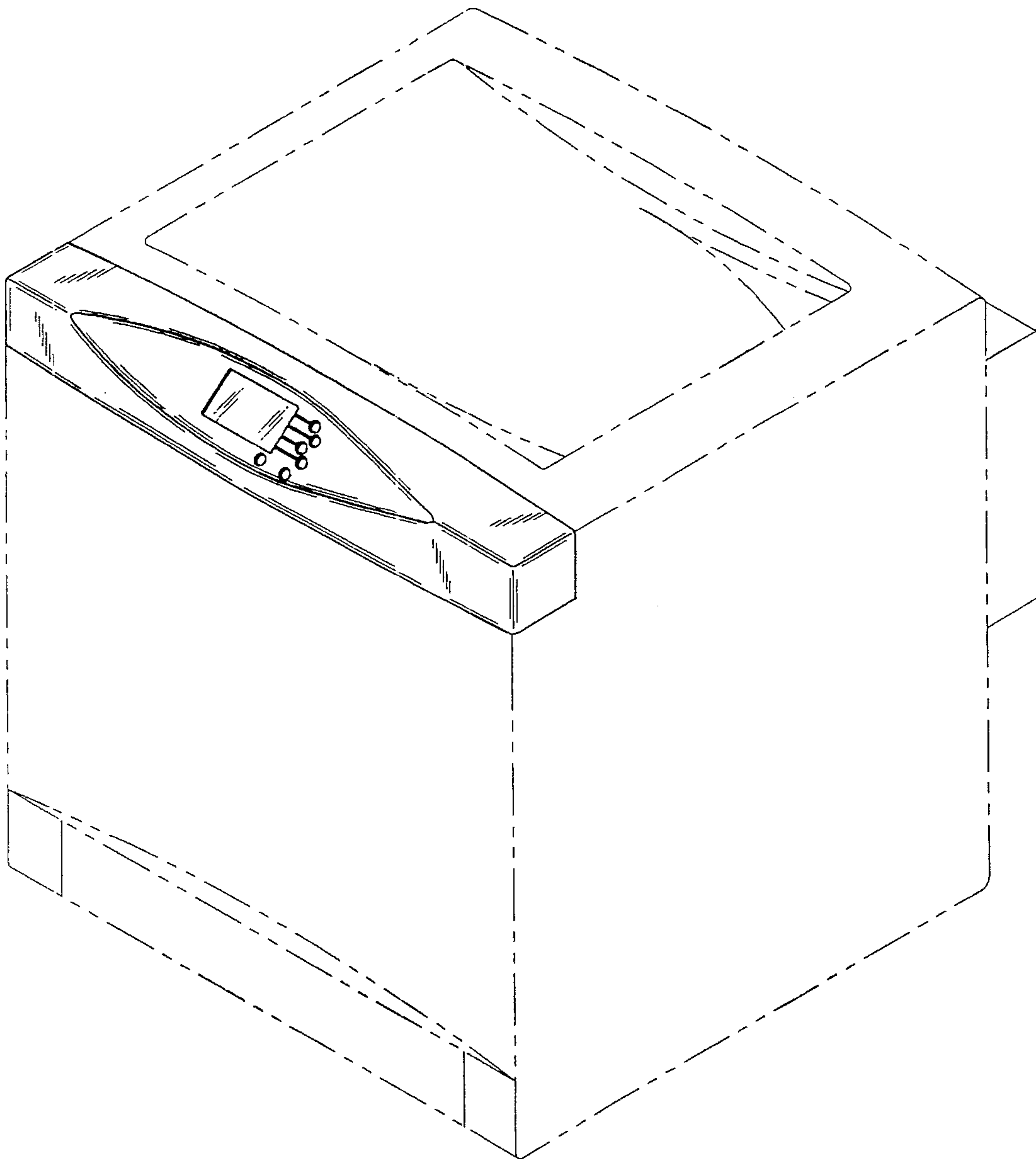


FIG. 2

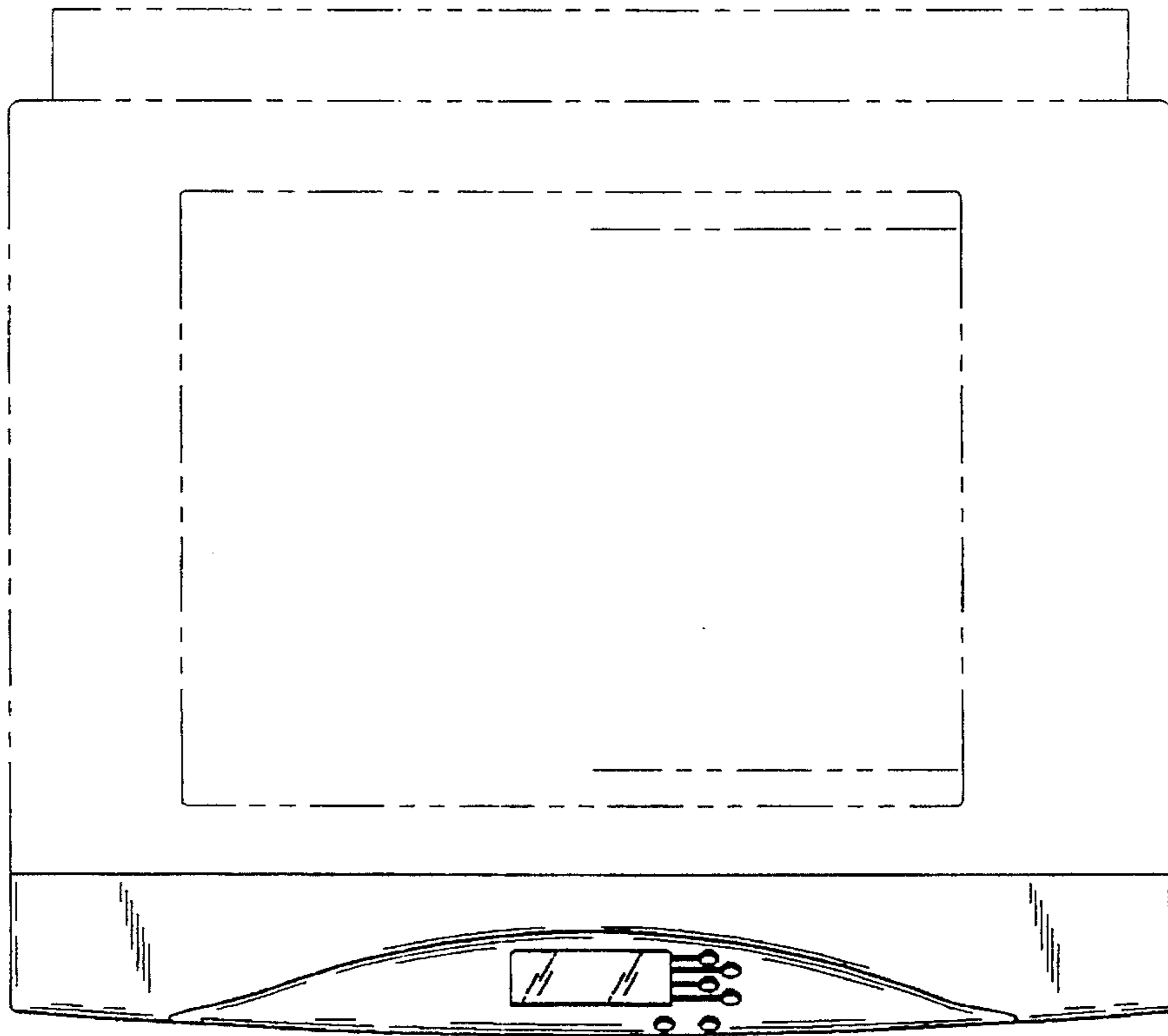


FIG. 3

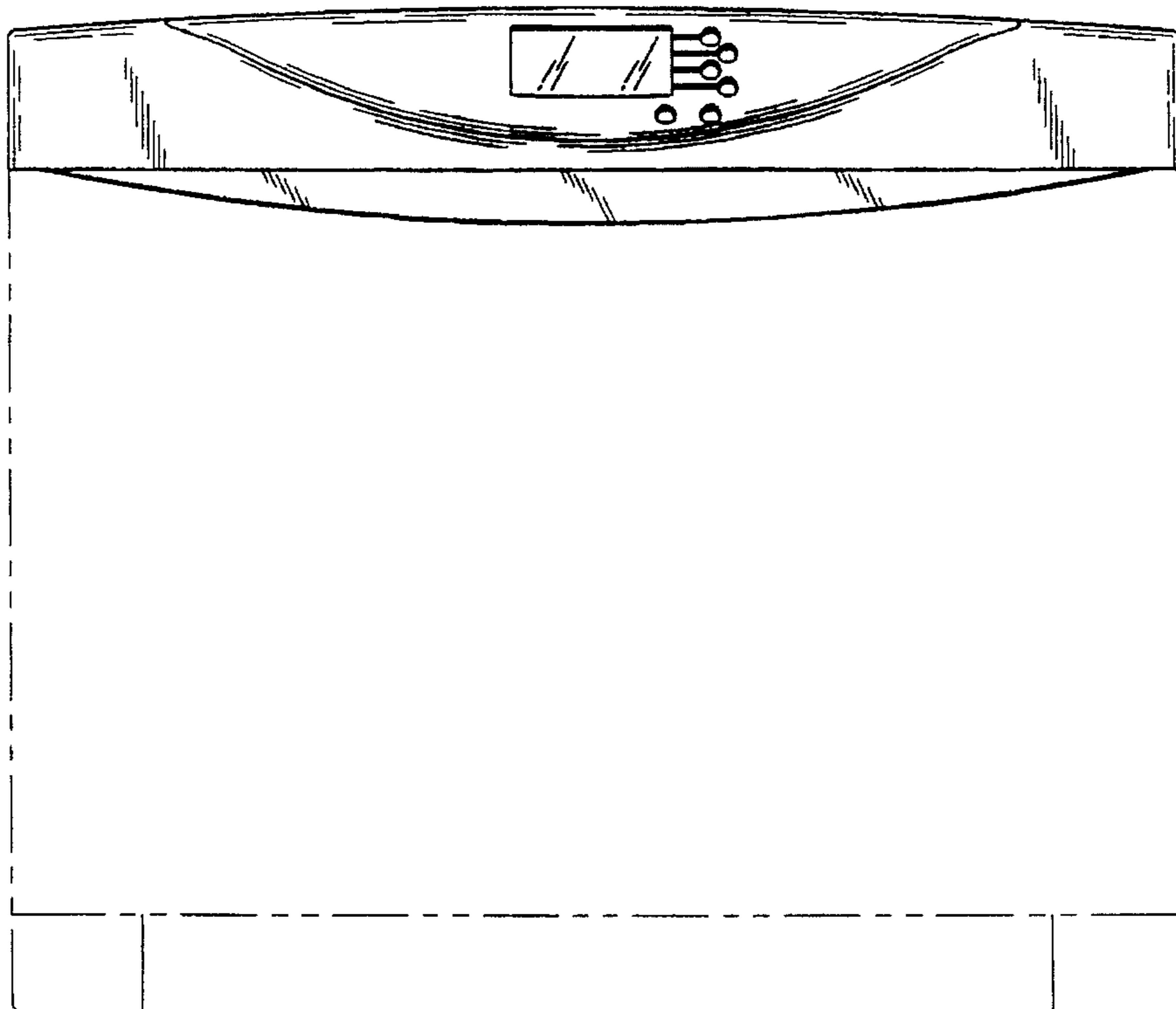


FIG. 4

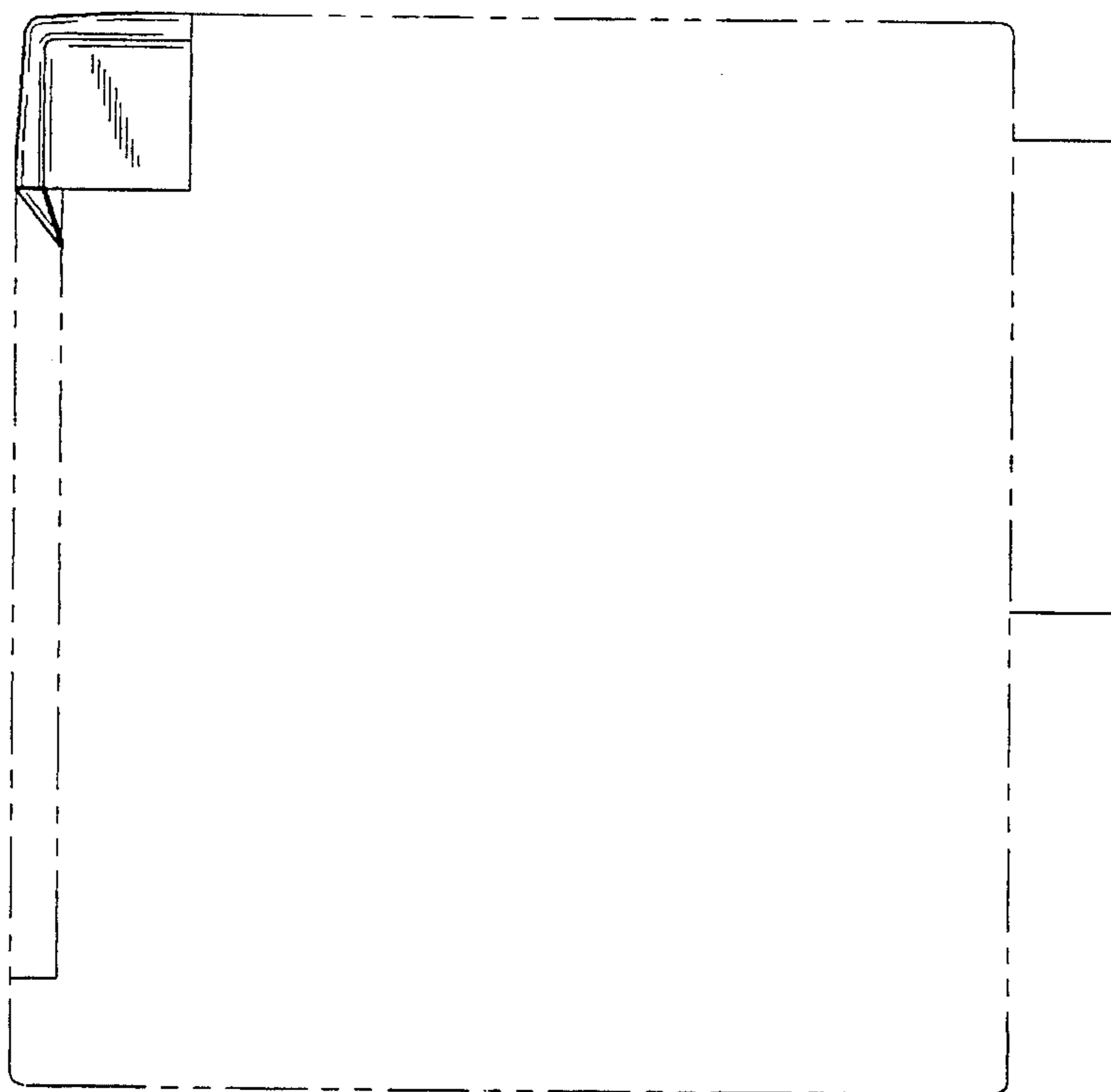


FIG. 5

