



US00D370689S

United States Patent [19]

[11] Patent Number: **Des. 370,689**

Harris

[45] Date of Patent: ****Jun. 11, 1996**

[54] **PAPER SHREDDER**

[75] Inventor: **J. Malcolm Harris**, Statesville, N.C.

[73] Assignee: **Hunt Holdings, Inc.**, Wilmington, Del.

[**] Term: **14 Years**

[21] Appl. No.: **33,322**

[22] Filed: **Jan. 10, 1995**

[52] U.S. Cl. **D18/34**

[58] Field of Search D18/99, 34, 35;
D19/72; 225/93, 96.5, 106, 1; 241/166,
167, 100, 235, 236, 284 R, 285 A; 83/500,
664

[56] **References Cited**

U.S. PATENT DOCUMENTS

| | | | |
|------------|---------|--------------------|-----------|
| D. 225,179 | 11/1972 | Macowski | D18/34 |
| D. 327,904 | 7/1992 | Silver et al. | D18/34 |
| D. 329,658 | 9/1992 | Hassel | D18/34 |
| 4,997,134 | 3/1991 | MacGregor | 241/236 X |
| 5,054,695 | 10/1991 | Koornhof | 241/236 X |
| 5,071,080 | 12/1991 | Herbst et al. | 241/166 |

OTHER PUBLICATIONS

Media Office Supply Co. Inc., p. 898, Item Nos. GBC-1750500 and GBC-1750400, GBC Shredmaster™ 96X and 91S 1994.

Media Office Supply Co., Inc., p. 899, Item Nos. FEL-36170 and FEL-36180, Cross-Cut Shredder, Fellowes® PS70 and PS80 1994.

Media Office Supply Co. Inc., p. 899, Item No. WLJ-60, Strip-Cut Shredder, WilsonJones® 1994.

Shinn Chang Business Machinery Co., Operation Manual Model C-22cc Publication date unknown.

Shing Chang Business Machinery Co., Operation Manual, SHRED-ET Model Publication Date unknown.

D-Mail U.S.A., Inc., 1995 vol. 116, p. 15, Item No. E132, Personal Mini Shredder.

Media Office Supply Co. Inc., p. 898, Item No. UNV-38960, Paper Shredder, Universal® Office Products 1994.

Media Office Supply Co., Inc., p. 898, Item Nos. FEL-36087 and FEL-36070, Paper Shredder, Fellowes® PS50 1994.

Copy of front of box in which claimed invention is sold and displayed, ©1994, distributed Oct. 1994.

Primary Examiner—Martie Thompson

Attorney, Agent, or Firm—Synnestvedt & Lechner

[57] **CLAIM**

The ornamental design for a paper shredder, as shown and described.

DESCRIPTION

FIG. 1 is a top perspective view of a paper shredder showing my new design;

FIG. 2 is a bottom perspective view;

FIG. 3 is a top plan view;

FIG. 4 is a bottom plan view;

FIG. 5 is a front end elevation view;

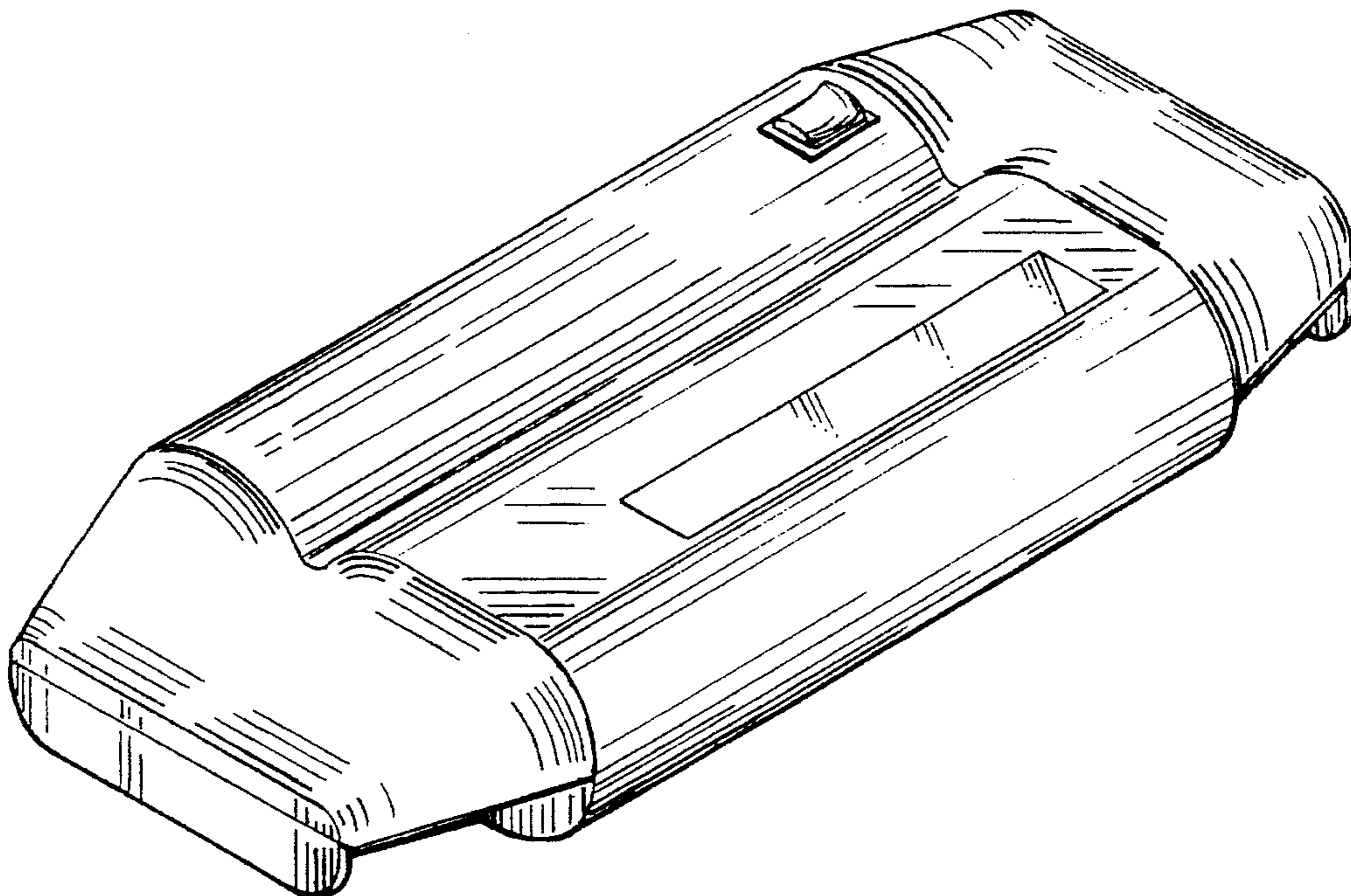
FIG. 6 is a rear end elevation view;

FIG. 7 is a side elevational view as seen from the left of FIG. 3; and,

FIG. 8 is a side elevational view as seen from the right of FIG. 3.

The fragmentary power cord depicted by means of broken lines in FIGS. 2, 3, 4, 6, 7 and 8 has been provided for illustrative purposes only and forms no part of the claimed design.

1 Claim, 7 Drawing Sheets



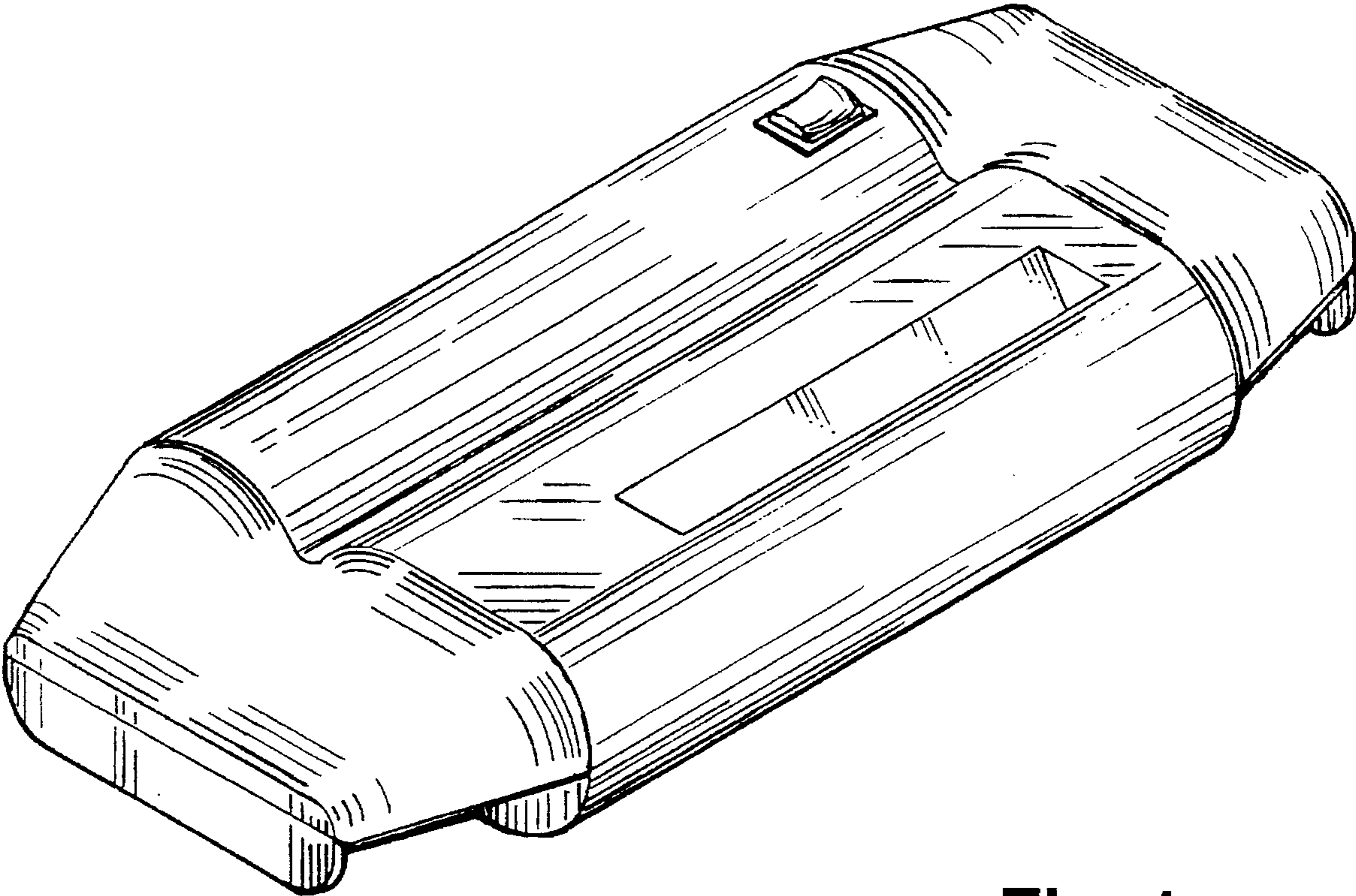


Fig. 1

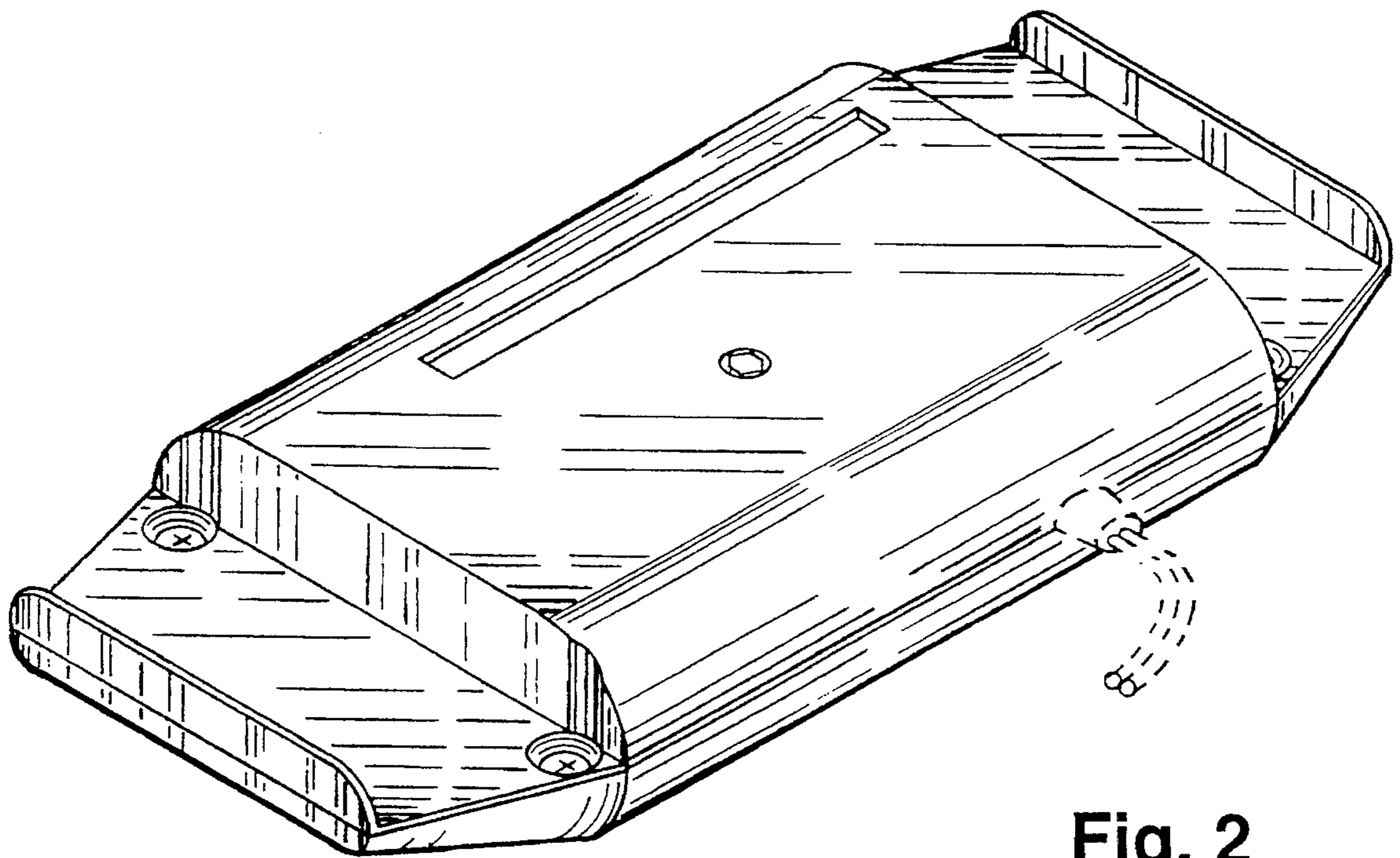


Fig. 2

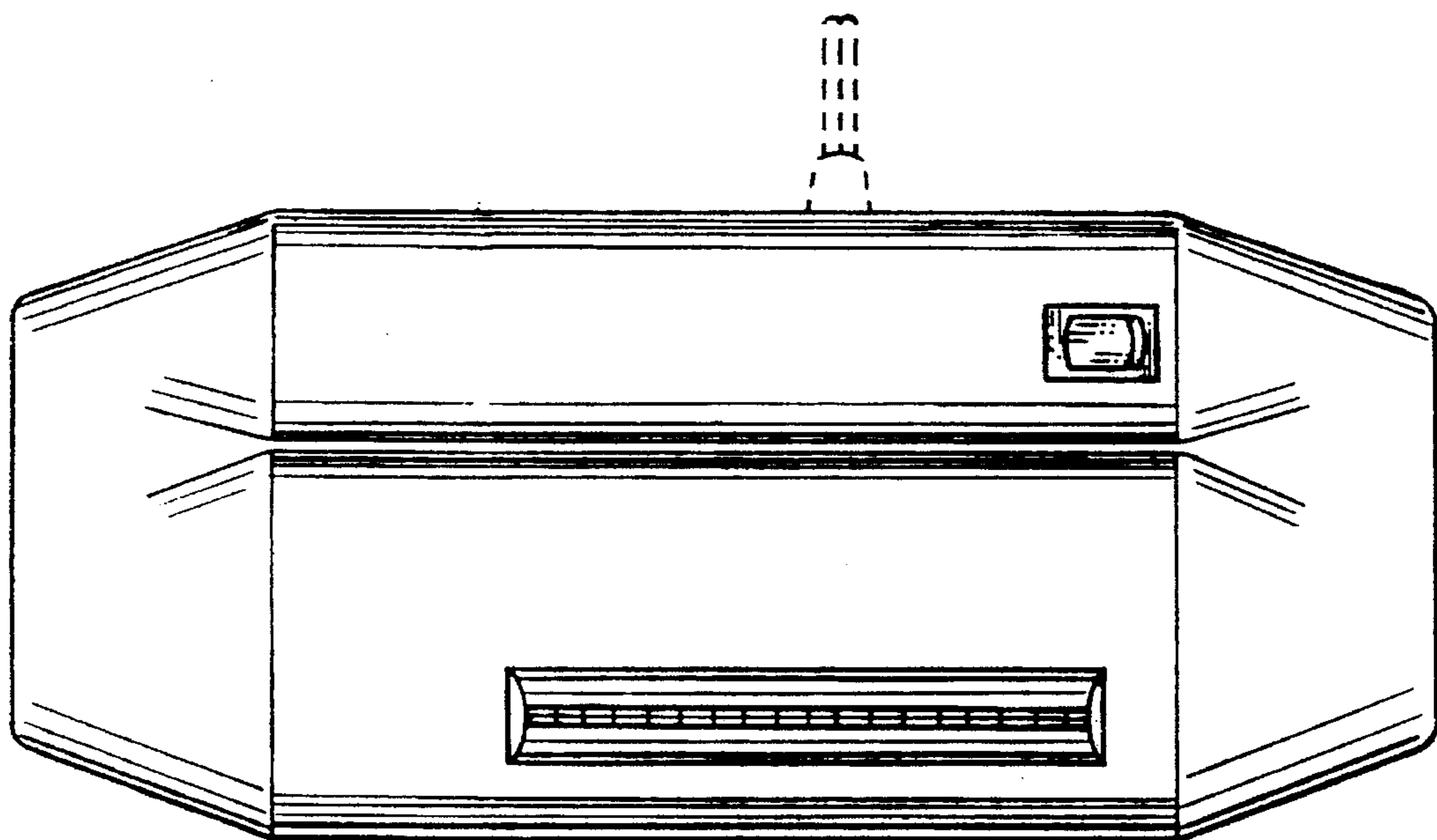


Fig. 3

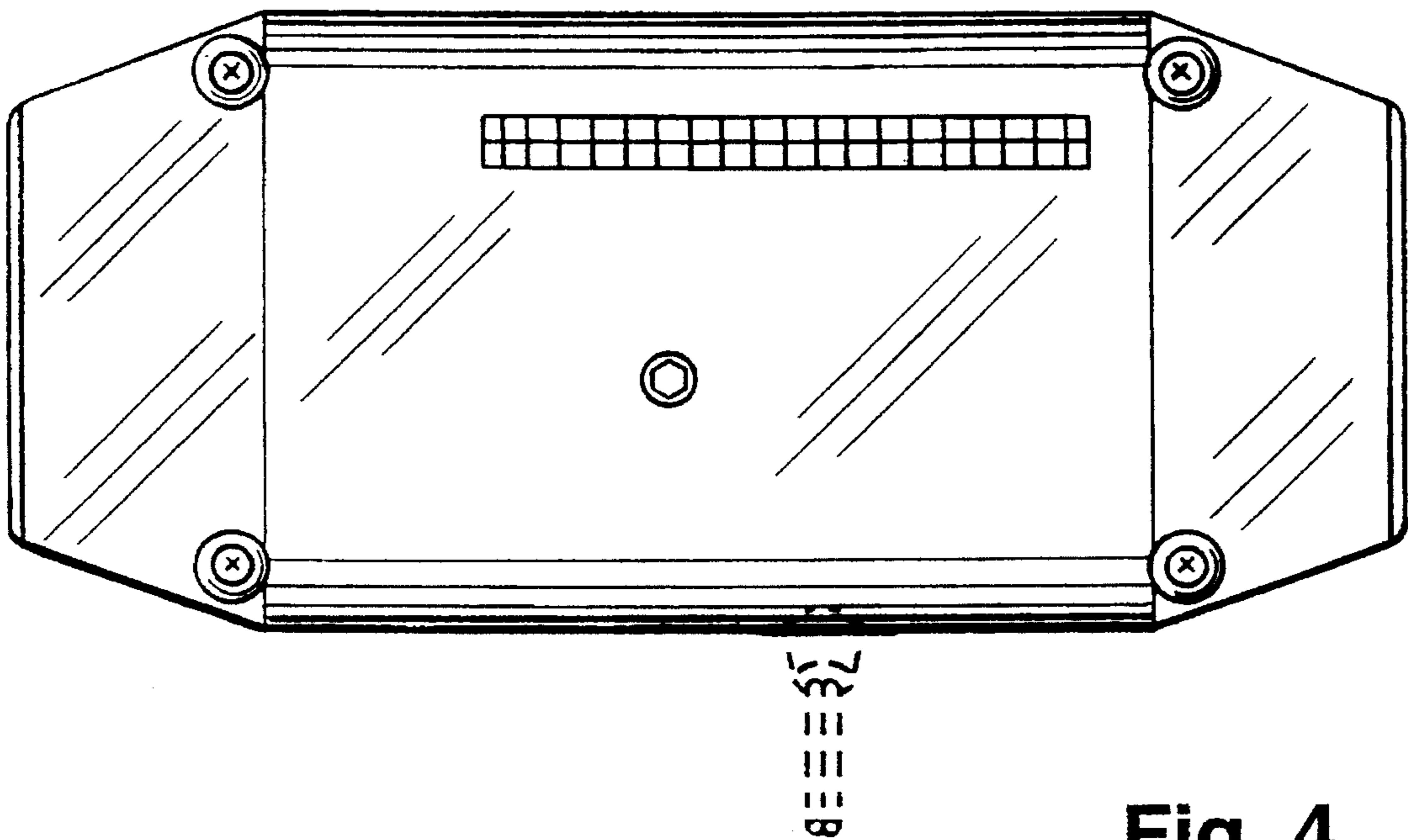


Fig. 4

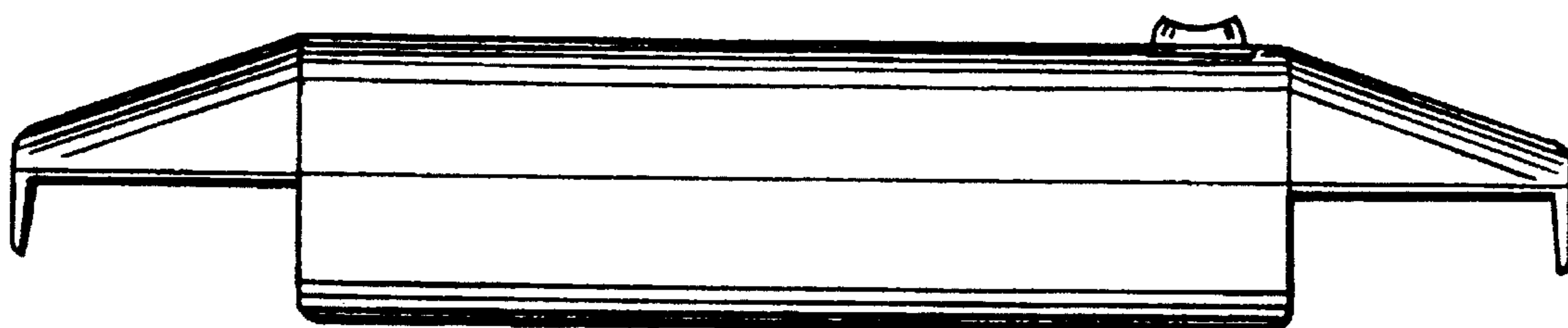


Fig. 5

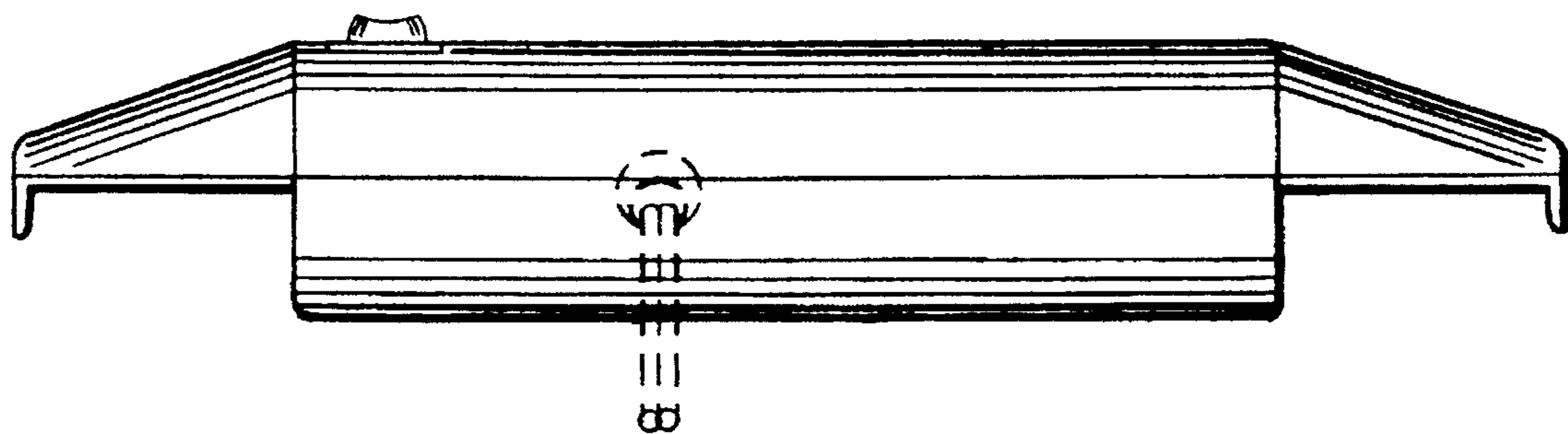


Fig. 6

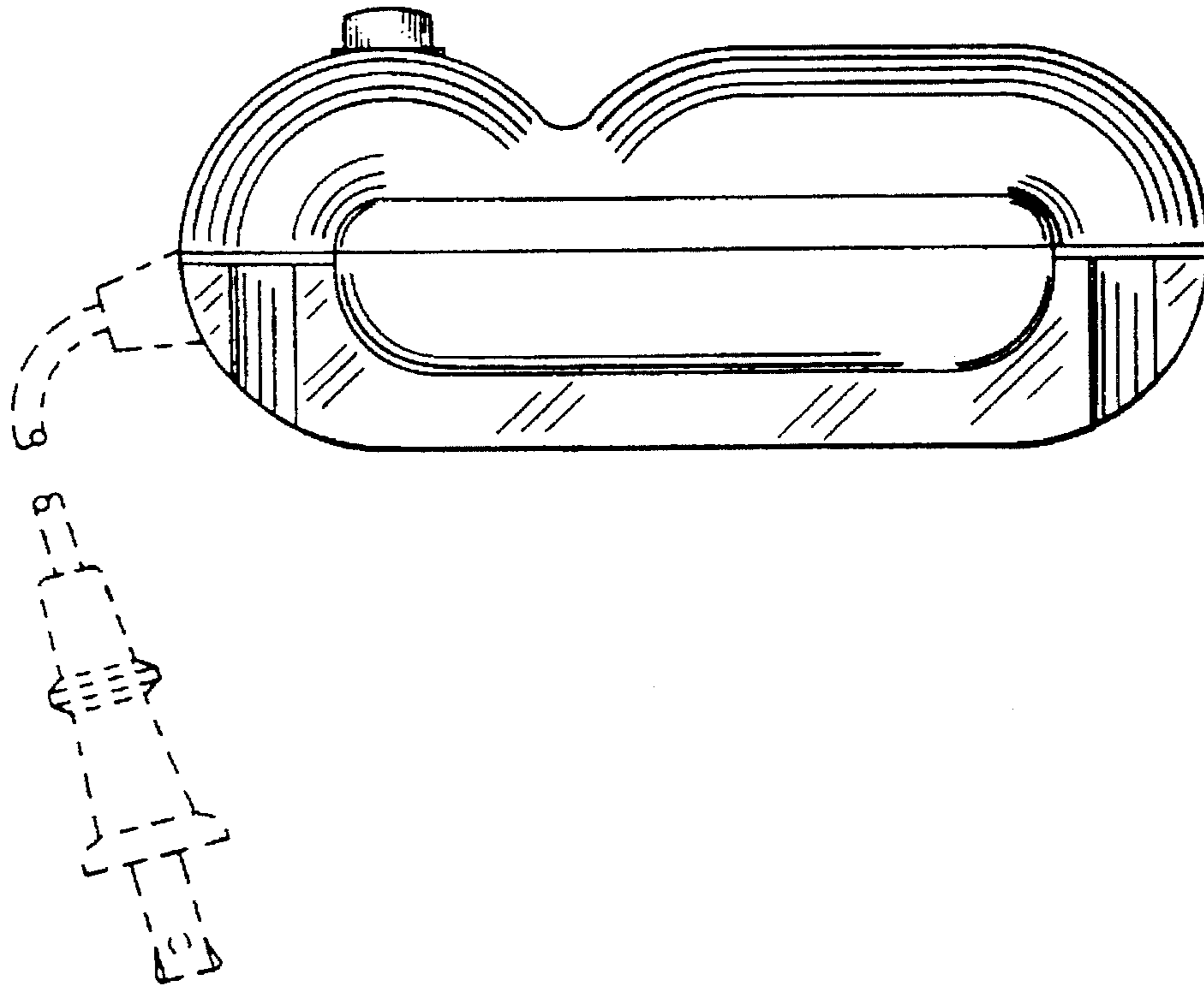


Fig. 7

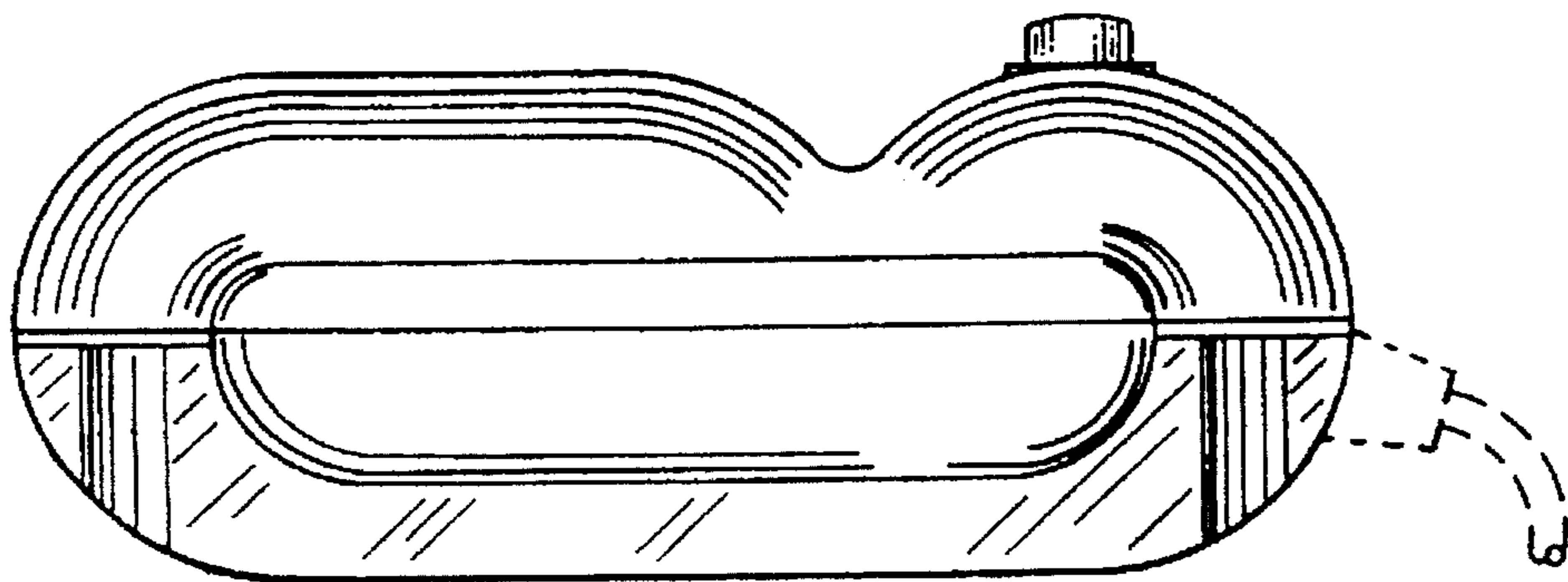


Fig. 8