



US00D370688S

United States Patent [19]

[11] Patent Number: **Des. 370,688**

Drew

[45] Date of Patent: ****Jun. 11, 1996**

[54] **CLOTH MARKER**

[76] Inventor: **Greggory Drew**, 6545 N. Warriors Run, Littleton, Colo. 80125

[**] Term: **14 Years**

[21] Appl. No.: **31,701**

[22] Filed: **Dec. 2, 1994**

[52] U.S. Cl. **D18/15**

[58] Field of Search **D3/18; D18/15, D18/19; 101/3.1, 31, 32, 24, 327, 333, 403**

[56] **References Cited**

U.S. PATENT DOCUMENTS

16,270	12/1856	Evens, Jr. .	
Re. 23,171	11/1949	Borkland .	
56,244	7/1866	Weiden .	
125,610	4/1872	Olmsted .	
D. 296,113	6/1988	Siegel et al.	D18/15
D. 303,682	9/1989	Cohen .	
D. 335,300	5/1993	Ishii	D18/15
D. 354,303	1/1995	Noonan et al.	D18/15
1,167,727	1/1916	Stevens .	
1,563,124	11/1925	Wald .	
1,565,951	12/1925	Peters .	
1,732,017	10/1929	Jenkins .	
1,892,754	1/1933	Tarbox .	
2,009,414	7/1935	Roberts, Jr. .	
2,327,762	8/1943	Bull .	
2,535,642	12/1950	Liebowitz .	

2,839,993	6/1958	Orthwin .
3,260,192	7/1966	Ostenberg .
3,376,812	4/1968	Sterling .
3,584,572	6/1971	Apicella .
4,574,693	3/1986	Fink et al. .
4,760,788	8/1988	Marozzi et al. .
4,982,659	1/1991	Cohen .

FOREIGN PATENT DOCUMENTS

0215868 12/1984 Japan .

OTHER PUBLICATIONS

Plastic garment marker sold by Toys to Grow On, which Applicant believes may have been sold for four to five years prior to the filing of the present application (photograph supplied).

Primary Examiner—Ralf Seifert
Attorney, Agent, or Firm—Gary M. Polumbus; Holland & Hart

[57] **CLAIM**

The ornamental design for a cloth marker, as shown.

DESCRIPTION

FIG. 1 is an isometric view of a cloth marker; FIG. 2 is an isometric view from a different side of the marker from that shown in FIG. 1; FIG. 3 is a top plan view thereof; FIG. 4 is a left side elevation thereof; FIG. 5 is a bottom plan view thereof; FIG. 6 is a front elevation thereof; and, FIG. 7 is a rear elevation thereof.

1 Claim, 3 Drawing Sheets

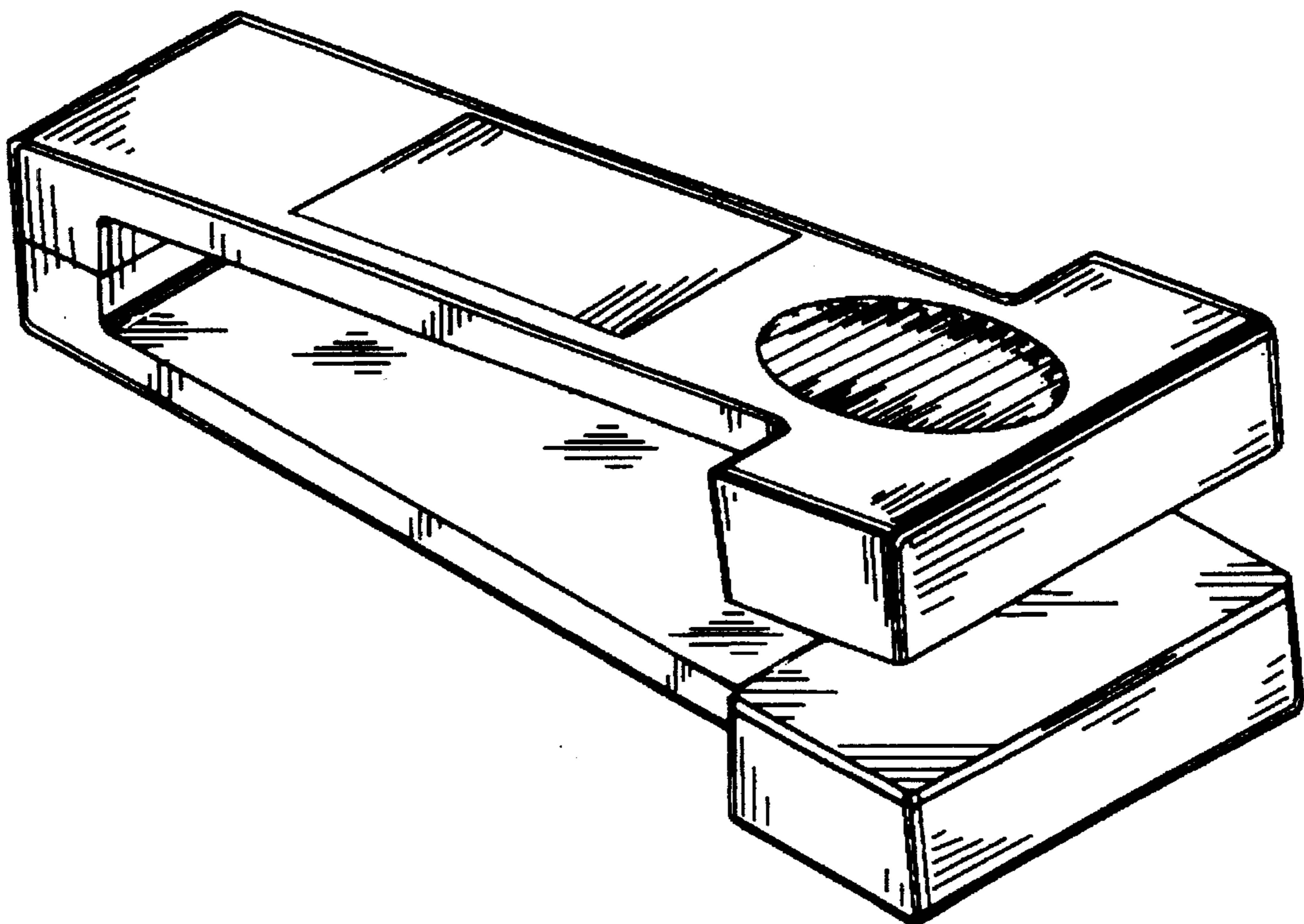


Fig. 1

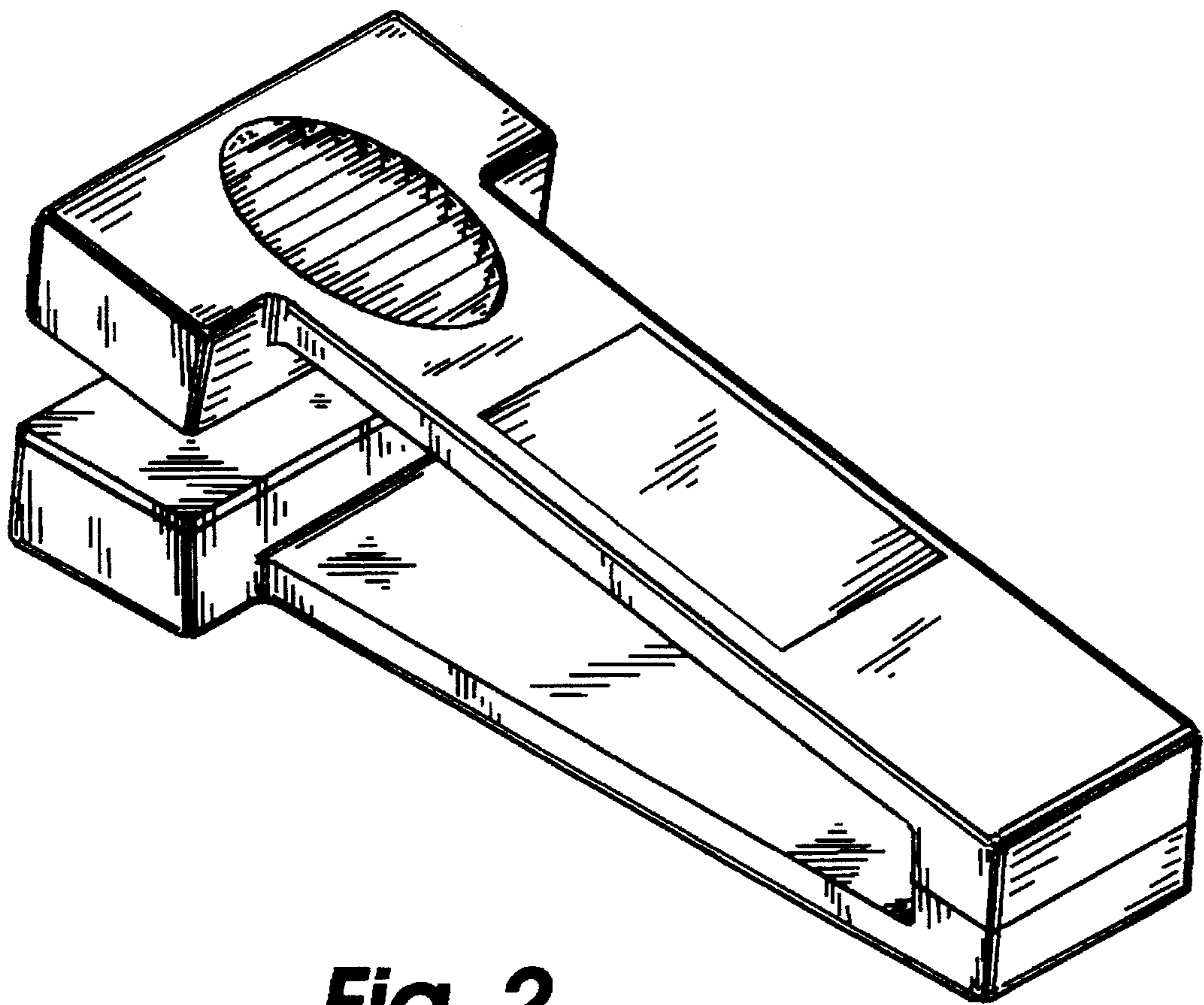
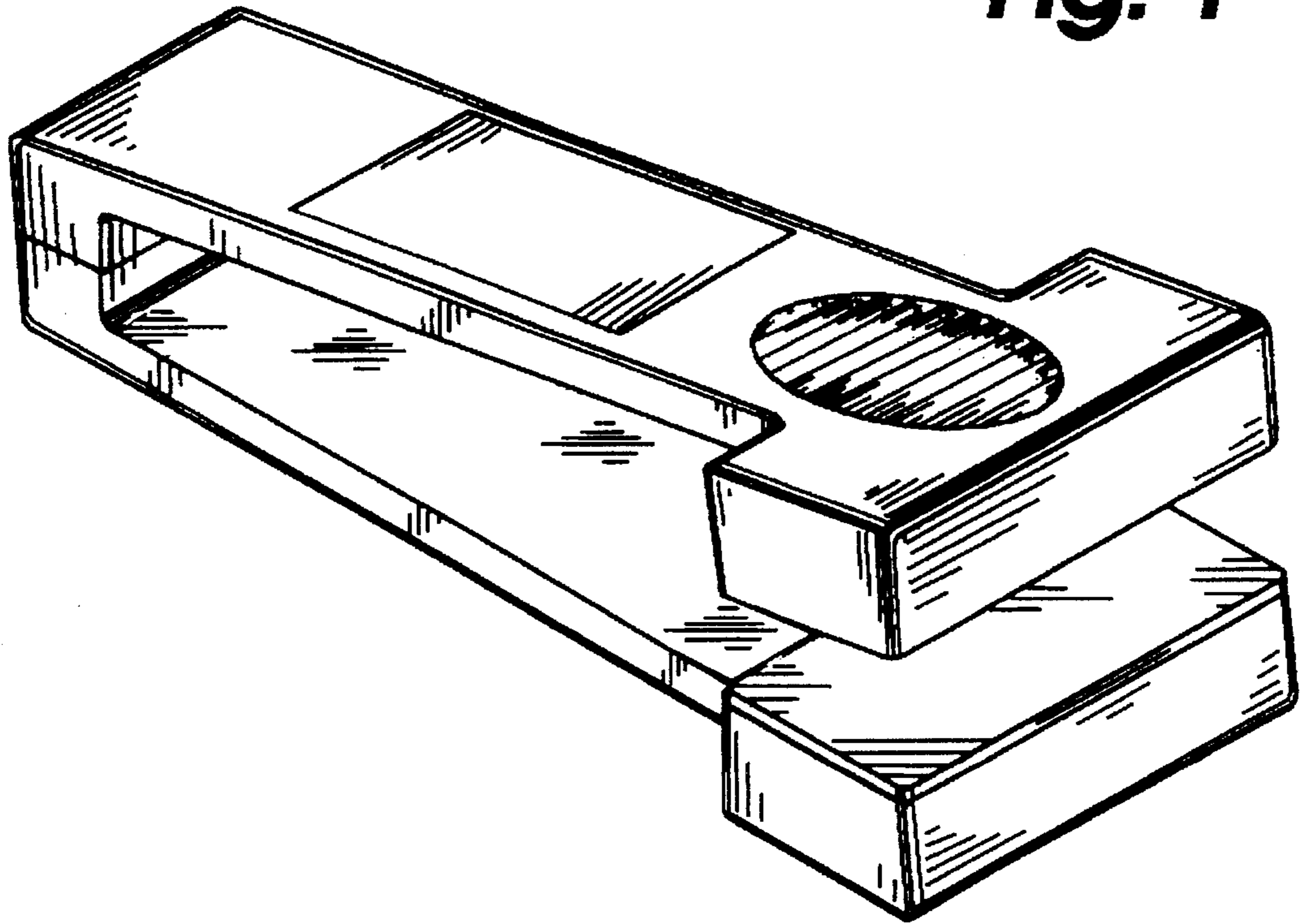


Fig. 2

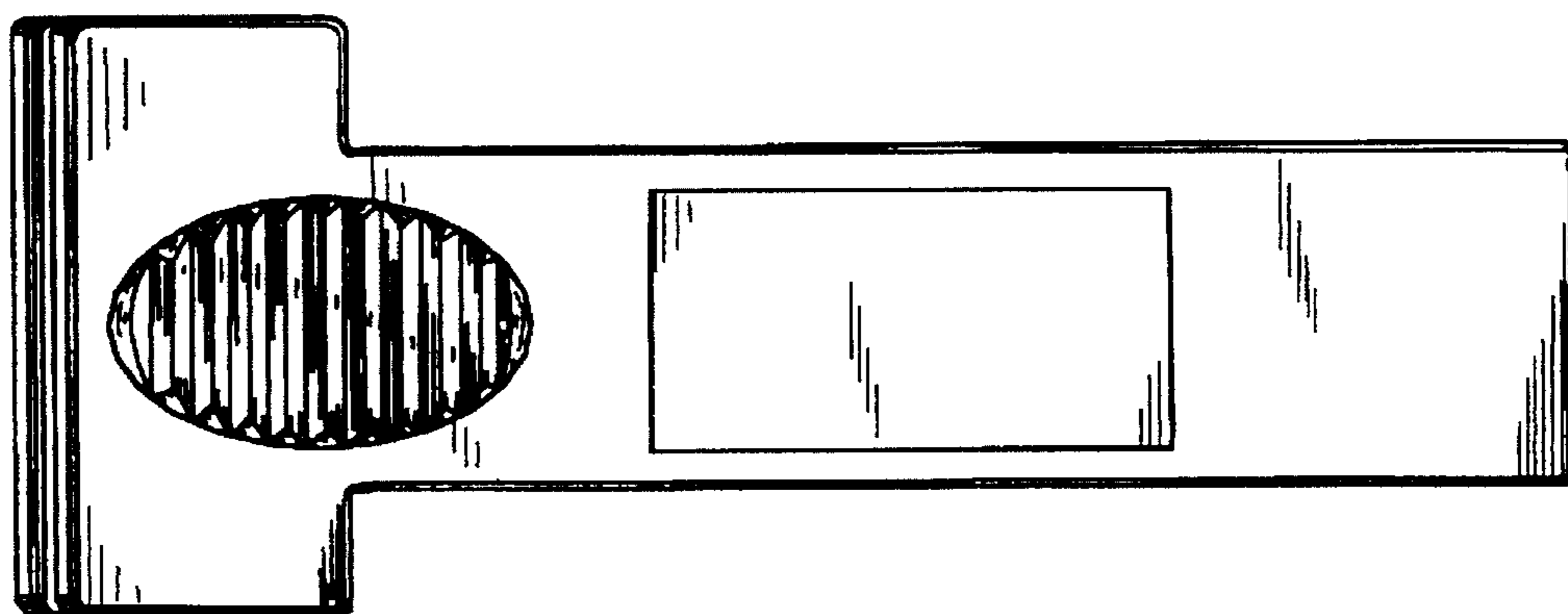


Fig. 3



Fig. 4

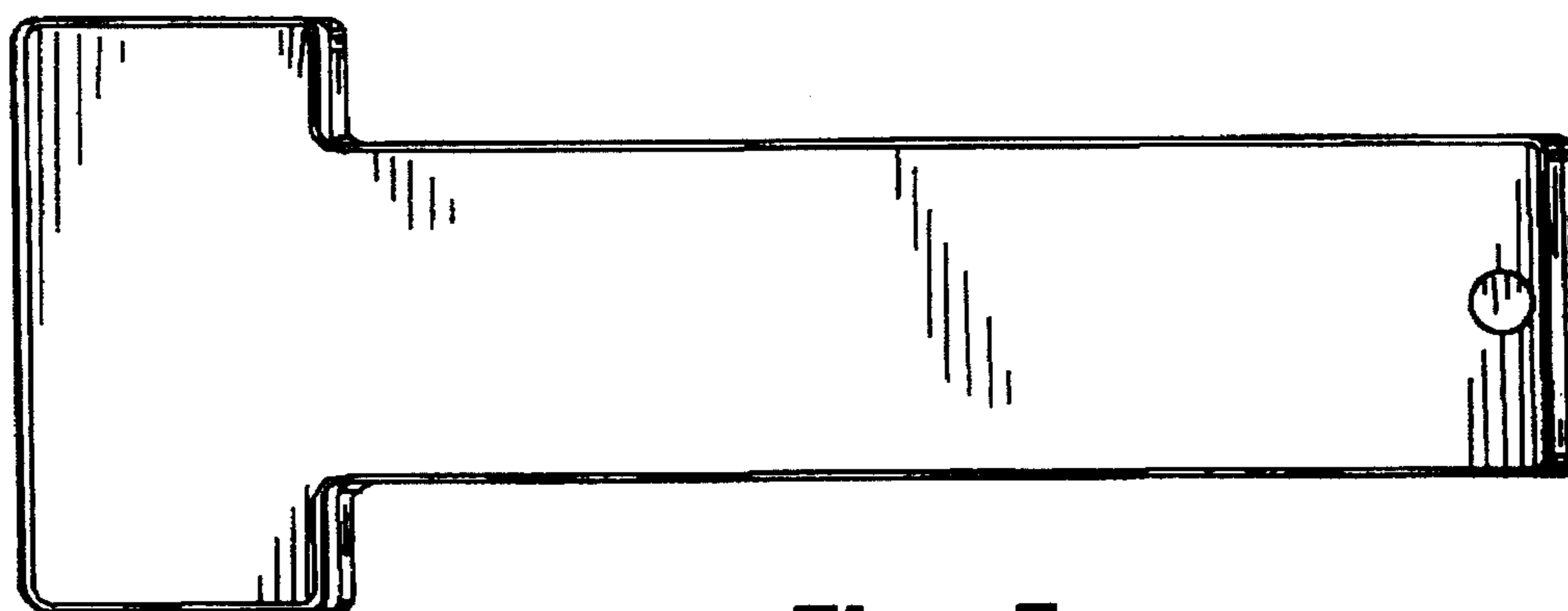


Fig. 5

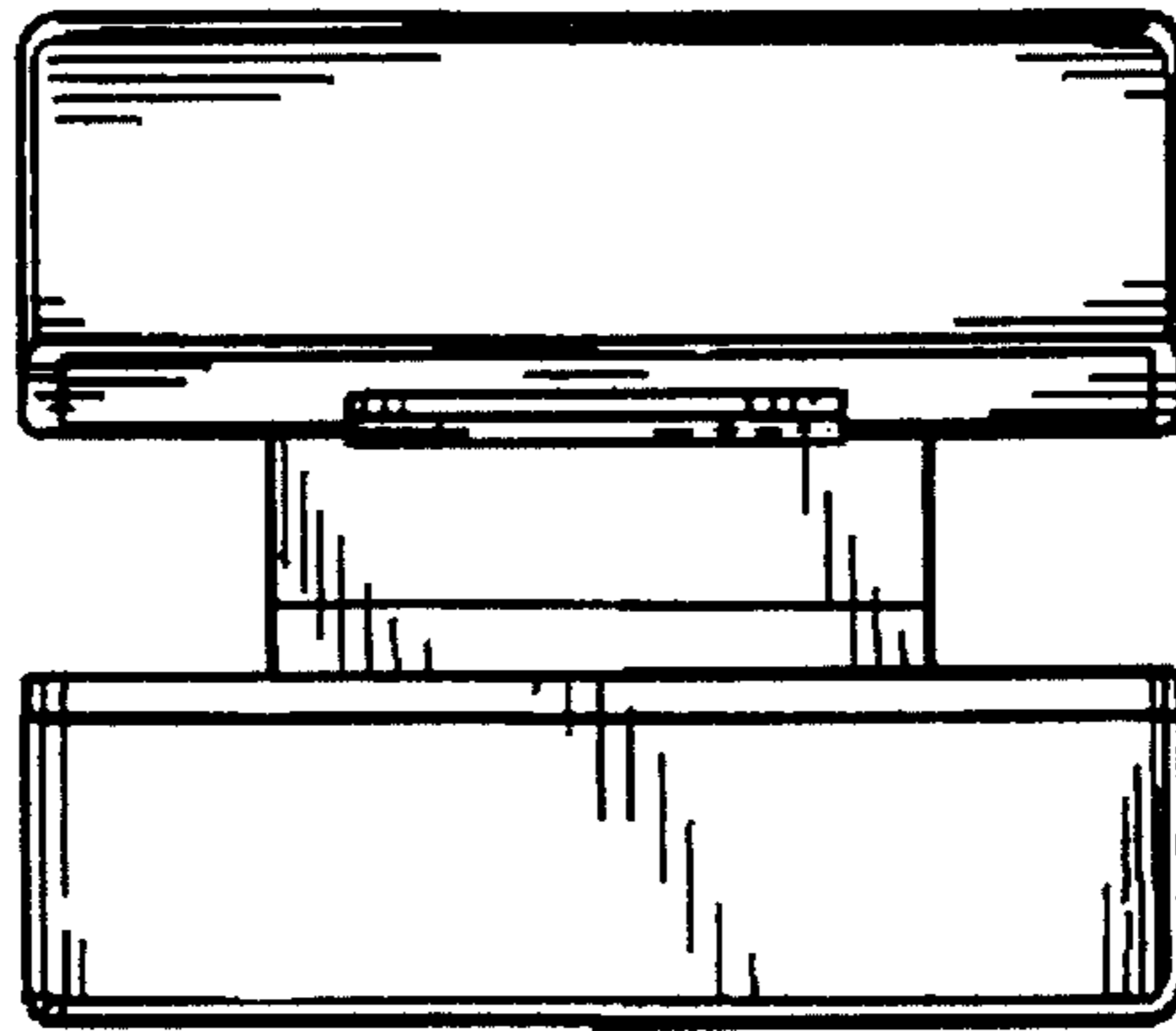


Fig. 6

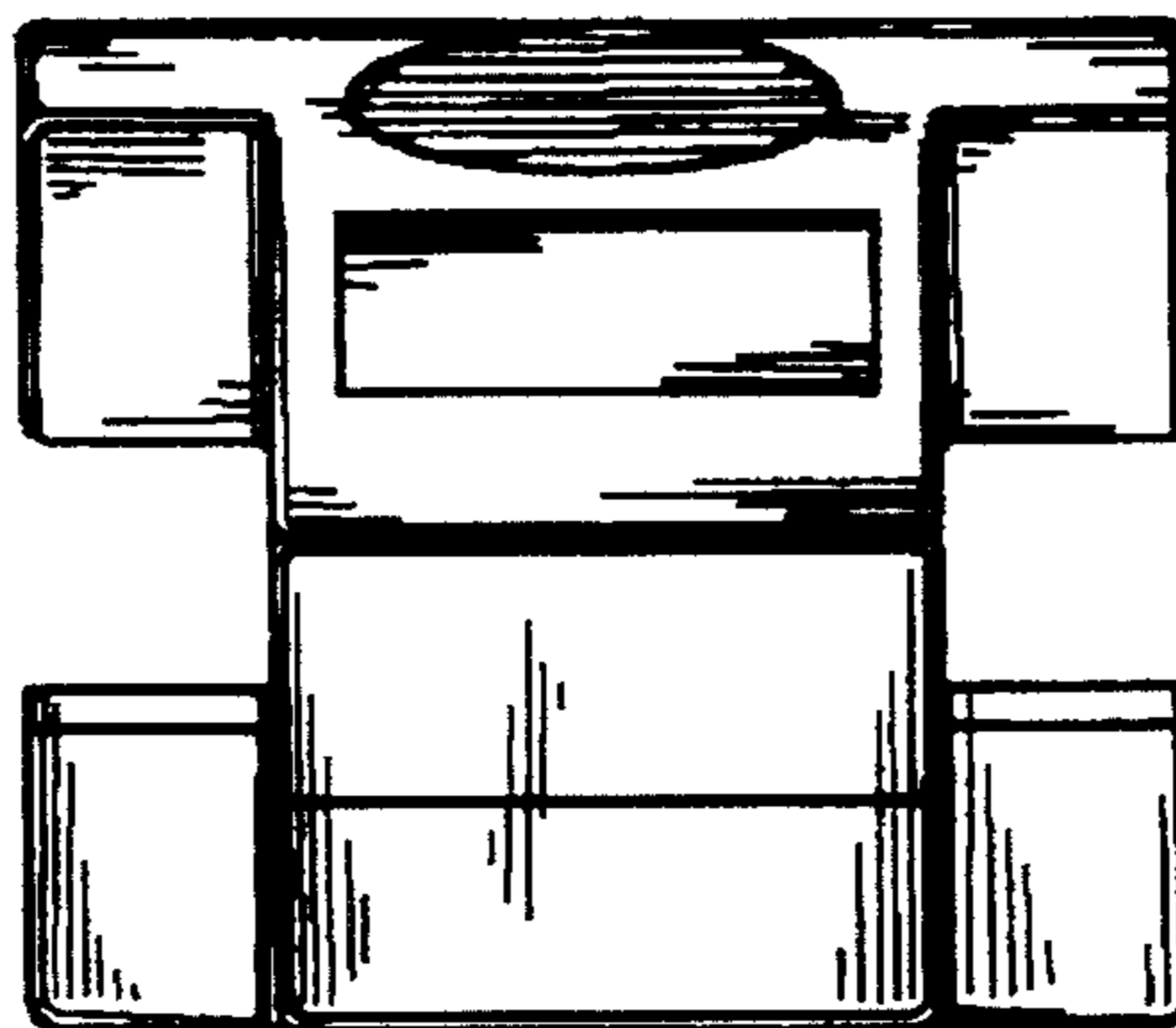


Fig. 7