



US00D370685S

United States Patent [19]

Chapman et al.

[11] Patent Number: **Des. 370,685**

[45] Date of Patent: ****Jun. 11, 1996**

[54] CAMERA BACK

[75] Inventors: **Steven S. Chapman, Corfu; John K. McBride, Rochester; James G. Rydelek, Henrietta, all of N.Y.**

[73] Assignee: **Eastman Kodak Company, Rochester, N.Y.**

[**] Term: **14 Years**

[21] Appl. No.: **29,992**

[22] Filed: **Oct. 20, 1994**

[52] U.S. Cl. **D16/219**

[58] Field of Search D16/200-204,
D16/208, 209, 216-218; 354/63, 64, 145.1,
149.11, 202, 288

4,890,130	12/1989	Takei et al.	354/288
4,954,858	9/1990	Ohmura et al.	354/145.1
5,021,811	6/1991	Maurinus et al.	354/76
5,255,041	10/1993	Lyon et al.	354/288
5,329,330	7/1994	Sakai et al.	354/288
5,349,410	9/1994	Kamata	354/288
5,353,165	10/1994	VanDeMoere et al.	359/819

FOREIGN PATENT DOCUMENTS

405232635	9/1993	Japan	354/202
-----------	--------	-------------	---------

Primary Examiner—Prabhakar G. Deshmukh
Assistant Examiner—Adir Aronovich
Attorney, Agent, or Firm—Roger A. Fields

[57] CLAIM

The ornamental design for a camera back, as shown.

DESCRIPTION

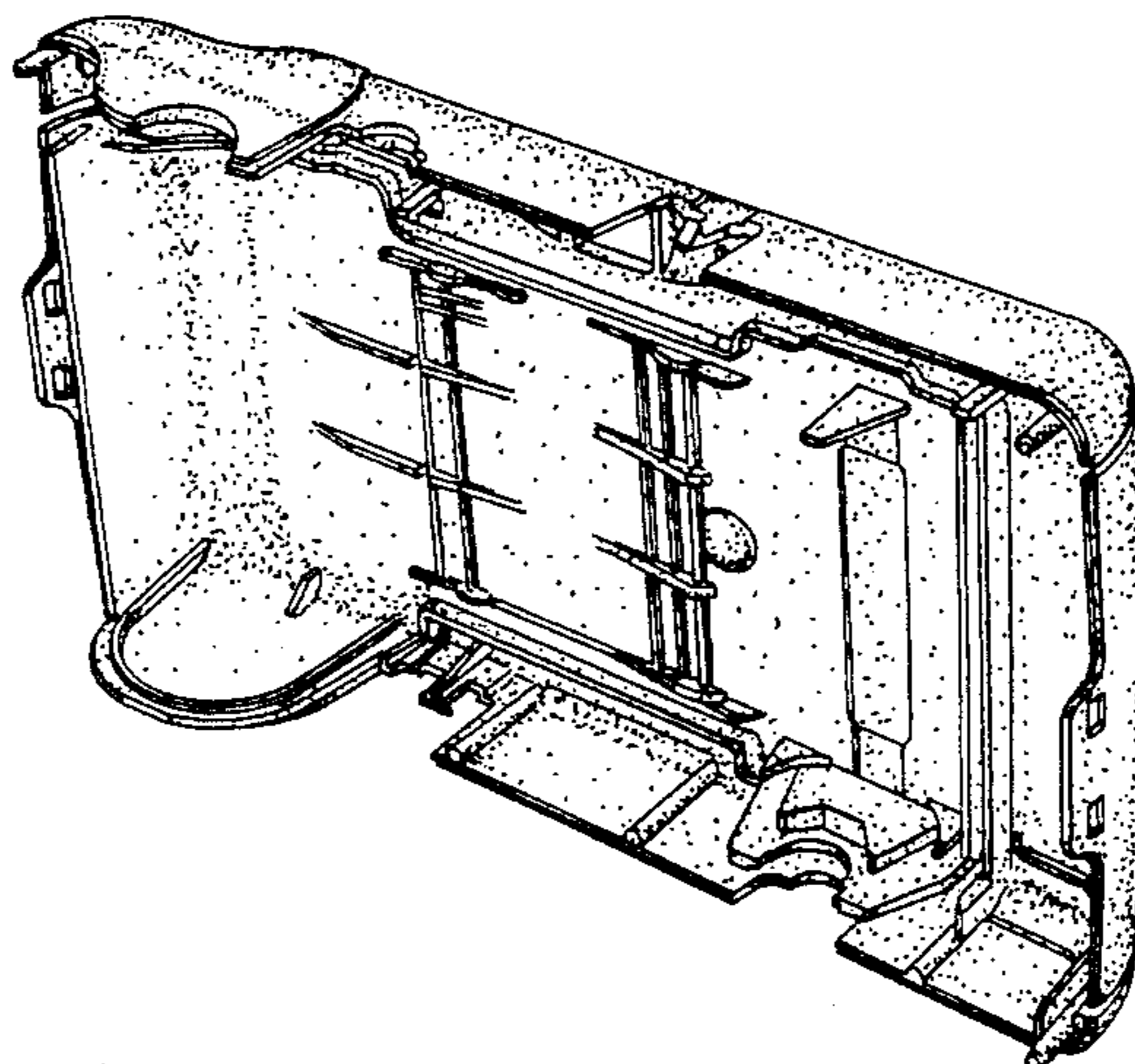
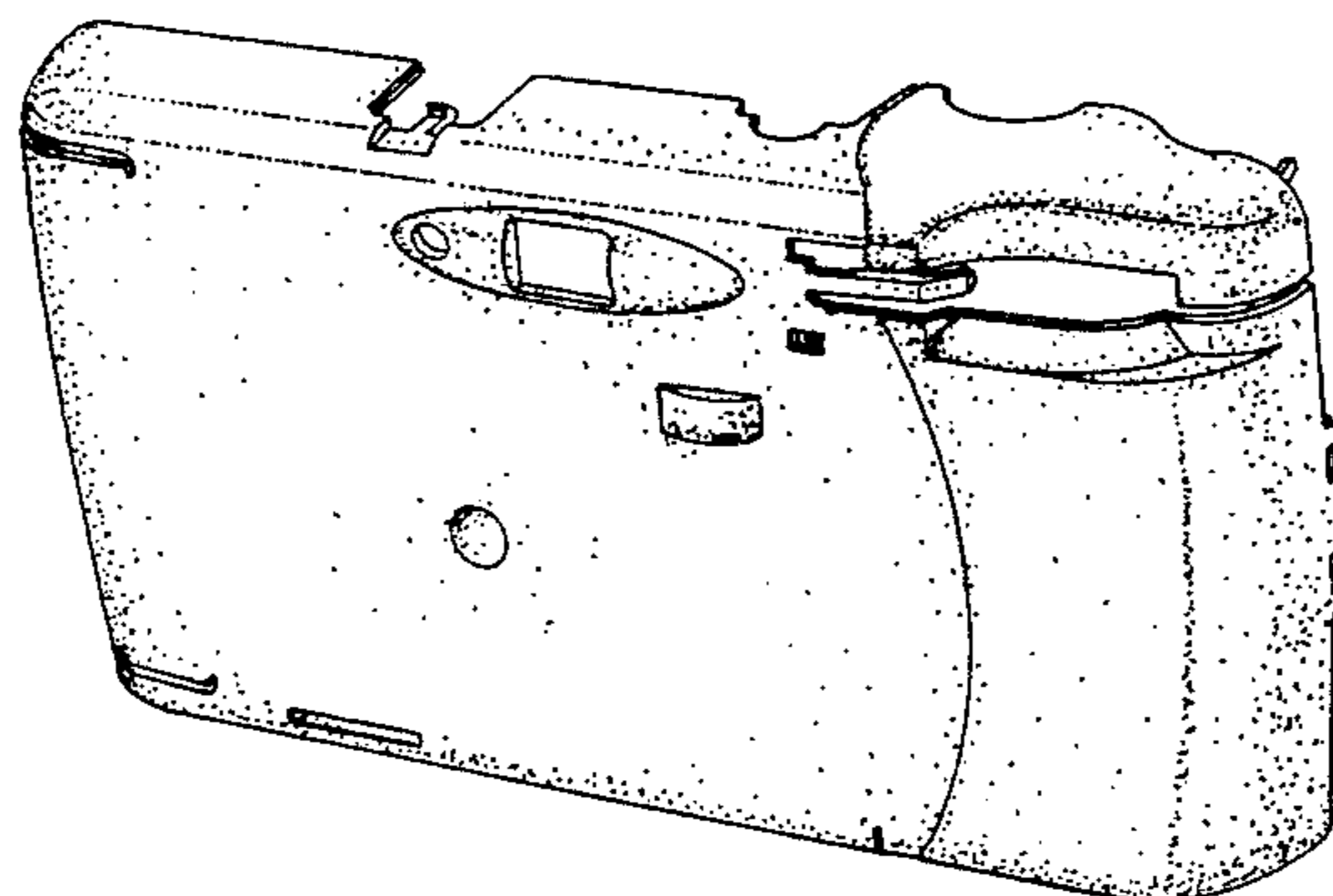
FIG. 1 is a front (outside), top, right-side perspective view of a camera back, showing our new design;
FIG. 2 is a front elevation view thereof;
FIG. 3 is a rear (innerside) elevation view thereof;
FIG. 4 is a top plan view thereof;
FIG. 5 is a bottom plan view thereof;
FIG. 6 is a right-side elevation view thereof;
FIG. 7 is a left-side elevation view thereof;
FIG. 8 is a rear, top, right-side perspective view thereof; and,
FIG. 9 is a rear, upside-down perspective view thereof.

1 Claim, 7 Drawing Sheets

[56] References Cited

U.S. PATENT DOCUMENTS

D. 289,055	3/1987	Fichter	D16/219
D. 317,169	5/1991	Isozaki	D16/218
D. 330,039	10/1992	Shull et al.	D16/209
2,933,027	4/1960	Hollingworth et al.	95/31
3,731,586	5/1973	Meazza	88/1.5 R
3,943,537	3/1976	Lange	354/288
4,812,863	3/1989	Ohmura et al.	354/219
4,812,866	3/1989	Ushiro et al.	354/288
4,855,774	8/1989	Ohmura et al.	354/203
4,884,087	11/1989	Mochida et al.	354/75



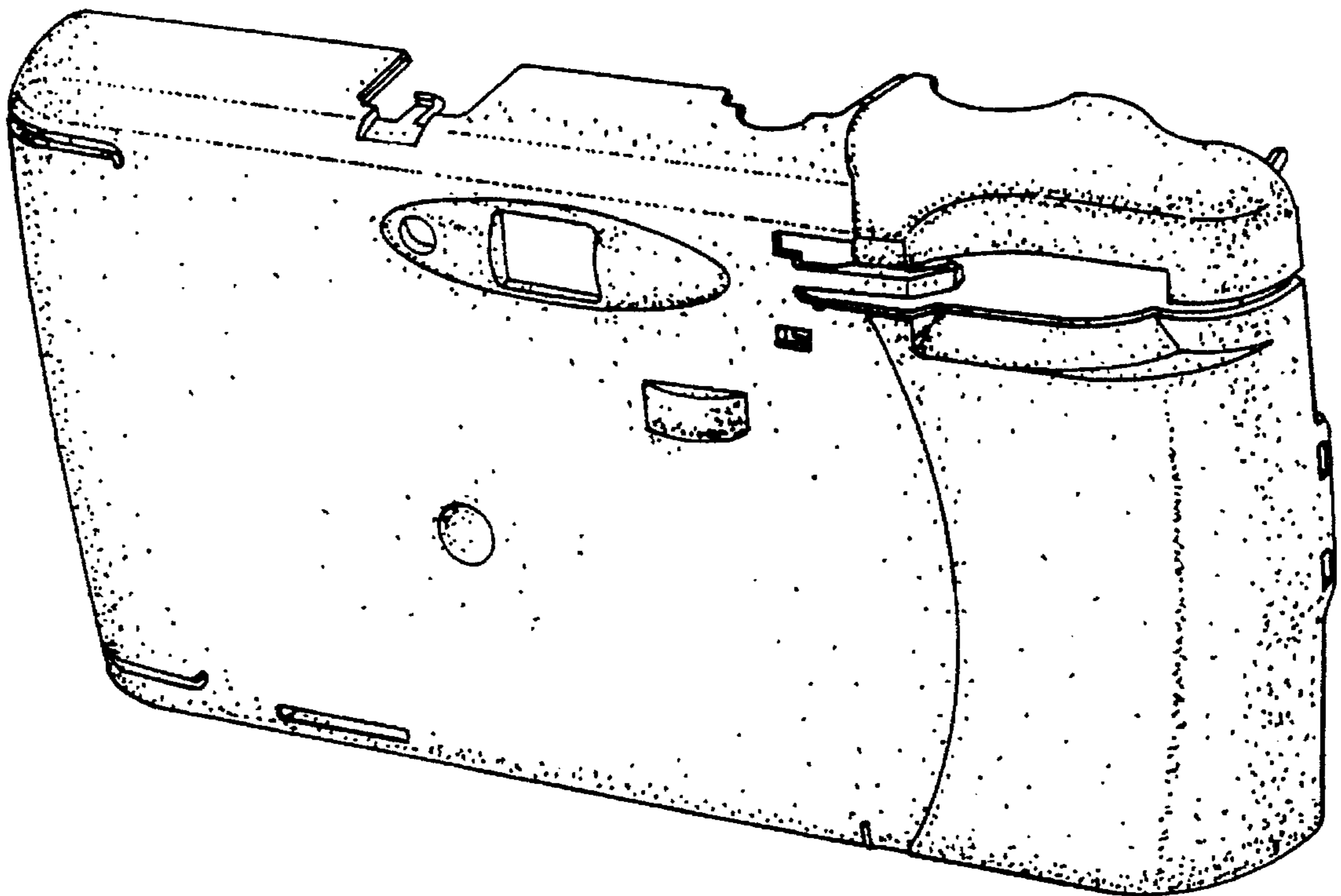


FIG. 1

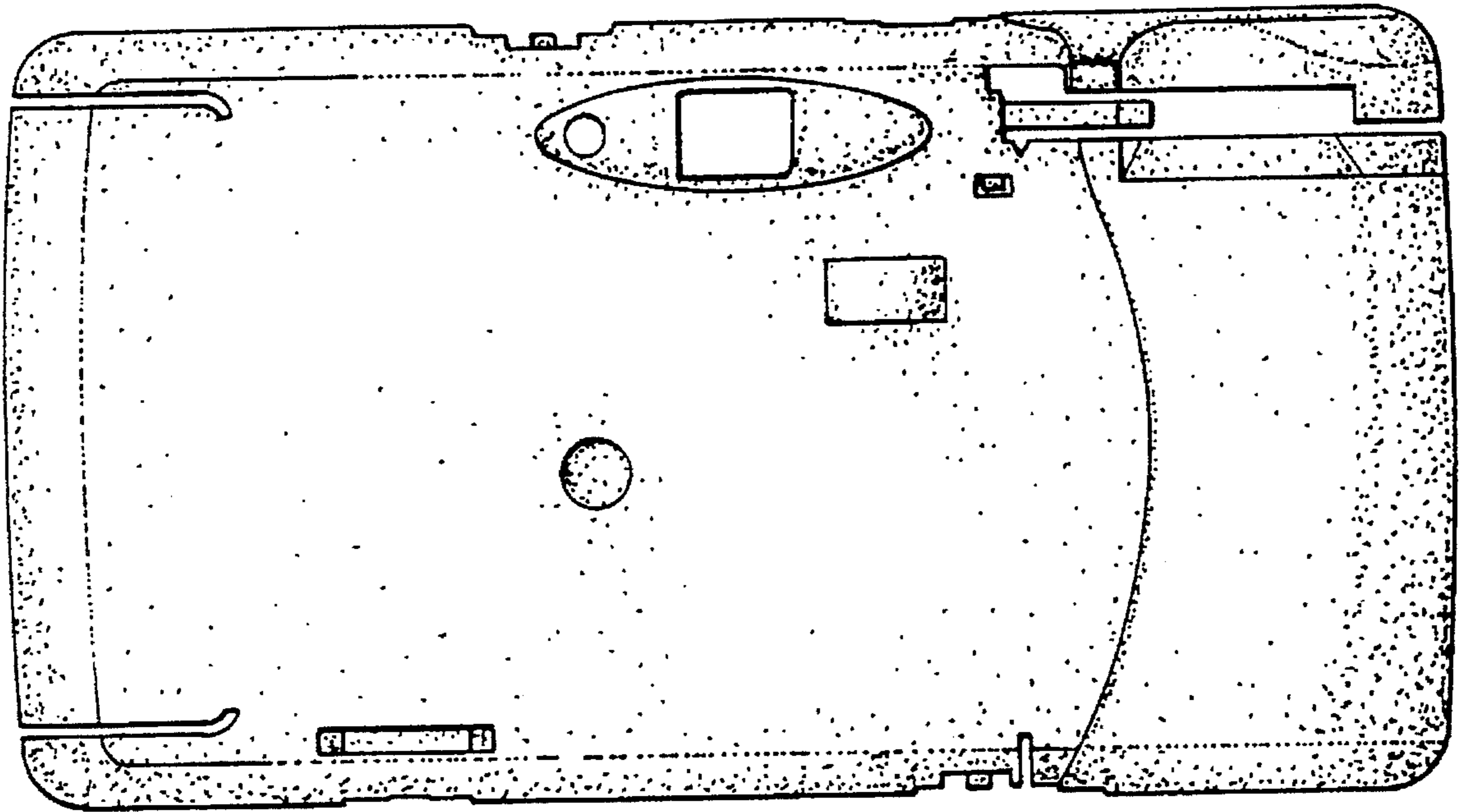


FIG. 2

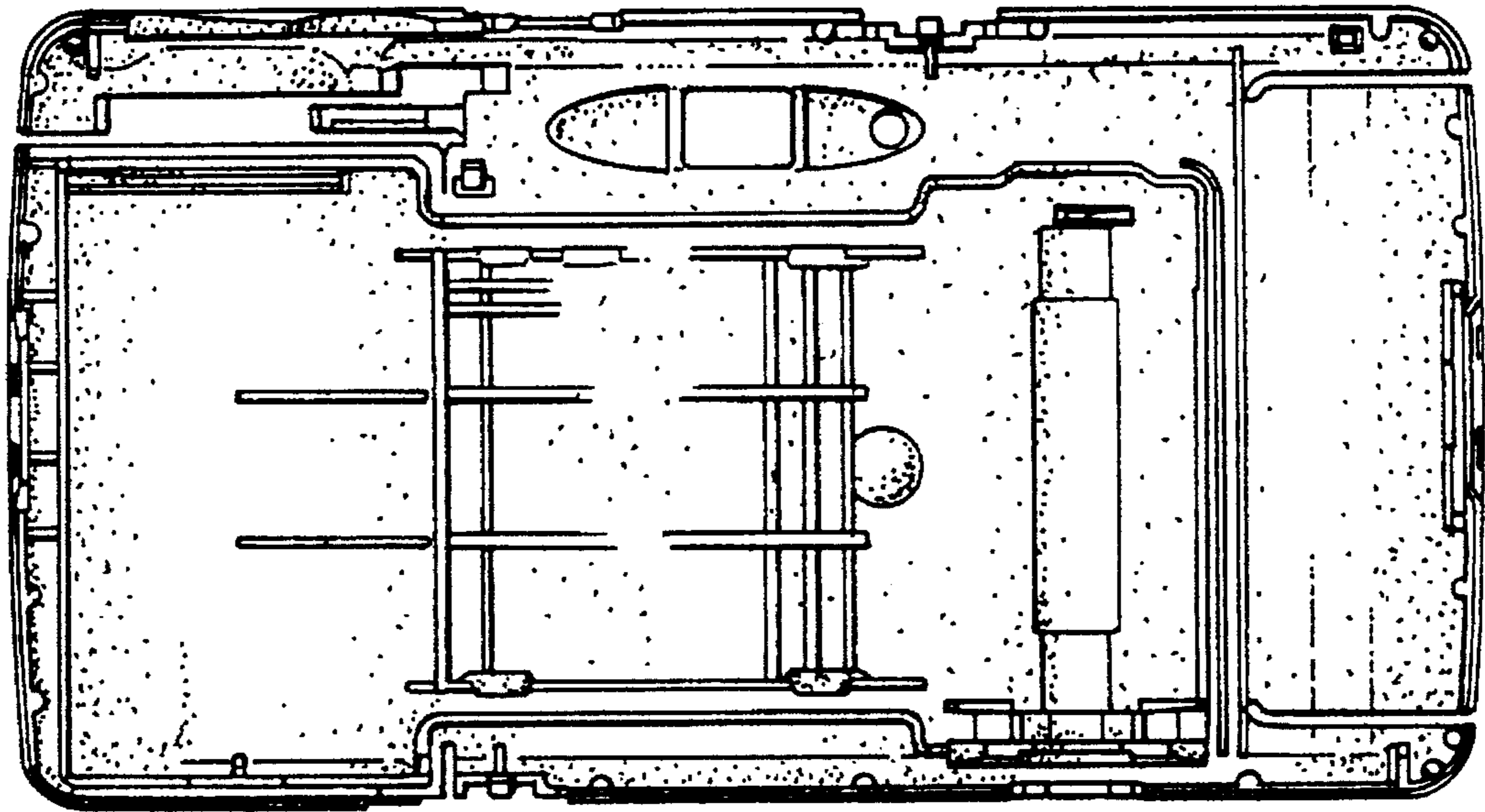


FIG. 3

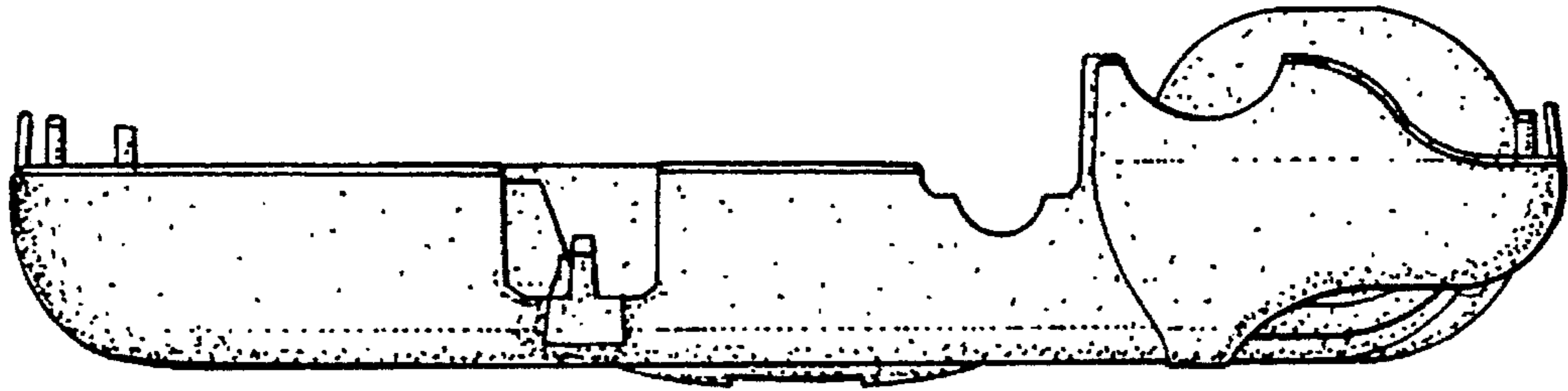


FIG. 4

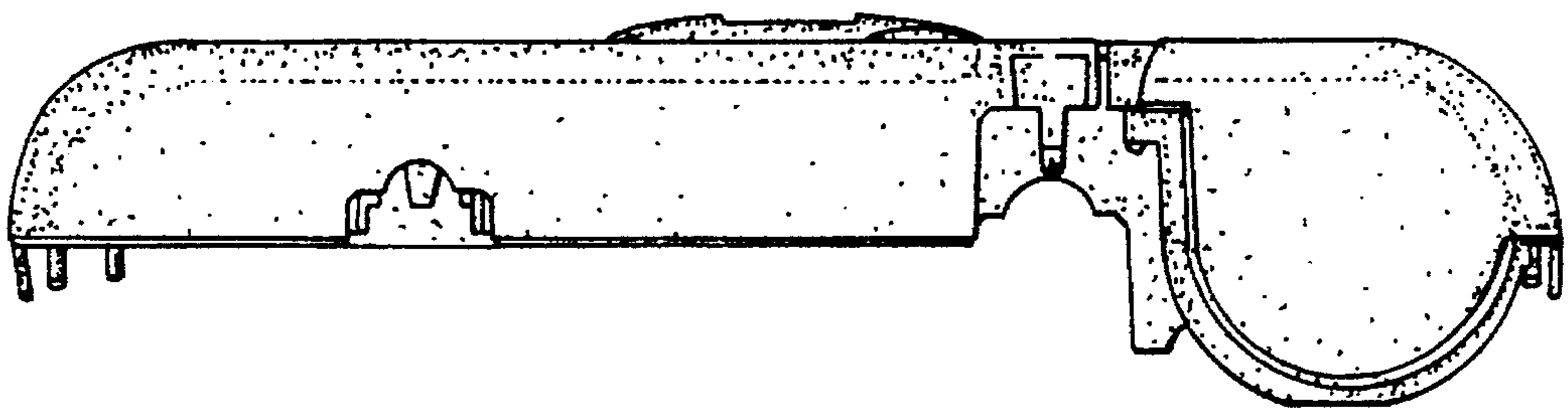


FIG. 5

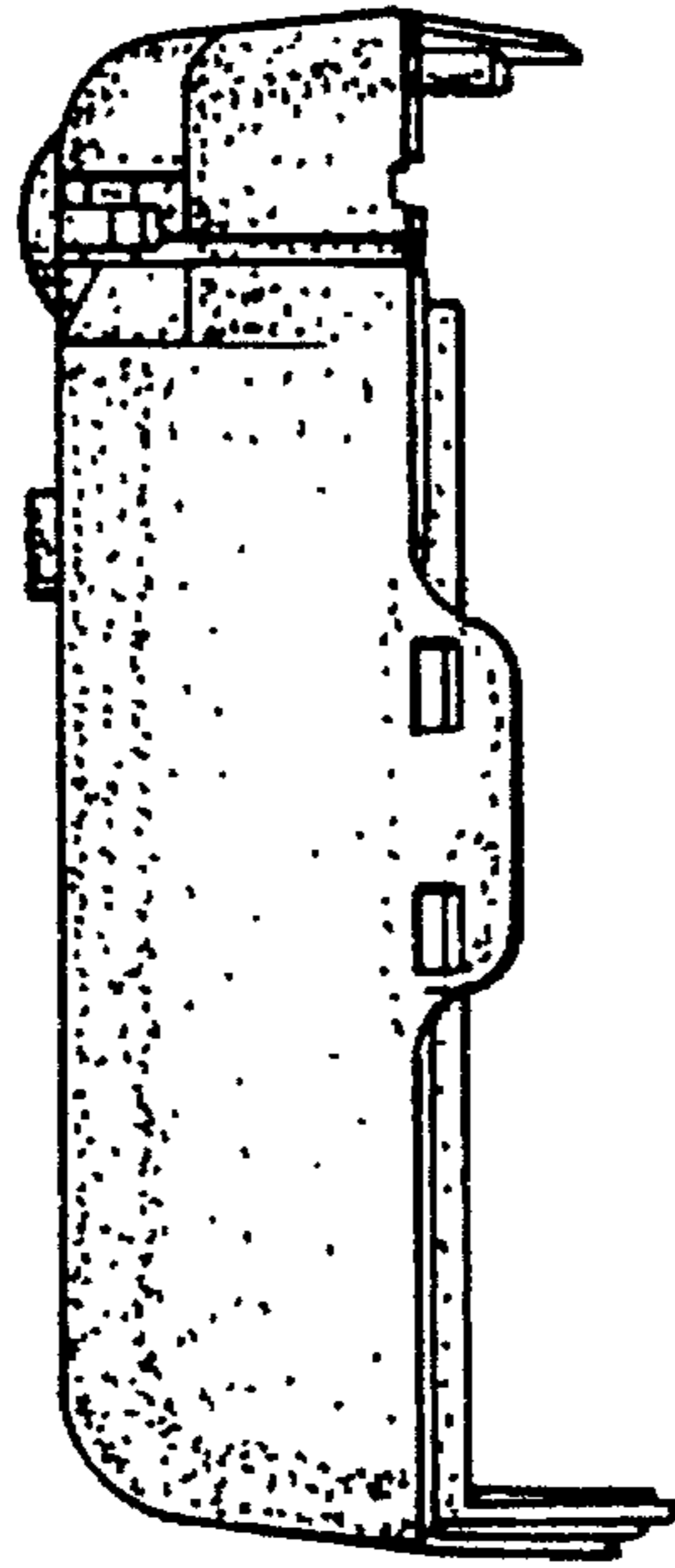


FIG. 6

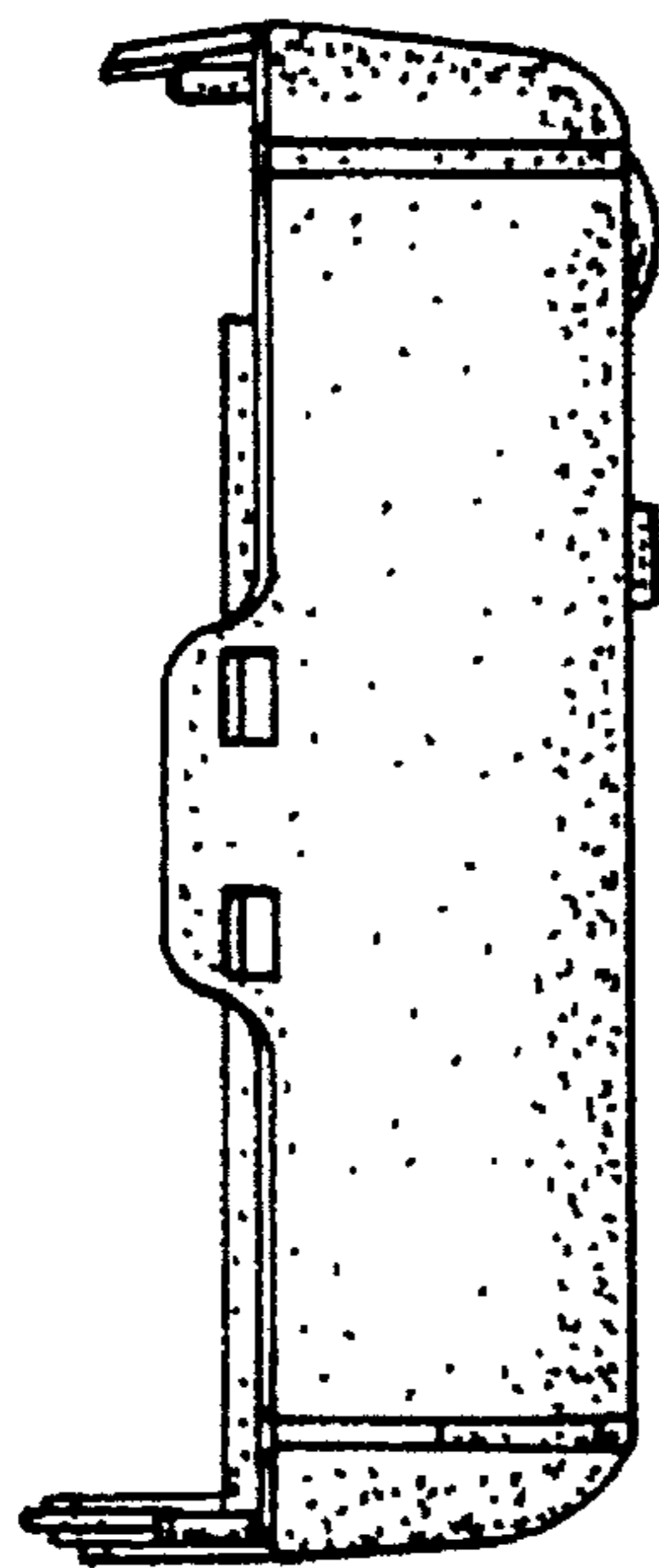


FIG. 7

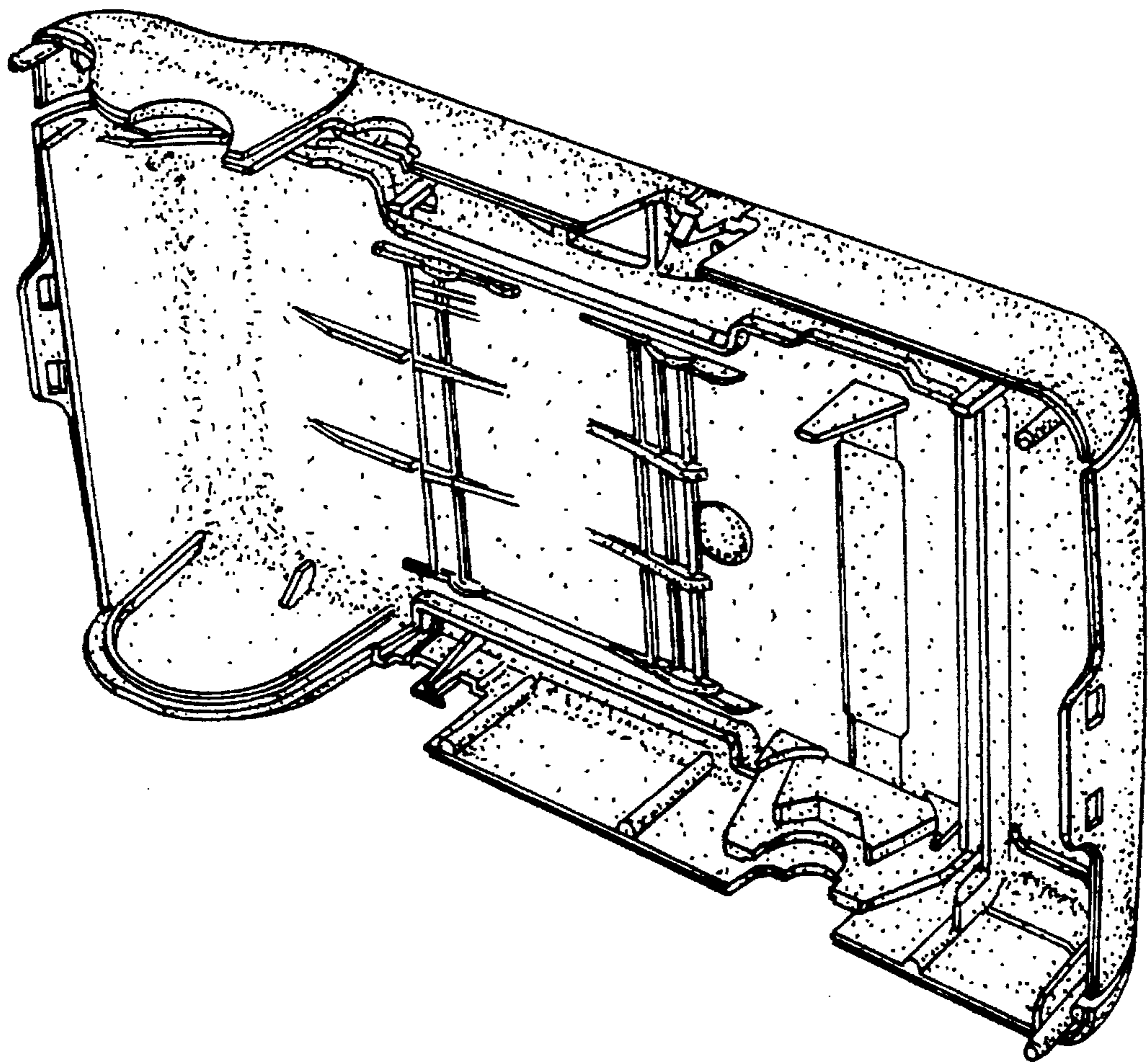


FIG. 8

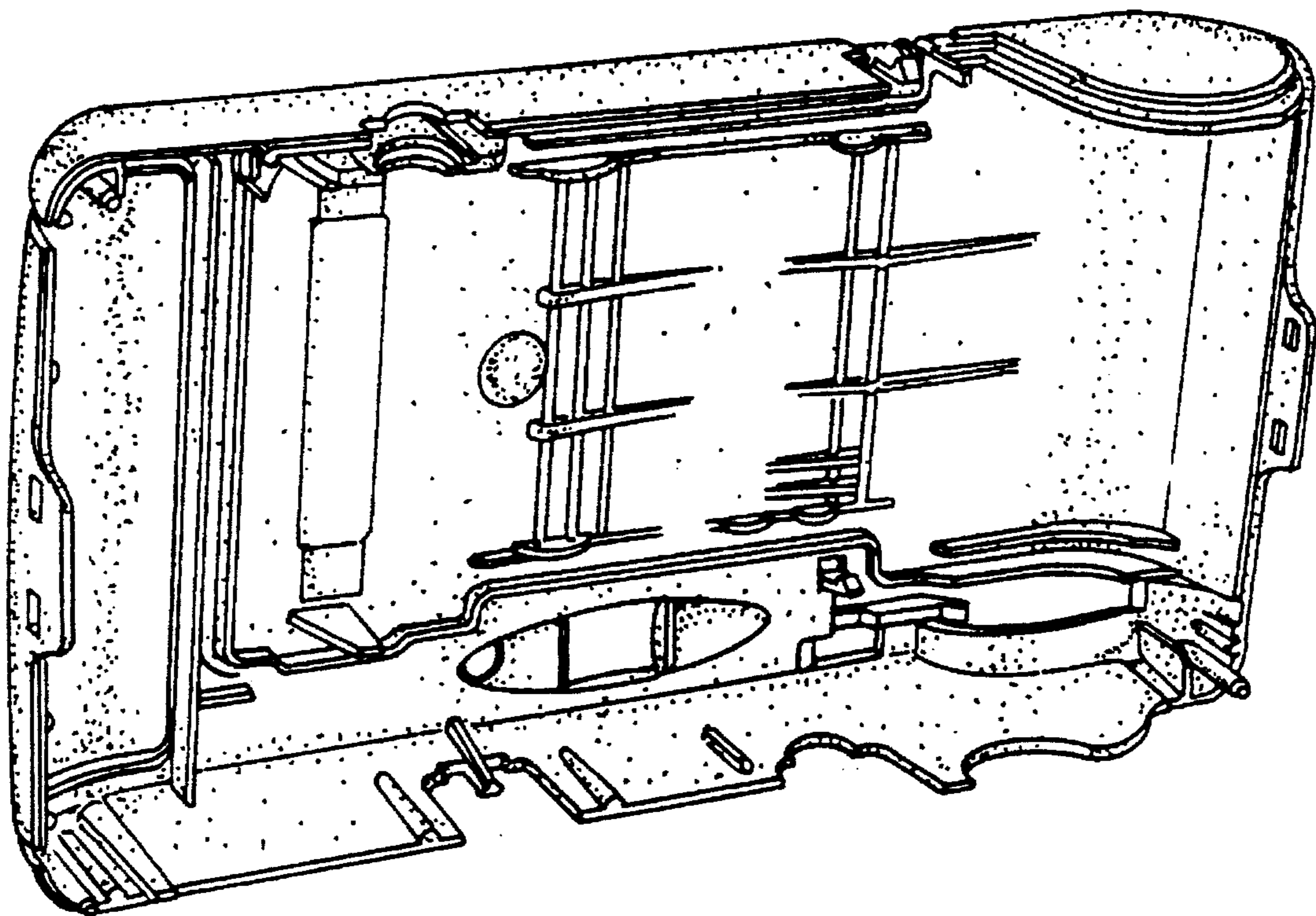


FIG. 9