



US00D370683S

# United States Patent [19]

Stahlman et al.

[11] Patent Number: **Des. 370,683**

[45] Date of Patent: **\*\*Jun. 11, 1996**

[54] PNEUMATIC CYLINDER

[75] Inventors: **David B. Stahlman**, Waverly, N.Y.;  
**Donald E. Marlow**, Bryan, Ohio

[73] Assignee: **The ARO Corporation**, Bryan, Ohio

[\*\*] Term: **14 Years**

[21] Appl. No.: **41,074**

[22] Filed: **Jul. 5, 1995**

[52] U.S. Cl. .... **D15/7**

[58] Field of Search ..... D15/1, 7-9; 91/275;  
417/403, 404

[56] **References Cited**

**U.S. PATENT DOCUMENTS**

D. 333,472	2/1993	Aizawa	.....	D15/7
D. 333,474	2/1993	Aizawa	.....	D15/7
D. 334,198	3/1993	Aizawa	.....	D15/7
4,597,721	7/1986	Stantefort	.....	91/275

*Primary Examiner*—Ralf Seifert  
*Attorney, Agent, or Firm*—Walter C. Vliet

[57] **CLAIM**

The ornamental design for a pneumatic cylinder, as shown and described.

**DESCRIPTION**

FIG. 1 is an isometric view showing the front top and left side of a pneumatic cylinder according to the present invention;

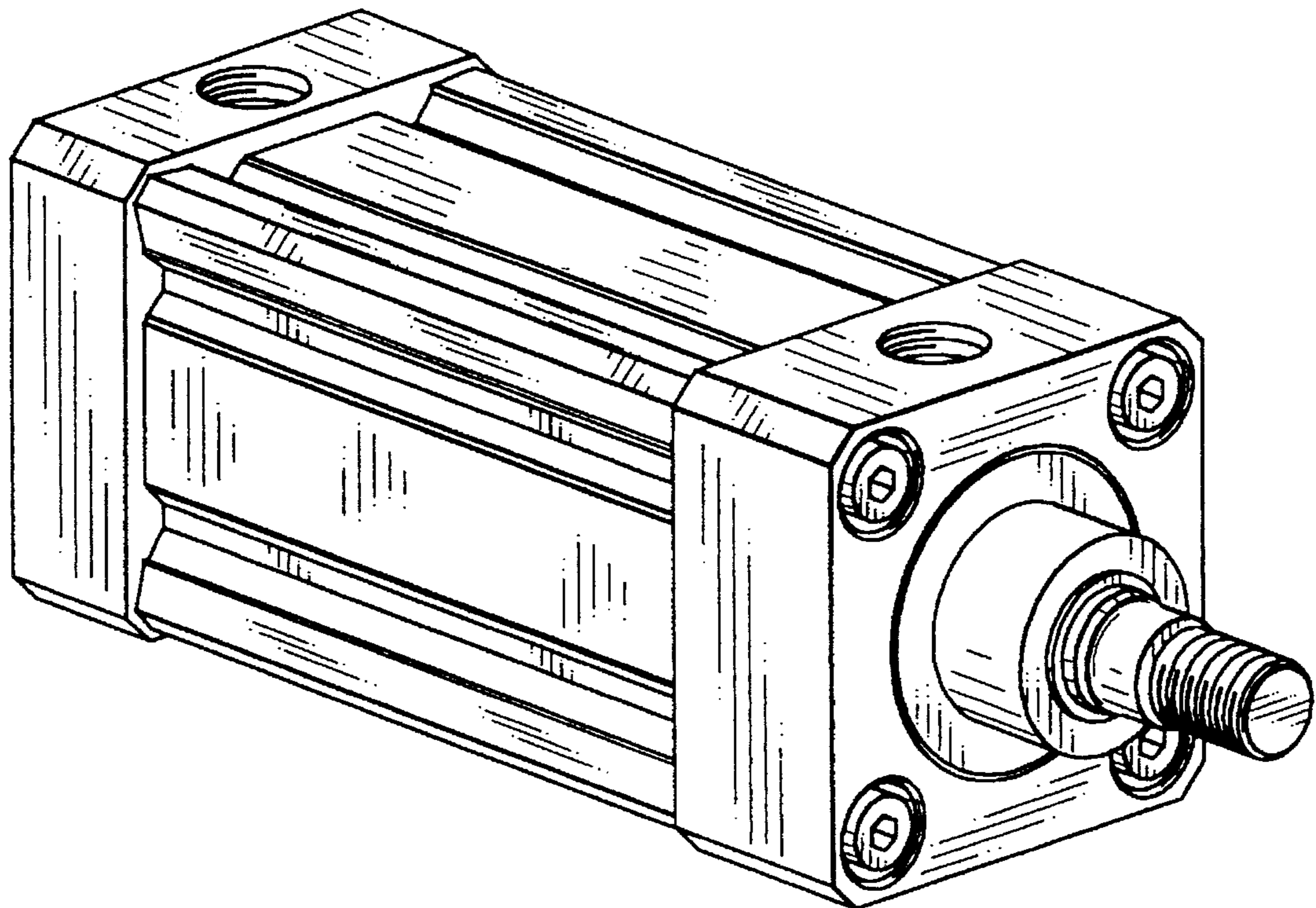
FIG. 2 is a left side view of a pneumatic cylinder according to the present invention;

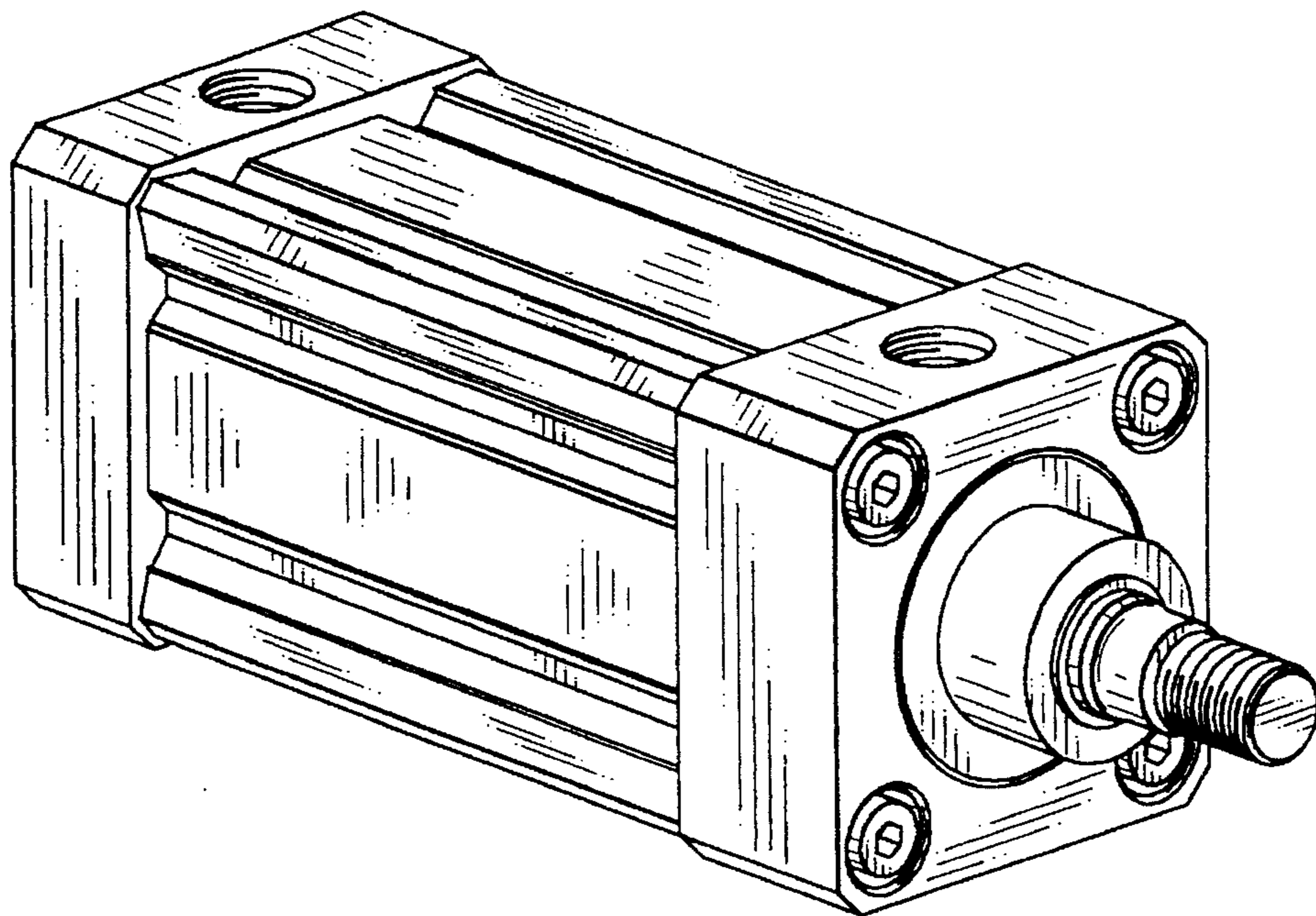
FIG. 3 is a front view of a pneumatic cylinder according to the present invention; and,

FIG. 4 is a rear view of a pneumatic cylinder according to the present invention.

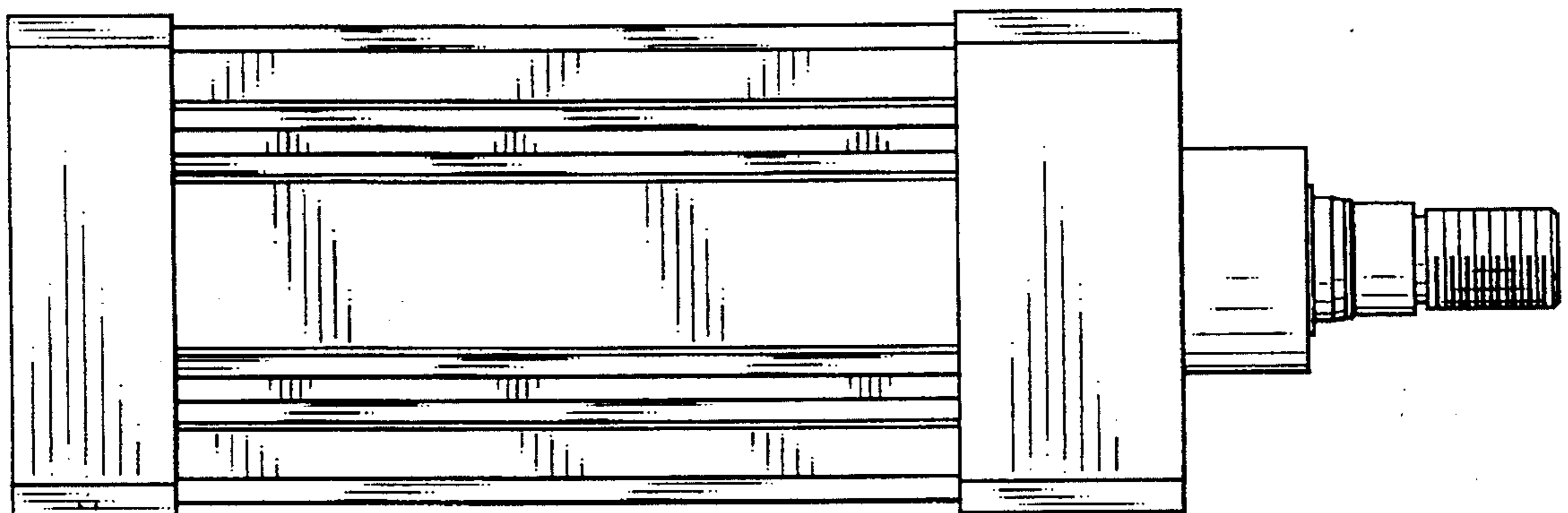
The right side view is a reverse image of the left side and the bottom view is the same as the left side view of FIG. 2.

**1 Claim, 2 Drawing Sheets**

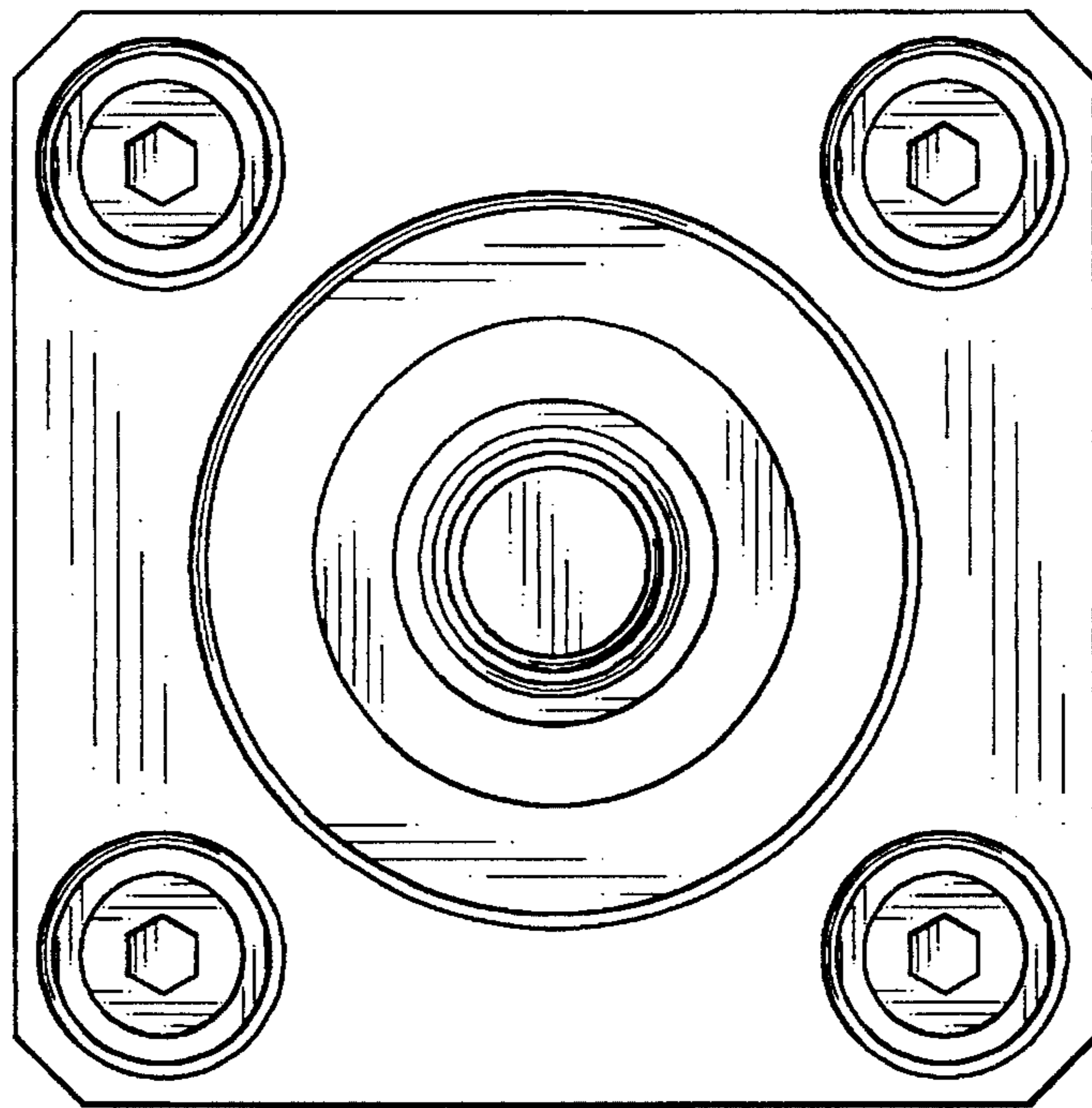




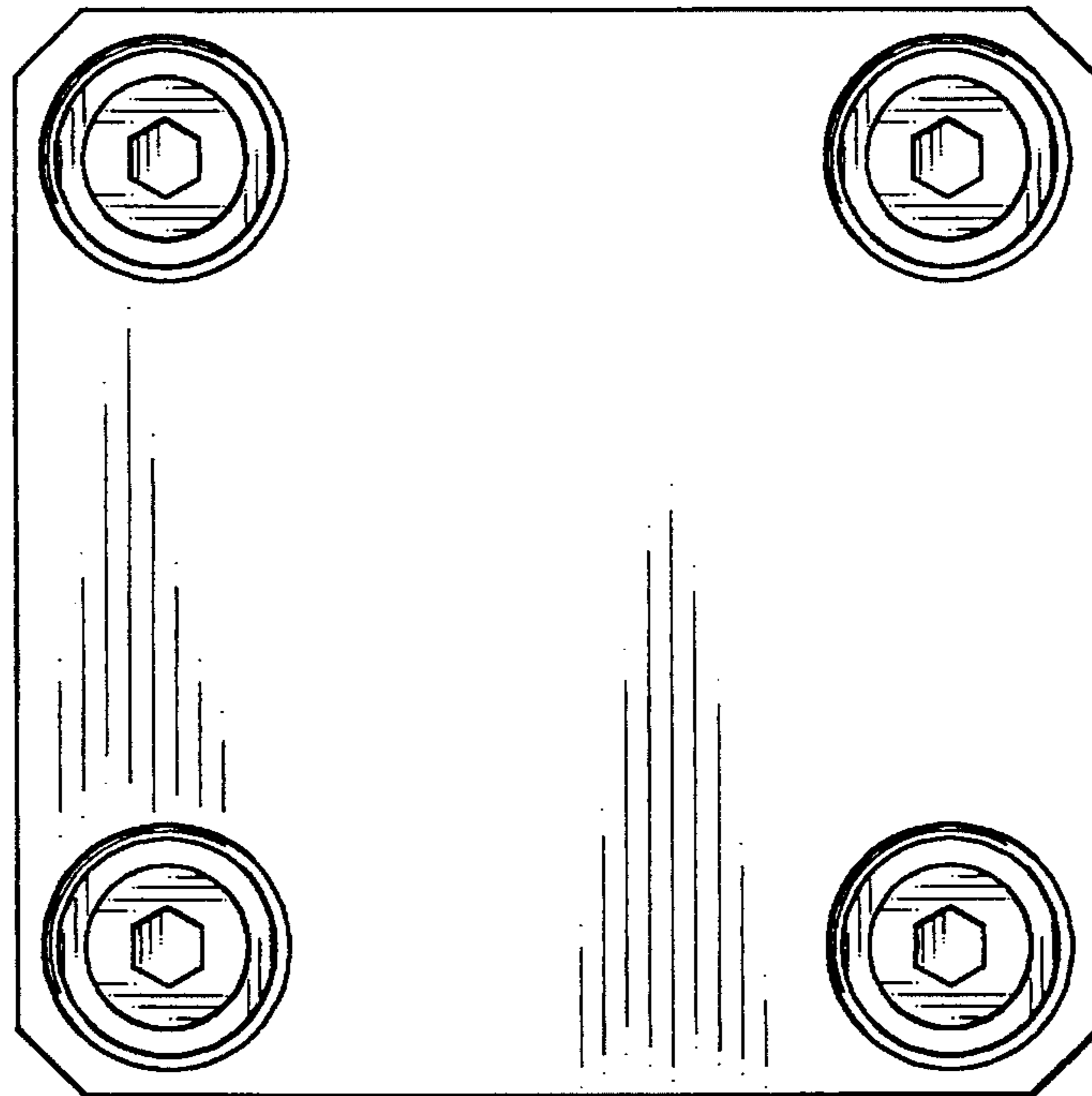
*FIG. 1*



*FIG. 2*



*FIG. 3*



*FIG. 4*