



US00D370682S

United States Patent [19]

[11] **Patent Number: Des. 370,682**

Jennings et al.

[45] **Date of Patent: **Jun. 11, 1996**

[54] **HOUSING OF A FAN CLUTCH**

D. 335,290 5/1993 Flowtow D15/5
5,131,352 7/1992 Hoshino 123/41.49

[75] Inventors: **James A. Jennings, Azle; Neil T. Houters, Arlington, both of Tex.**

Primary Examiner—Ralf Seifert
Attorney, Agent, or Firm—Joseph V. Tassone

[73] Assignee: **Dayco Products, Inc., Dayton, Ohio**

[57] **CLAIM**

[**] Term: **14 Years**

The ornamental design for a housing of a fan clutch, as shown and described.

[21] Appl. No.: **35,547**

DESCRIPTION

[22] Filed: **Mar. 1, 1995**

[52] **U.S. Cl.** **D15/5**

[58] **Field of Search** D15/5; 123/41.48,
123/41.49, 41.11; 415/121.2; 416/247 R

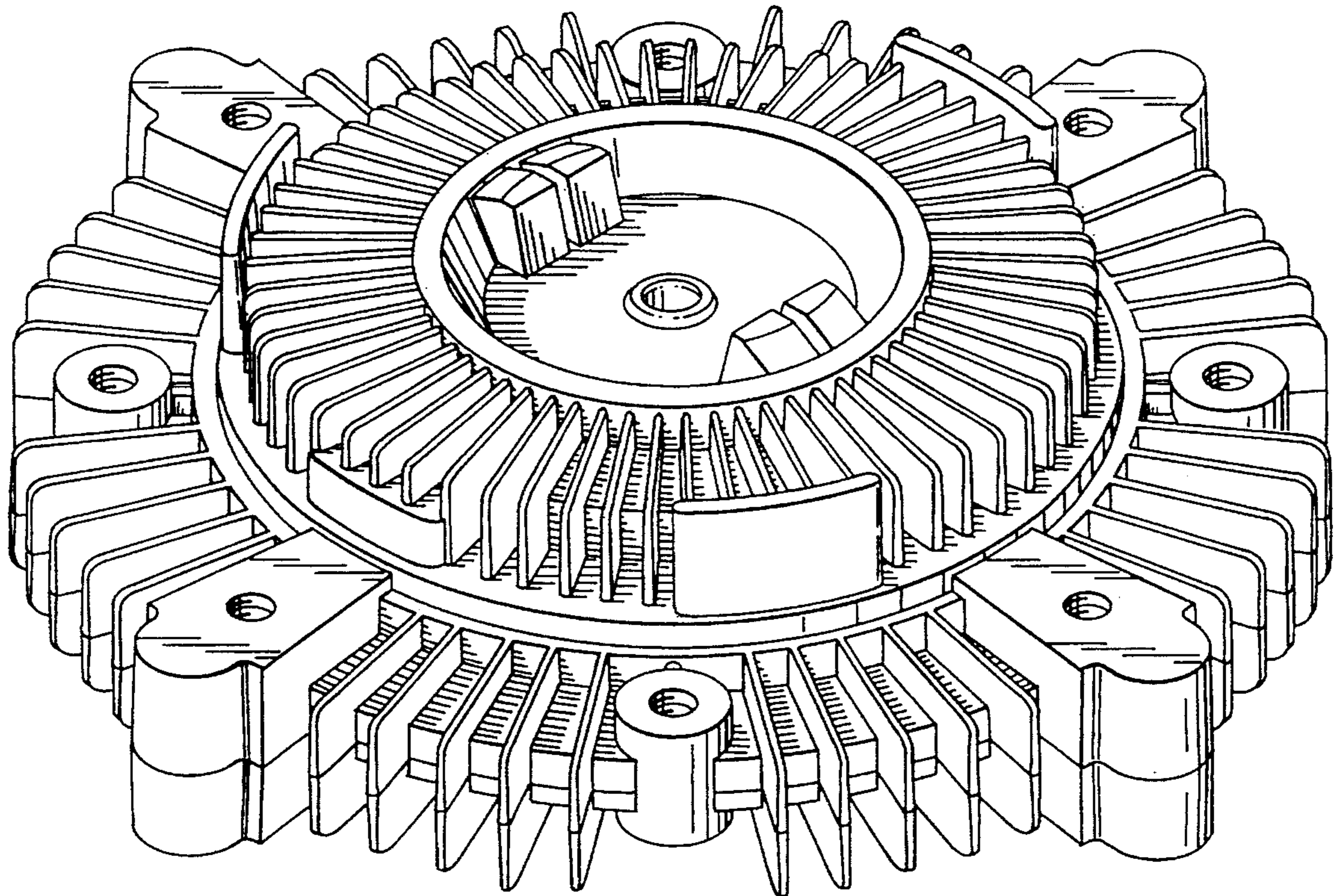
FIG. 1 is a front perspective view of a housing of a fan clutch showing our new design;
FIG. 2 is a rear perspective view of the housing of FIG. 1;
FIG. 3 is a front view of the housing of FIG. 1;
FIG. 4 is a rear view of the housing of FIG. 1;
FIG. 5 is a left side view of the housing of FIG. 1 and is taken in the direction of the arrows 5—5 of FIG. 3; and,
FIG. 6 is a right side view of the housing of FIG. 1 and is taken in the direction of the arrows 6—6 of FIG. 3.

[56] **References Cited**

U.S. PATENT DOCUMENTS

- D. 240,461 7/1976 Leichter D15/5
- D. 269,783 7/1983 Heater D15/5
- D. 322,075 12/1991 Jennings et al. D15/5
- D. 334,197 3/1993 Flotow D15/5

1 Claim, 5 Drawing Sheets



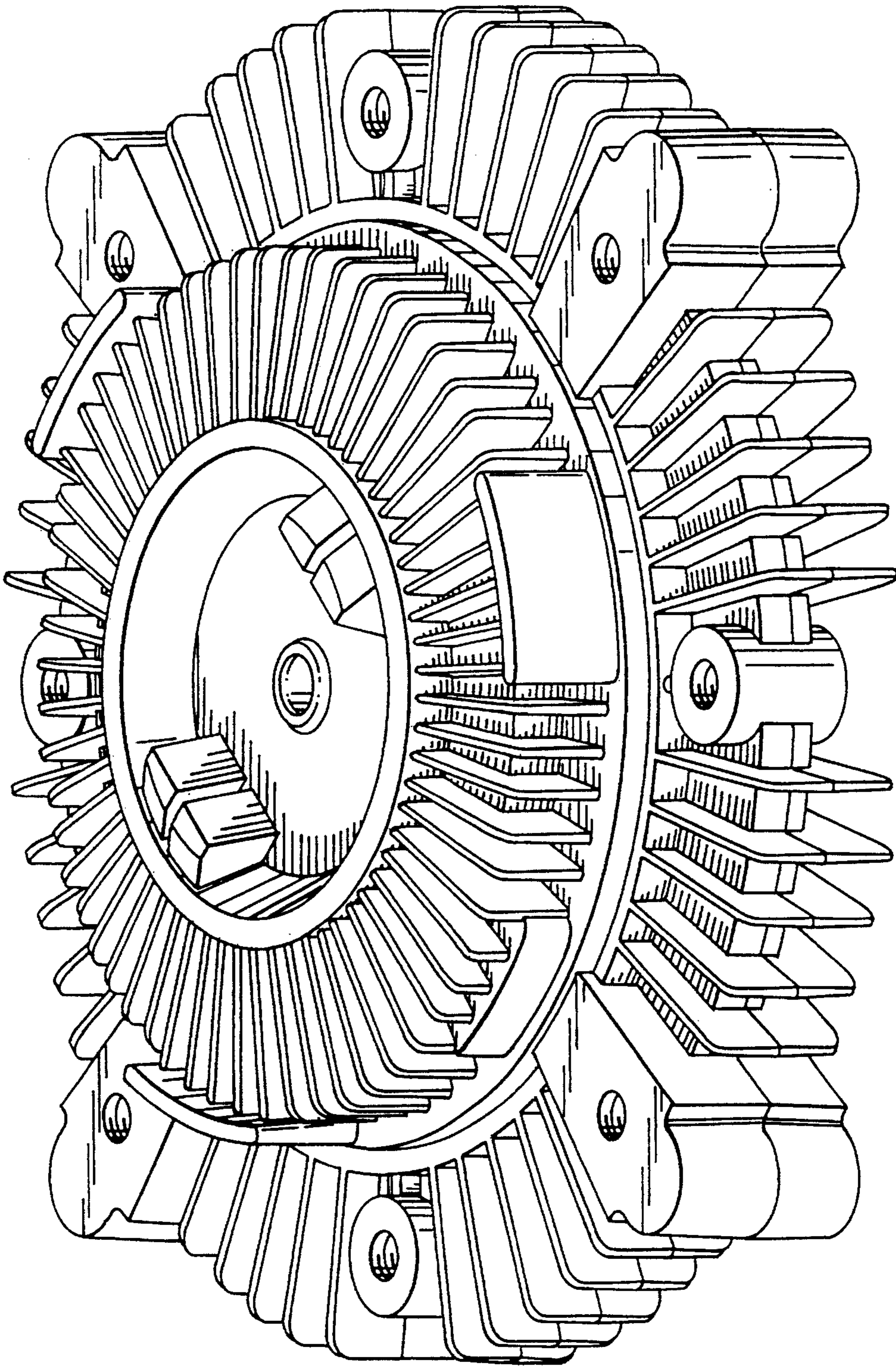


FIG.1

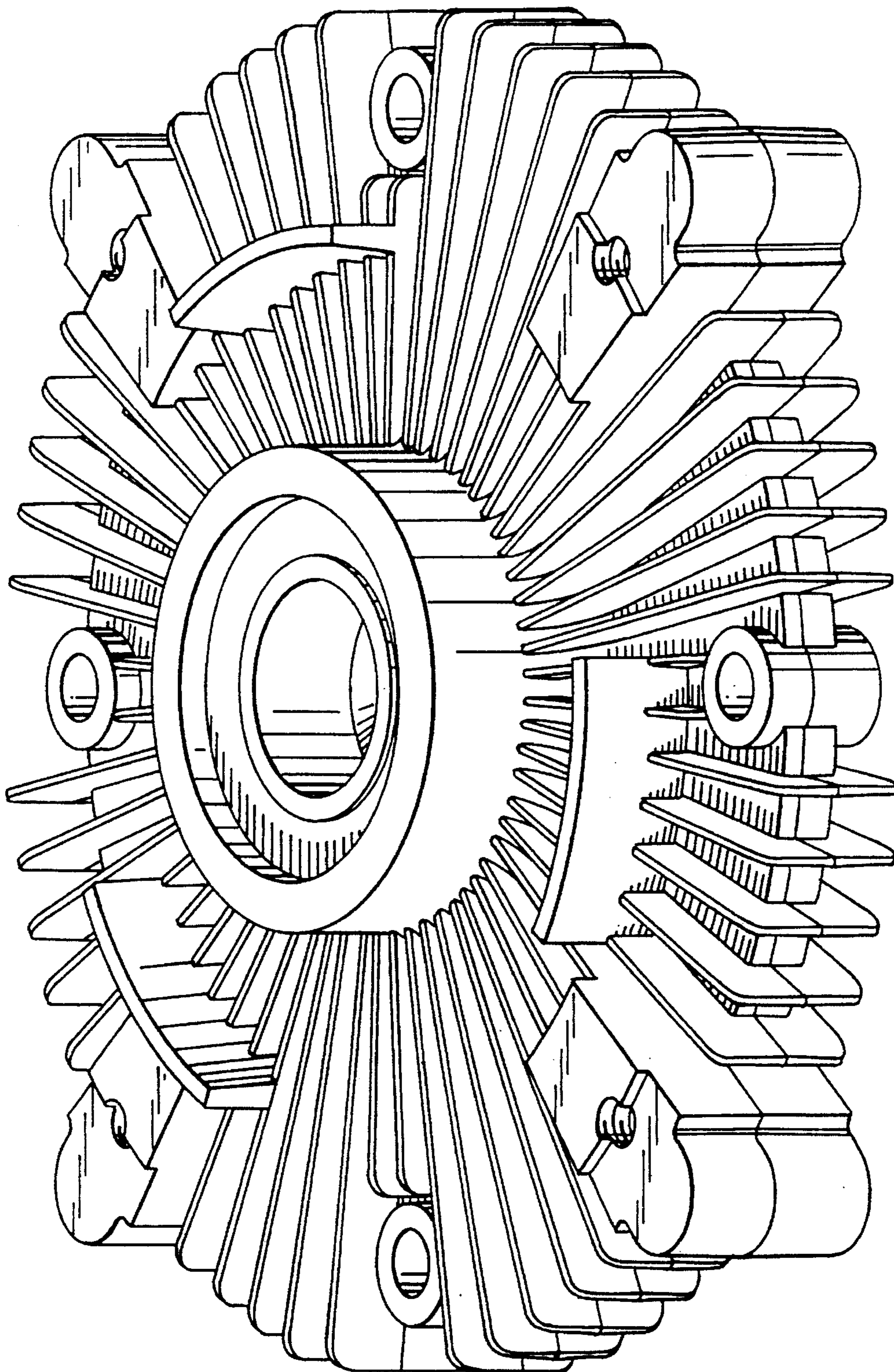


FIG. 2

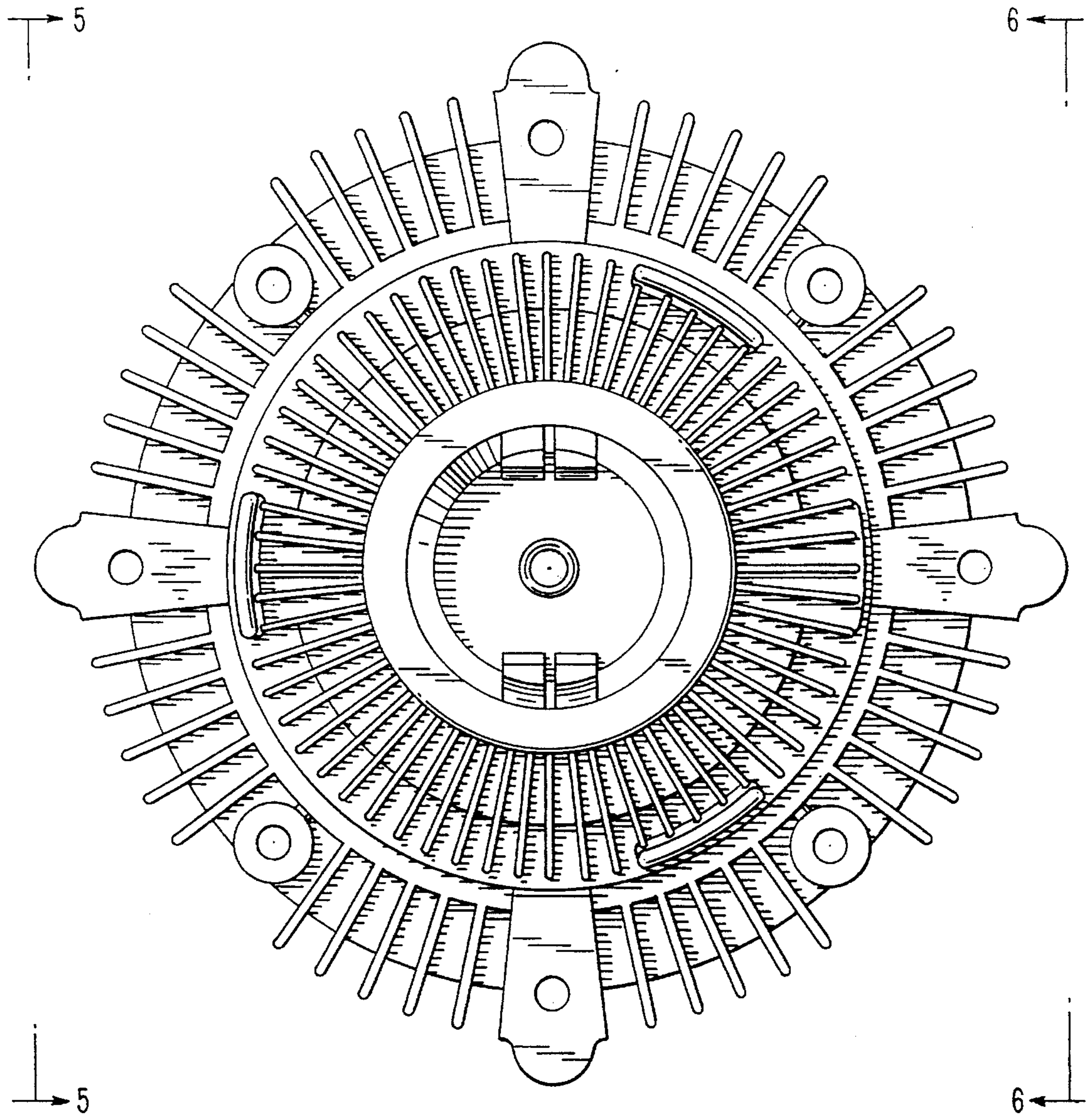


FIG. 3

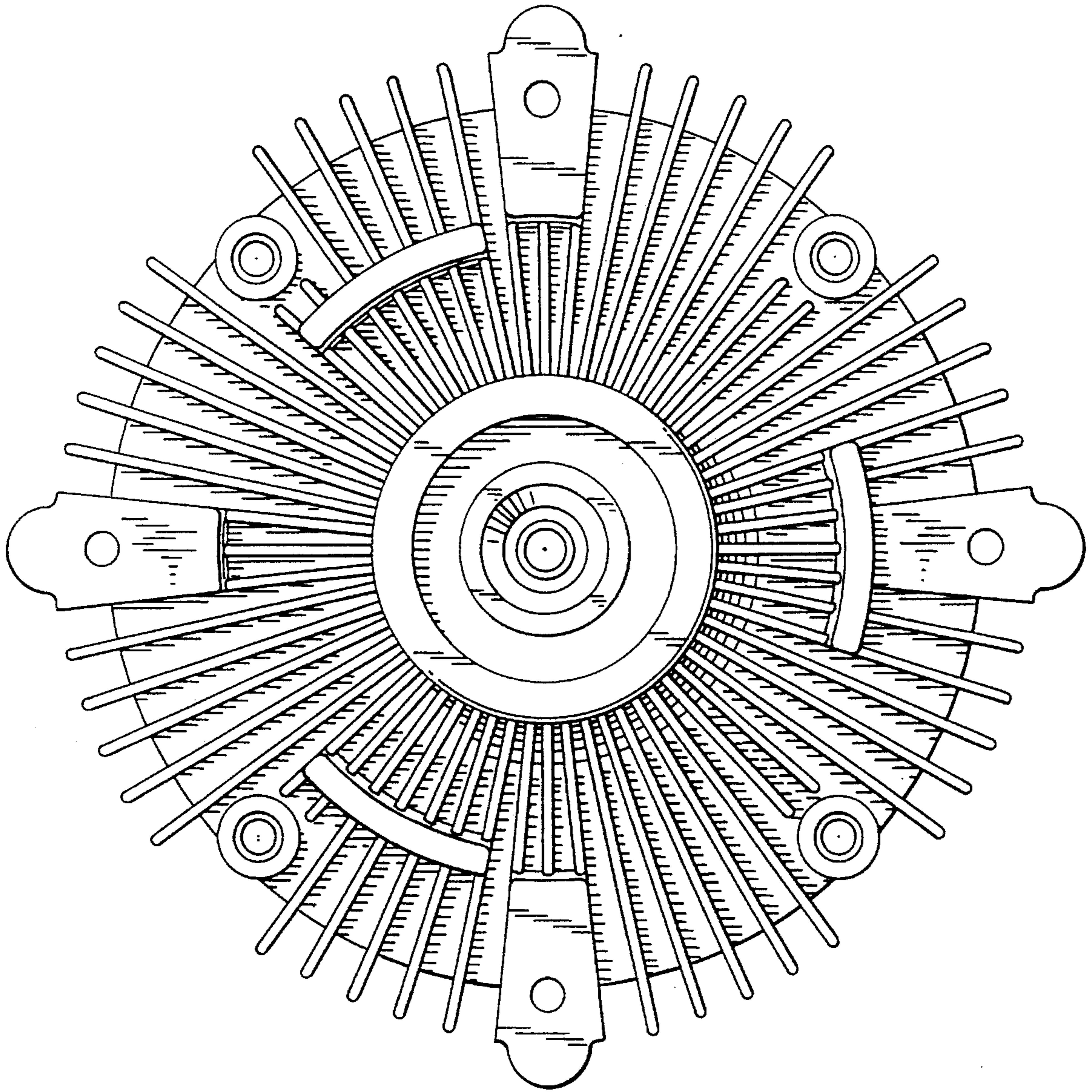


FIG. 4

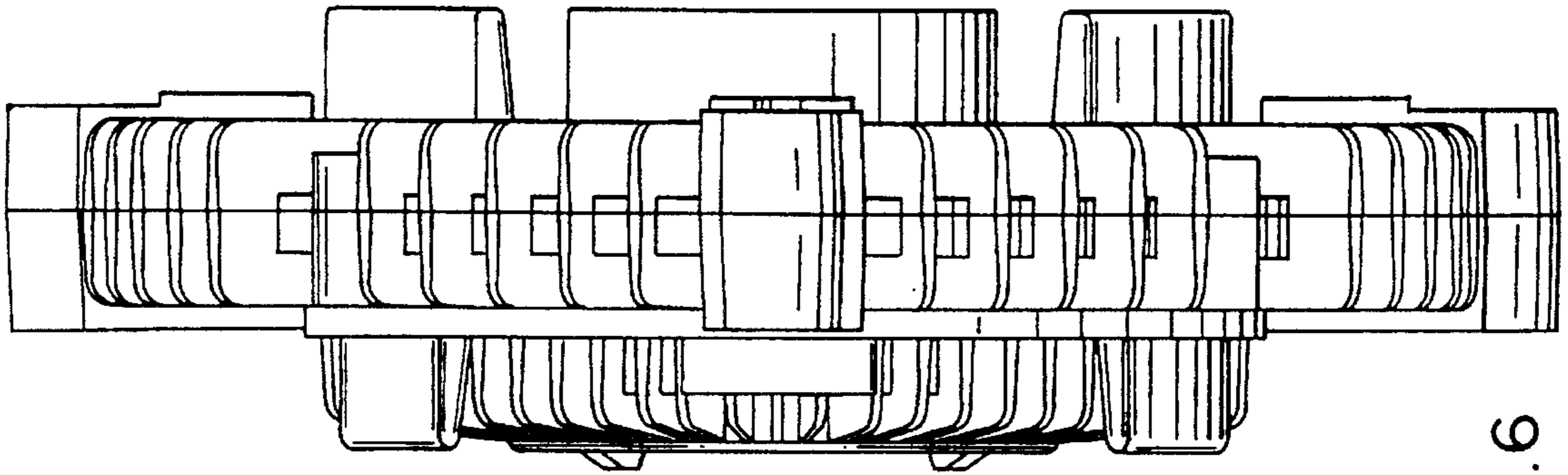


FIG. 5

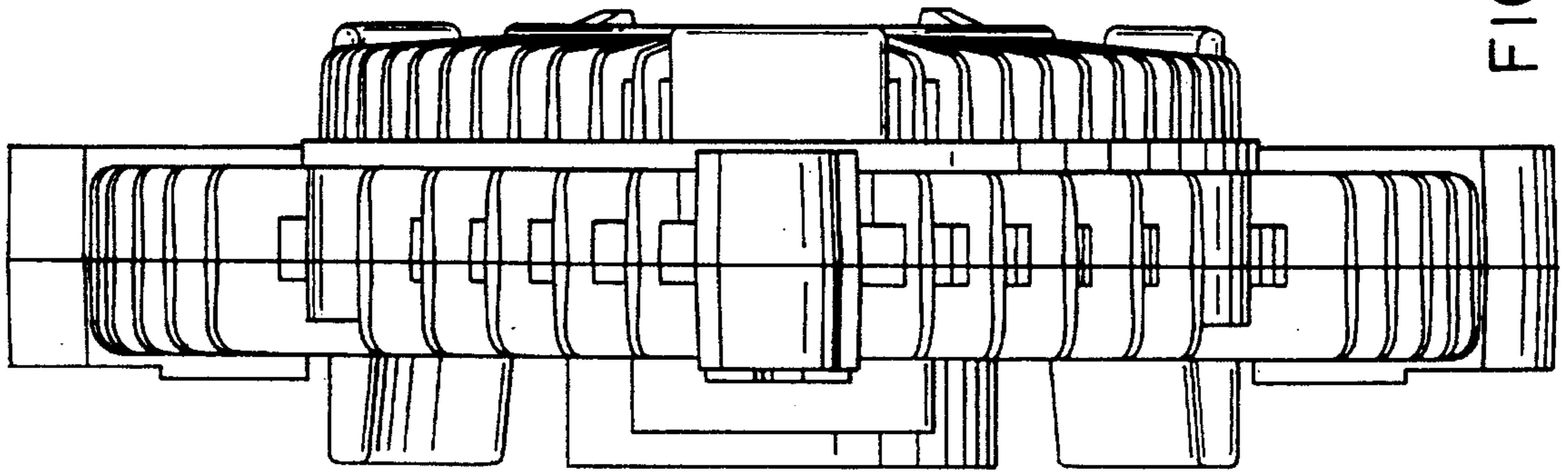


FIG. 6