



US00D370681S

United States Patent [19] Diamond

[11] Patent Number: Des. 370,681

[45] Date of Patent: **Jun. 11, 1996

[54] CELLULAR PHONE AND NOTE PAD HOLDER

[76] Inventor: Jerome Diamond, 5923 Etiwanda, No. 101, Tarzana, Calif. 91356

[**] Term: 14 Years

[21] Appl. No.: 39,783

[22] Filed: Nov. 16, 1993

[52] U.S. Cl. D14/252; D6/513; D7/620; D19/87

[58] Field of Search D6/513, 567, 476; D7/620; D3/218; D19/87; D14/138, 142, 250-253, 140, 240; 248/311.2, 215, 339; 379/454, 455, 446, 441; 455/89, 90

[56] References Cited

U.S. PATENT DOCUMENTS

D. 184,411	2/1959	Schoen	D14/252
D. 294,827	3/1988	Woodfork	D14/250
D. 308,870	6/1990	Rioux, Jr.	D14/251
D. 311,919	11/1990	Klaczak et al.	D14/138 X
D. 340,622	10/1993	Park et al.	D6/513 X
1,816,049	7/1931	Larner	D3/218
4,535,921	8/1985	Sanders	248/311.2 X
4,727,890	3/1988	Vincent	248/311.2 X
5,000,327	3/1991	Kincheloe	D6/567 X
5,042,770	8/1991	Louthan	D7/620 X
5,222,132	6/1993	Rioux, Jr.	379/455
5,230,016	6/1993	Yasuda	379/455 X
5,280,870	1/1994	Chick et al.	248/311.2

5,388,155 2/1995 Smith 379/446

Primary Examiner—Jeffrey Asch
Attorney, Agent, or Firm—David O'Reilly

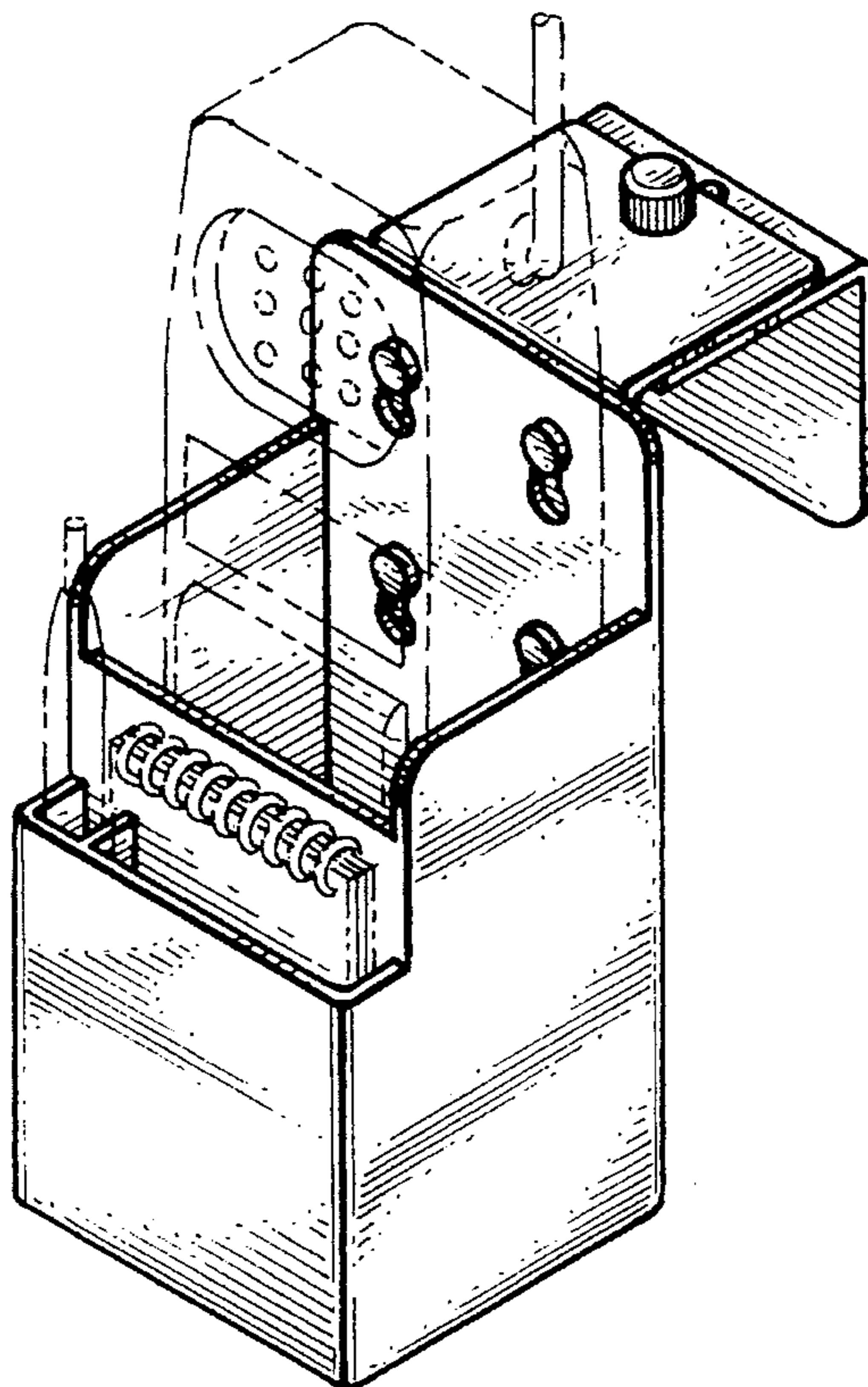
[57] CLAIM

The ornamental design for a cellular phone and note pad holder, as shown and described.

DESCRIPTION

FIG. 1 is an isometric view of one embodiment of a cellular phone and note pad holder according to the invention; FIG. 2 is a front view thereof; FIG. 3 is a right side view thereof, the left side view being an identical mirror image; FIG. 4 is a rear view thereof; FIG. 5 is a top view thereof; FIG. 6 is a bottom view thereof; FIG. 7 is a side elevation of a second embodiment of the cellular phone and note pad holder, the opposite side view being an identical mirror image, and the only difference over the first embodiment being in the top portion of the hook; FIG. 8 is a rear view of the design shown in FIG. 7; FIG. 9 is a top view of the design of FIG. 7; FIG. 10 is a bottom view of the design of FIG. 7; FIG. 11 is a side elevation of a third embodiment of the cellular phone and note pad holder, the opposite side view being an identical mirror image, and the only difference over the first embodiment being in the mounting means; and, FIG. 12 is a rear view of the design shown in FIG. 11.

1 Claim, 2 Drawing Sheets



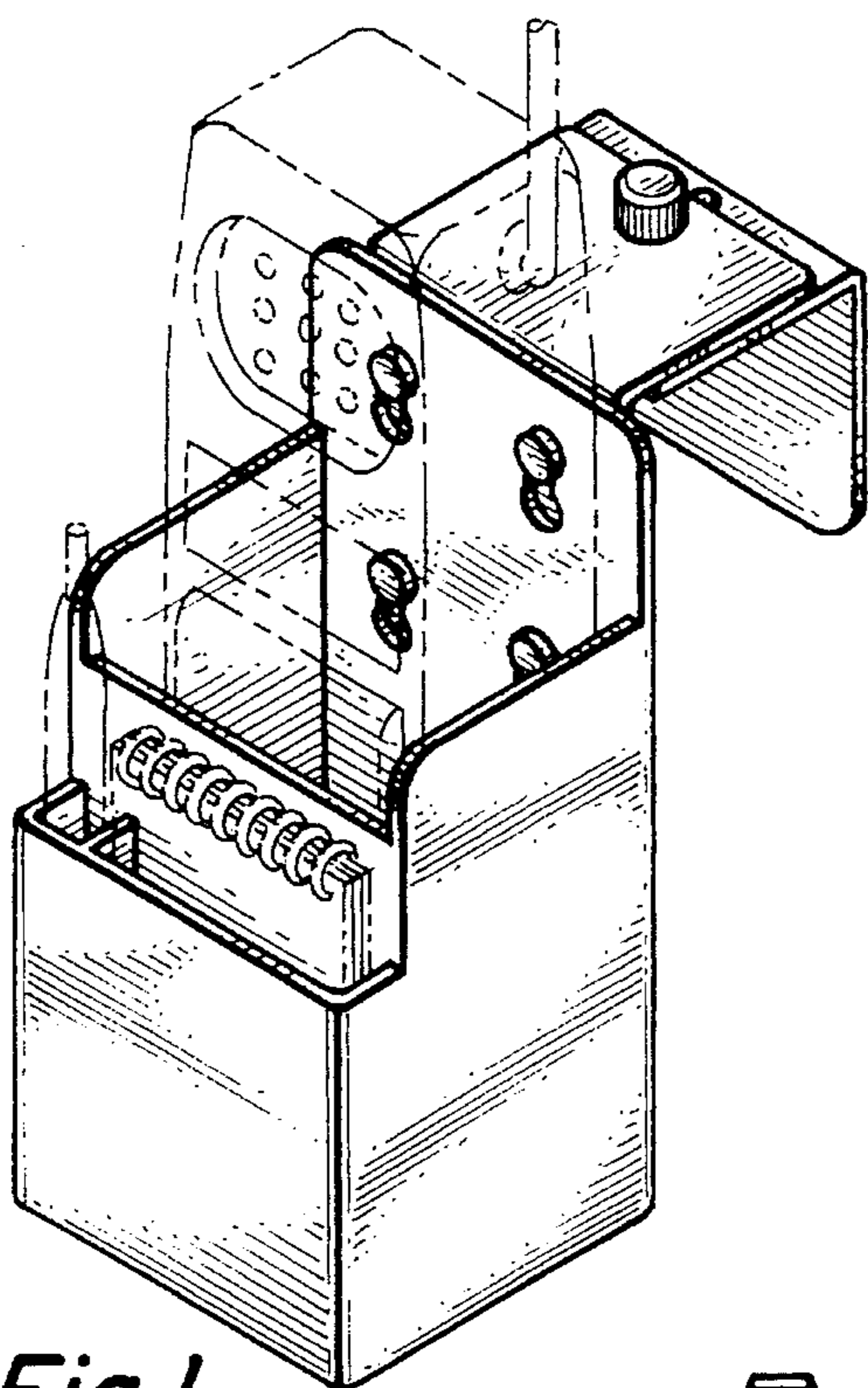


Fig. 1.

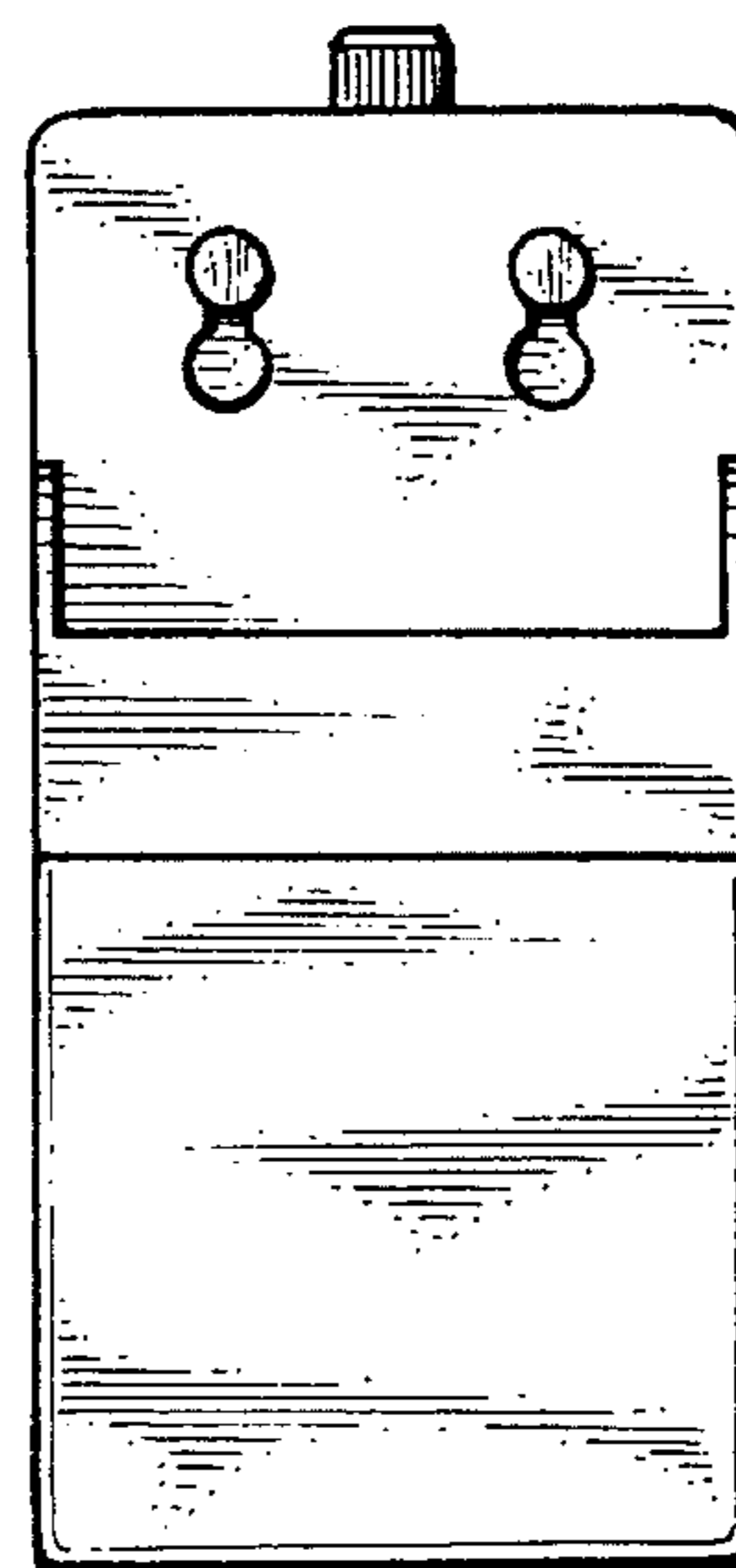


Fig. 2.

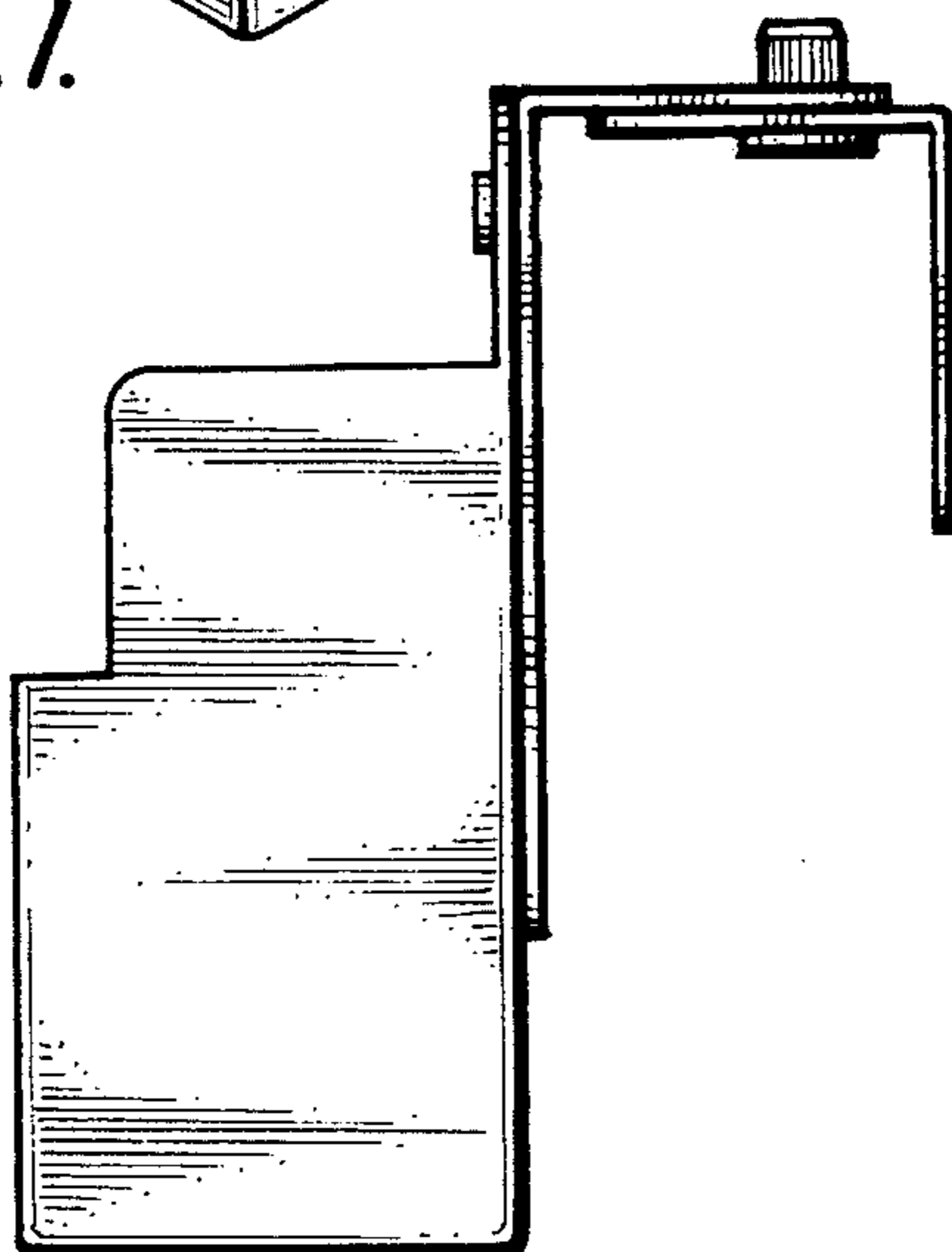


Fig. 3.

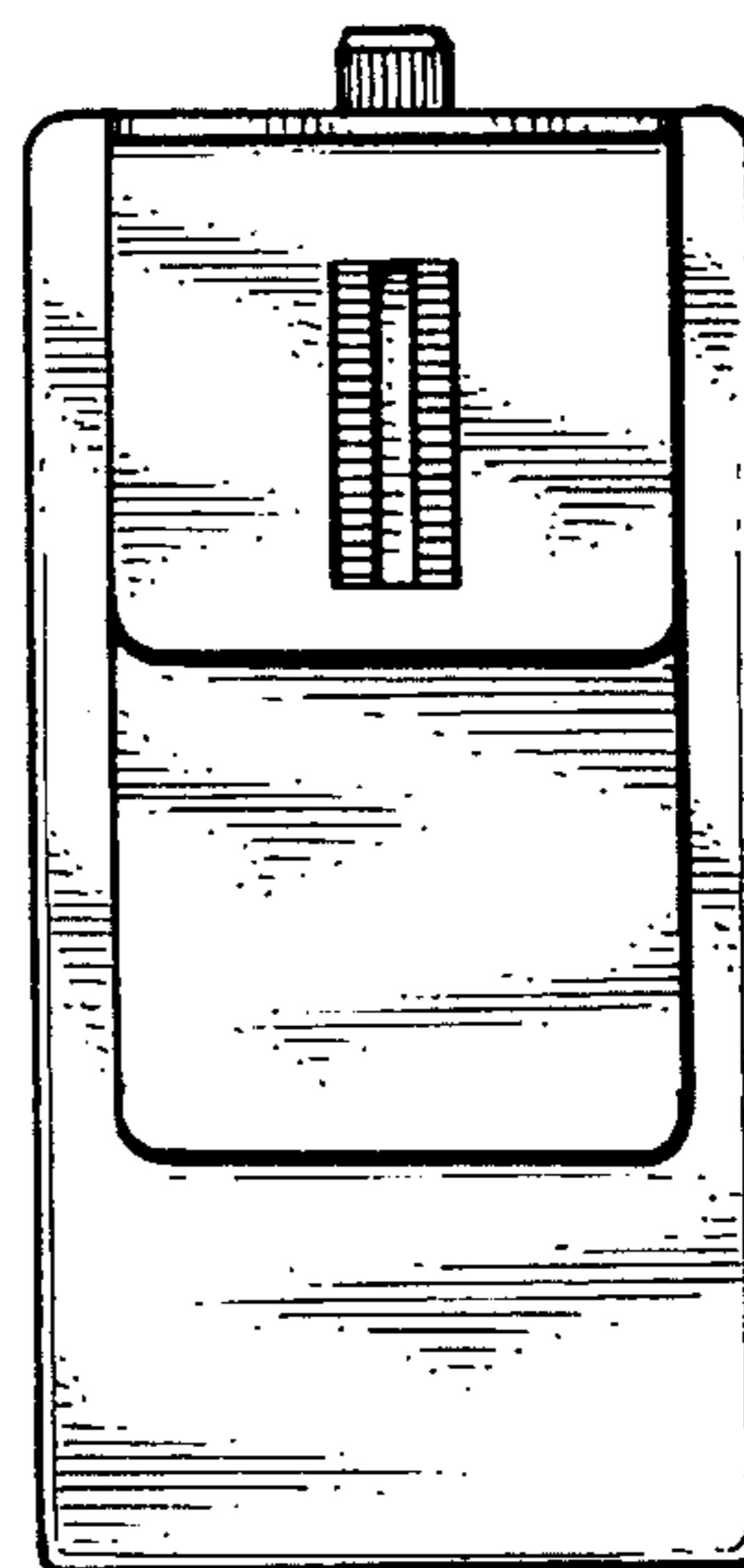


Fig. 4.

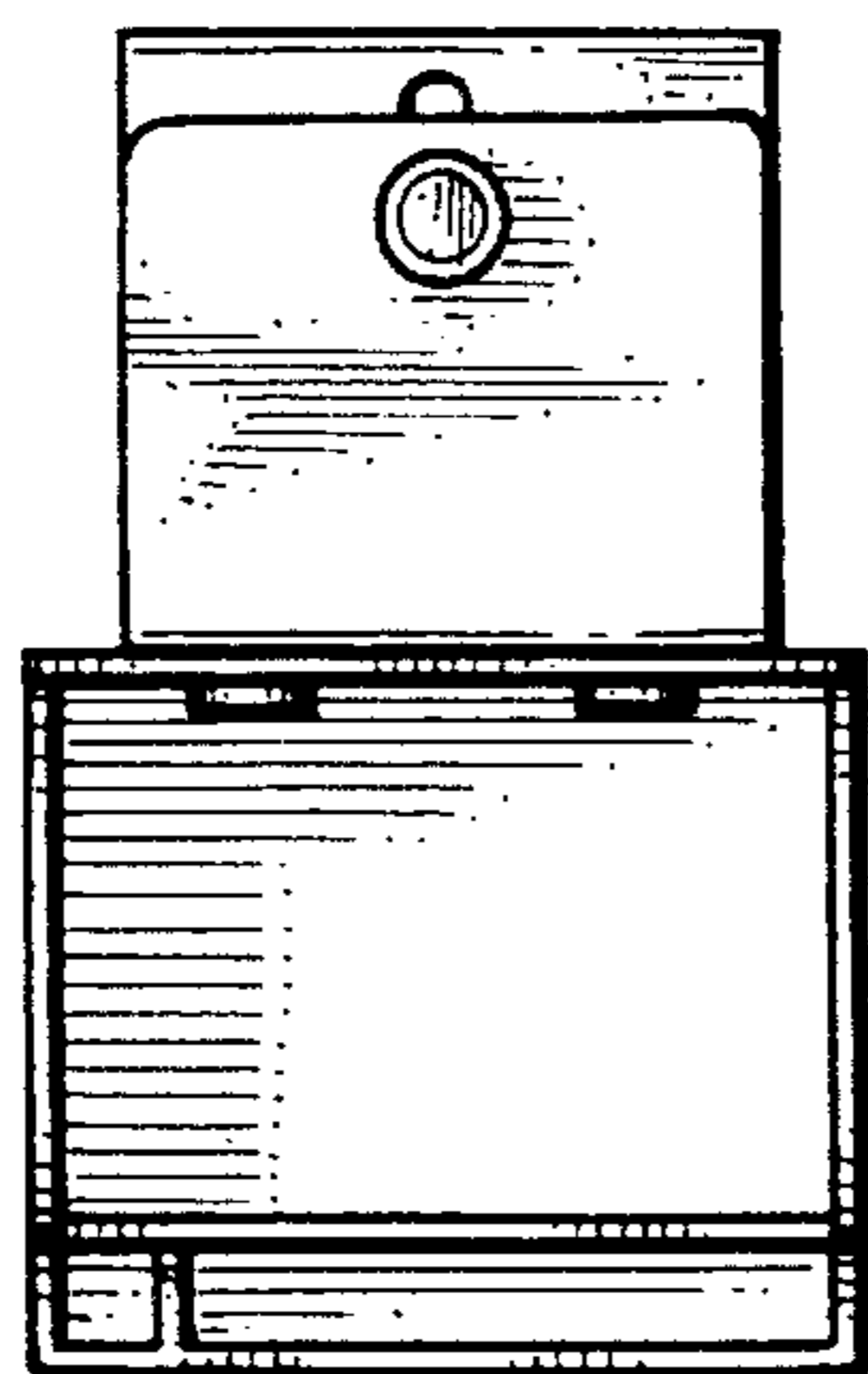


Fig. 5.

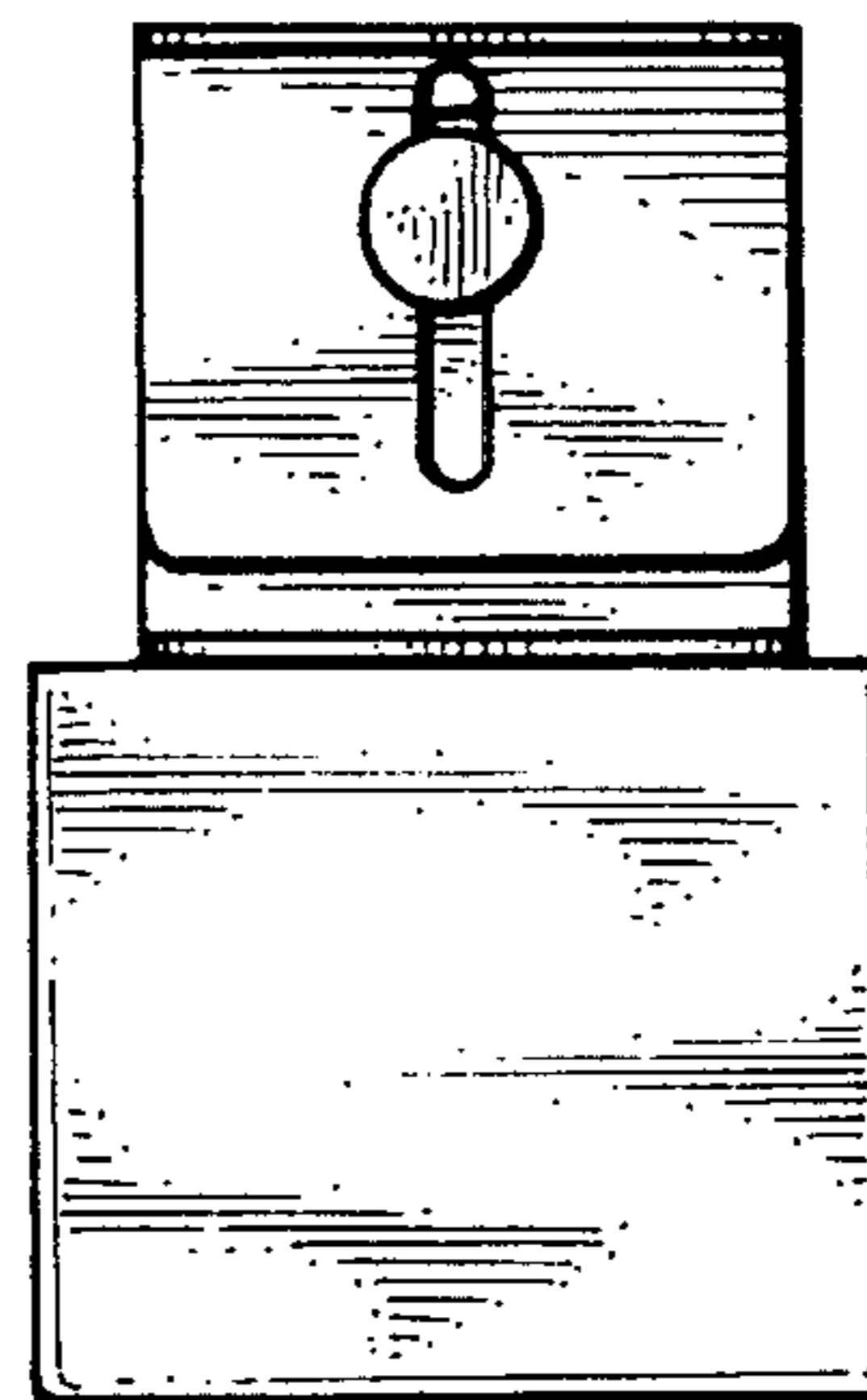


Fig. 6.

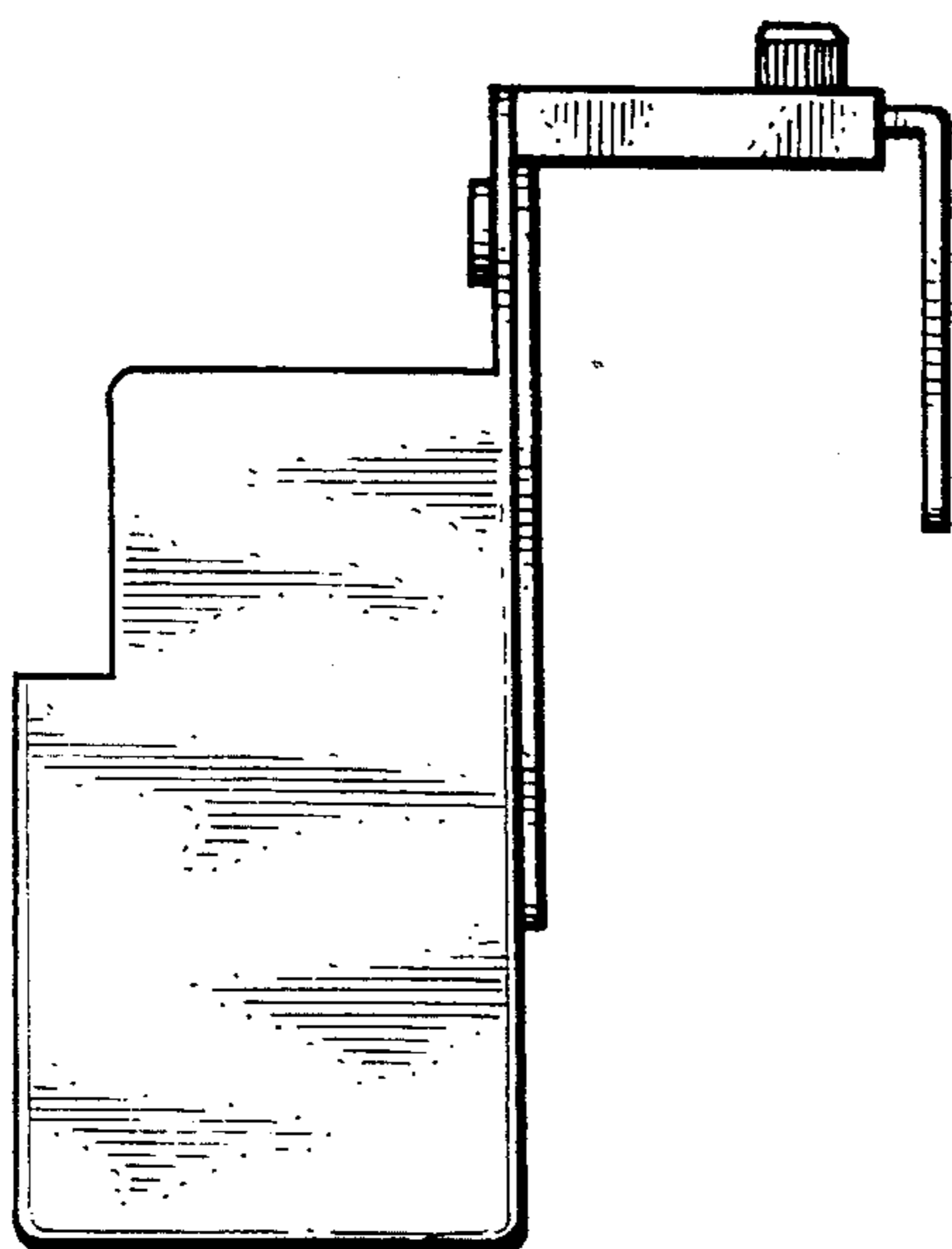


Fig. 7.

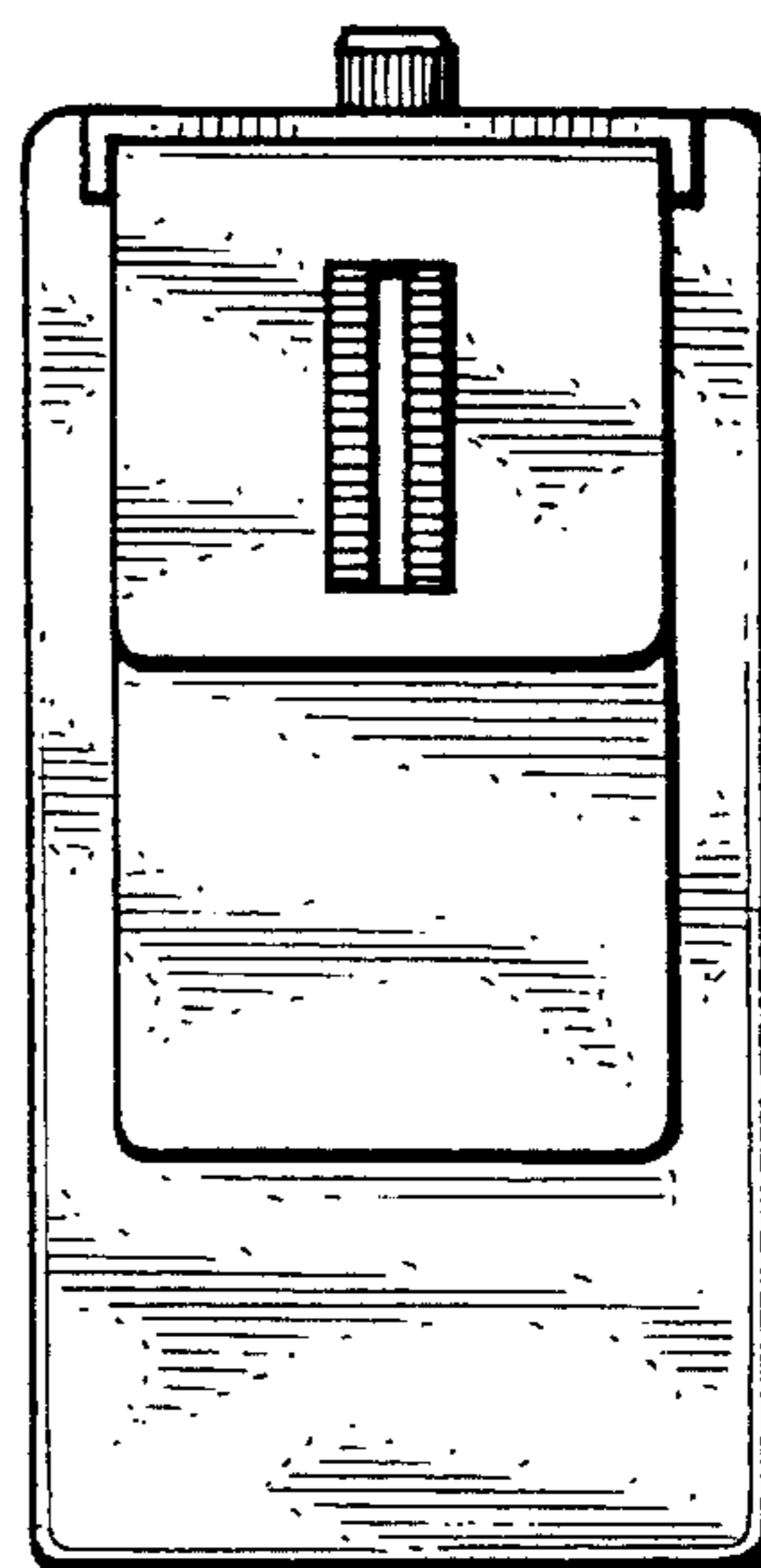


Fig. 8.

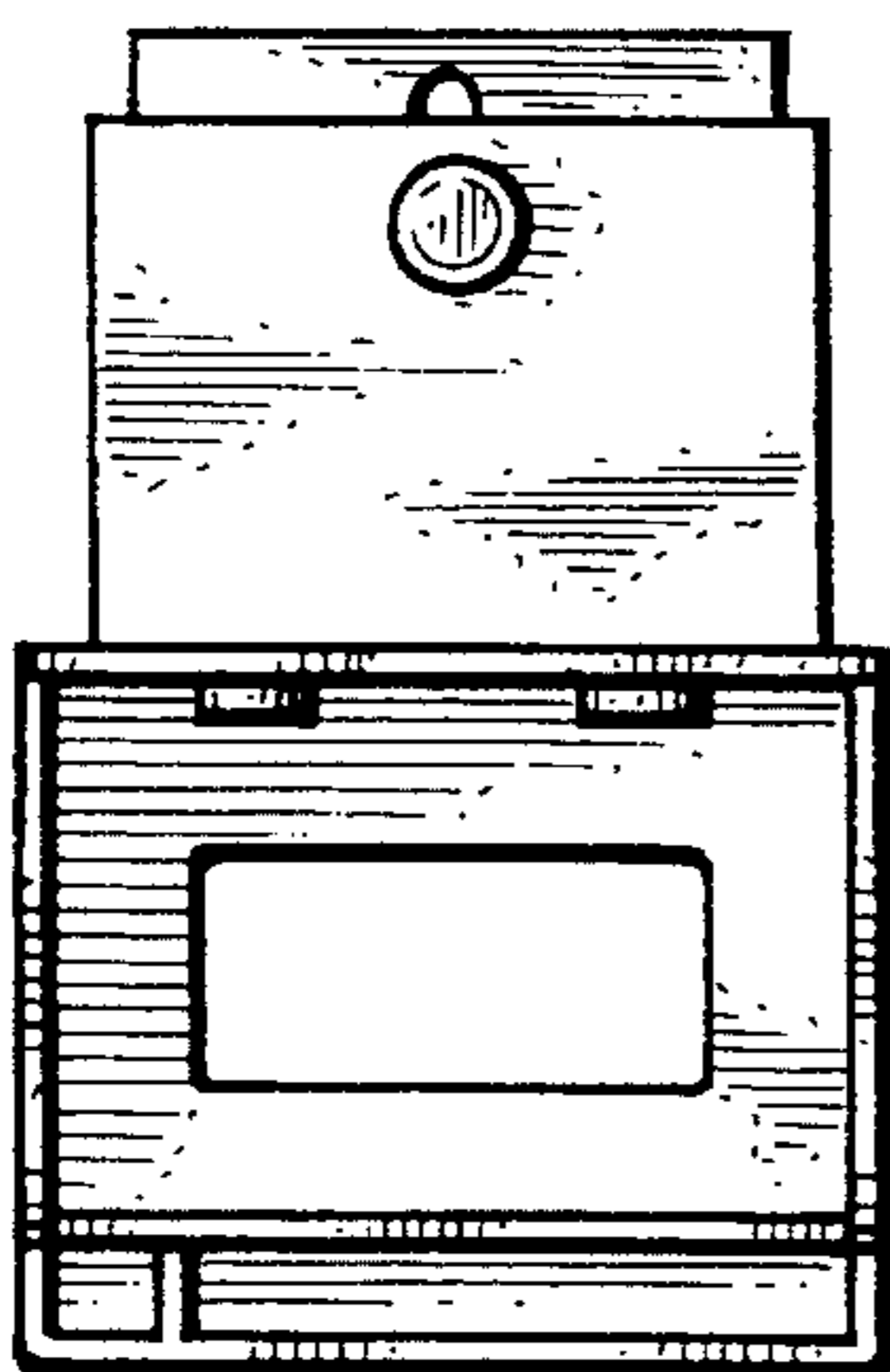


Fig. 9.

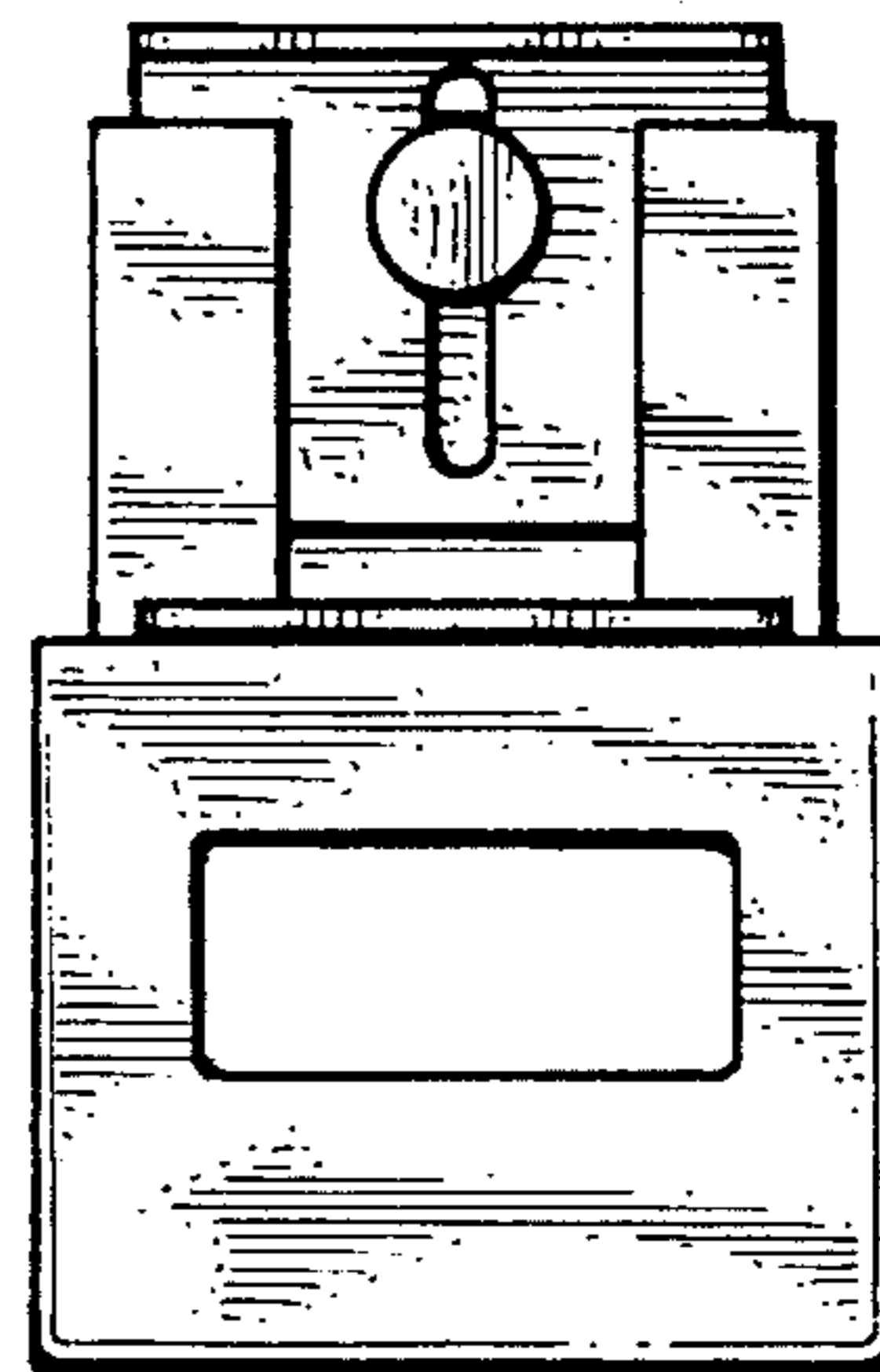


Fig. 10.

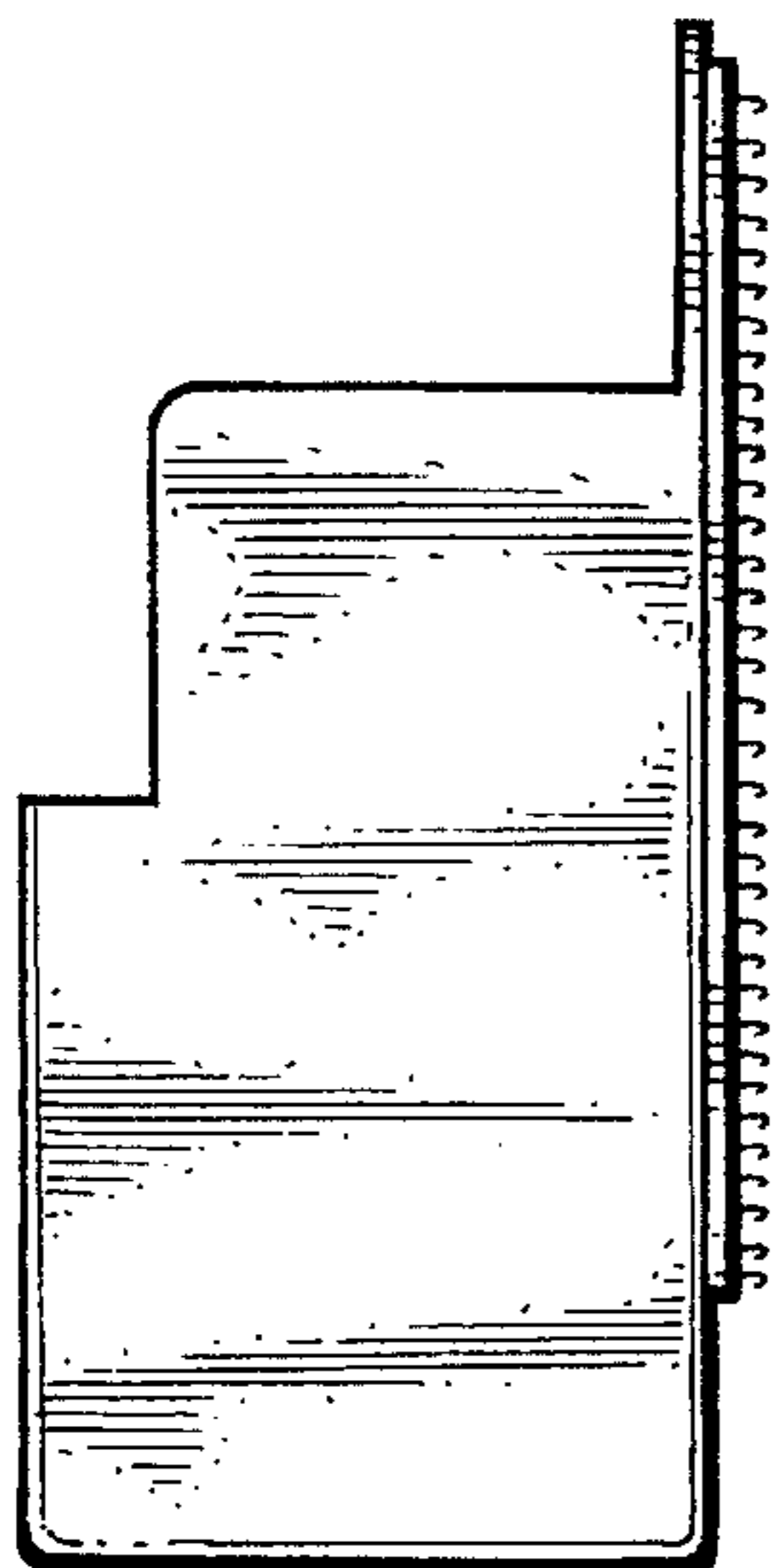


Fig. 11.

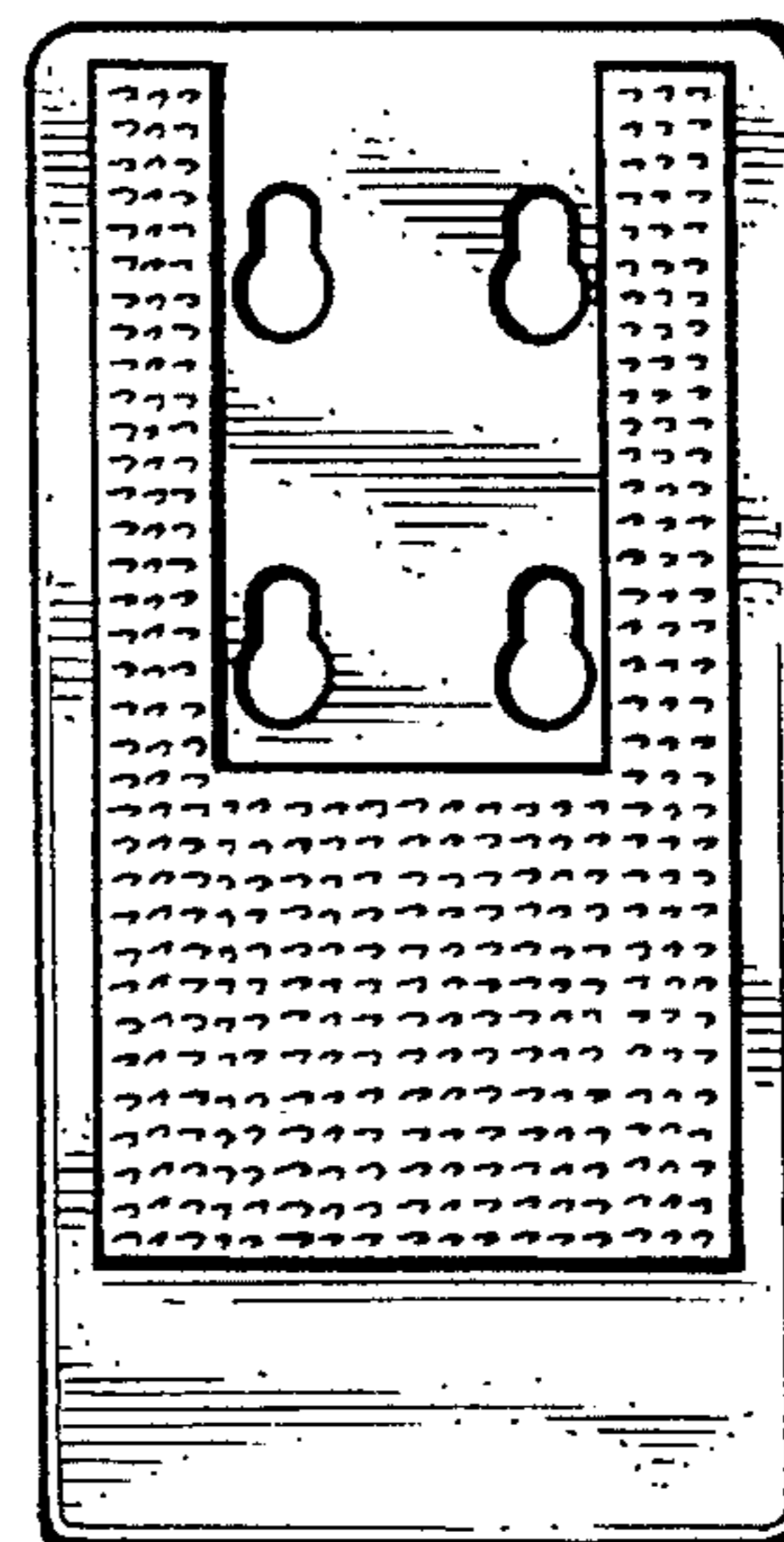


Fig. 12.