



US00D370680S

United States Patent [19]
Kobayashi

[11] **Patent Number: Des. 370,680**

[45] **Date of Patent: **Jun. 11, 1996**

[54] **LOUDSPEAKER**

D. 342,522 12/1993 Kurachi D14/213
5,181,301 1/1993 Wheeler 181/159 X

[75] Inventor: **Tomohiko Kobayashi**, Tokyo, Japan

Primary Examiner—Prabhakar G. Deshmukh

[73] Assignee: **Pioneer Kabushiki Kaisha**, Tokyo, Japan

Assistant Examiner—Nanda Bondade

Attorney, Agent, or Firm—Armstrong, Westerman, Hattori, McLeland & Naughton

[**] Term: **14 Years**

[57] **CLAIM**

[21] Appl. No.: **37,127**

The ornamental design for a loudspeaker, as shown and described.

[22] Filed: **Apr. 4, 1995**

DESCRIPTION

[30] **Foreign Application Priority Data**

Oct. 7, 1994 [JP] Japan 6-30634

[52] **U.S. Cl.** **D14/214**

[58] **Field of Search** D14/204, 207-208,
D14/210, 212-214, 219-222; 181/144-145,
148, 150, 152-153, 157, 159, 198-199;
381/24, 88, 90-91, 153, 159, 186, 188

FIG. 1 is a front perspective view of a loudspeaker of my new design;

FIG. 2 is a front view thereof;

FIG. 3 is a rear view thereof;

FIG. 4 is a top view thereof;

FIG. 5 is a bottom view thereof; and,

FIG. 6 is a side view thereof taken from the right side of FIG. 2.

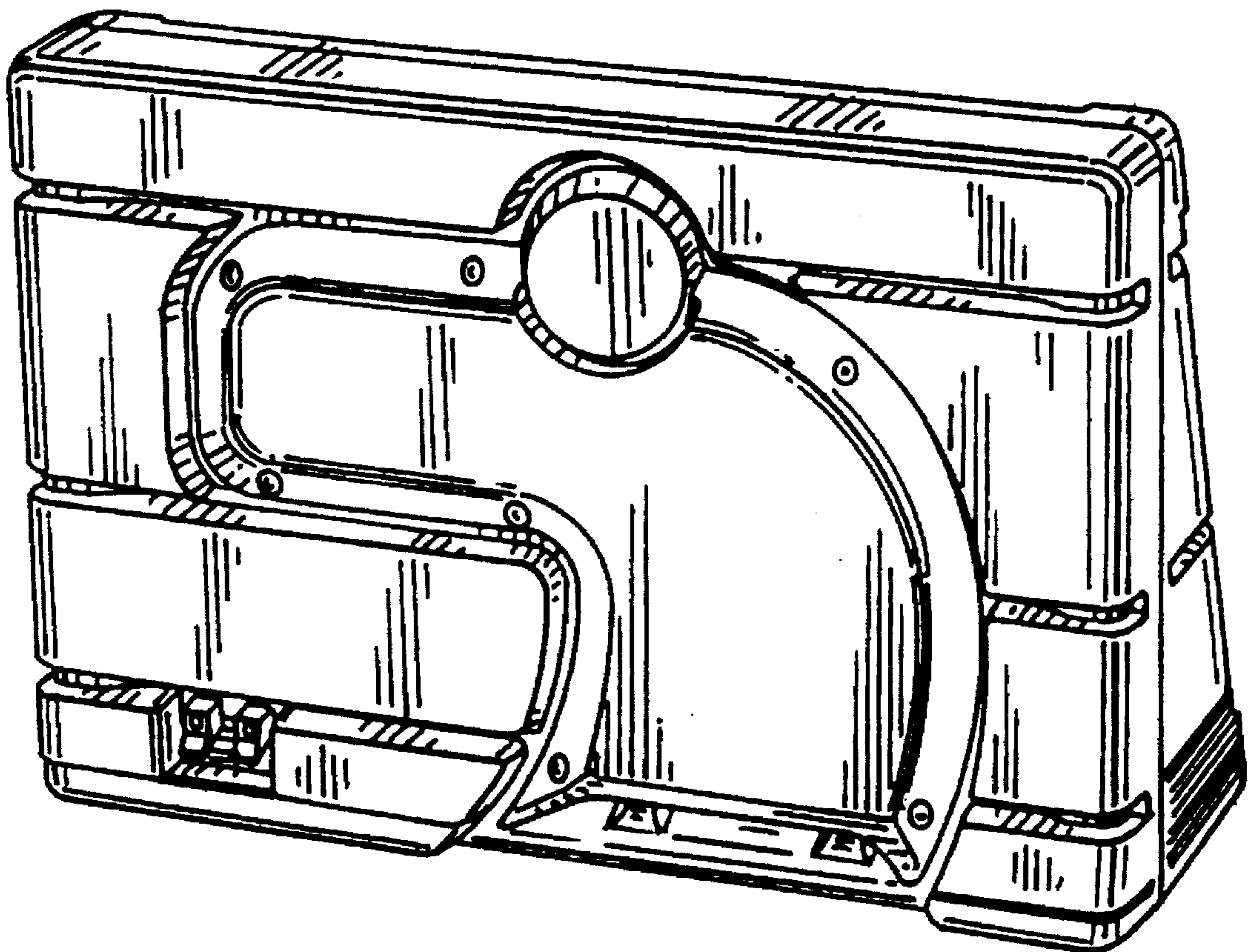
[56] **References Cited**

The left side of the loudspeaker, not shown, mirrors the right side.

U.S. PATENT DOCUMENTS

D. 315,737 3/1991 Hall D14/210 X

1 Claim, 3 Drawing Sheets



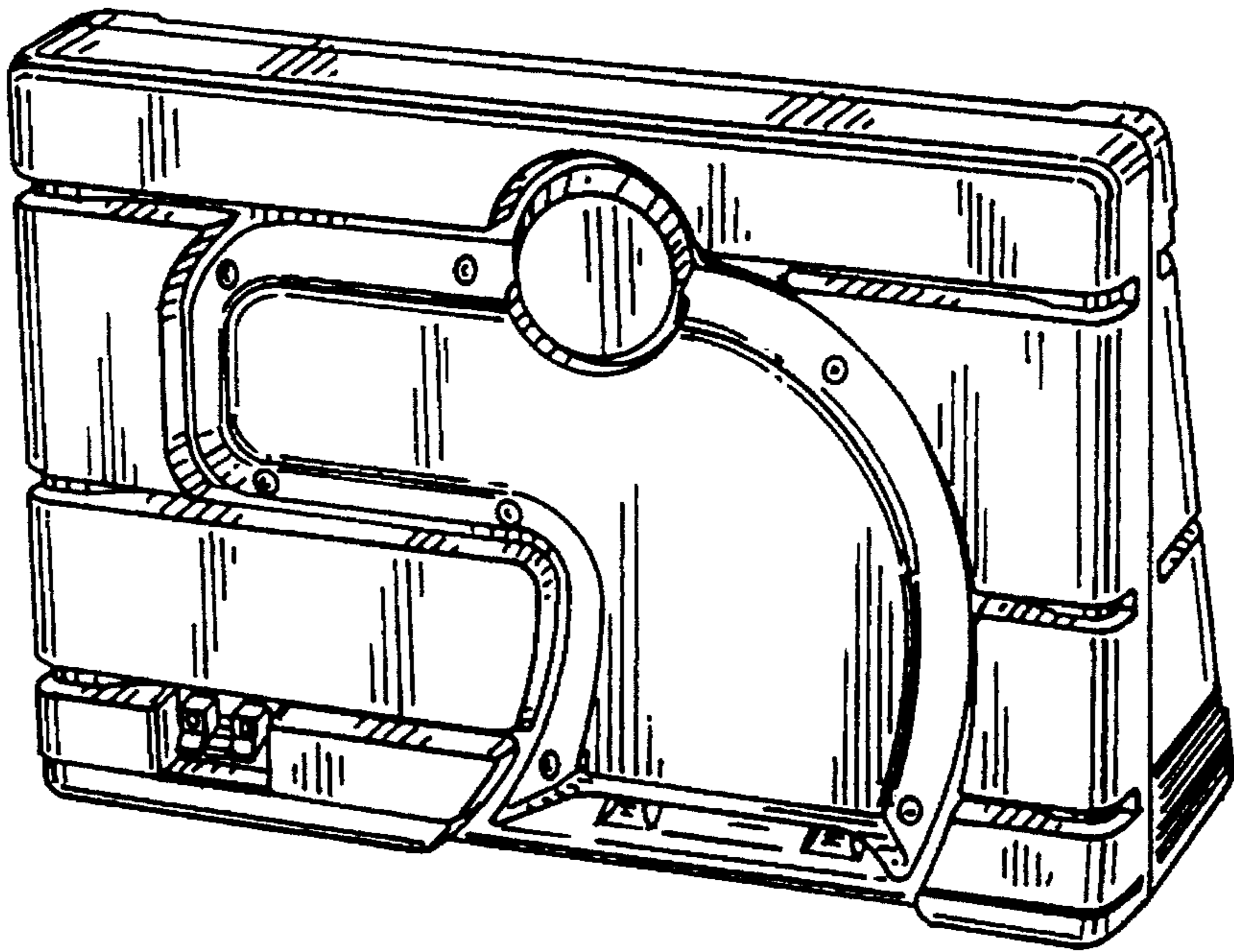


FIG. 1

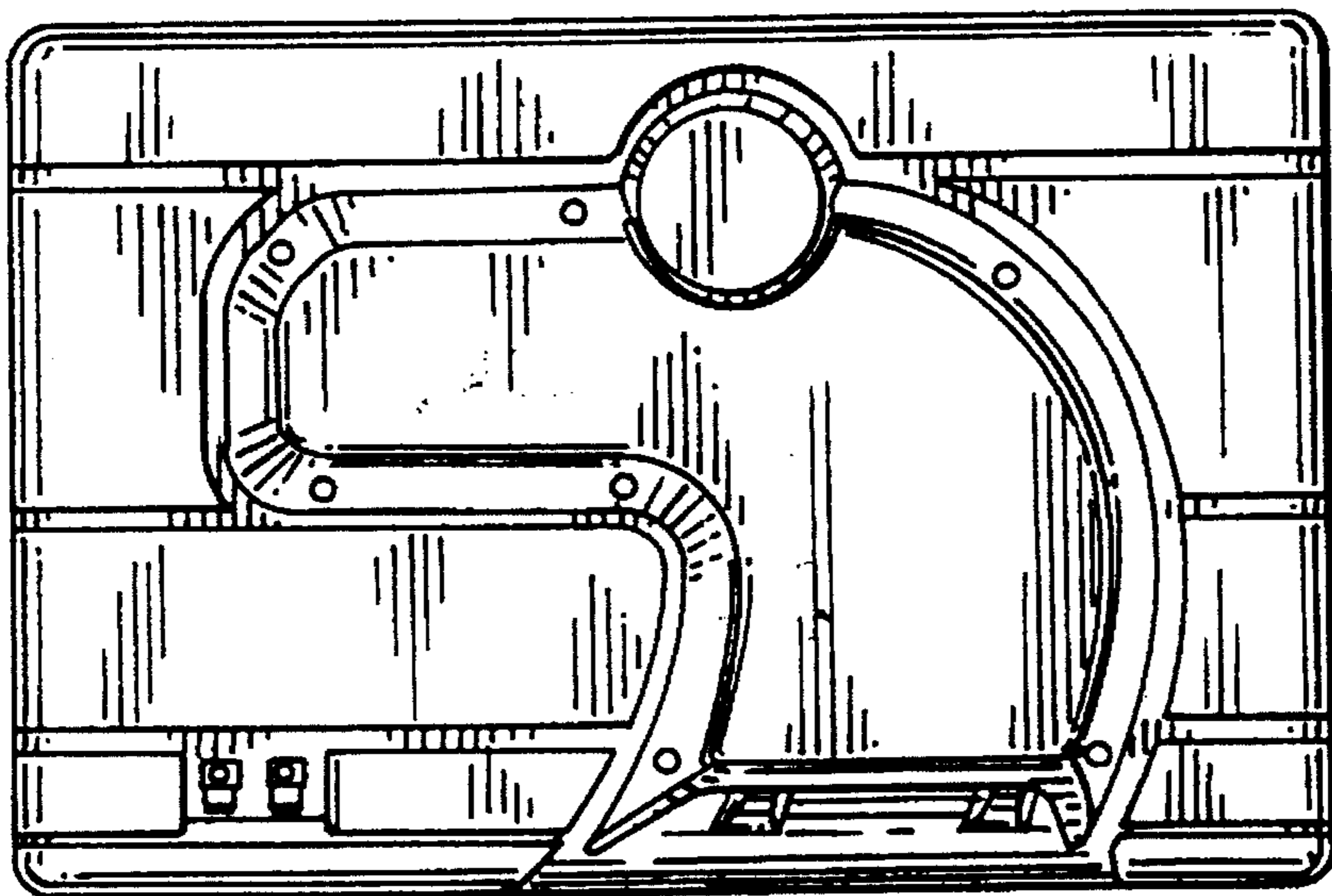


FIG. 2

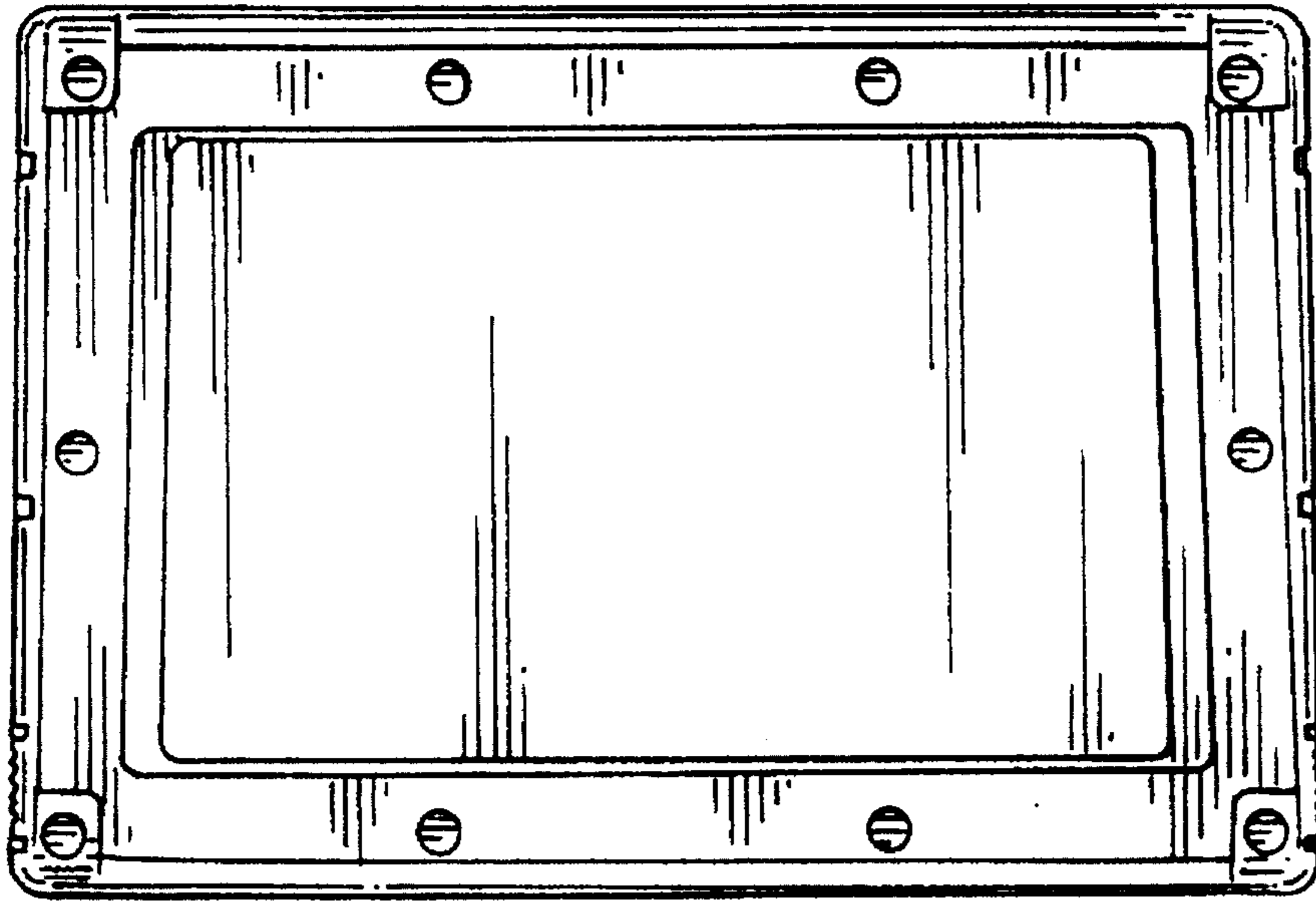


FIG. 3

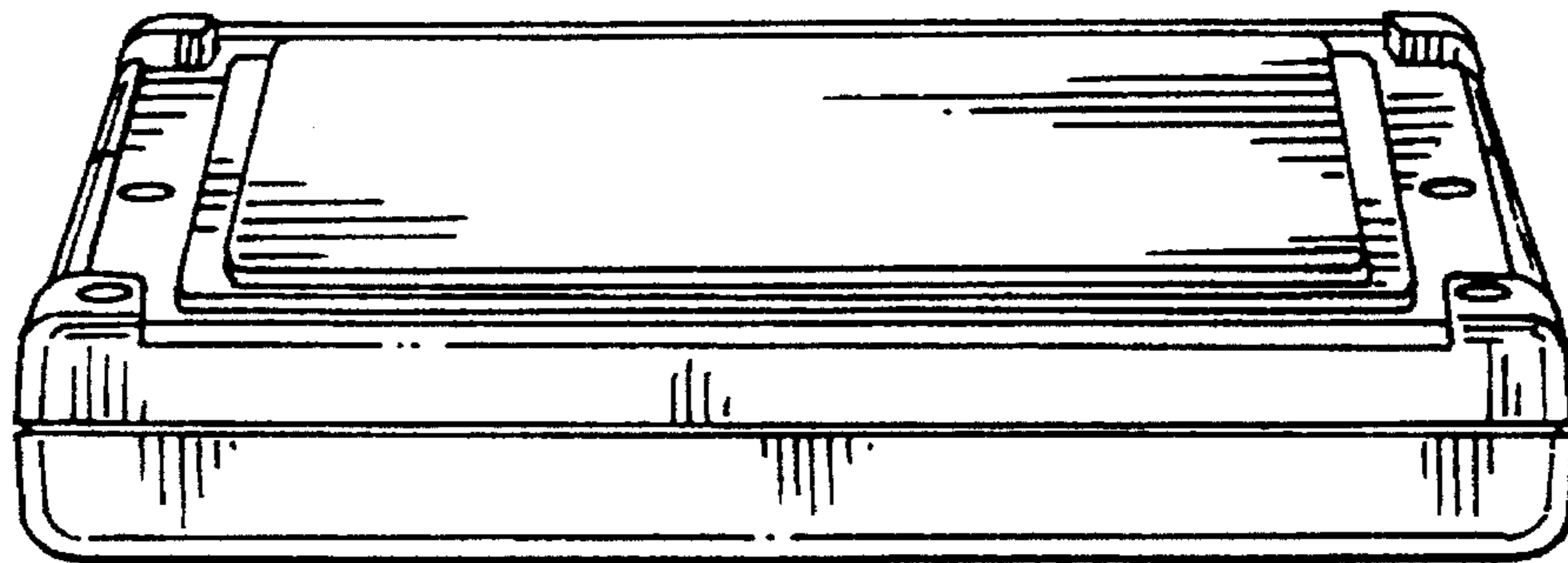


FIG. 4

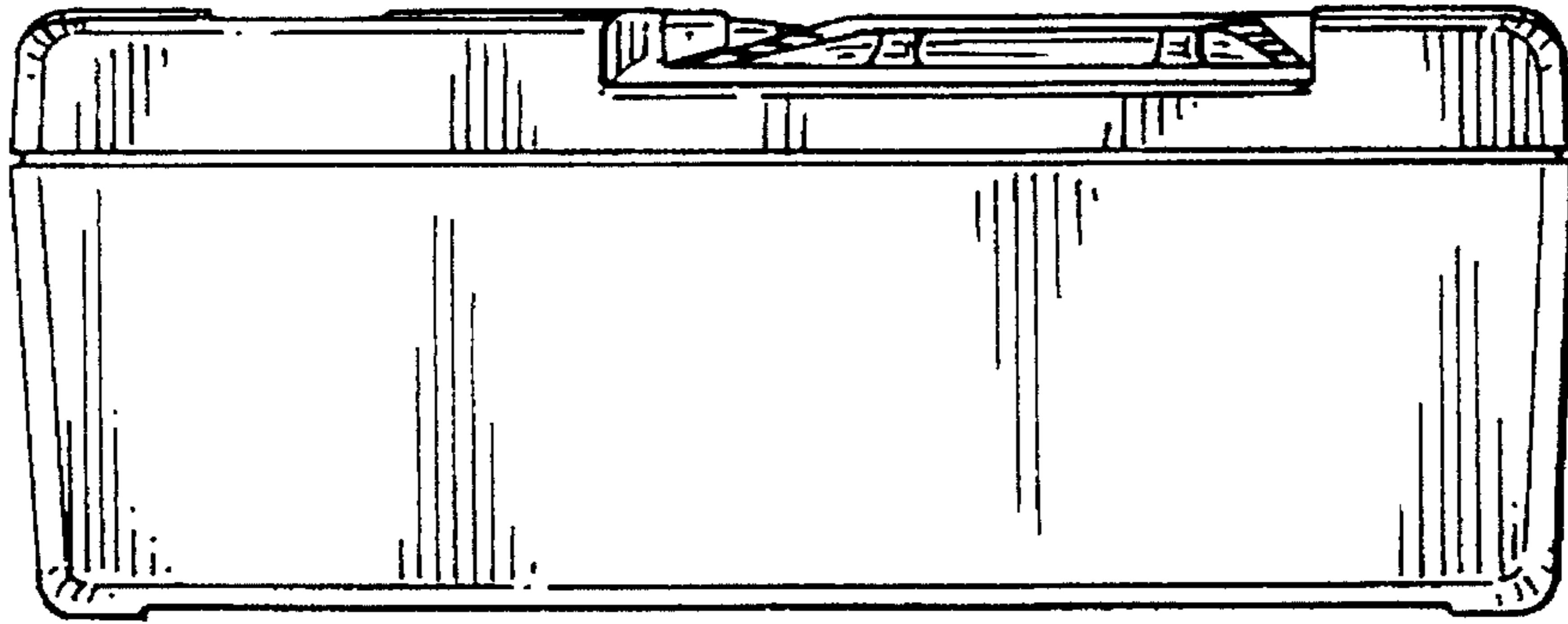


FIG. 5

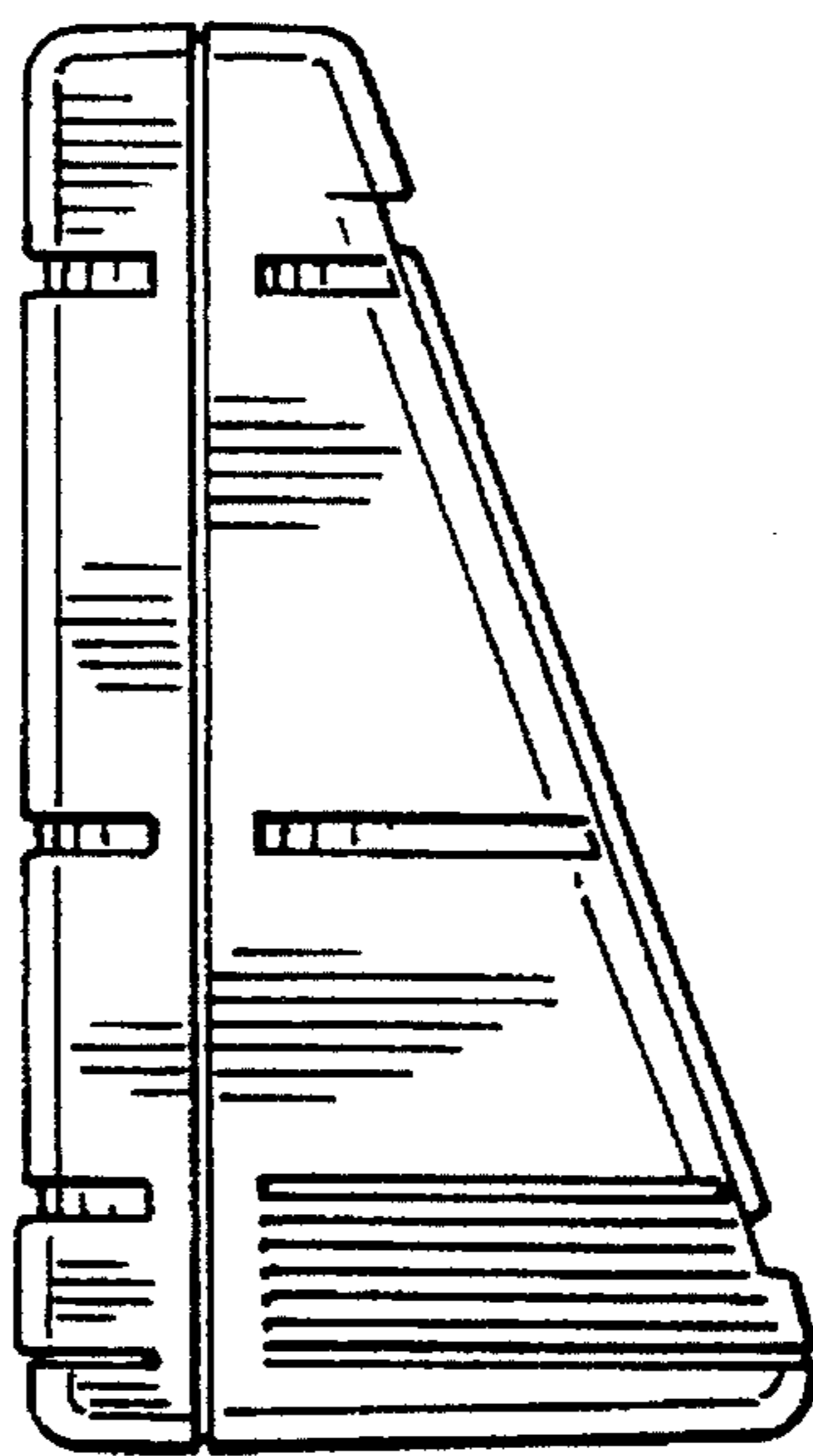


FIG. 6