



US00D370676S

United States Patent [19]
Sekita

[11] **Patent Number: Des. 370,676**

[45] **Date of Patent: **Jun. 11, 1996**

[54] **COMBINED RADIO RECEIVER AND CLOCK**

[75] Inventor: **Mie Sekita**, Tokyo, Japan

[73] Assignee: **Sony Corporation**, Tokyo, Japan

[**] Term: **14 Years**

[21] Appl. No.: **19,170**

[22] Filed: **Feb. 24, 1994**

[52] U.S. Cl. **D14/171; D14/193; D14/194; D14/195; D14/197; D14/198**

[58] **Field of Search** **D10/2, 15; D14/168, D14/170-171, 188-198; D21/111-113, 126; 312/7.1; 455/334-347, 350-351**

[56] **References Cited**

U.S. PATENT DOCUMENTS

- D. 310,835 9/1990 Grimes D14/168 X
- D. 347,429 5/1994 Kanatani et al. D14/163
- D. 348,461 7/1994 Peersmann D14/168 X
- D. 350,750 9/1994 Oki et al. D14/165

OTHER PUBLICATIONS

Video Review, Dec. 1986, p. 69, Magnavox's D8007 "Roller Radio", stereo AM/FM radio cassette recorder.

Primary Examiner—Prabhakar G. Deshmukh

Assistant Examiner—Nanda Bondade

Attorney, Agent, or Firm—Beveridge, DeGrandi, Weilacher & Young

[57] **CLAIM**

The ornamental design for a combined radio receiver and clock, as shown and described.

DESCRIPTION

FIG. 1 is a perspective view of a combined radio receiver and clock showing my new design;

FIG. 2 is a perspective view thereof, in an open position;

FIG. 3 is a front elevational view thereof;

FIG. 4 is a front elevational view thereof, in the operating condition;

FIG. 5 is a top plan view thereof;

FIG. 6 is a left side elevational view thereof;

FIG. 7 is a right side elevational view thereof;

FIG. 8 is a bottom plan view thereof; and,

FIG. 9 is a rear elevational view thereof.

1 Claim, 3 Drawing Sheets

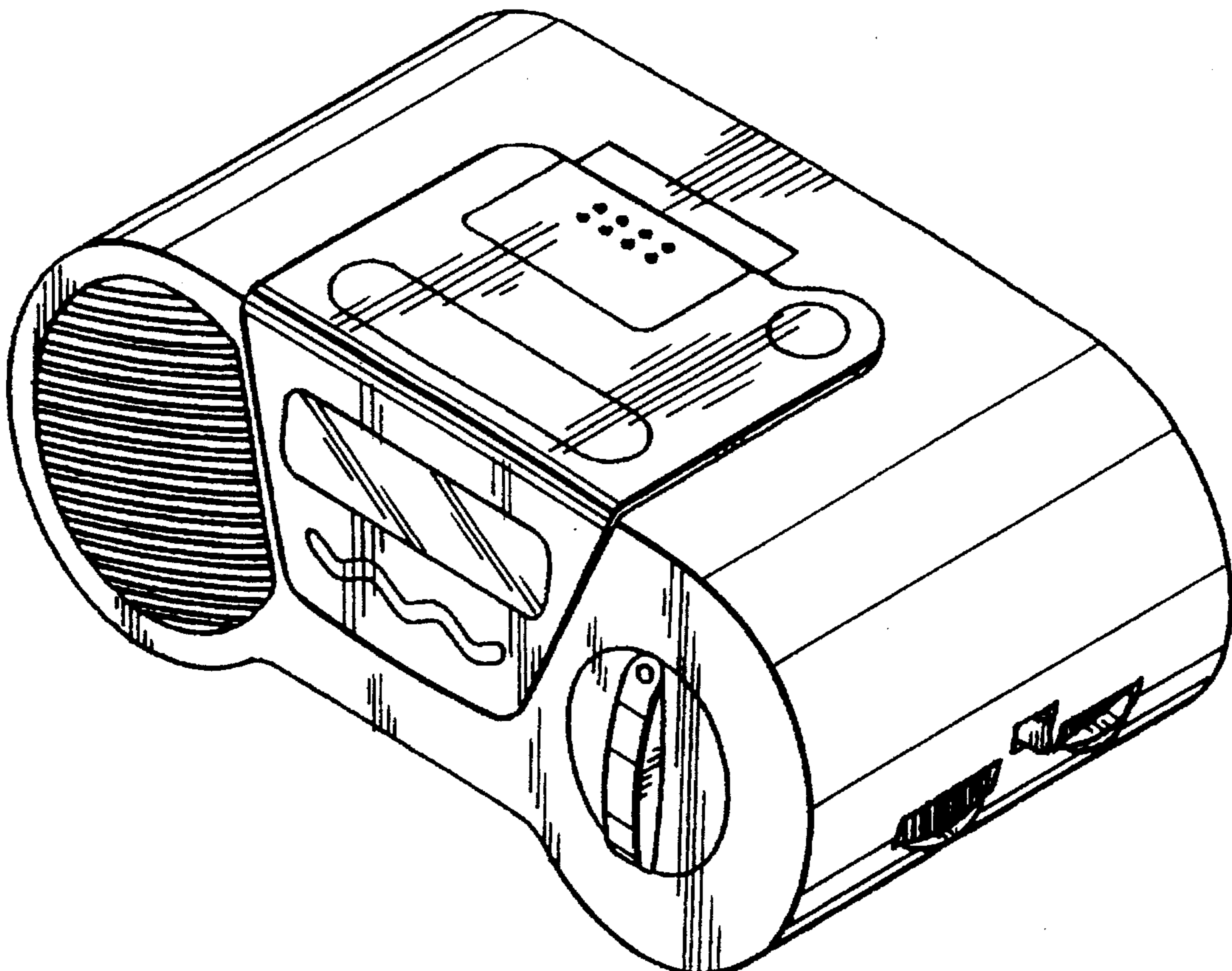


Fig. 1

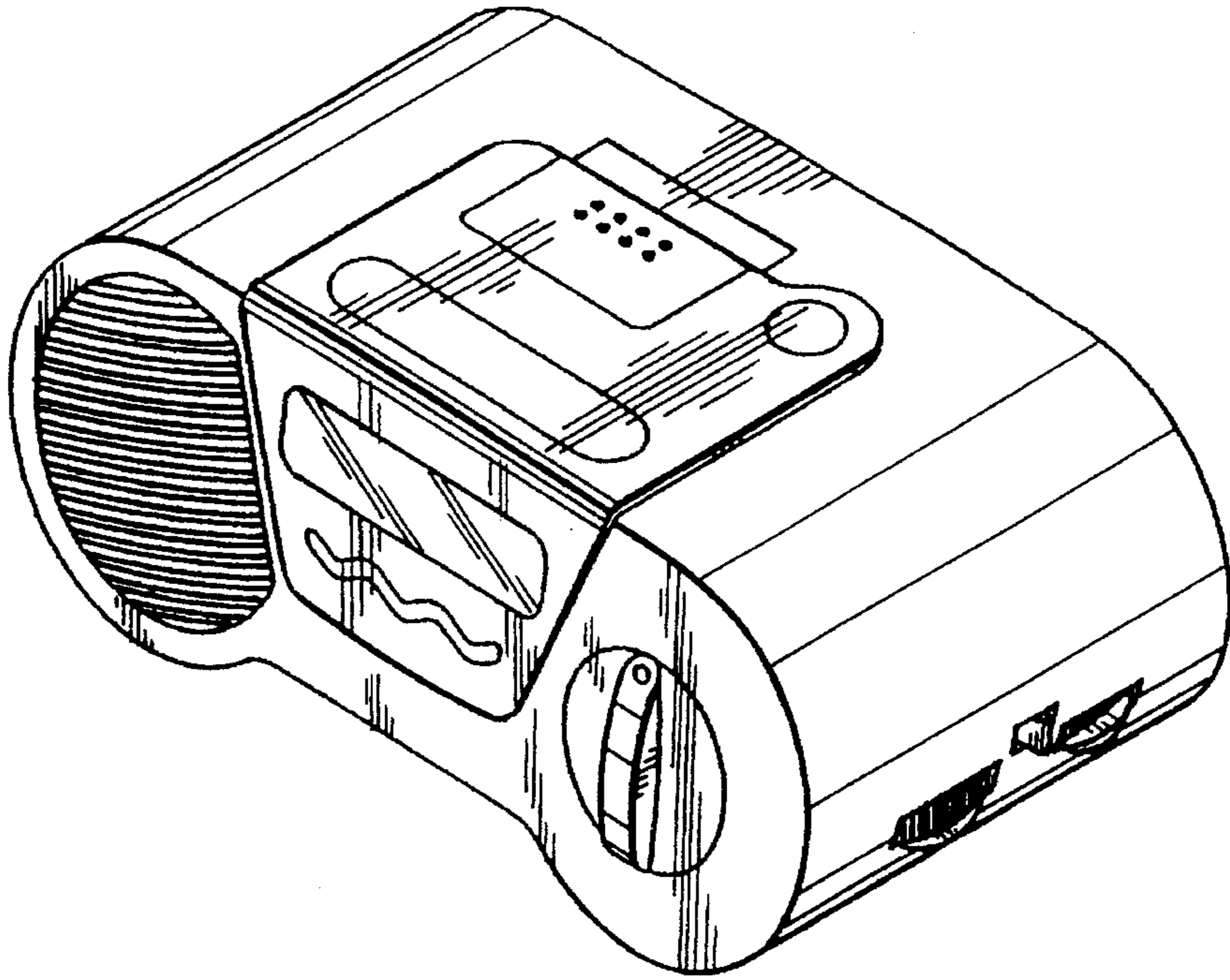


Fig. 2

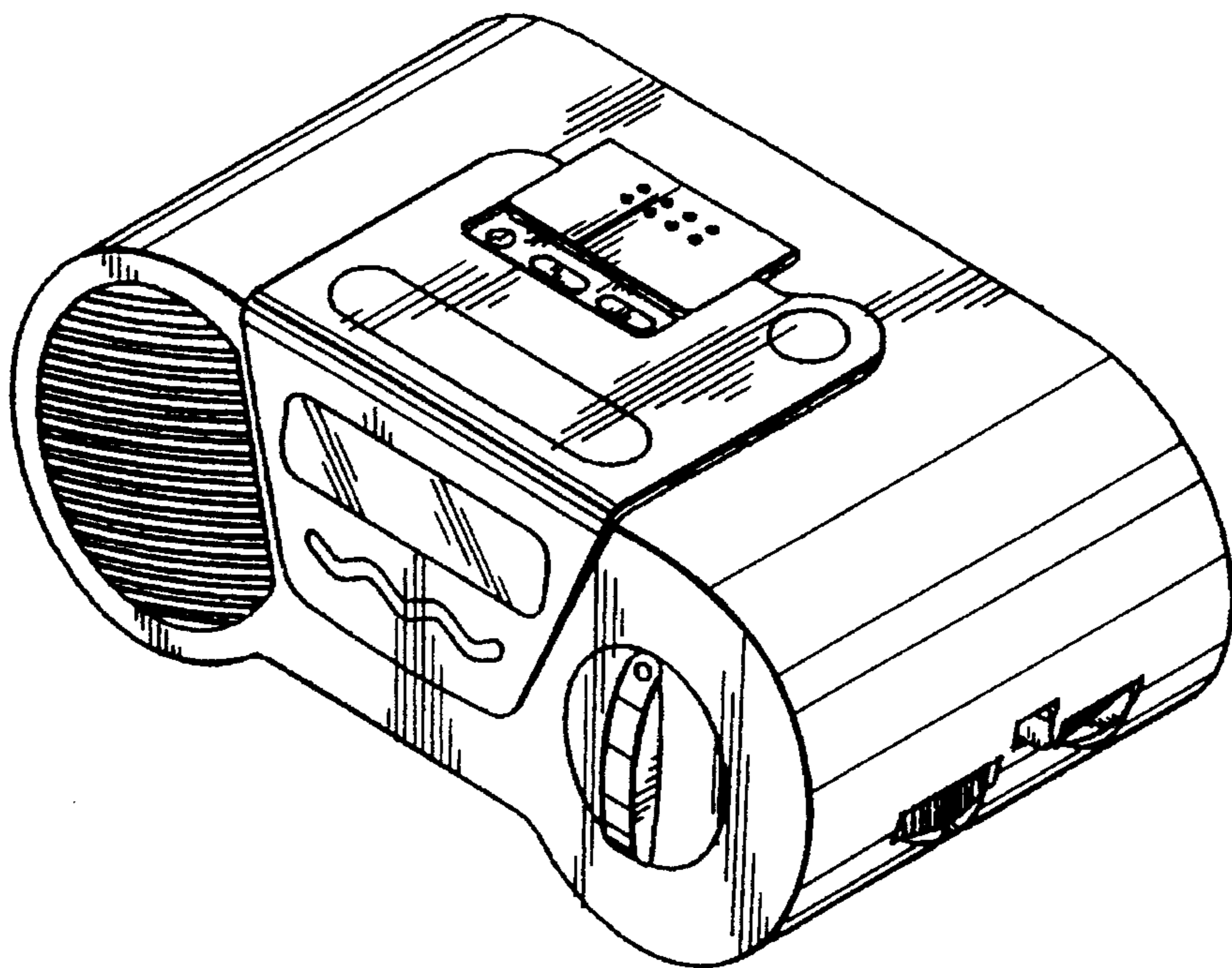


Fig. 3

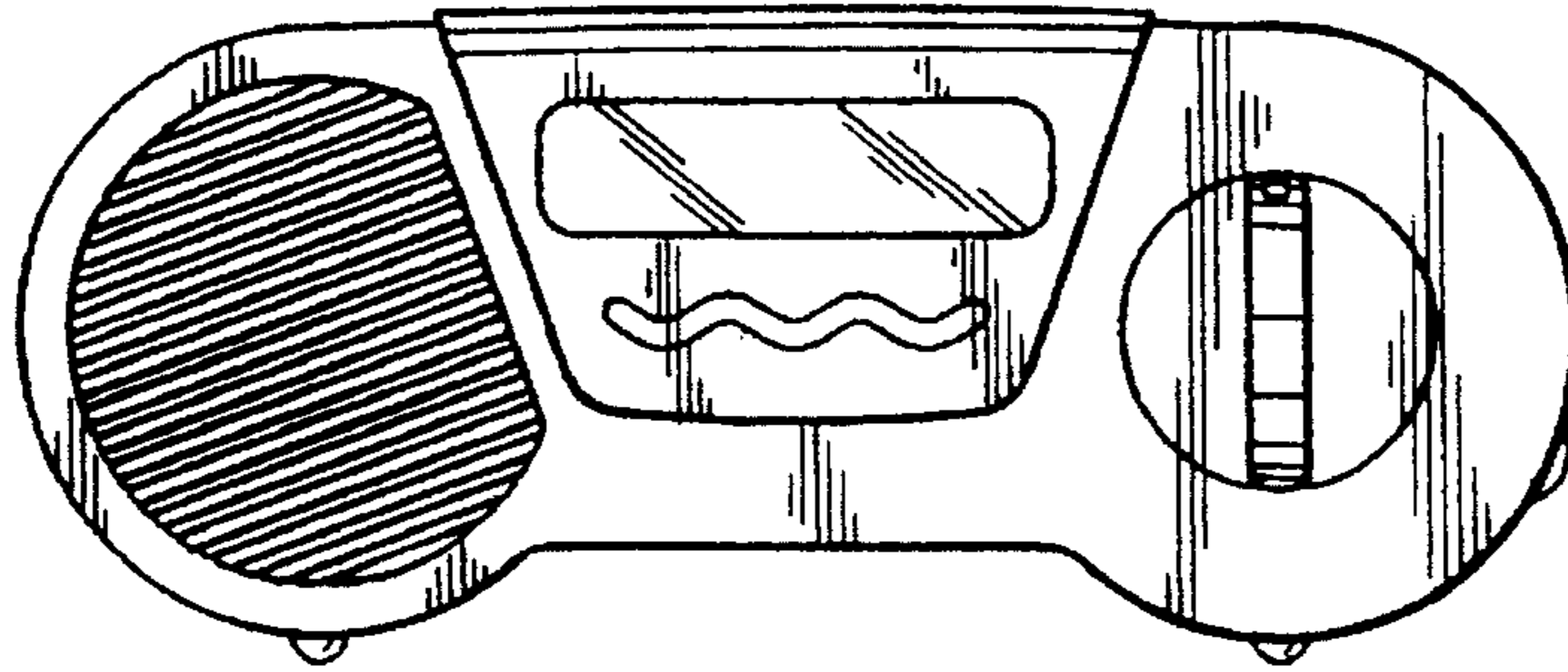


Fig. 4

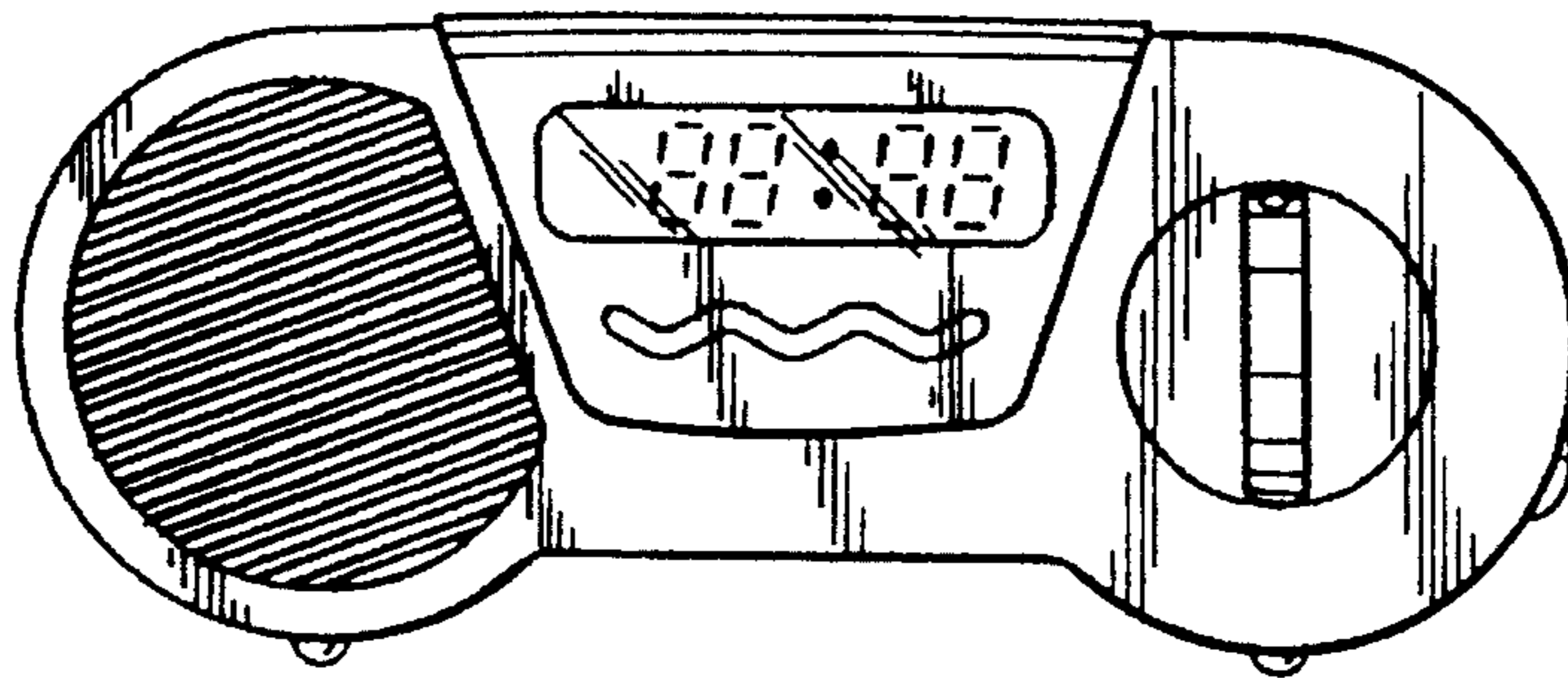


Fig. 5

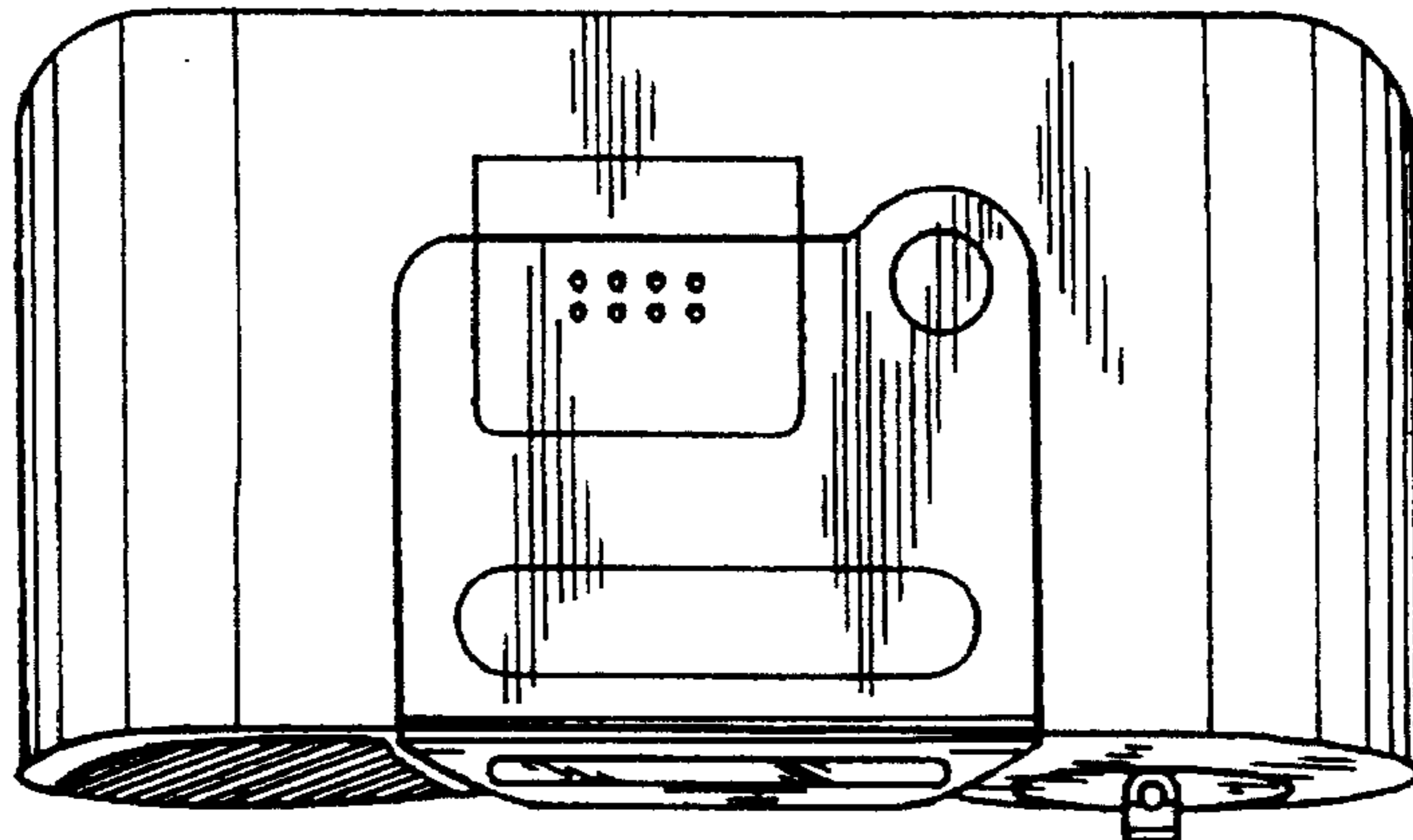


Fig. 6

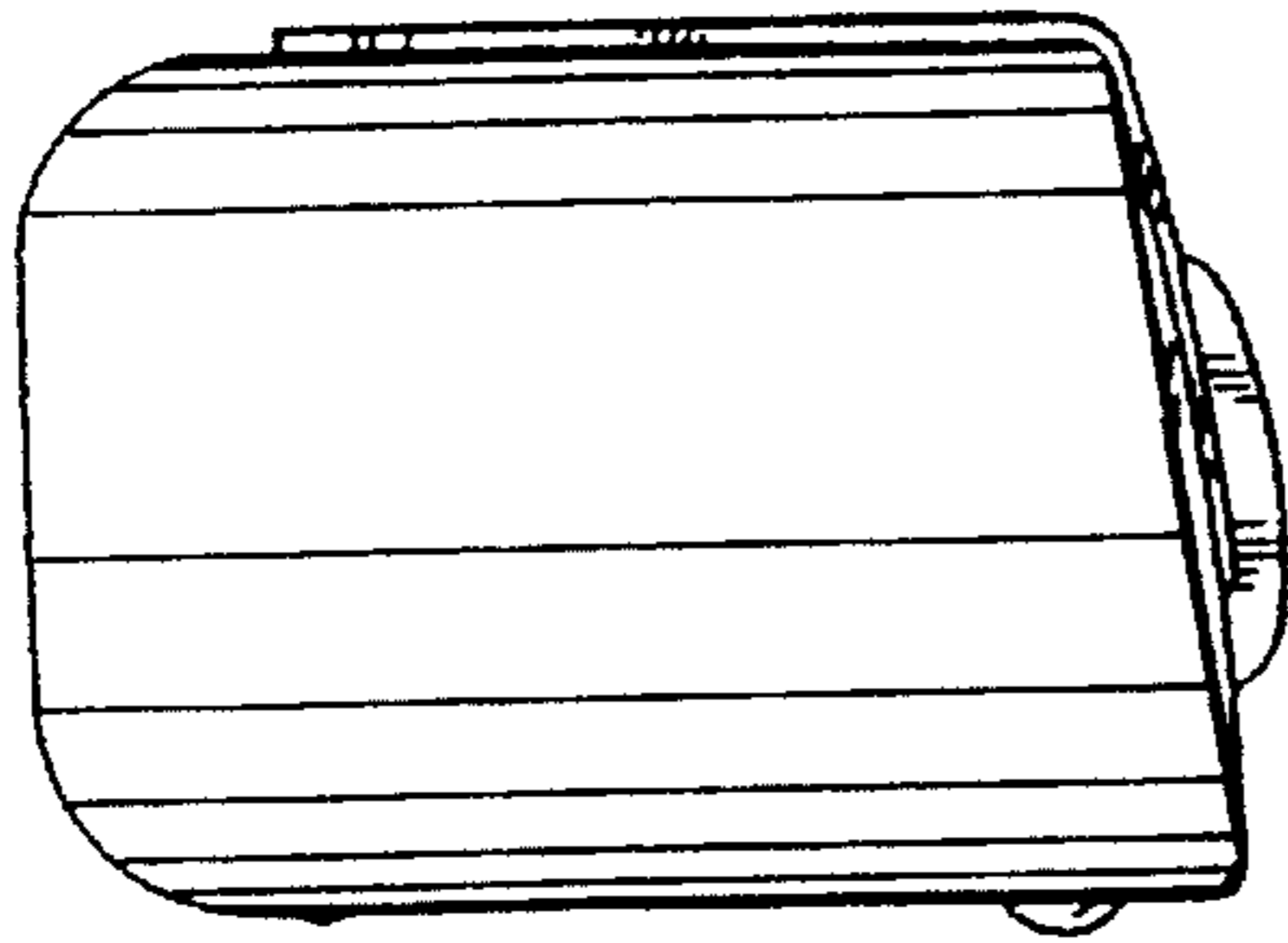


Fig. 7

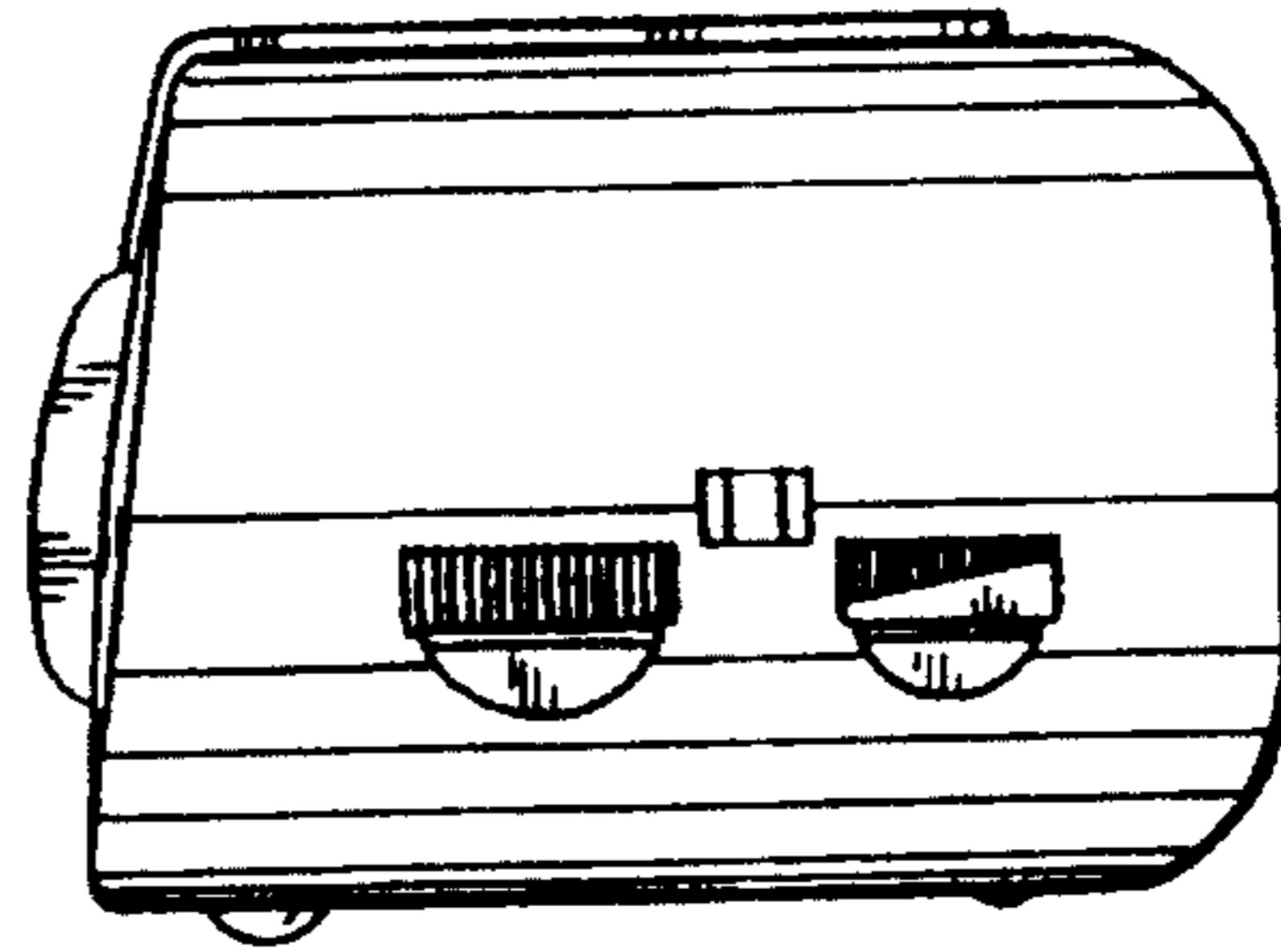


Fig. 8

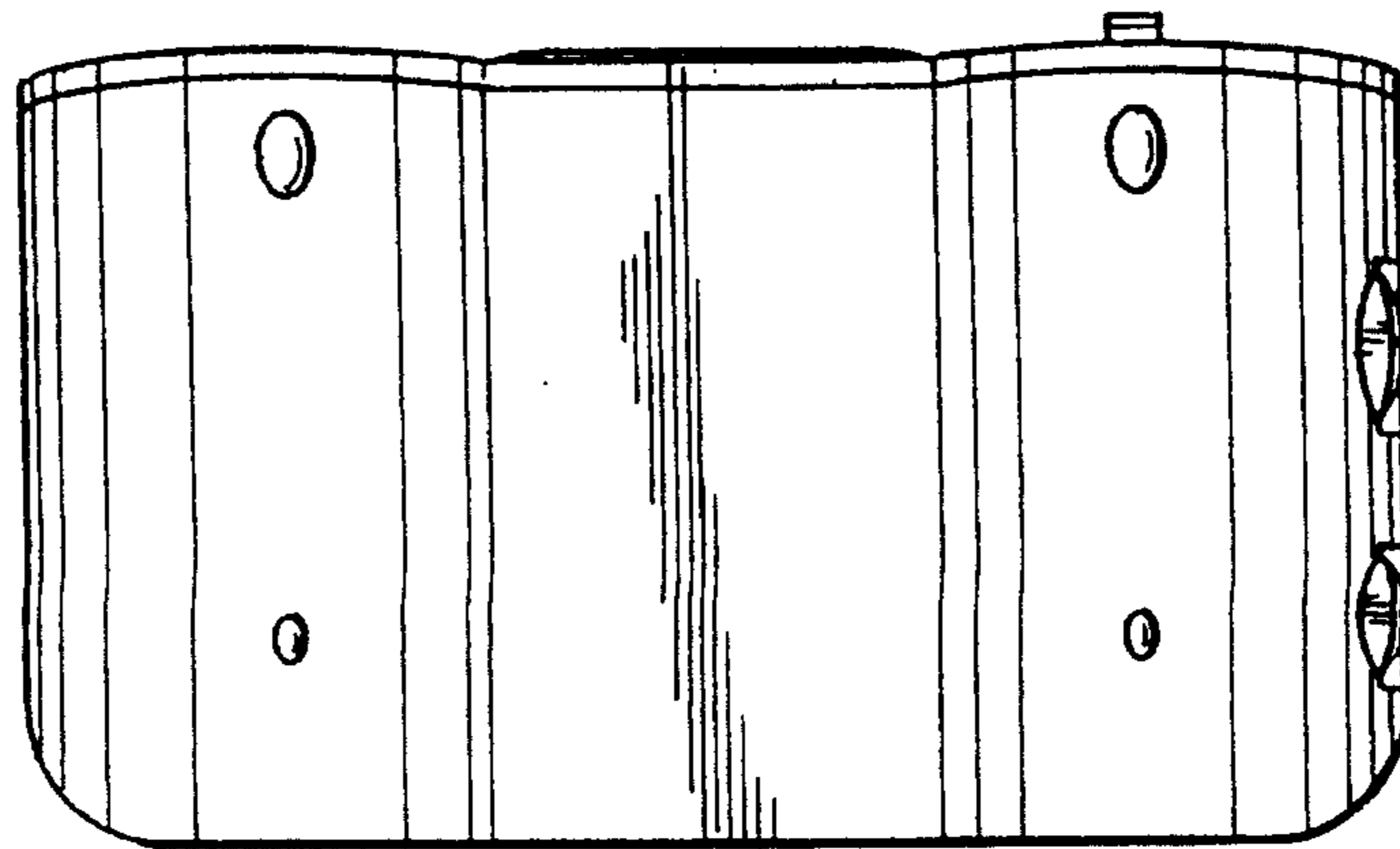


Fig. 9

