



US00D370675S

United States Patent [19]

Kirk, III et al.

[11] Patent Number: **Des. 370,675**

[45] Date of Patent: ****Jun. 11, 1996**

[54] **COMBINED PORTABLE RADIO, CASSETTE AND COMPACT DISC PLAYER**

D. 314,666	2/1991	Lanius	D3/905 X
4,064,374	12/1977	Sato	455/344
4,279,342	7/1981	Van Pelt	455/351 X

[76] Inventors: **Karl D. Kirk, III**, 30 Bond St., #5, New York, N.Y. 10012; **Paul Lacotta**, 244 Kinderkamack Rd., Oradell, N.J. 07649

Primary Examiner—Terry A. Wallace
Assistant Examiner—Nanda Bondade

[**] Term: **14 Years**

[57] **CLAIM**

The ornamental design for a combined portable radio, cassette and compact disc player, as shown and described.

[21] Appl. No.: **18,930**

DESCRIPTION

[22] Filed: **Feb. 18, 1994**

[52] U.S. Cl. **D14/168; D3/905; D3/291**

[58] Field of Search D3/905, 282, 291; D14/156, 160-168, 188-190, 193-196, 260, 265, 299; 455/344, 347, 350, 351

FIG. 1 is a front elevational view of a combined portable radio, cassette and compact disc player showing my new design;

FIG. 2 is a top plan view thereof;

FIG. 3 is a left side view thereof, the right side view being a mirror image;

FIG. 4 is a rear view thereof; and,

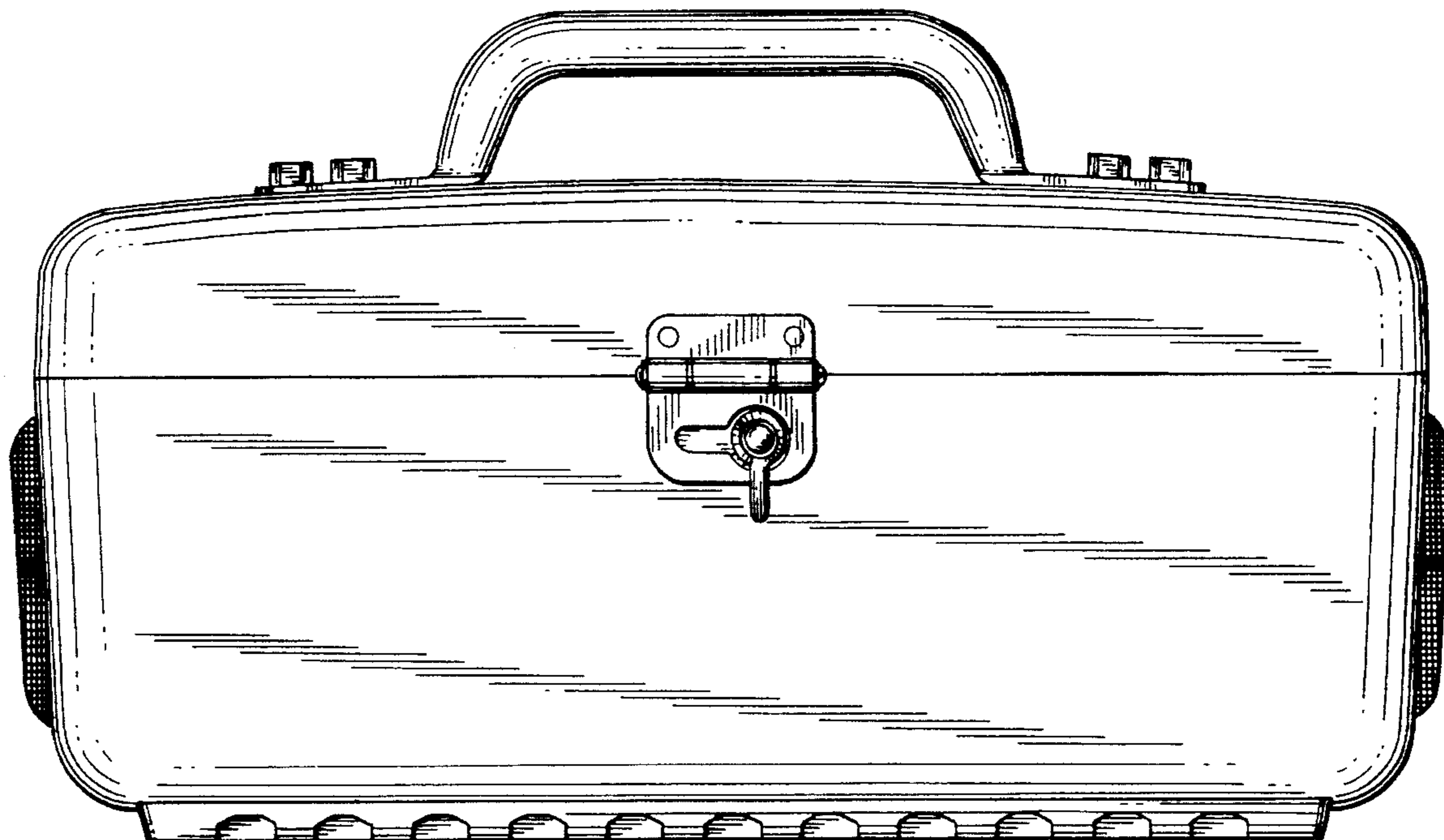
FIG. 5 is a bottom view thereof.

[56] **References Cited**

U.S. PATENT DOCUMENTS

D. 243,860 3/1977 Simpson, Jr. D14/165

1 Claim, 5 Drawing Sheets



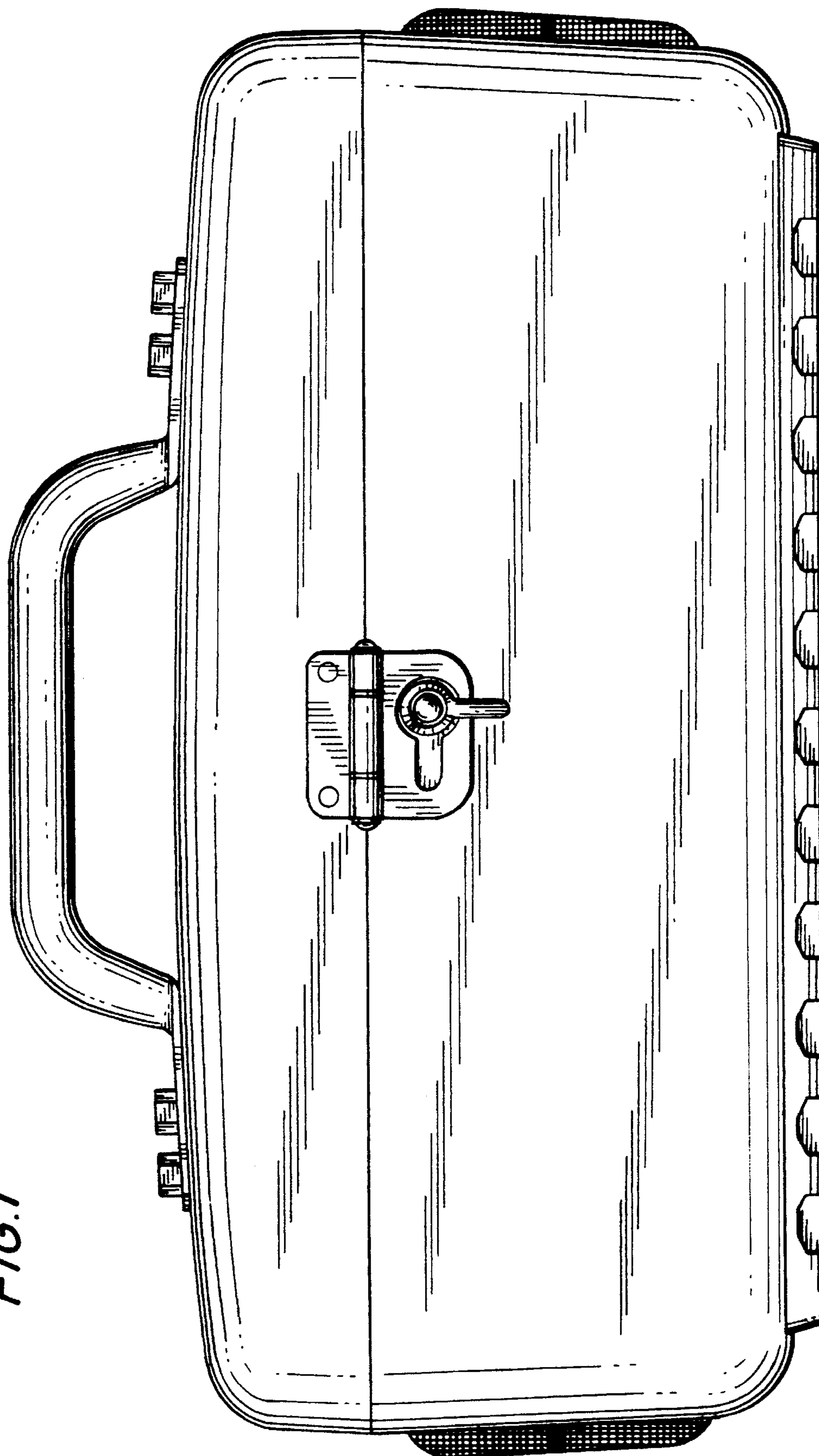


FIG. 1

FIG. 2

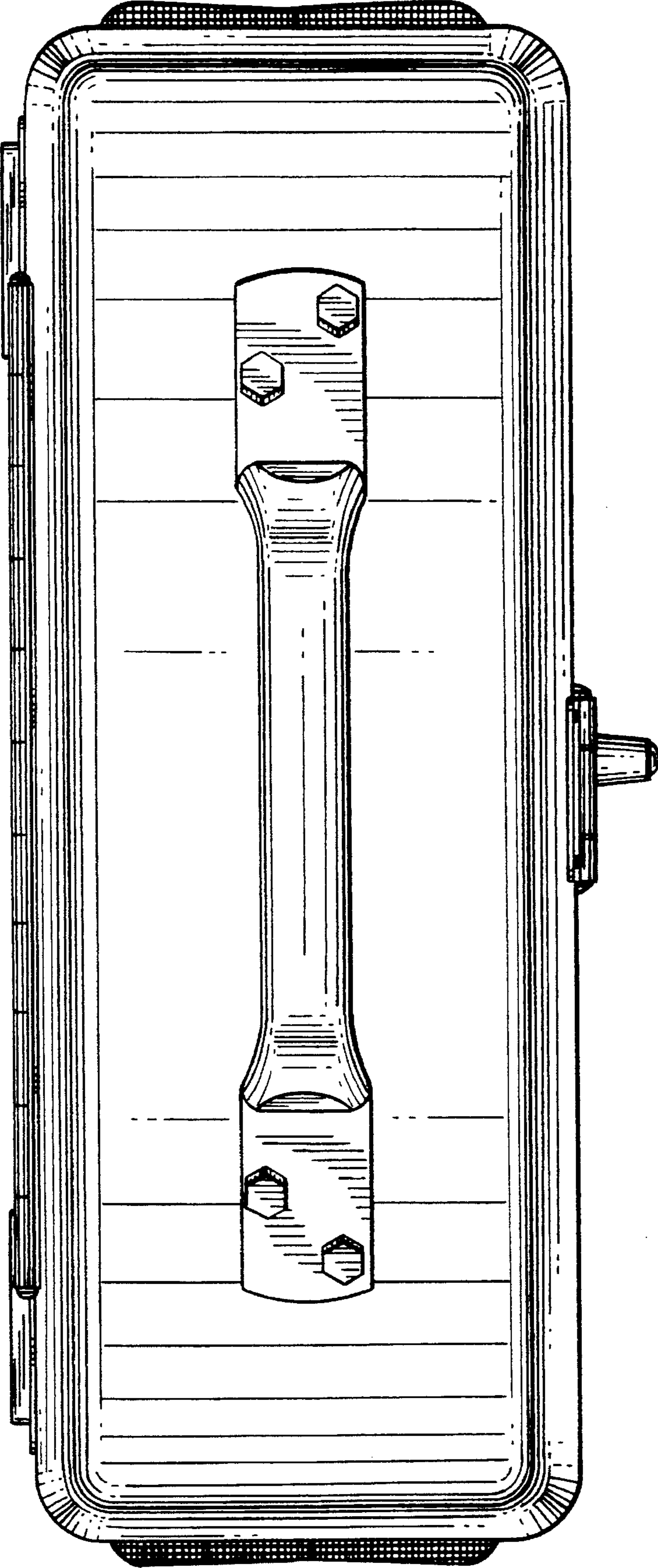
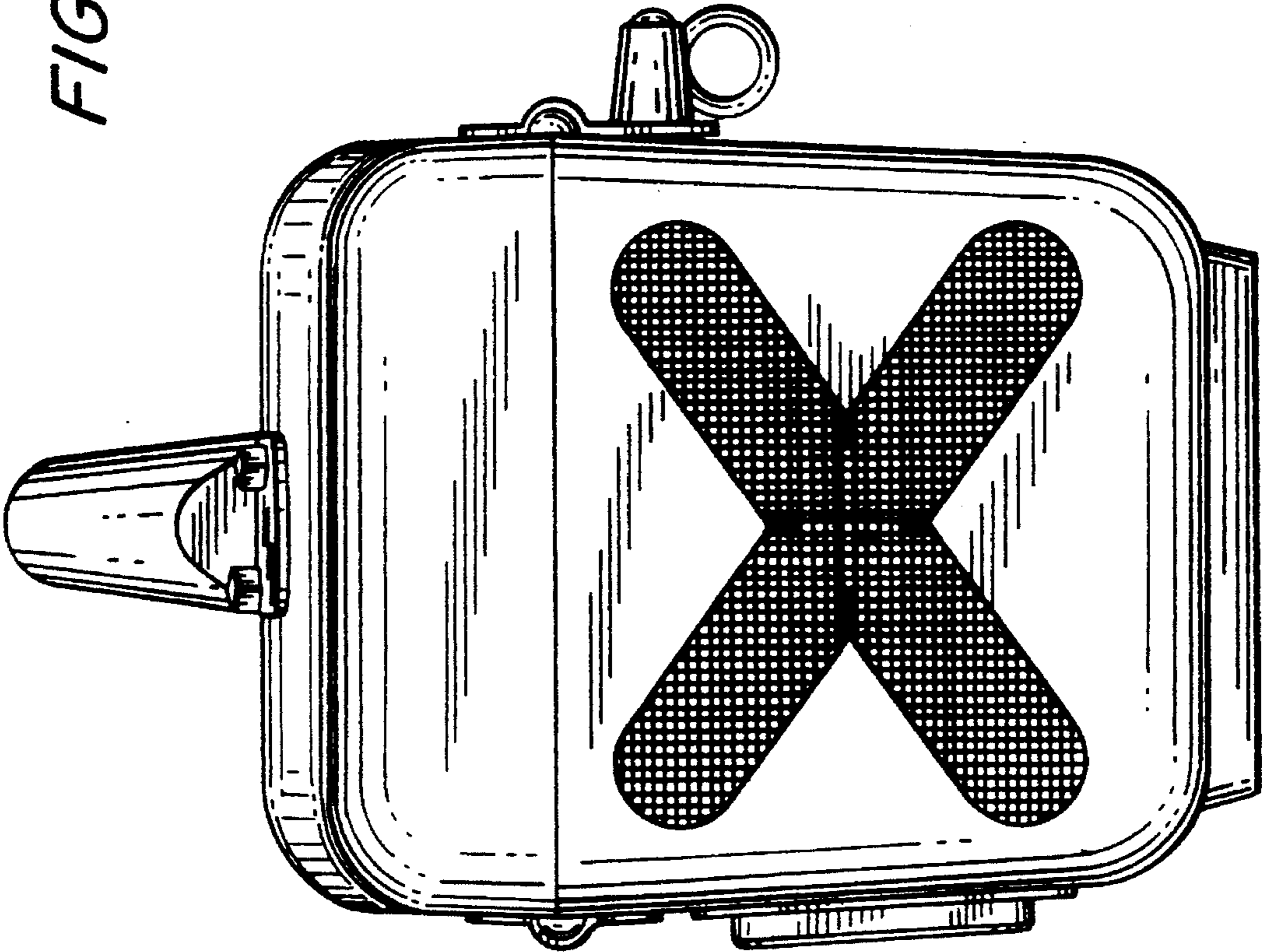


FIG. 3



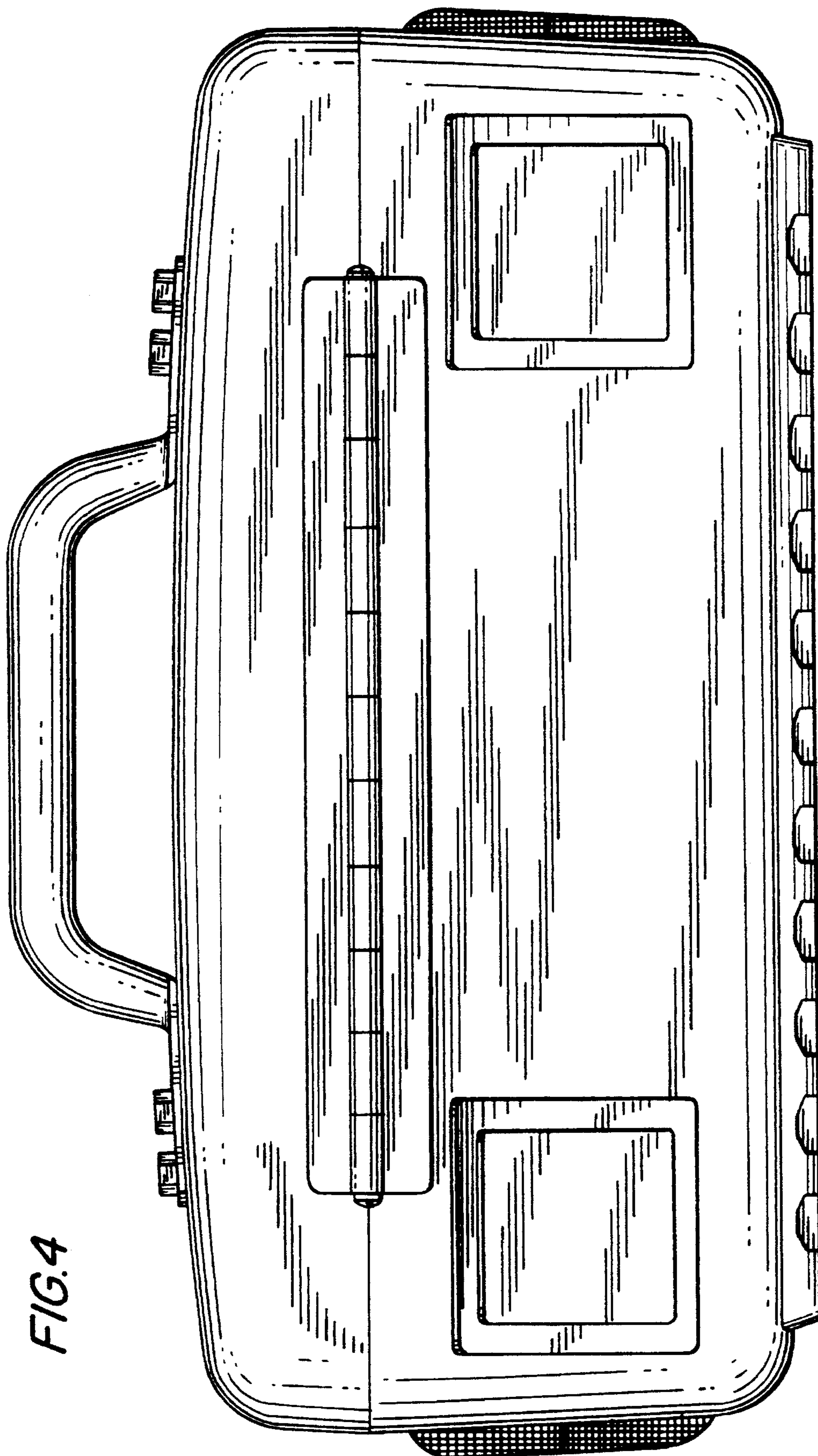


FIG. 4

FIG. 5

