



US00D370668S

# United States Patent [19] Hirose

[11] Patent Number: **Des. 370,668**

[45] Date of Patent: **\*\*\* Jun. 11, 1996**

[54] **DISC DRIVE**

4,661,869 4/1987 Takeda et al. .... 360/97

[75] Inventor: **Yoshio Hirose**, Urawa, Japan

[73] Assignee: **Teac Corporation**, Tokyo, Japan

[\*] Notice: The portion of the term of this patent subsequent to Mar. 6, 2005, has been disclaimed.

[\*\*] Term: **14 Years**

[21] Appl. No.: **648,392**

[22] Filed: **Jan. 30, 1991**

[30] **Foreign Application Priority Data**

Jul. 31, 1990 [JP] Japan ..... 2-26070

[52] **U.S. Cl.** ..... **D14/109**

[58] **Field of Search** ..... D14/100, 102, D14/108, 109; D13/162, 184, 199; D6/422-428; 312/138.1, 208.1; 360/99.12; 361/390-395

[56] **References Cited**

### U.S. PATENT DOCUMENTS

- D. 297,537 9/1988 Noda et al. .... D14/109
- D. 308,966 7/1990 Alfonso et al. .... D14/109
- D. 309,448 7/1990 Aderman et al. .... D14/109
- D. 311,175 10/1990 Lin ..... D14/109
- D. 325,194 4/1992 Kline et al. .... D14/100

### OTHER PUBLICATIONS

PC Magazine. Dec. 12, 1989, p. 157. SYSGEN Disc Drive. Heathkit—Mar. 29, 1987, p. 100—Laserdrive by Amdek. PC Magazine vol. 9 No. 7 Apr. 10, 1990 p. 71 Sun Moon Star disk drive model 386SX. An article from the Jan. 1991 issue of Asian Sources Computer Products.

*Primary Examiner*—Freda Nunn  
*Attorney, Agent, or Firm*—Michael N. Meller

### [57] CLAIM

The ornamental design for a disc drive, as shown and described.

### DESCRIPTION

FIG. 1 is a plan view of a disc drive showing my new design; FIG. 2 is a front view thereof; FIG. 3 is a bottom view thereof; FIG. 4 is a rear view thereof; FIG. 5 is a left side view thereof; FIG. 6 is a right side view thereof; FIG. 7 is a partial sectional view taken along line 7—7 of FIG. 2; and, FIG. 8 is a perspective view thereof.

**1 Claim, 4 Drawing Sheets**

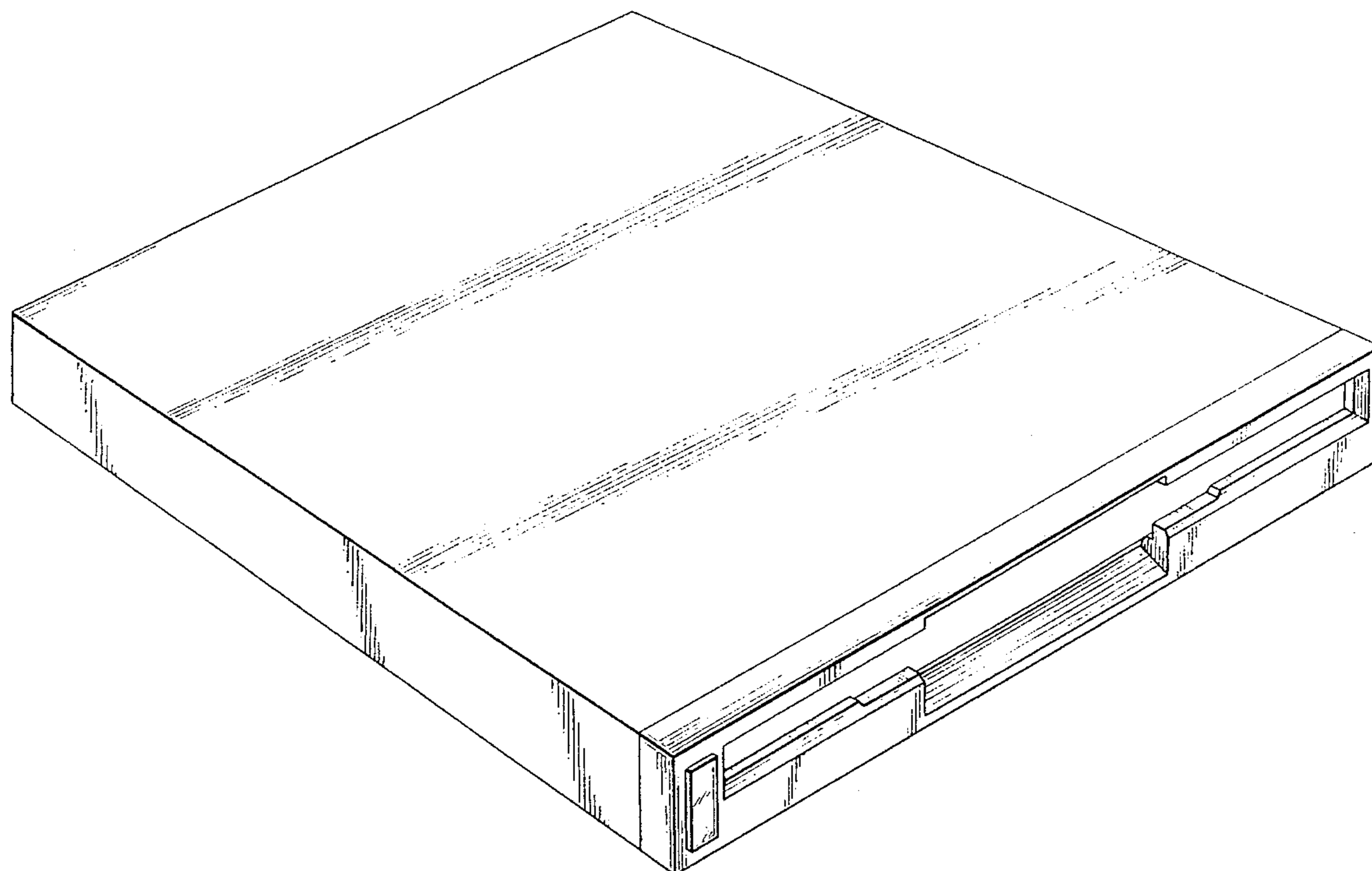


FIG. 1

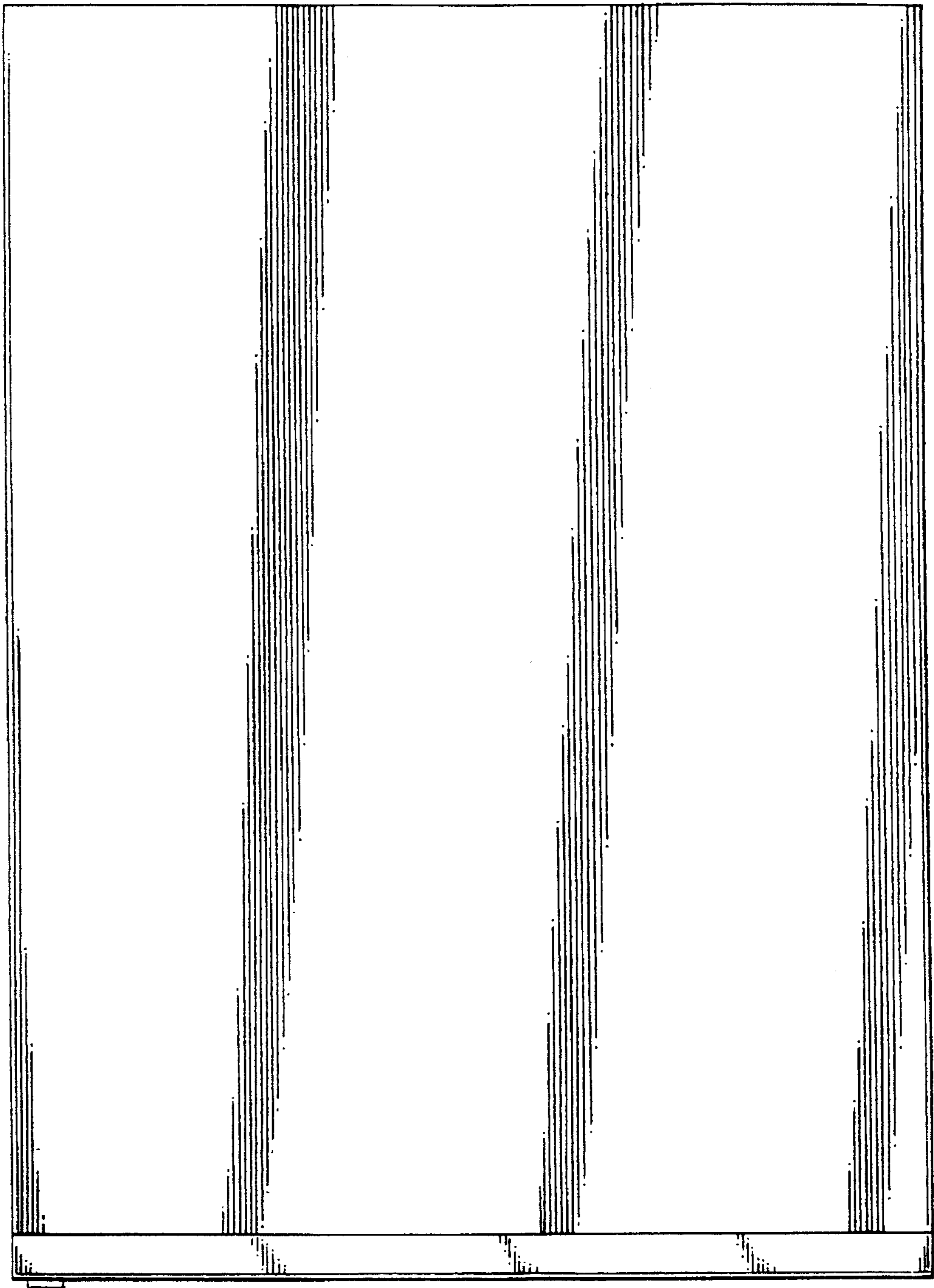


FIG. 2

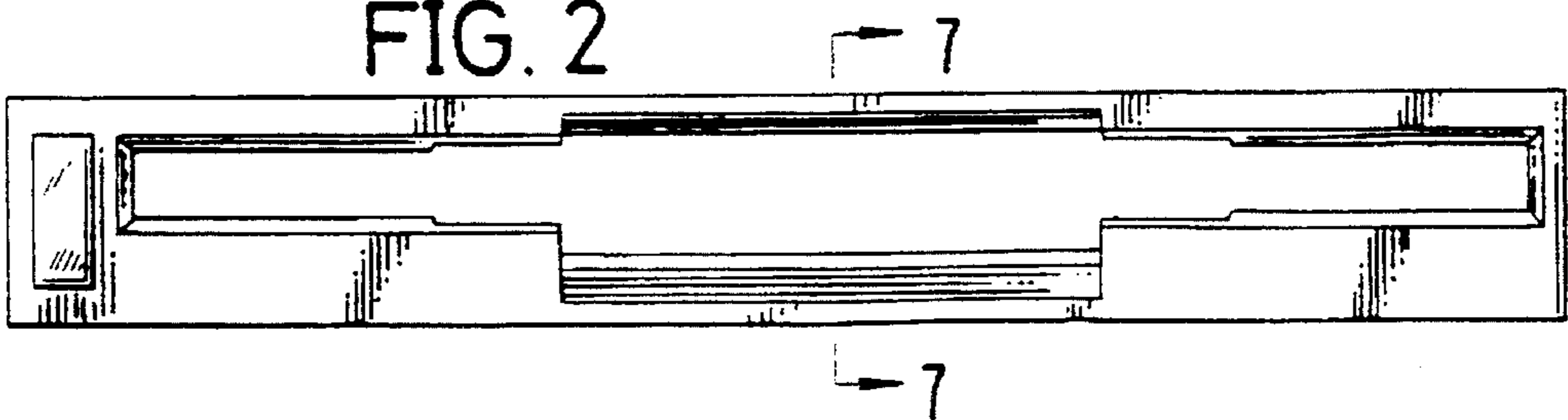


FIG. 3

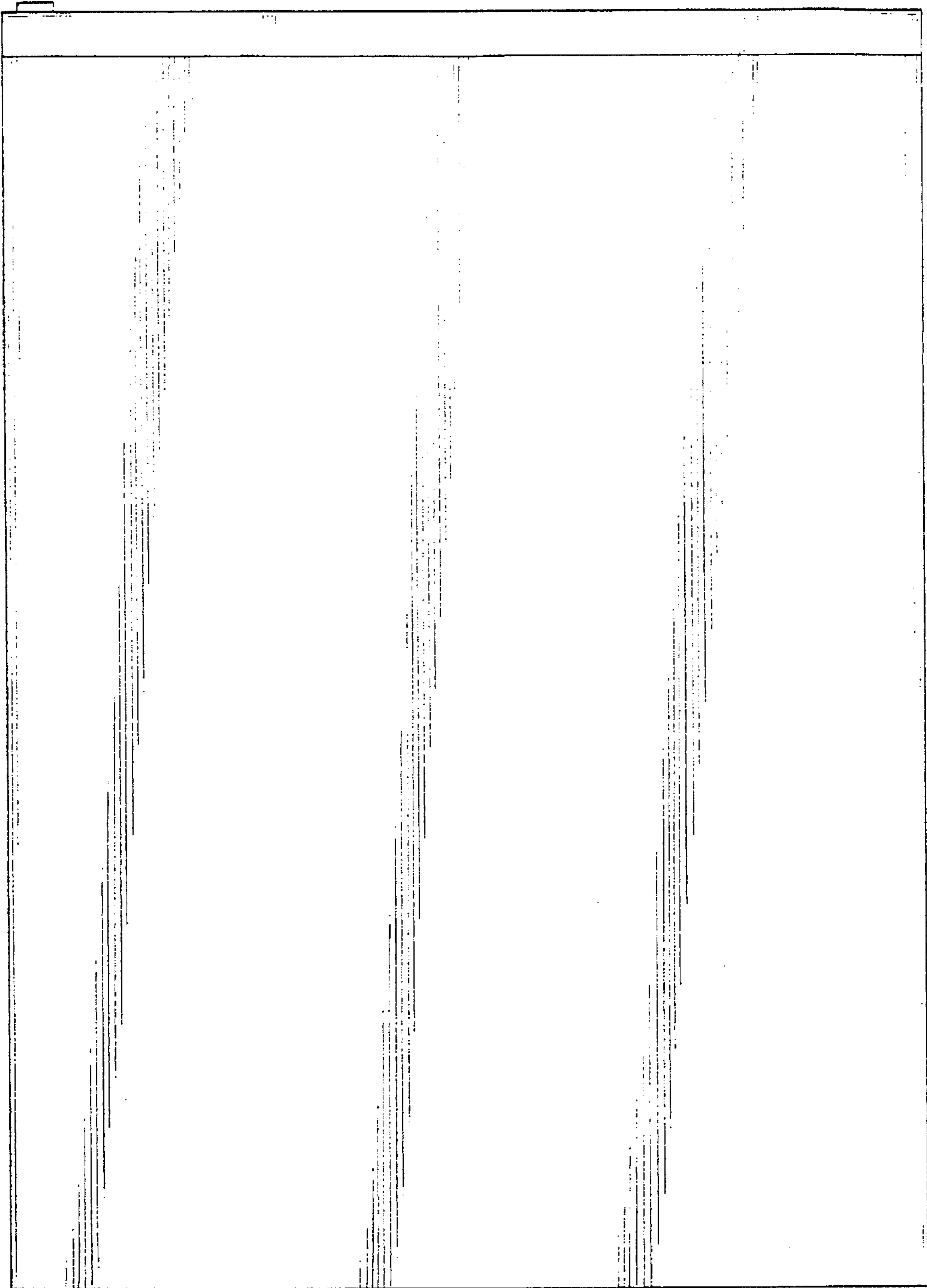


FIG. 4

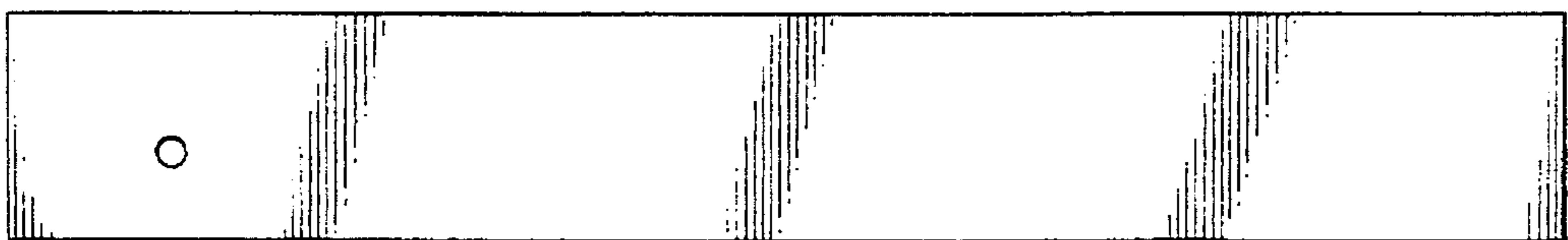


FIG. 5

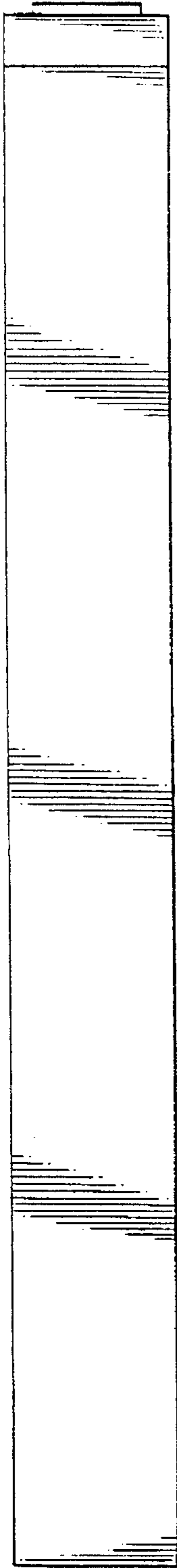


FIG. 6

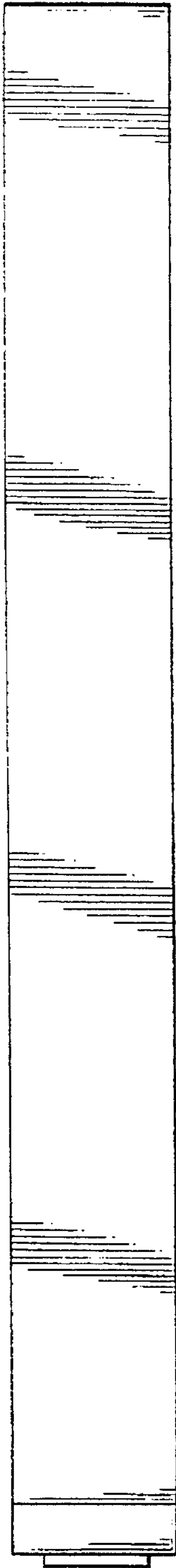
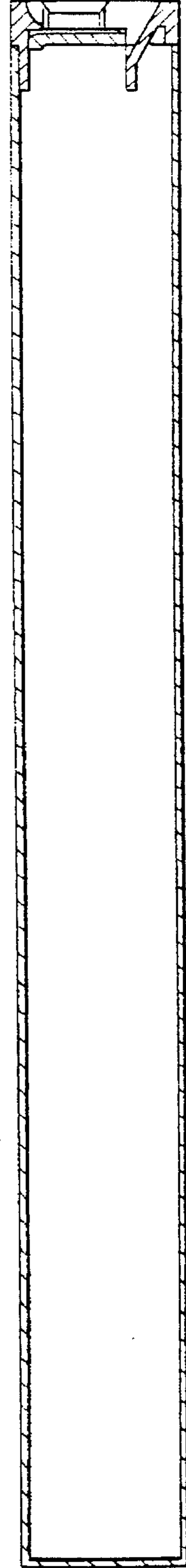


FIG. 7



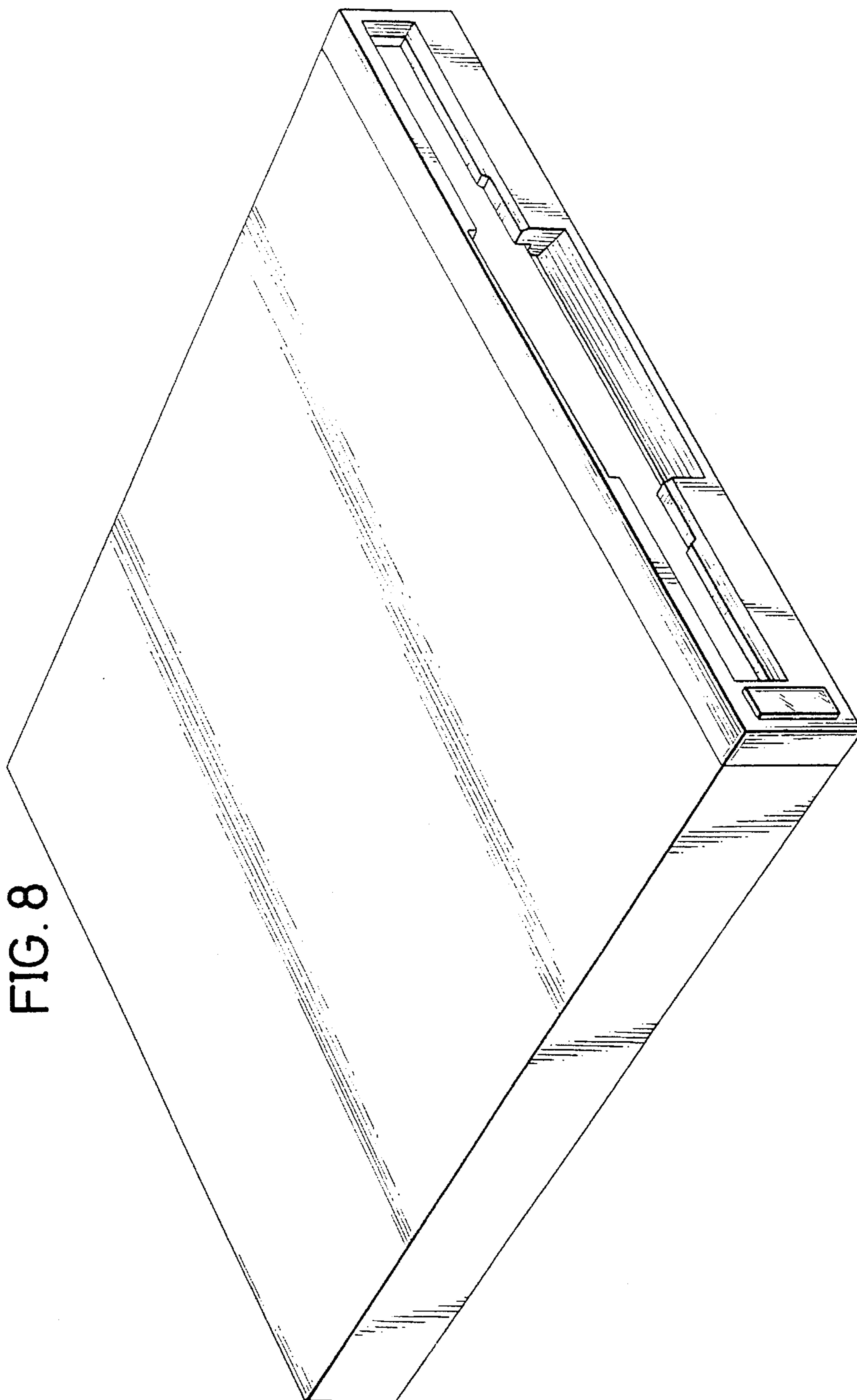


FIG. 8

UNITED STATES PATENT AND TRADEMARK OFFICE  
**CERTIFICATE OF CORRECTION**

PATENT NO. : **Des. 370,668**

DATED : **June 11, 1996**

INVENTOR(S) : **Hirose**

It is certified that error appears in the above-identified patent and that said Letters Patent is hereby corrected as shown below:

**Title page, left column: delete the Notice of disclaimer**

**Title page, right column: delete the asterisk referring to the Notice of disclaimer from the date of the patent.**

Signed and Sealed this  
First Day of October, 1996



**BRUCE LEHMAN**

*Commissioner of Patents and Trademarks*

*Attest:*

*Attesting Officer*