



US00D370666S

# United States Patent [19]

**Bovio et al.**

[11] **Patent Number: Des. 370,666**

[45] **Date of Patent: \*\*Jun. 11, 1996**

[54] **NOTEBOOK COMPUTER ENCLOSURE**

*Attorney, Agent, or Firm*—James F. Thompson

[75] Inventors: **Michele Bovio**, Boston; **Robert T. Faranda**; **Mark J. Foster**, both of Acton, all of Mass.

[57] **CLAIM**

The ornamental design for a notebook computer enclosure, as shown and described.

[73] Assignee: **Digital Equipment Corporation**, Maynard, Mass.

**DESCRIPTION**

[\*\*] Term: **14 Years**

[21] Appl. No.: **32,301**

[22] Filed: **Dec. 6, 1994**

[52] U.S. Cl. .... **D14/106**

[58] **Field of Search** ..... D14/100, 101, D14/106, 113, 124-127, 115; D18/1, 7; 235/145 A, 145 R; 345/104, 156, 168, 173, 901-905, 87; 361/679-686; 364/708.1, 709.04, 709.12

FIG. 1 is a front right side perspective view of the notebook computer enclosure with the top display panel in the closed position and the rear battery compartment in the raised position showing our new design;

FIG. 2 is a left side view thereof;

FIG. 3 is a right side view thereof;

FIG. 4 is a front view thereof;

FIG. 5 is a rear view thereof;

FIG. 6 is a top view thereof;

FIG. 7 is a bottom view thereof; and,

FIG. 8 is another front right side perspective view thereof with the top display panel in the open position and the rear battery compartment in the lowered position.

The broken lines are shown for illustrative purposes only and form no part of the claimed design.

FIGS. 6, 7 and 8 are drawn to a reduced scale.

[56] **References Cited**

**U.S. PATENT DOCUMENTS**

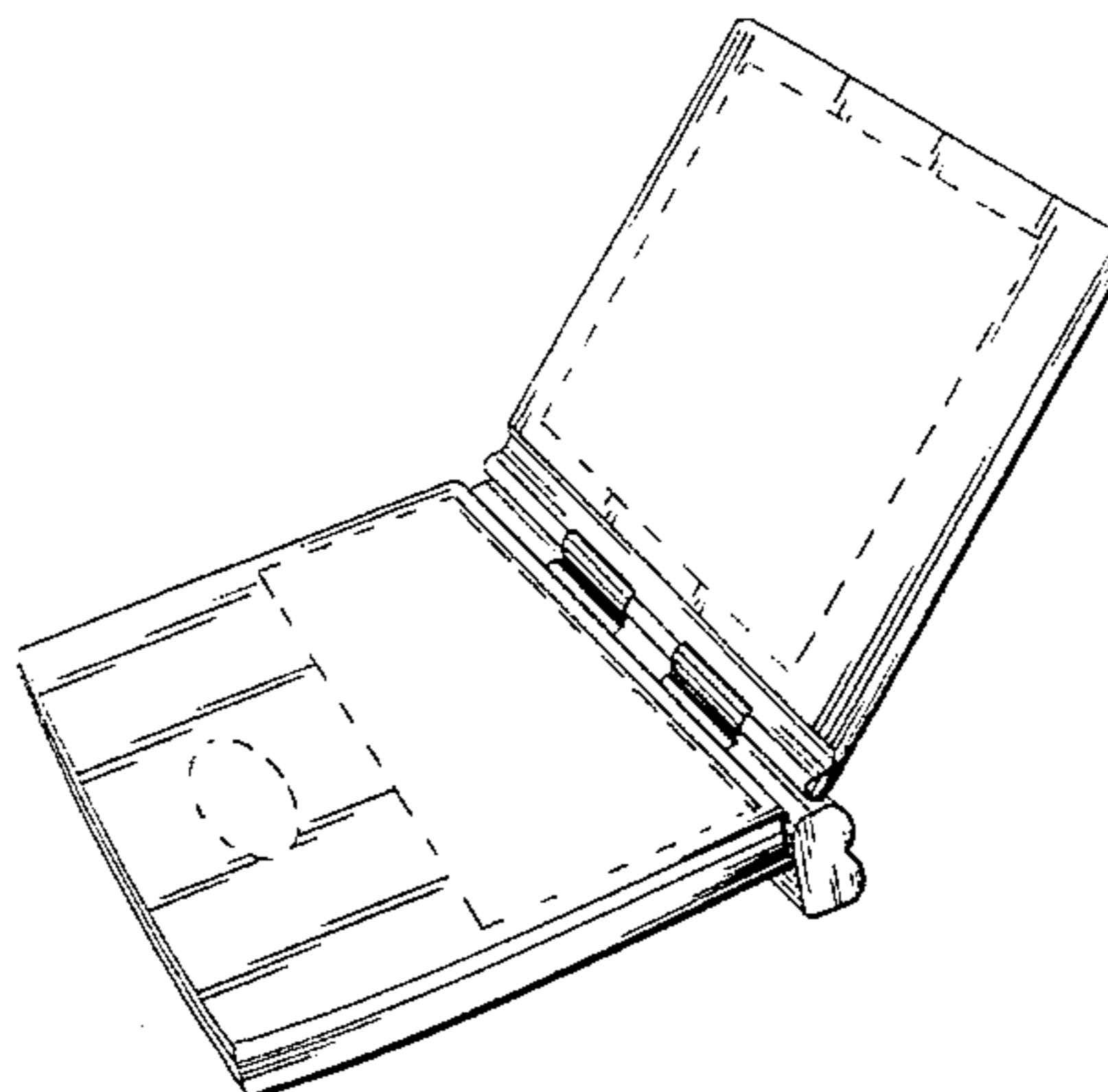
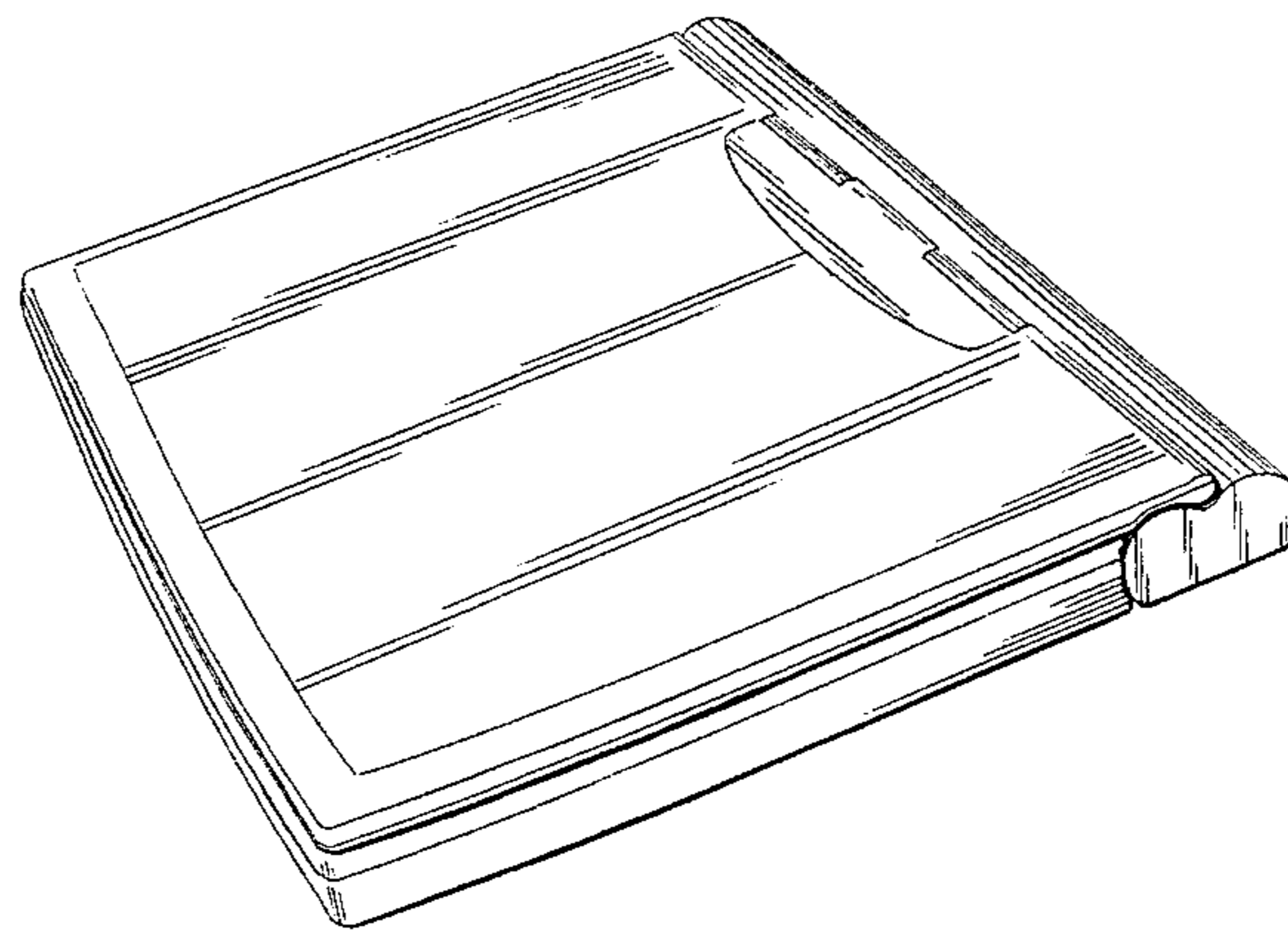
D. 332,783	1/1993	Krakower	.....	D14/106
D. 337,759	7/1993	Brunner	.....	D14/106
D. 338,456	8/1993	Brunner	.....	D14/106
D. 339,114	9/1993	Mizusugi et al.	.....	D14/106
D. 351,143	10/1994	Brunner et al.	.....	D14/106

**OTHER PUBLICATIONS**

O. G., Aug. 17, 1993, p. 2133, showing drawing of "Micro-computer Keyboard", U.S. Design Pat. No. 338,459.

*Primary Examiner*—Freda Nunn

**1 Claim, 5 Drawing Sheets**



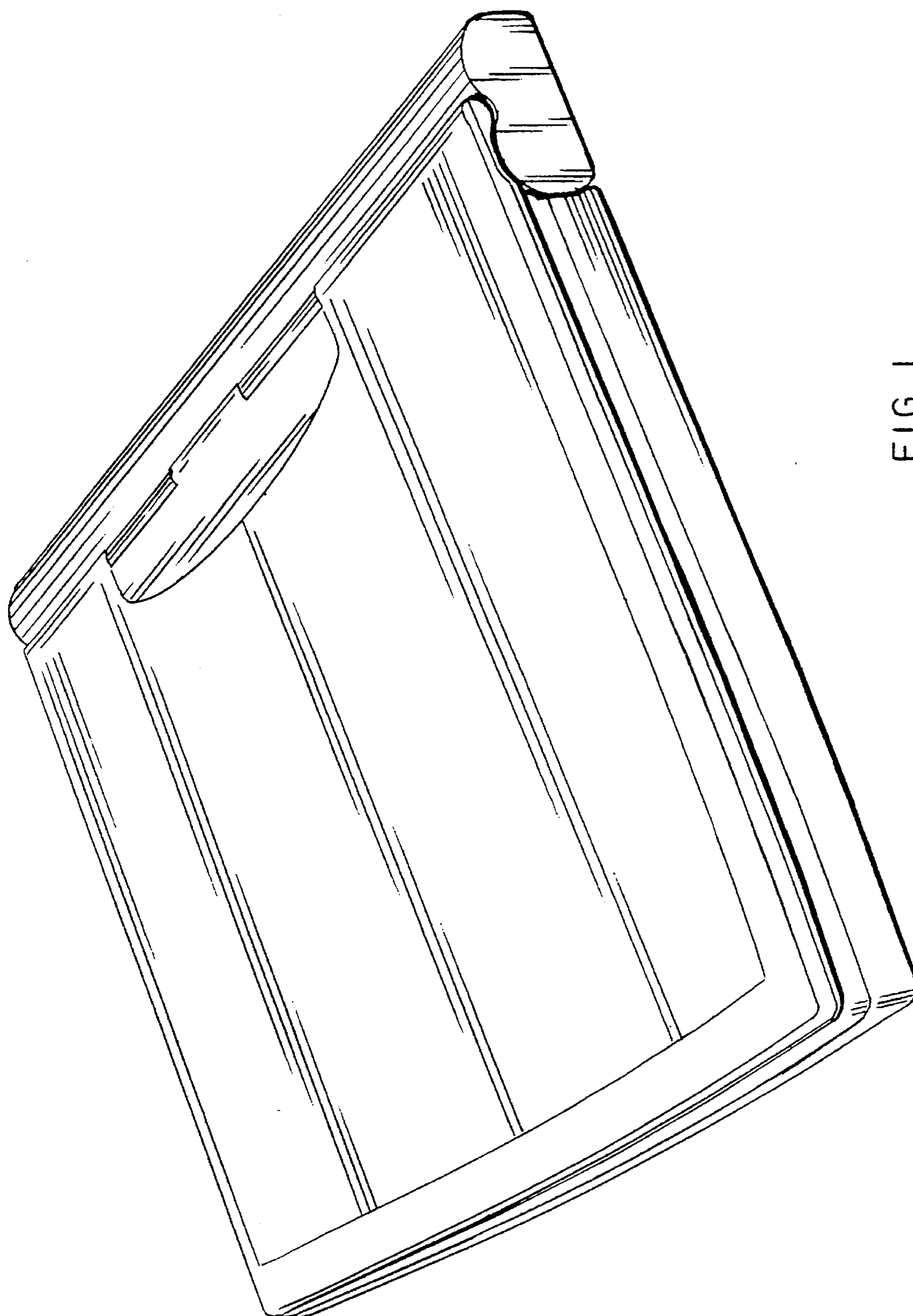


FIG. 1

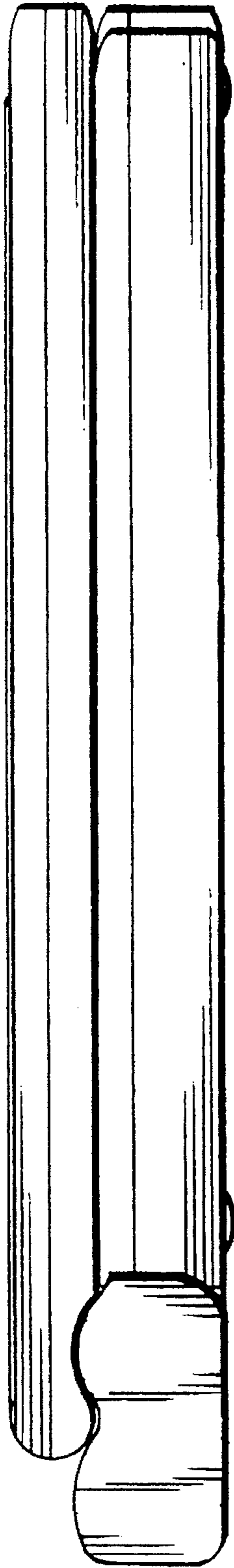


FIG. 2

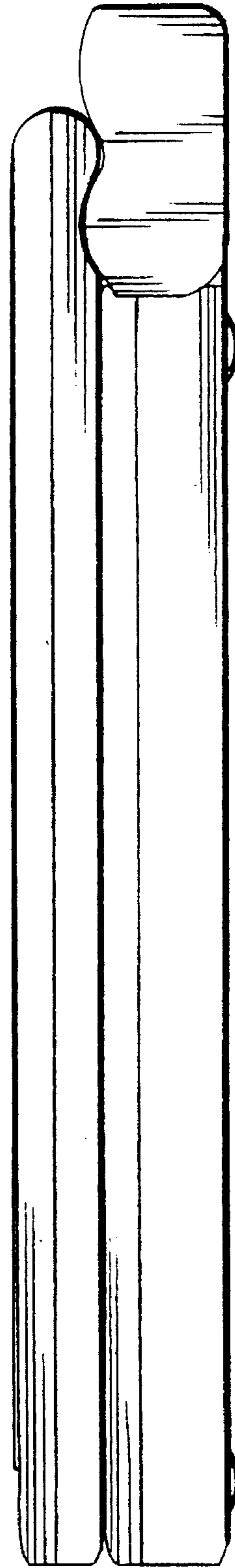


FIG. 3

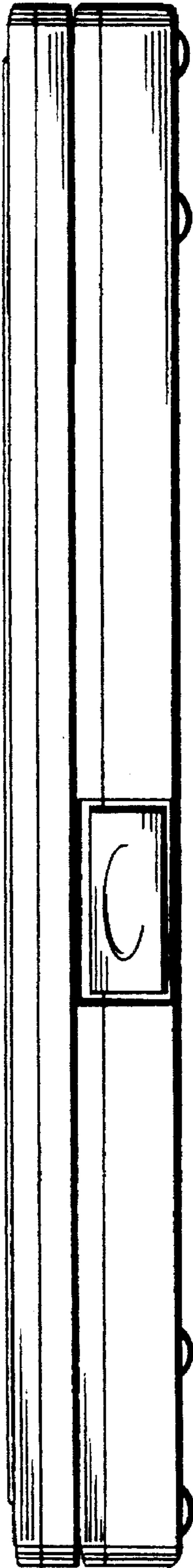


FIG. 4

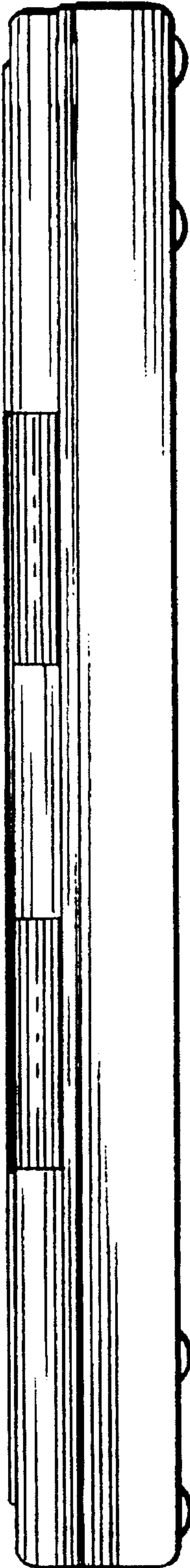


FIG. 5



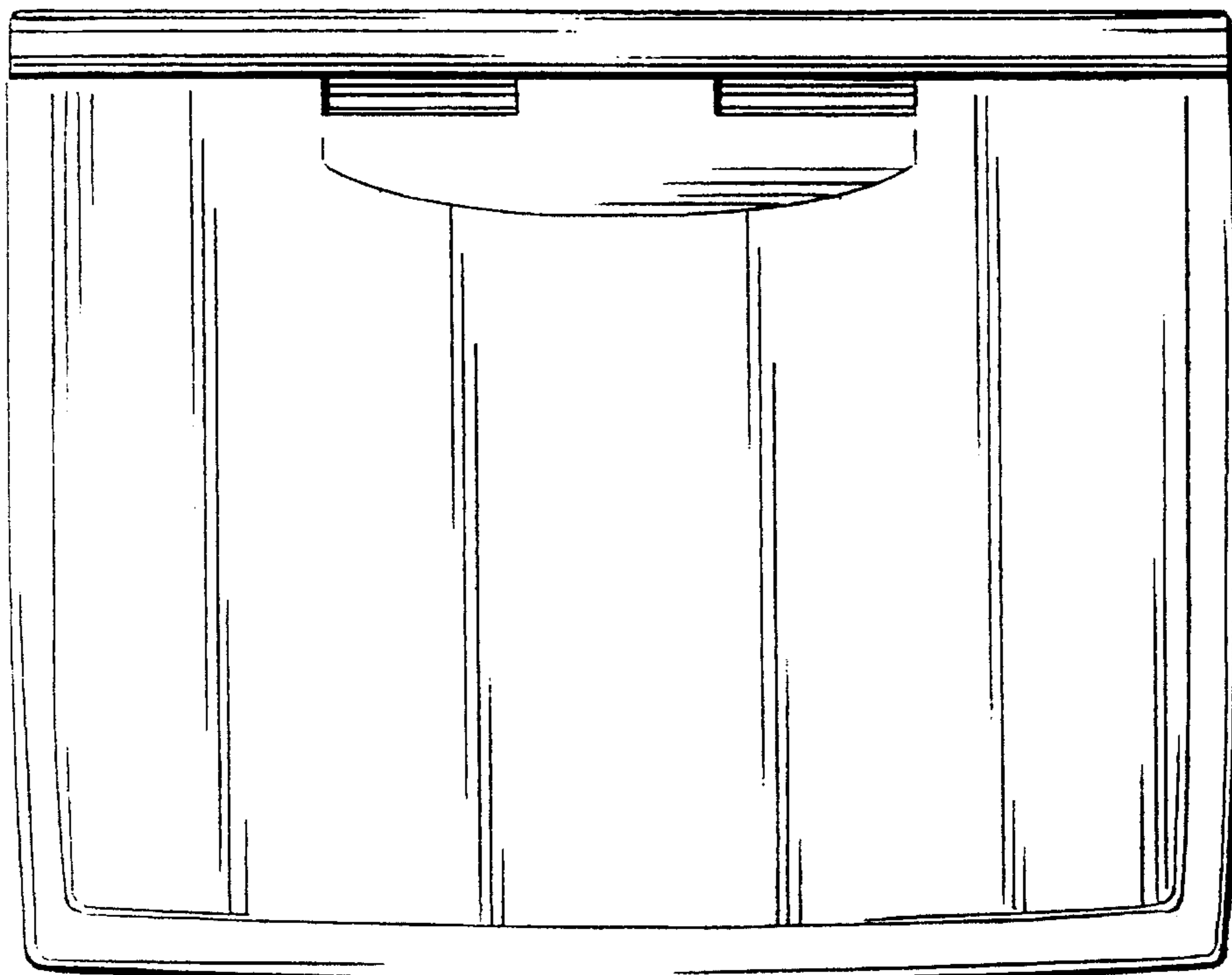


FIG. 6

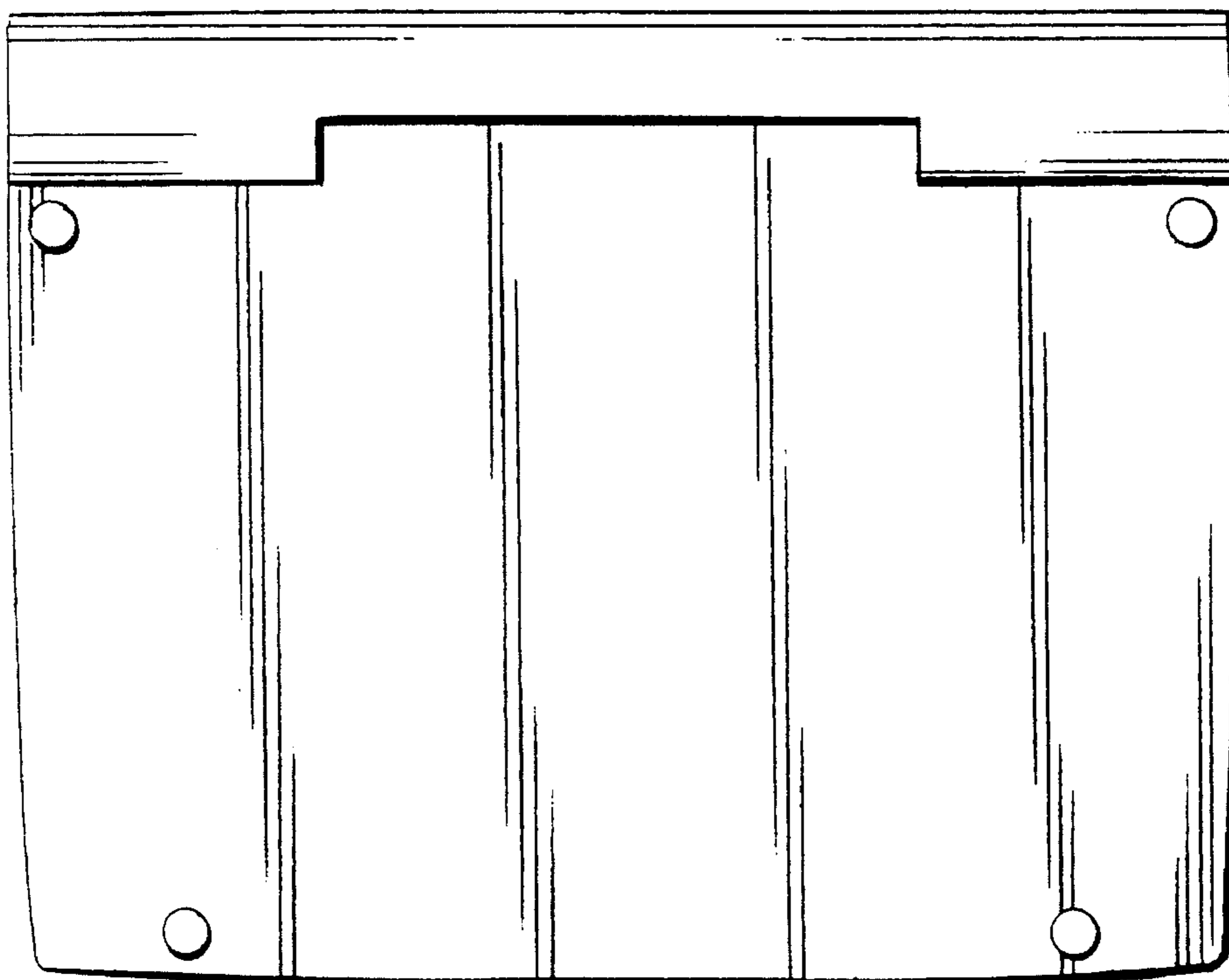


FIG. 7

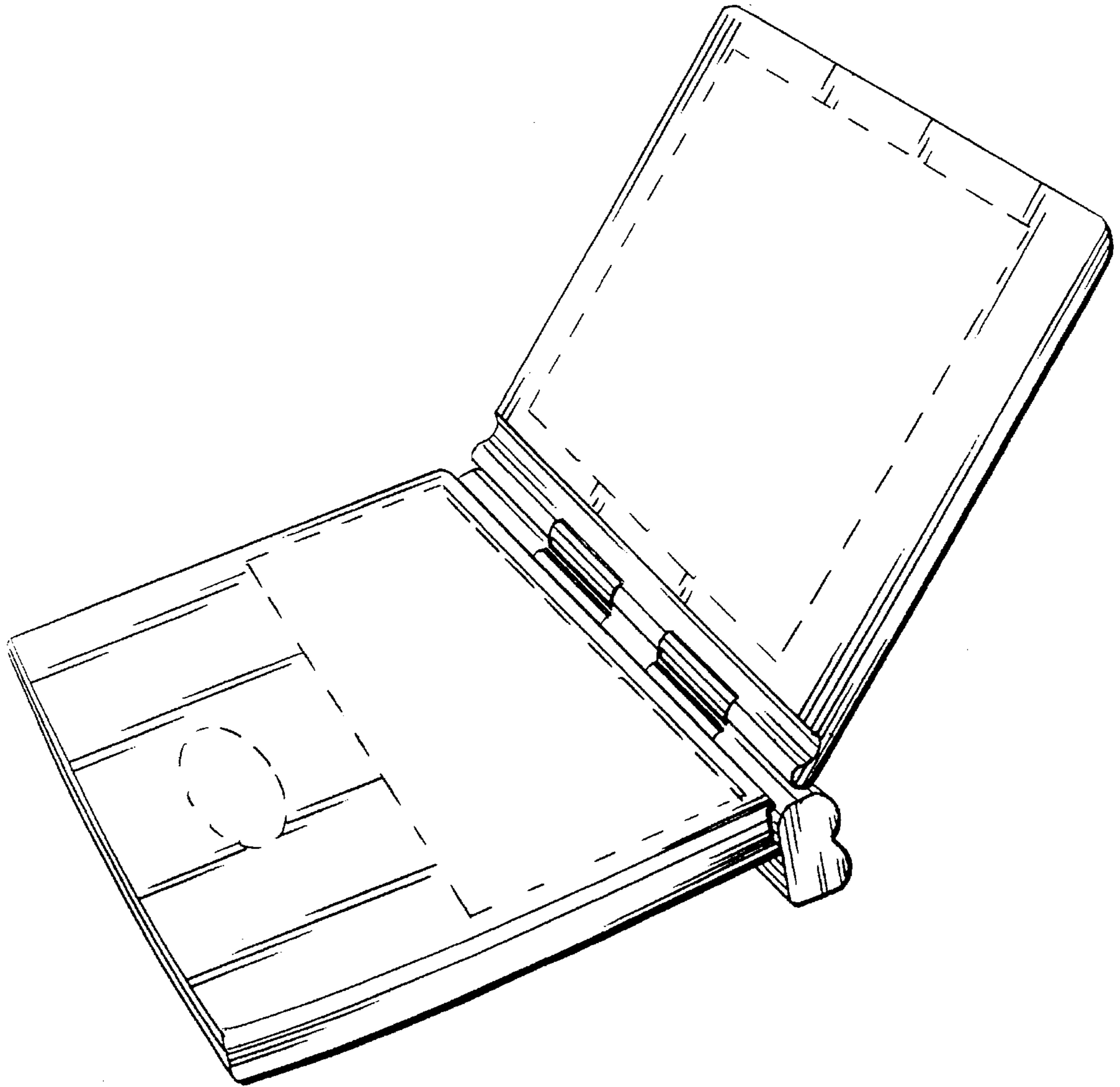


FIG. 8