



US00D370664S

United States Patent [19] Oates

[11] Patent Number: **Des. 370,664**

[45] Date of Patent: ****Jun. 11, 1996**

[54] **COMPUTER WORKSTATION**

[75] Inventor: **Markus Oates**, Glasgow, Scotland

[73] Assignee: **International Business Machines Corporation**, Armonk, N.Y.

[**] Term: **14 Years**

[21] Appl. No.: **28,874**

[22] Filed: **Sep. 23, 1994**

[30] **Foreign Application Priority Data**

Mar. 24, 1994 [GB] United Kingdom 2037957

[52] **U.S. Cl.** **D14/100**; D14/113

[58] **Field of Search** D14/100, 101,
D14/106, 113, 124-129; 345/104, 133,
156, 168, 173, 87, 901-905; 358/249, 254,
255; 248/917-924

[56] **References Cited**

U.S. PATENT DOCUMENTS

- D. 348,049 6/1994 Manabe et al. D14/100
- D. 349,277 8/1994 Merino et al. D14/100

D. 352,932 11/1994 Pangburn et al. D14/113

Primary Examiner—Freda Nunn
Attorney, Agent, or Firm—Martin J. McKinley; Andrew J. Dillon

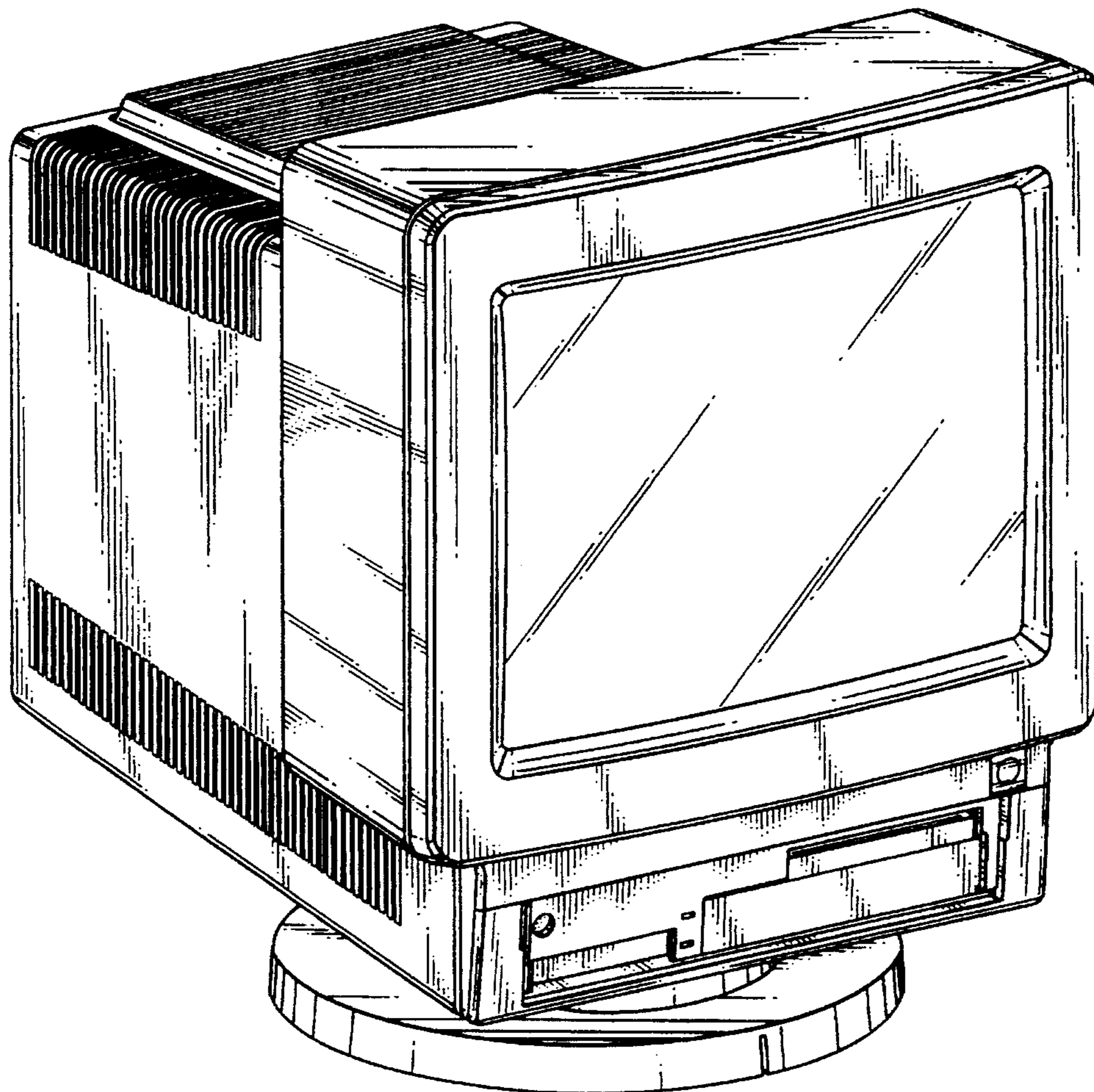
[57] **CLAIM**

The ornamental design for a computer workstation, as shown and described.

DESCRIPTION

FIG. 1 is an isometric view of the computer workstation of the present invention;
 FIG. 2 is a side elevation view of the computer workstation of the present invention the opposite side being identical;
 FIG. 3 is a front elevation view of the computer workstation of the present invention;
 FIG. 4 is a top plan view of the computer workstation of the present invention;
 FIG. 5 is a bottom plan view of the computer workstation of the present invention; and,
 FIG. 6 is a rear elevation view of the computer workstation of the present invention.

1 Claim, 6 Drawing Sheets



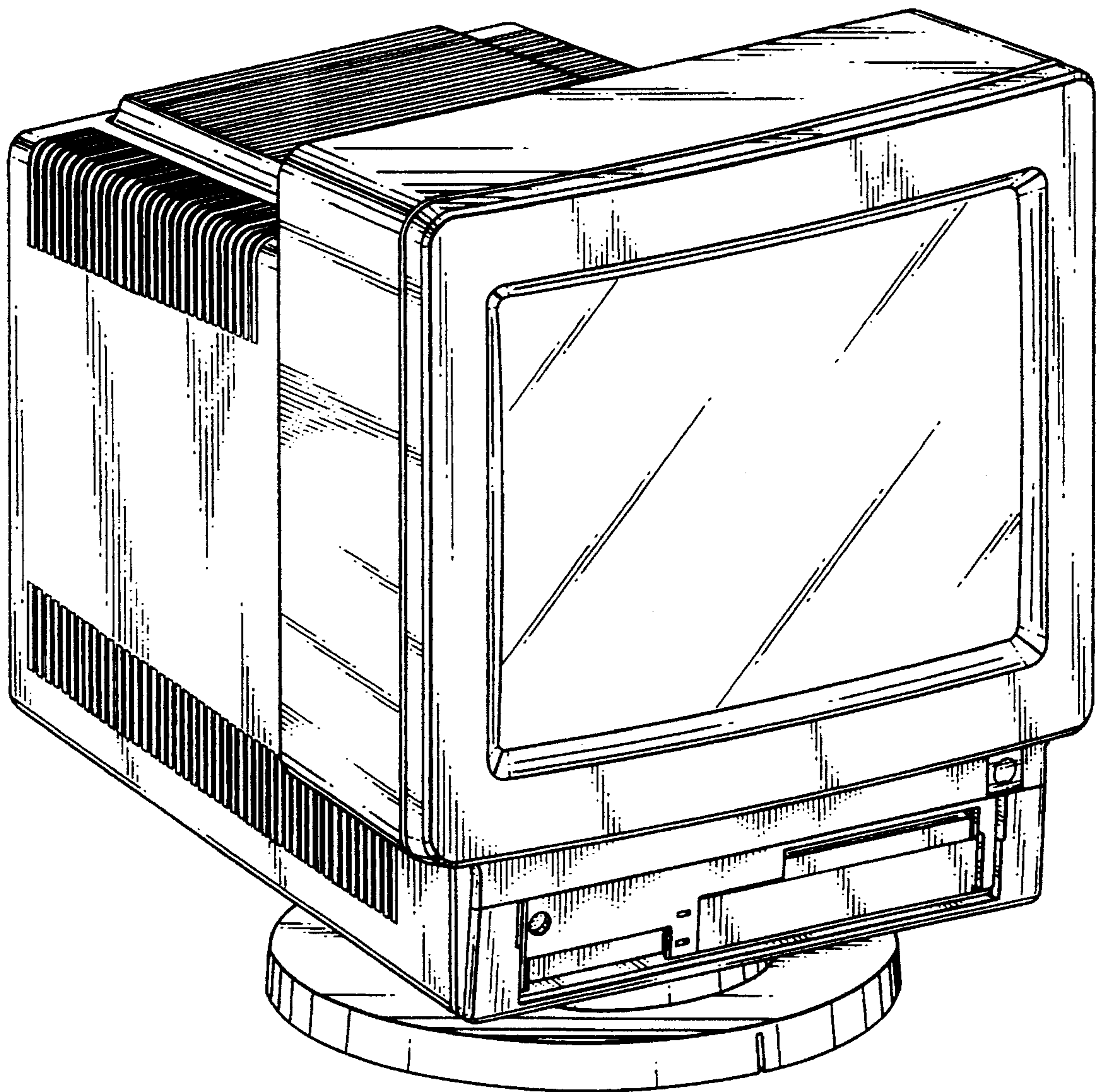


FIG. 1

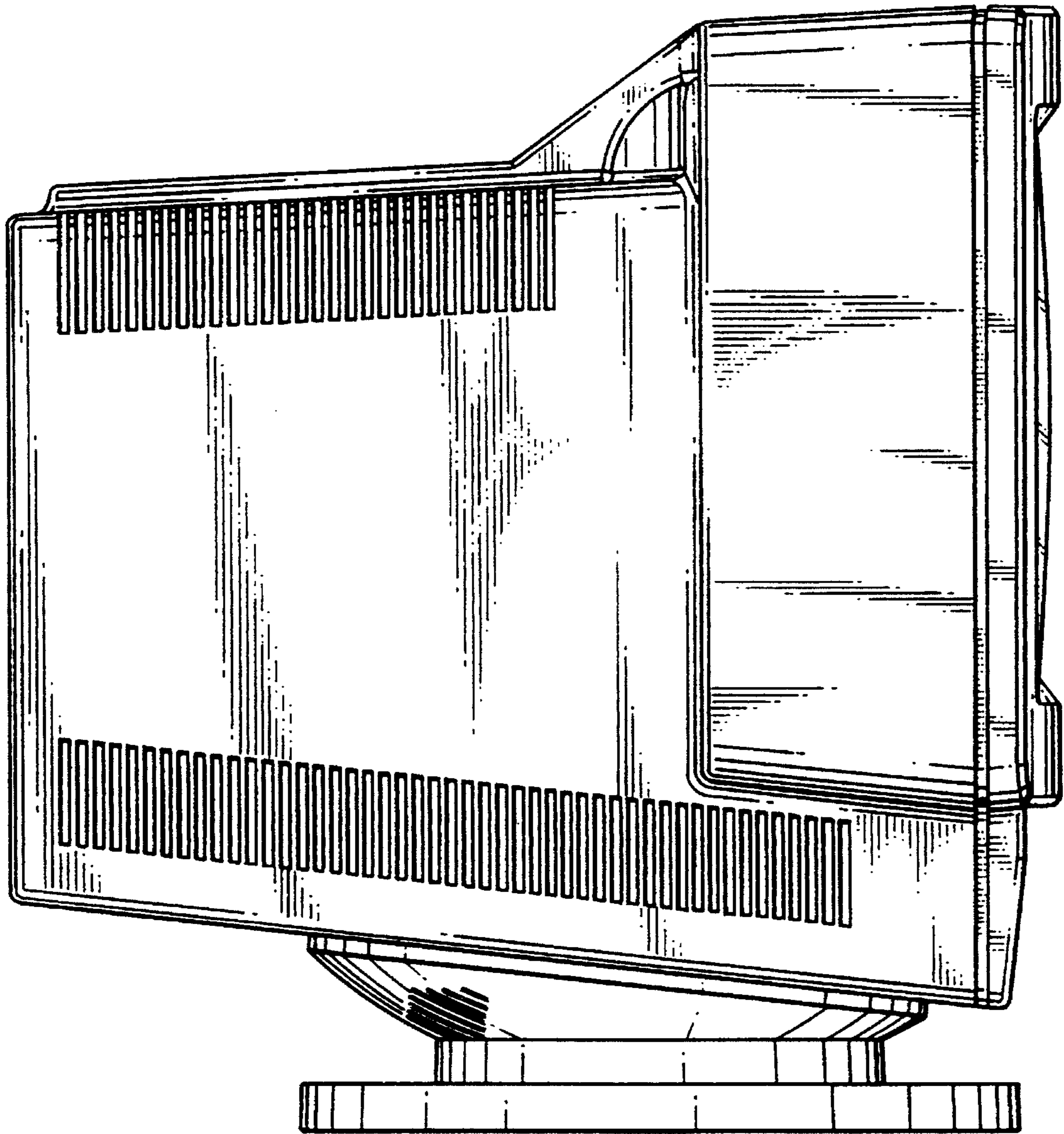


FIG. 2

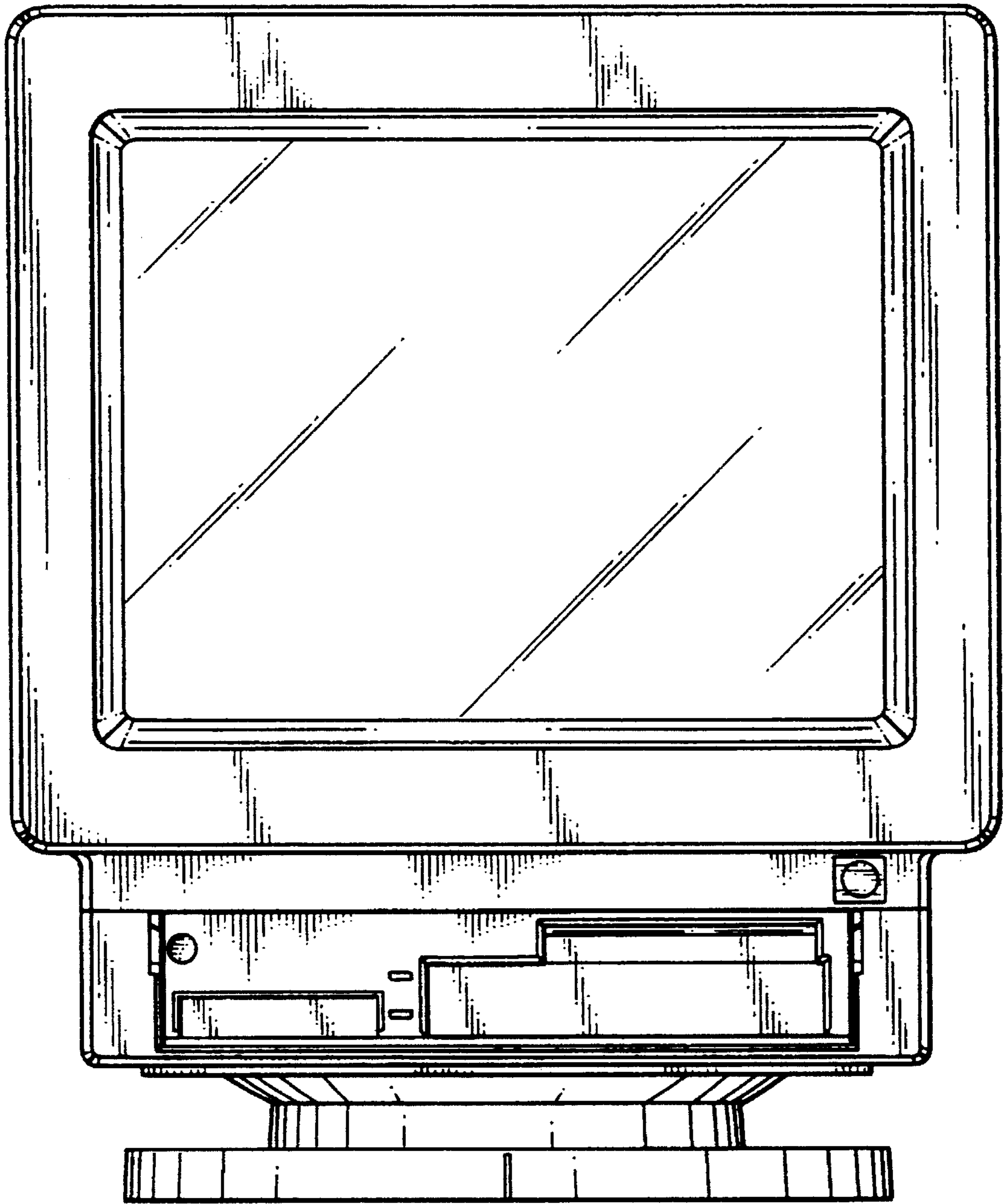


FIG. 3

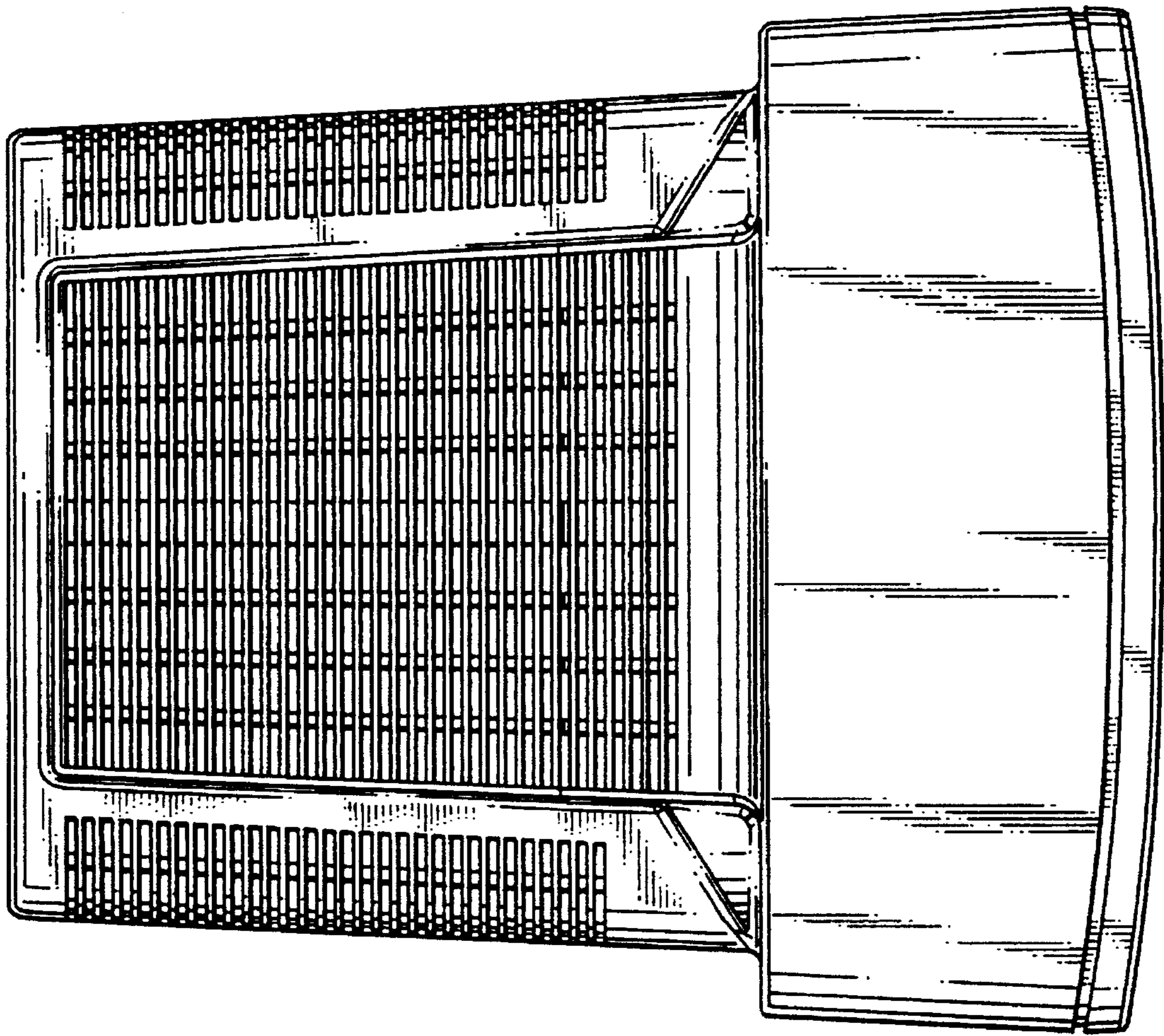


FIG. 4

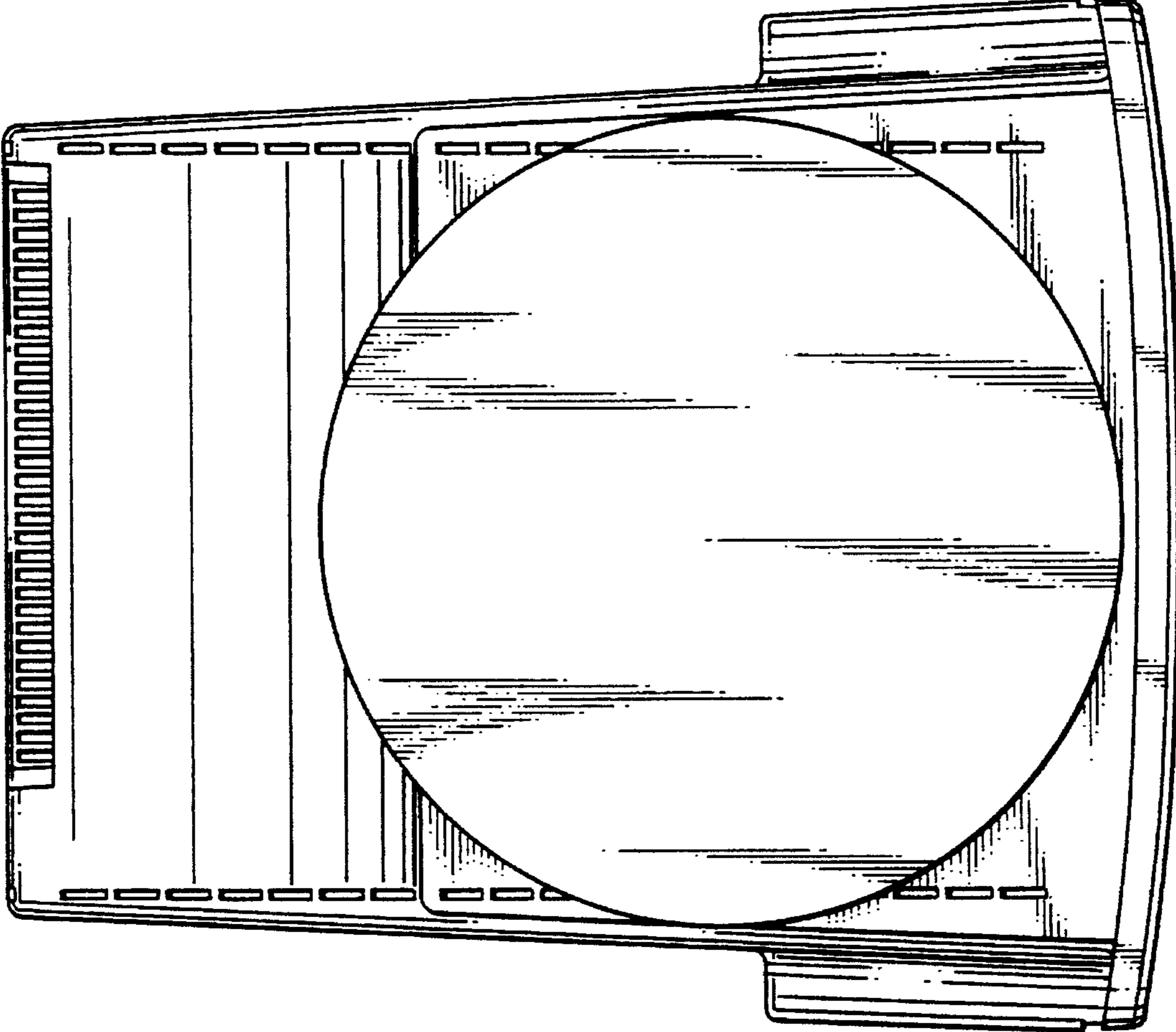


FIG. 5

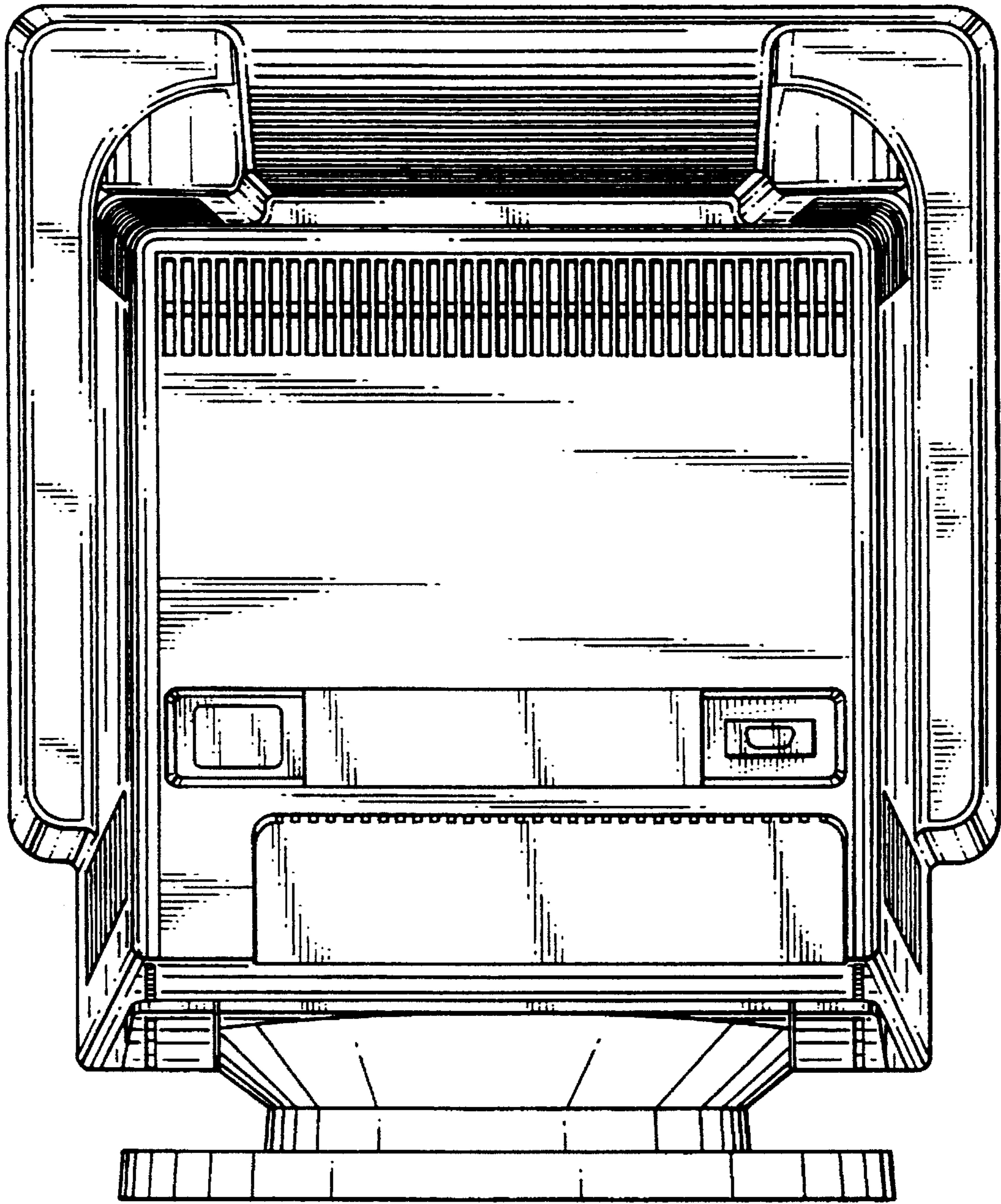


FIG. 6