



US00D370663S

United States Patent [19]

Swain et al.

[11] Patent Number: **Des. 370,663**

[45] Date of Patent: ****Jun. 11, 1996**

[54] **WIRELESS TRANSMITTER FOR
SELECTABLE ELECTRIC LOAD CONTROL
PANEL**

D. 316,847 5/1991 Rowen et al. D13/168
D. 344,068 2/1994 Adams et al. D13/164
5,237,264 8/1993 Moseley 340/825.69 X

[75] Inventors: **James Swain**, Bethlehem; **Noel Mayo**, Philadelphia; **Joel S. Spira**, Coopersburg, all of Pa.

OTHER PUBLICATIONS

Remote control on p. 53 of *Home Lighting & Accessories*, Oct 1989.

[73] Assignee: **Lutron Electronics Co., Inc.**, Coopersburg, Pa.

Primary Examiner—Joel Sincavage
Attorney, Agent, or Firm—Seidel, Gonda, Lavorgna & Monaco

[**] Term: **14 Years**

[57] CLAIM

[21] Appl. No.: **32,766**

The ornamental design for a wireless transmitter for selectable electric load control panel, as shown and described.

[22] Filed: **Dec. 20, 1994**

DESCRIPTION

Related U.S. Application Data

[63] Continuation of Ser. No. 14,924, Nov. 3, 1993, abandoned.

[52] U.S. Cl. **D13/168**

[58] Field of Search D13/164, 168;
D14/218; 340/825.69, 825.72; 455/89, 95,
151.2

FIG. 1 is an isometric illustration of a wireless transmitter for selectable electric load control panel showing our new design;

FIG. 2 is a top plan view thereof;

FIG. 3 is a left side elevational view thereof, the right side elevational view thereof being a mirror image;

FIG. 4 is a bottom plan view thereof;

FIG. 5 is a left end elevational view thereof; and,

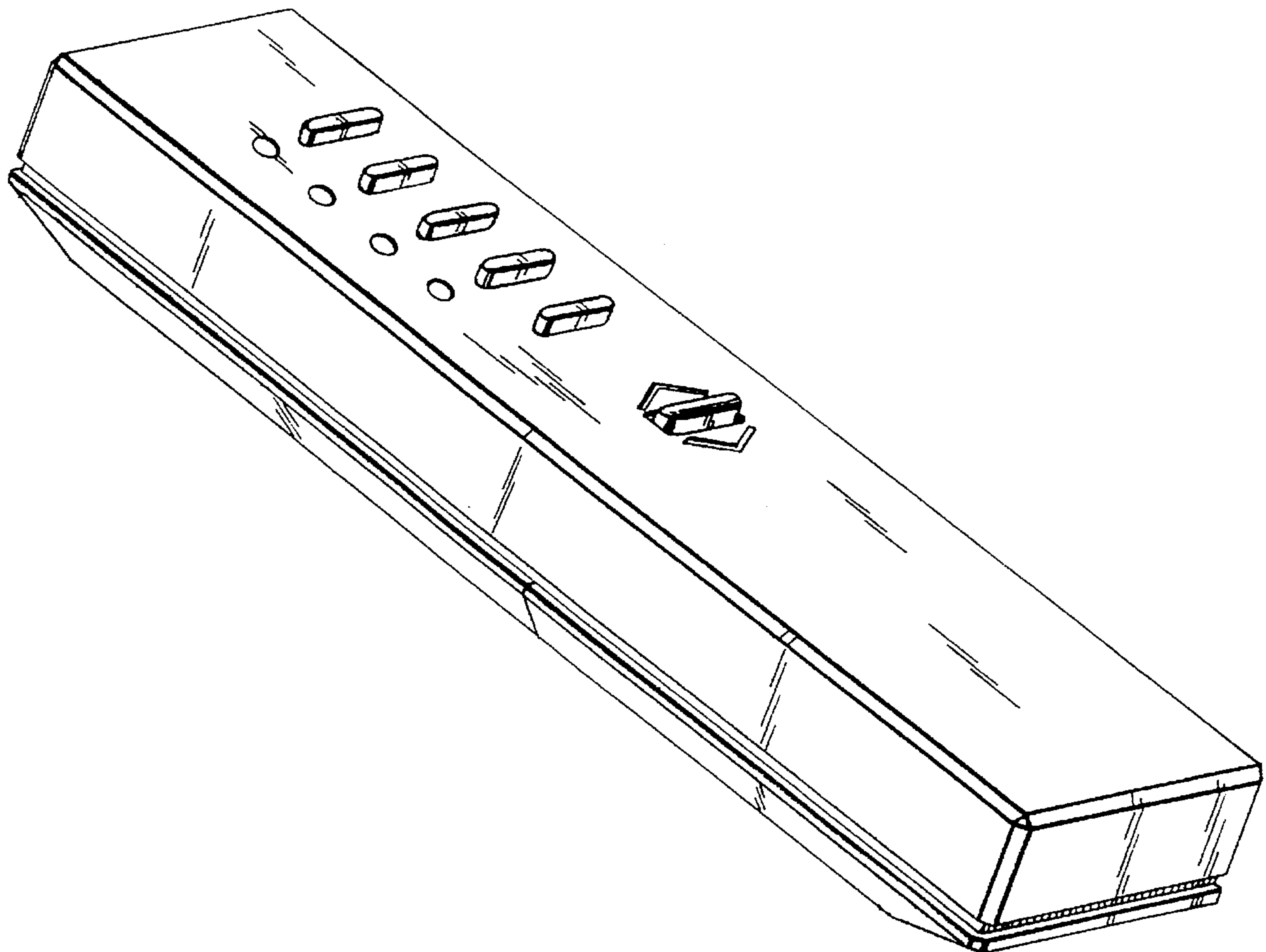
FIG. 6 is a right end elevational view thereof.

[56] References Cited

U.S. PATENT DOCUMENTS

D. 310,349 9/1990 Rowen D13/168
D. 313,973 1/1991 Walker D13/168

1 Claim, 2 Drawing Sheets



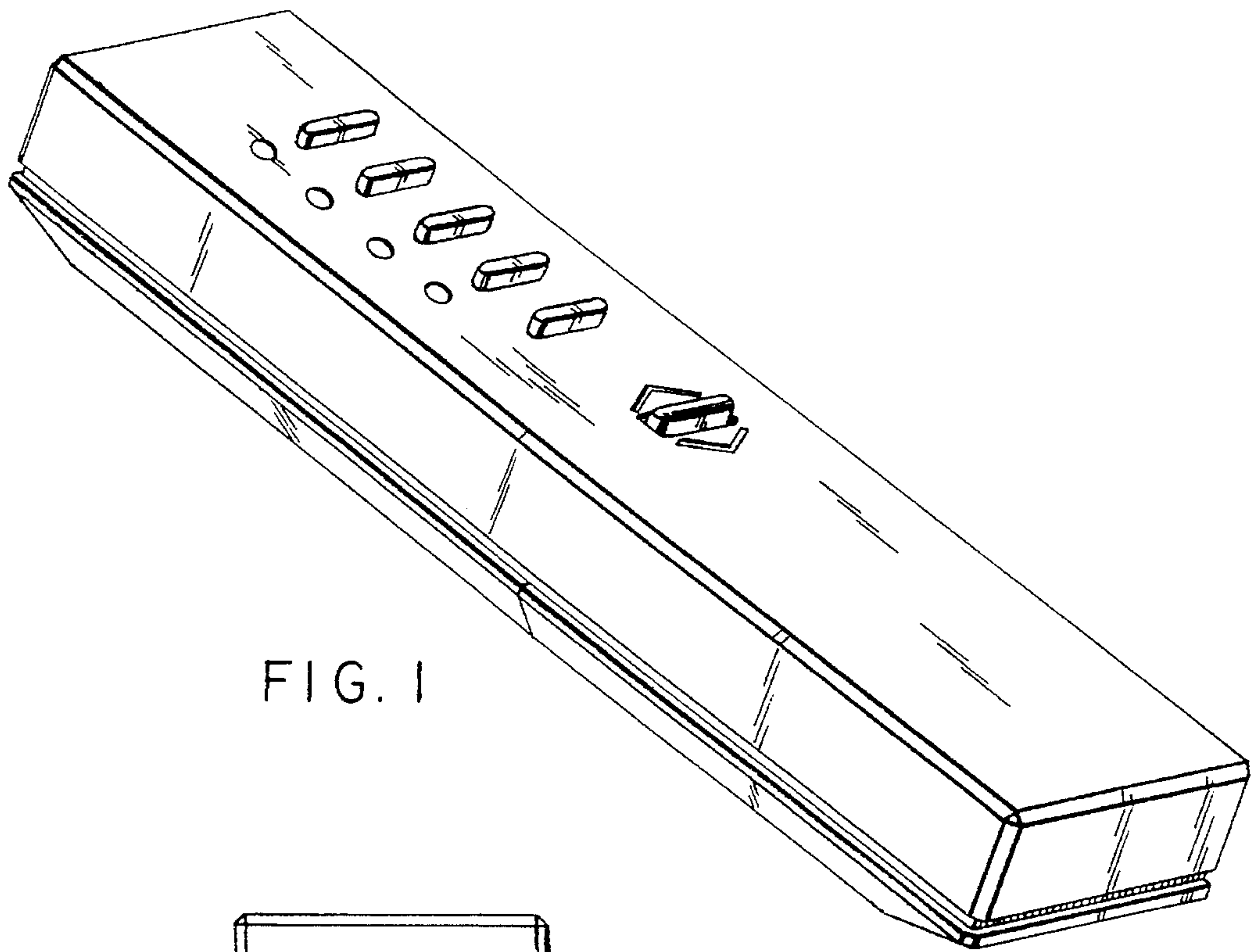


FIG. 1

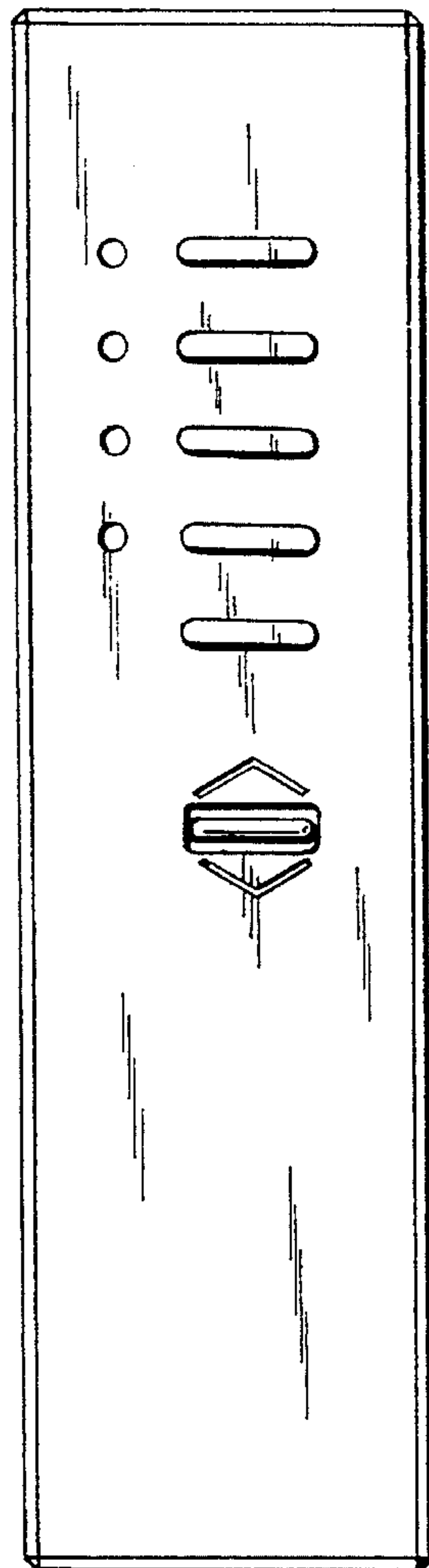


FIG. 2

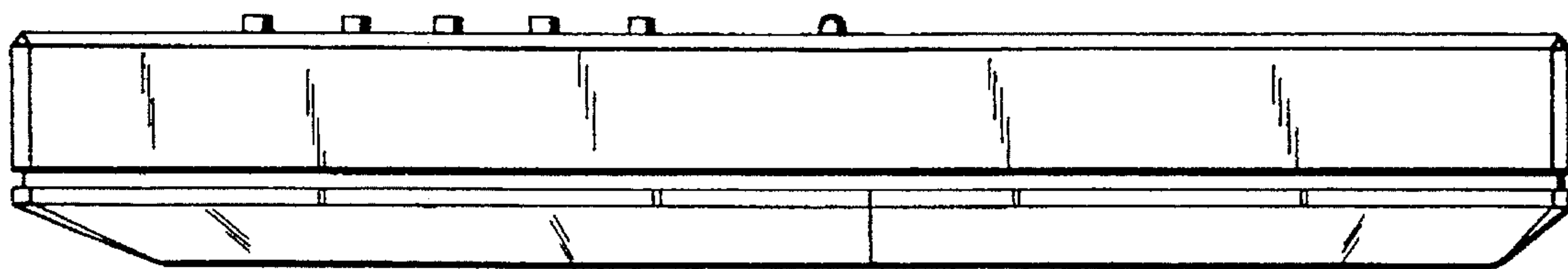


FIG. 3

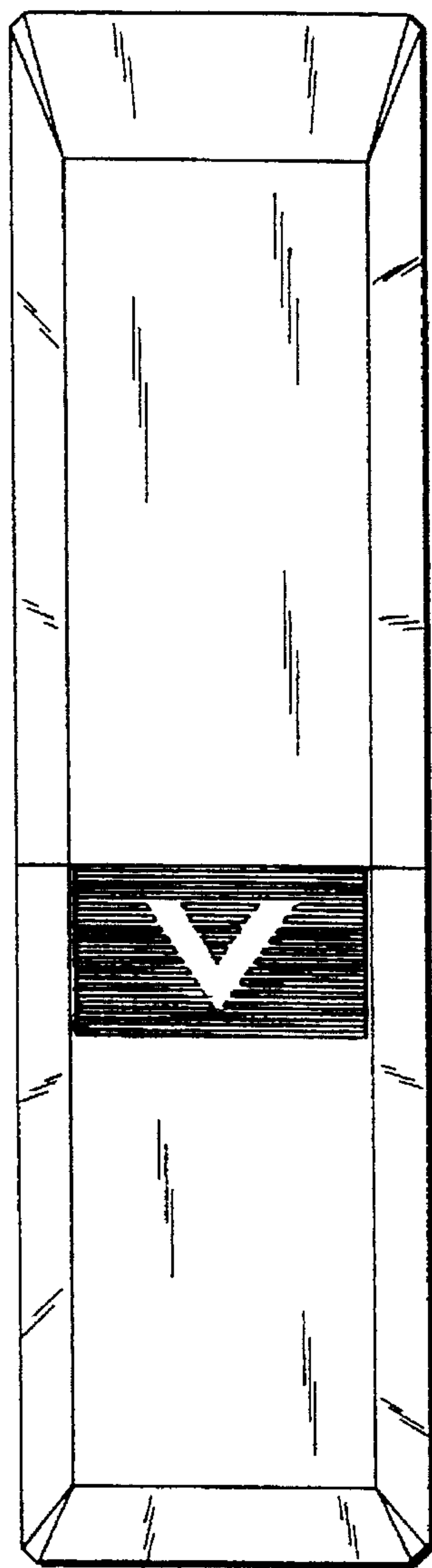


FIG. 4

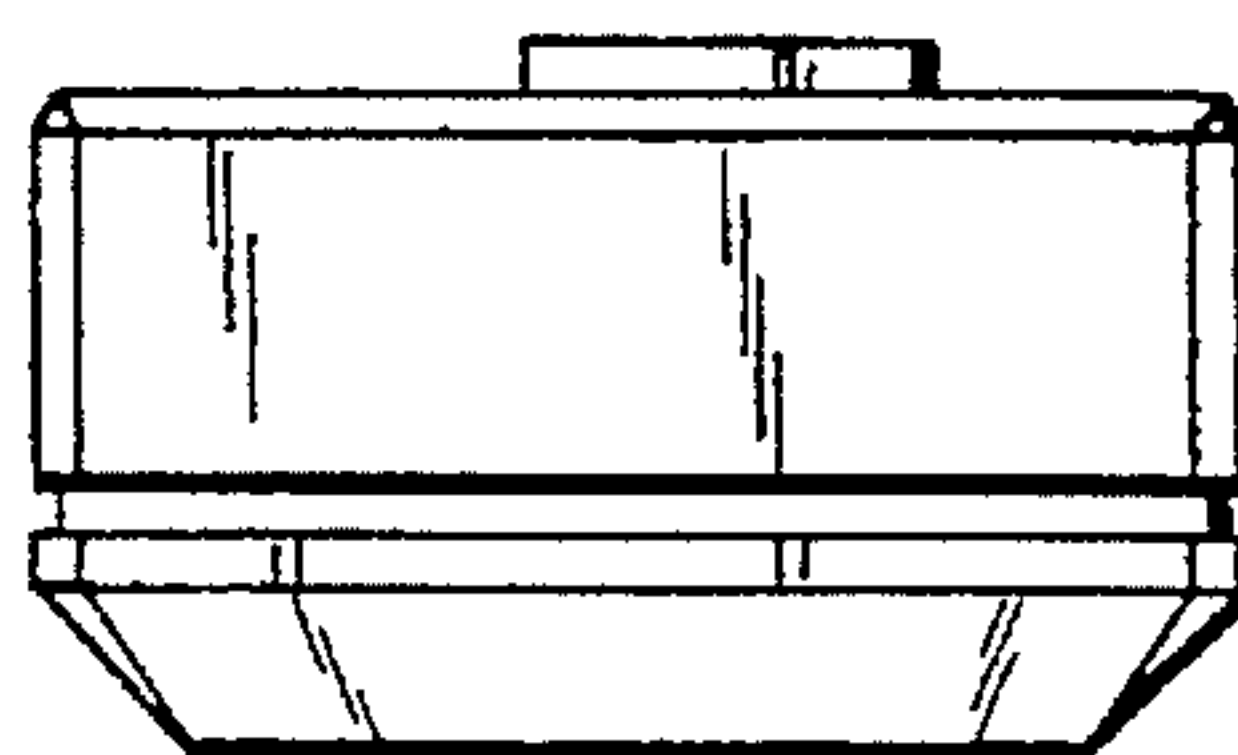


FIG. 5

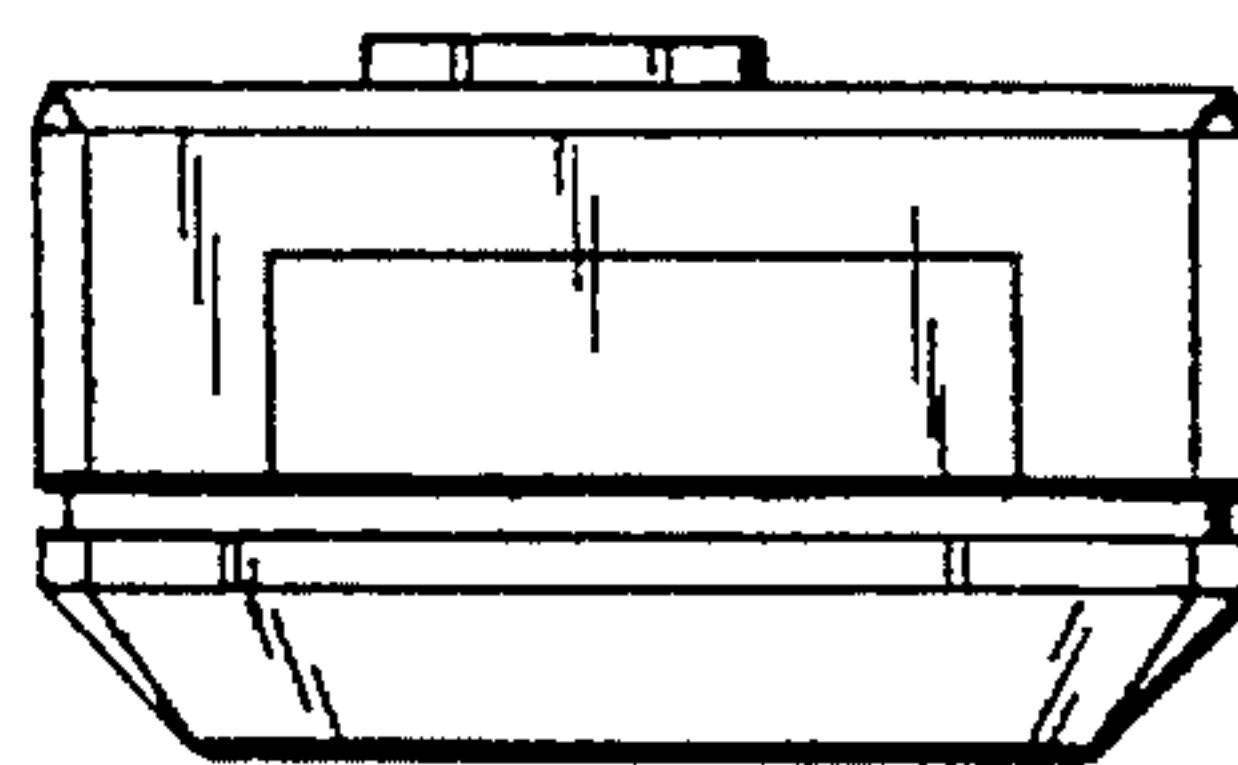


FIG. 6