



US00D370662S

**United States Patent** [19]  
**Alfaro**

[11] **Patent Number:** **Des. 370,662**  
[45] **Date of Patent:** **\*\*Jun. 11, 1996**

[54] **POWER DISTRIBUTION FUSED  
DISCONNECT MODULE**

D. 350,729 9/1994 Miyazawa et al. .... D13/160

[75] Inventor: **Conrad Alfaro**, Harwood Heights, Ill.

*Primary Examiner*—Joel Sincavage  
*Attorney, Agent, or Firm*—Charles E. Neff; Eddie E. Scott

[73] Assignee: **Cooper Industries Inc.**, Houston, Tex.

[57] **CLAIM**

[\*\*] Term: **14 Years**

The ornamental design for a power distribution fused disconnect module.

[21] Appl. No.: **38,686**

**DESCRIPTION**

[22] Filed: **May 8, 1995**

**Related U.S. Application Data**

[63] Continuation-in-part of Ser. No. 246,703, May 20, 1994.

[52] U.S. Cl. .... **D13/160**

[58] Field of Search ..... D13/160, 161;  
361/104, 626, 630, 837

FIG. 1 is a right front perspective view thereof;

FIG. 2 is a top plan view thereof;

FIG. 3 is a bottom plan view thereof;

FIG. 4 is a back perspective view thereof;

FIG. 5 is a front elevational view thereof;

FIG. 6 is a left side elevational view thereof; and,

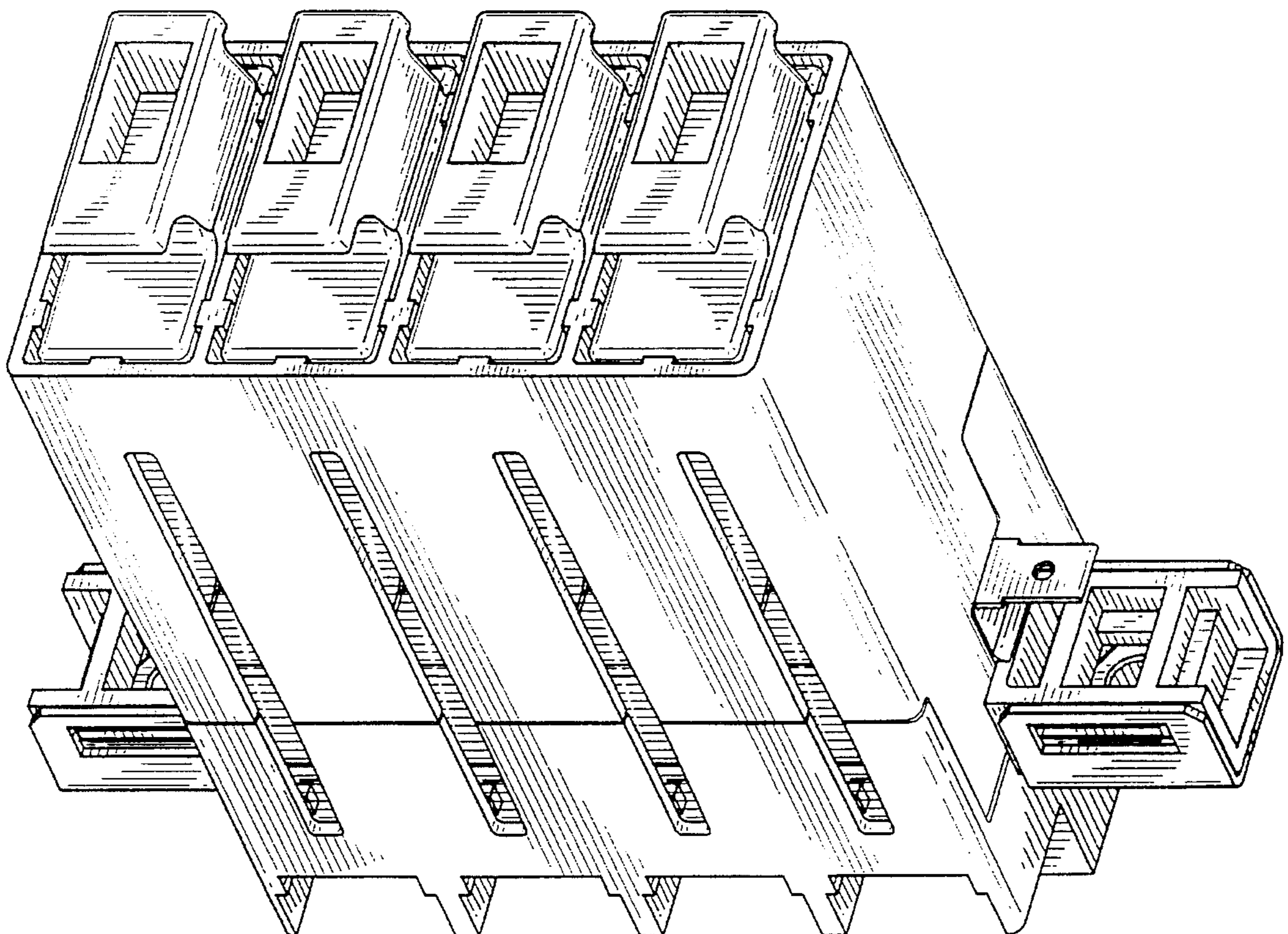
FIG. 7 is a right side elevational view thereof.

[56] **References Cited**

**U.S. PATENT DOCUMENTS**

D. 348,048 6/1994 Marach et al. .... D13/160

**1 Claim, 3 Drawing Sheets**



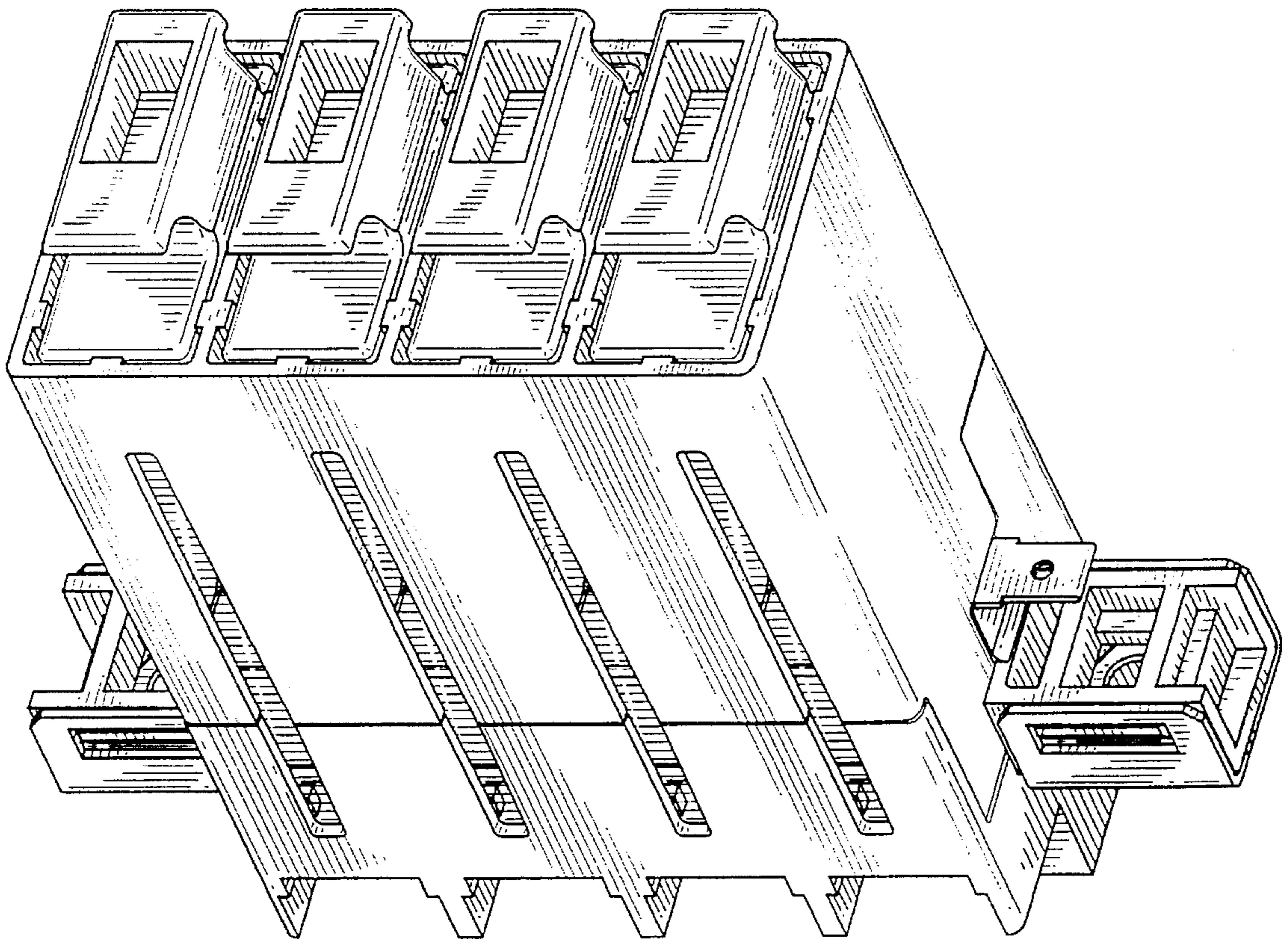


Fig. 1

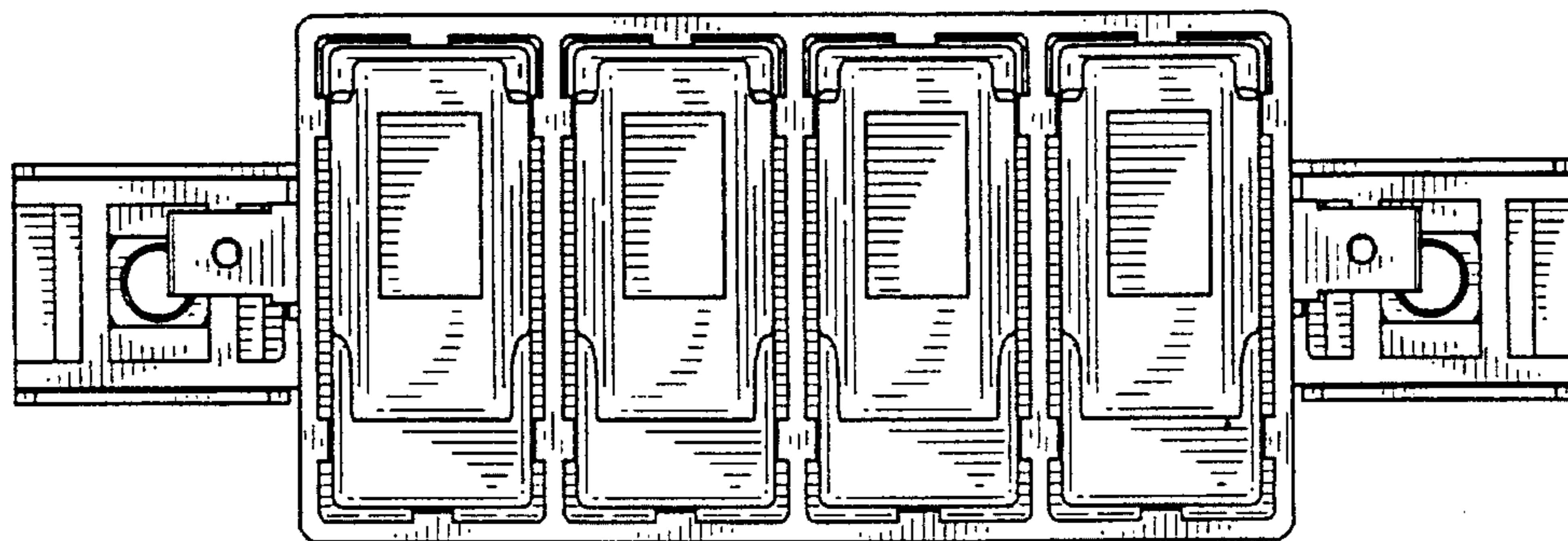


Fig. 2

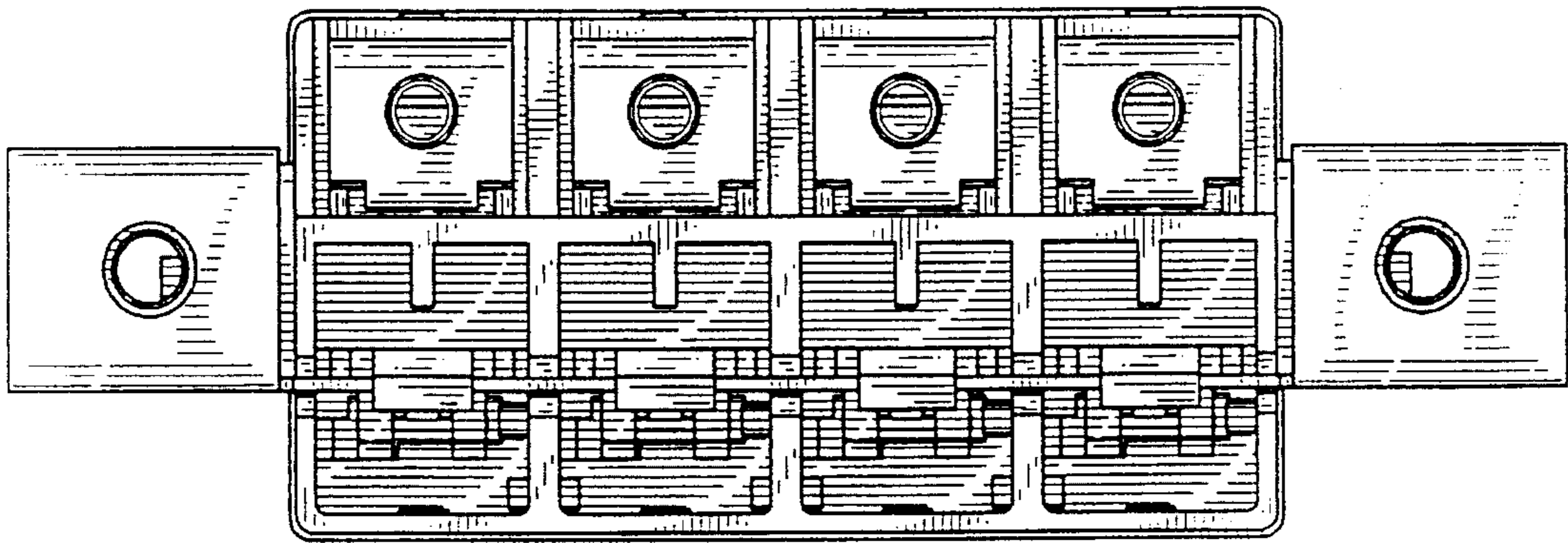


Fig. 3

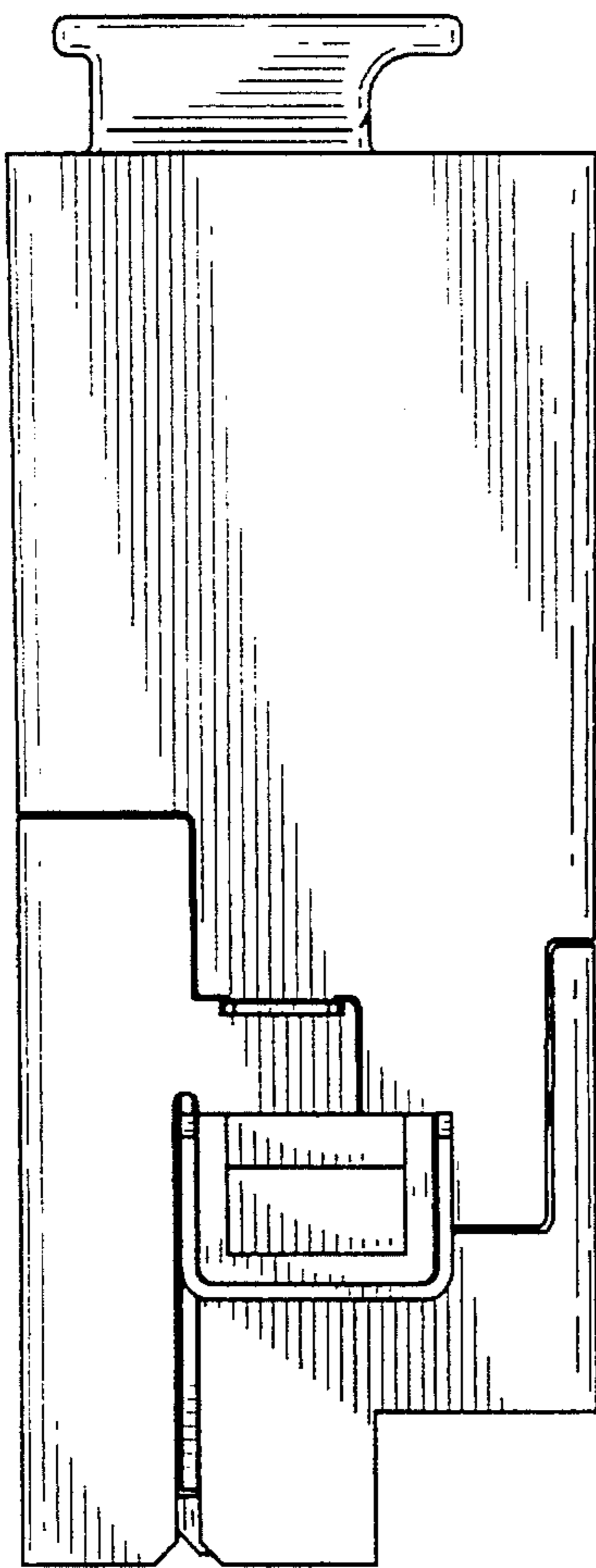


Fig. 4

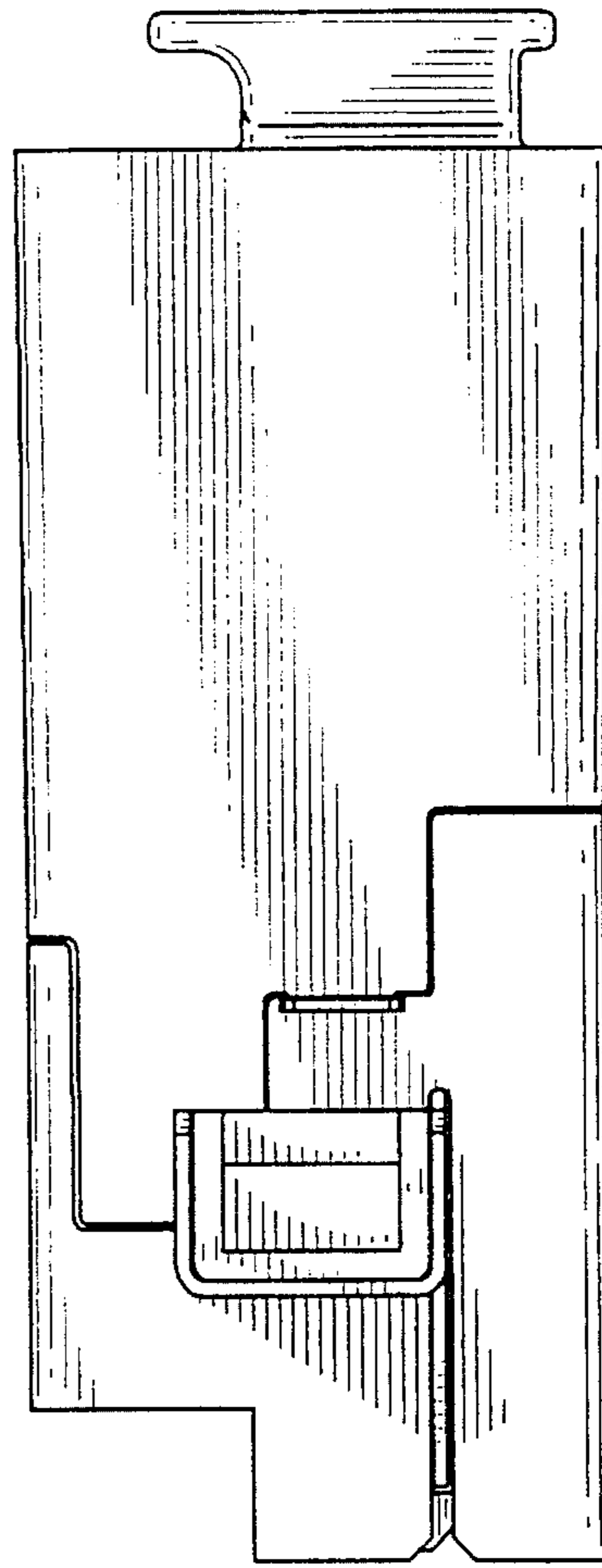


Fig. 5

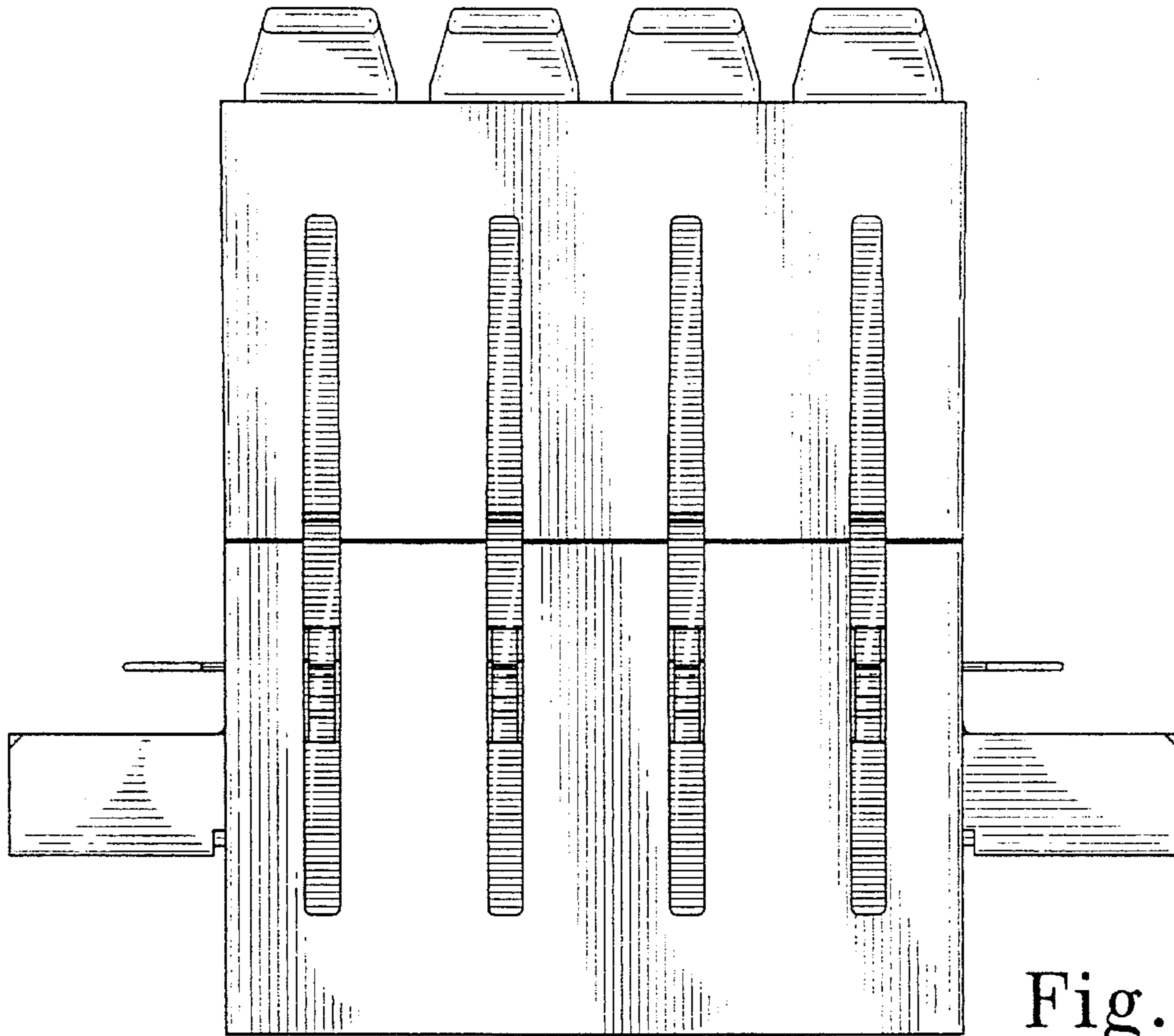


Fig. 6

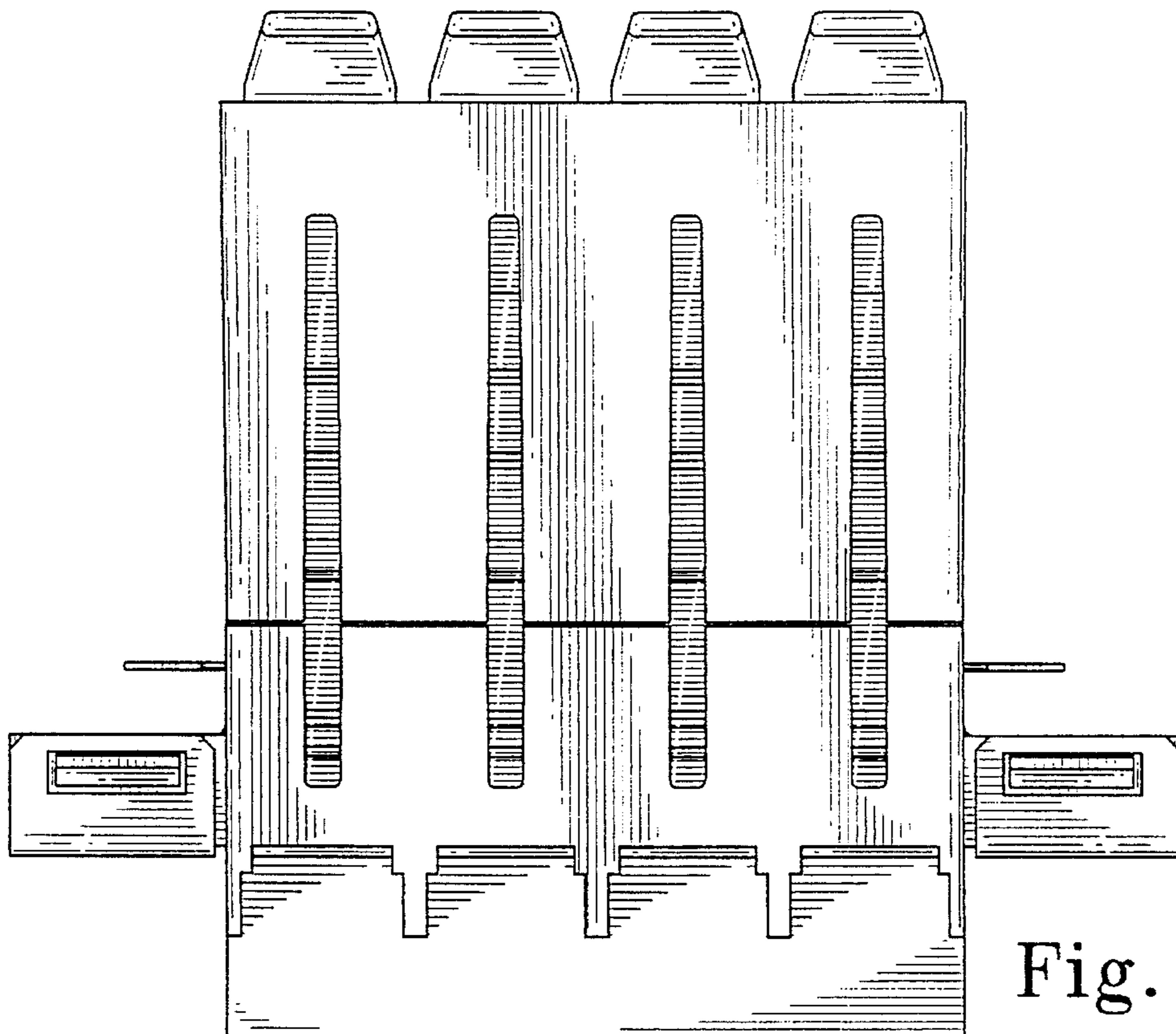


Fig. 7