



US00D370660S

# United States Patent [19]

[11] Patent Number: **Des. 370,660**

**Bouteiller**

[45] Date of Patent: **\*\*Jun. 11, 1996**

[54] **FRONT AND TOP PORTIONS OF AN ELECTRICAL CONTACTOR**

[75] Inventor: **Christian Bouteiller**, Rueil Malmaison, France

[73] Assignee: **Telemecanique**, France

[\*\*] Term: **14 Years**

[21] Appl. No.: **27,559**

[22] Filed: **Aug. 25, 1994**

### Related U.S. Application Data

[62] Division of Ser. No. 12,326, Aug. 30, 1993, Pat. No. Des. 370,661, which is a division of Ser. No. 829, Jan. 5, 1993, Pat. No. Des. 343,162, which is a continuation of Ser. No. 391,328, Aug. 9, 1989, abandoned.

### [30] Foreign Application Priority Data

Feb. 13, 1989 [FR] France ..... 891003

[52] U.S. Cl. .... **D13/159**

[58] Field of Search ..... D13/133, 146-7, D13/159; 335/14, 16, 131-3, 201-2, 170-1, 174, 192, 195

### [56] References Cited

#### U.S. PATENT DOCUMENTS

Re. 26,172 3/1967 Scheib, Jr. .... 335/131

D. 216,888	3/1970	Kunkle .....	D13/147
D. 300,819	4/1989	Orbanic .....	D13/147
2,907,847	10/1959	Grenier et al. ....	335/131 X
3,215,800	11/1965	Hurter et al. ....	335/131
3,334,319	8/1967	Herrmann et al. ....	335/131
3,800,251	3/1974	Usui et al. ....	335/131
4,827,234	5/1989	Weiser et al. ....	335/132 X
4,945,328	7/1990	Kinney et al. ....	335/131 X

### OTHER PUBLICATIONS

Elektrotechnische Zeitschrift, p. 761, Jul. 1985.

"Design News," Motor Circuit Protector, p. 117, Jul. 18, 1988.

*Primary Examiner*—M. H. Tung

*Attorney, Agent, or Firm*—William A. Drucker

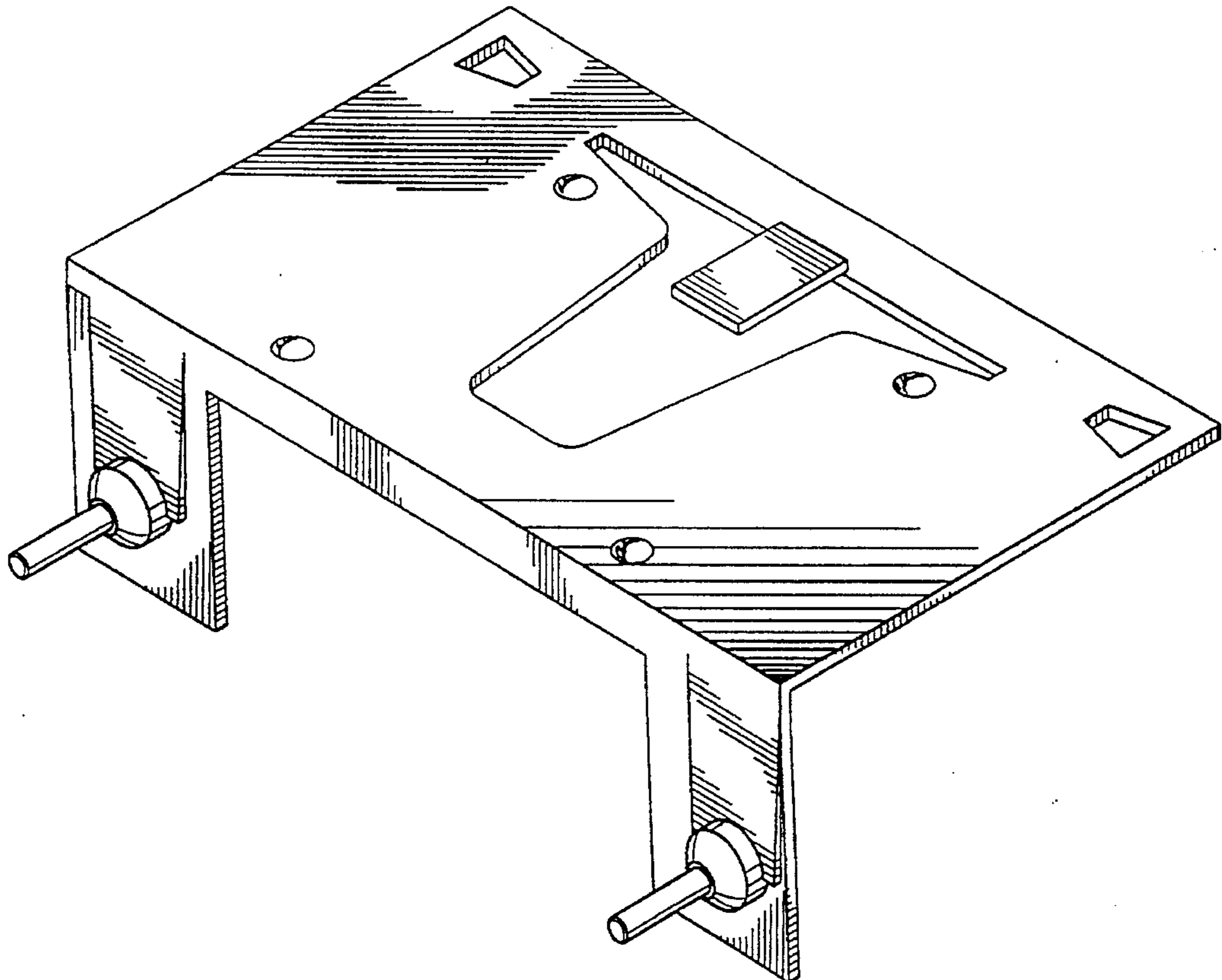
### [57] CLAIM

The ornamental design for front and top portions of an electrical contactor, as shown and described.

### DESCRIPTION

FIG. 1 is a perspective view of front and top portions of an electrical contactor in accordance with the present invention. The panels have an insubstantial thickness; and, FIG. 2 is a top view in accordance with the present invention.

**1 Claim, 1 Drawing Sheet**



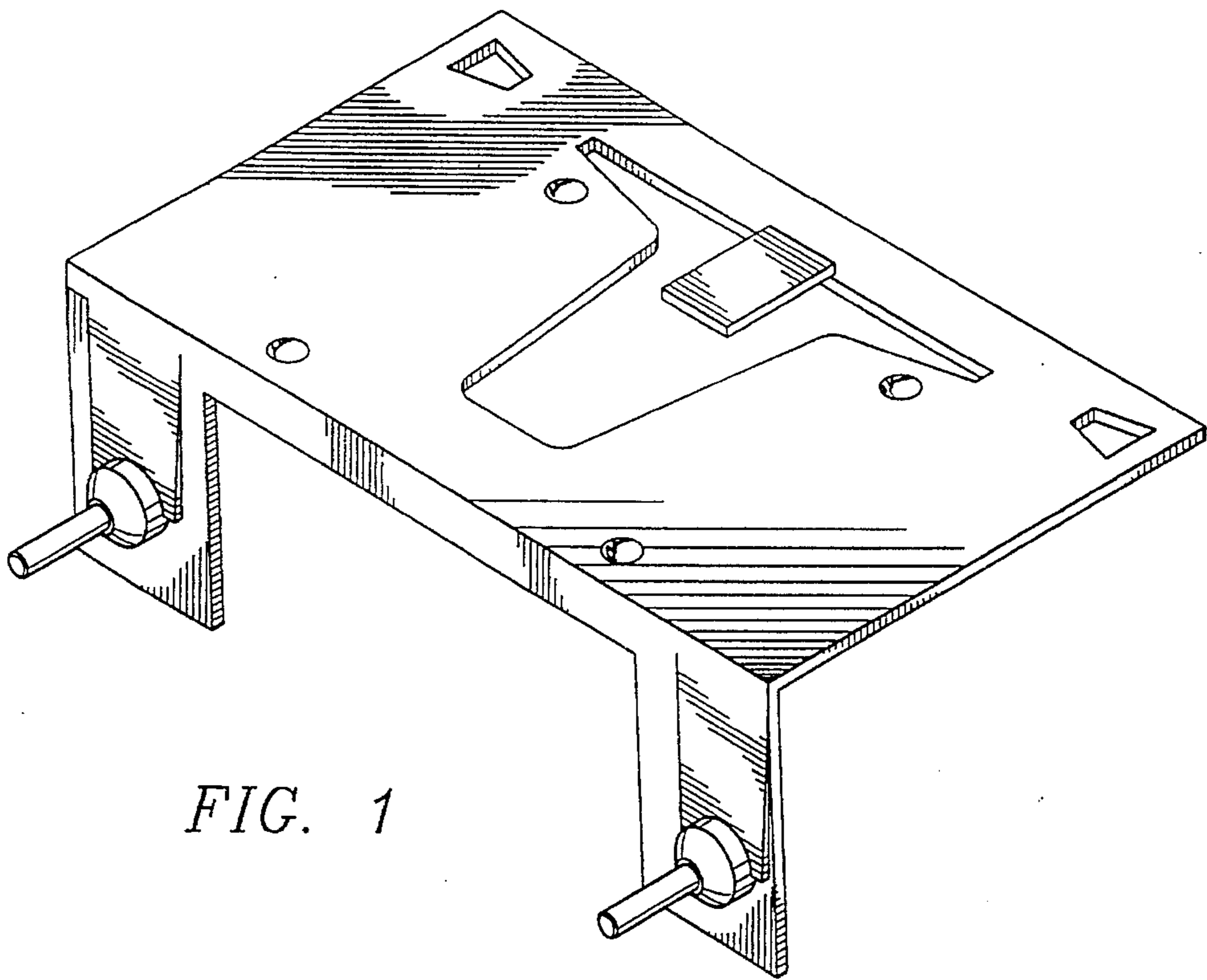


FIG. 1

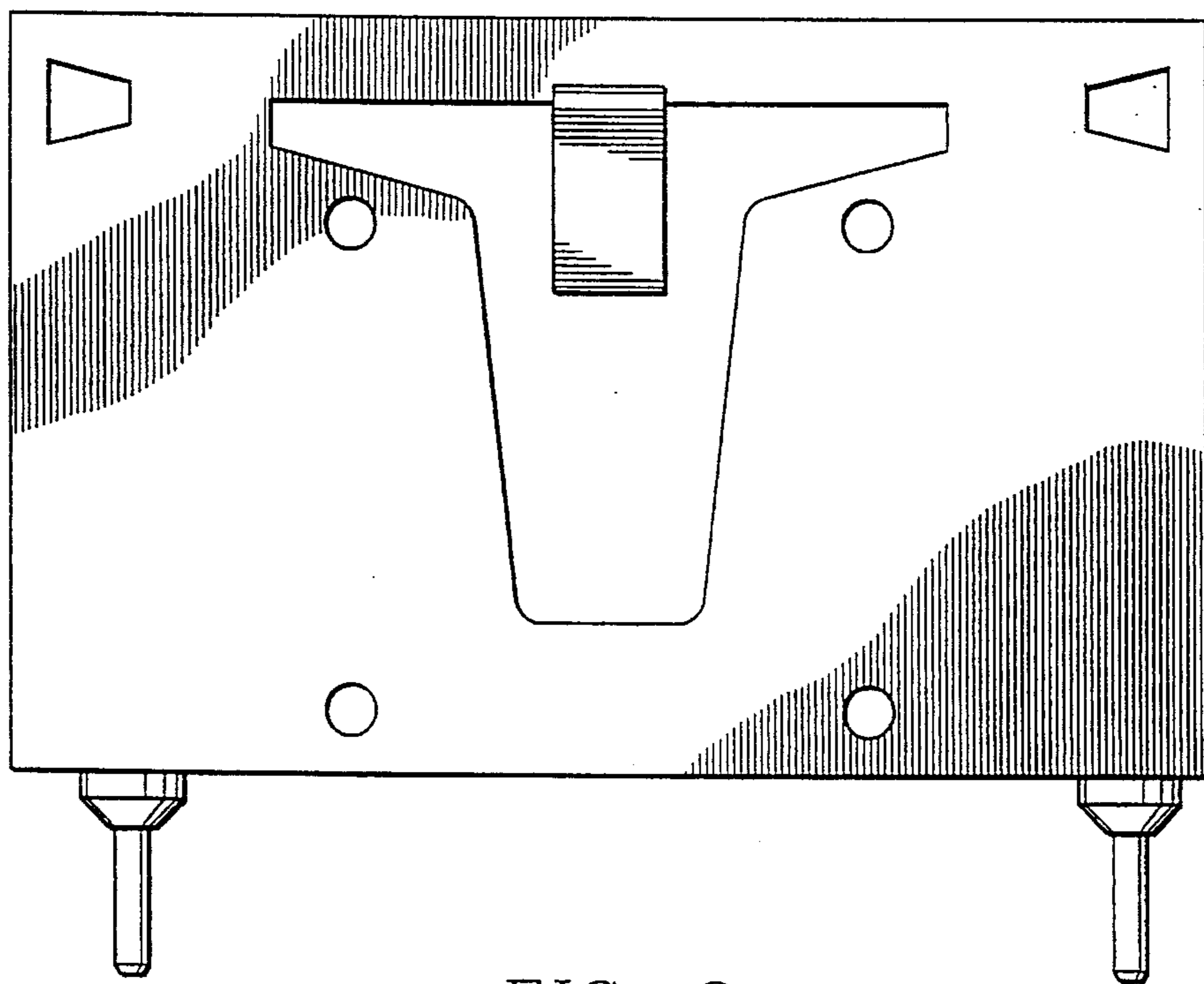


FIG. 2