



US00D370655S

United States Patent [19]

Beerman

[11] Patent Number: **Des. 370,655**

[45] Date of Patent: ****Jun. 11, 1996**

[54] PEDAL BOAT

[76] Inventor: **Roger D. Beerman**, 1351 3rd Rd. NE.,
Power, Mont. 59468

[**] Term: **14 Years**

[21] Appl. No.: **40,601**

[22] Filed: **Jun. 22, 1995**

[52] U.S. Cl. **D12/306; D12/305; D12/300**

[58] Field of Search **D12/300, 305,
D12/306, 314; 114/61, 363, 357, 66.5,
283, 284**

[56] **References Cited**

U.S. PATENT DOCUMENTS

D. 313,584 1/1991 Linebaugh D12/305
D. 343,380 1/1994 Wortham D12/306

Primary Examiner—Kay H. Chin
Attorney, Agent, or Firm—Harpman & Harpman

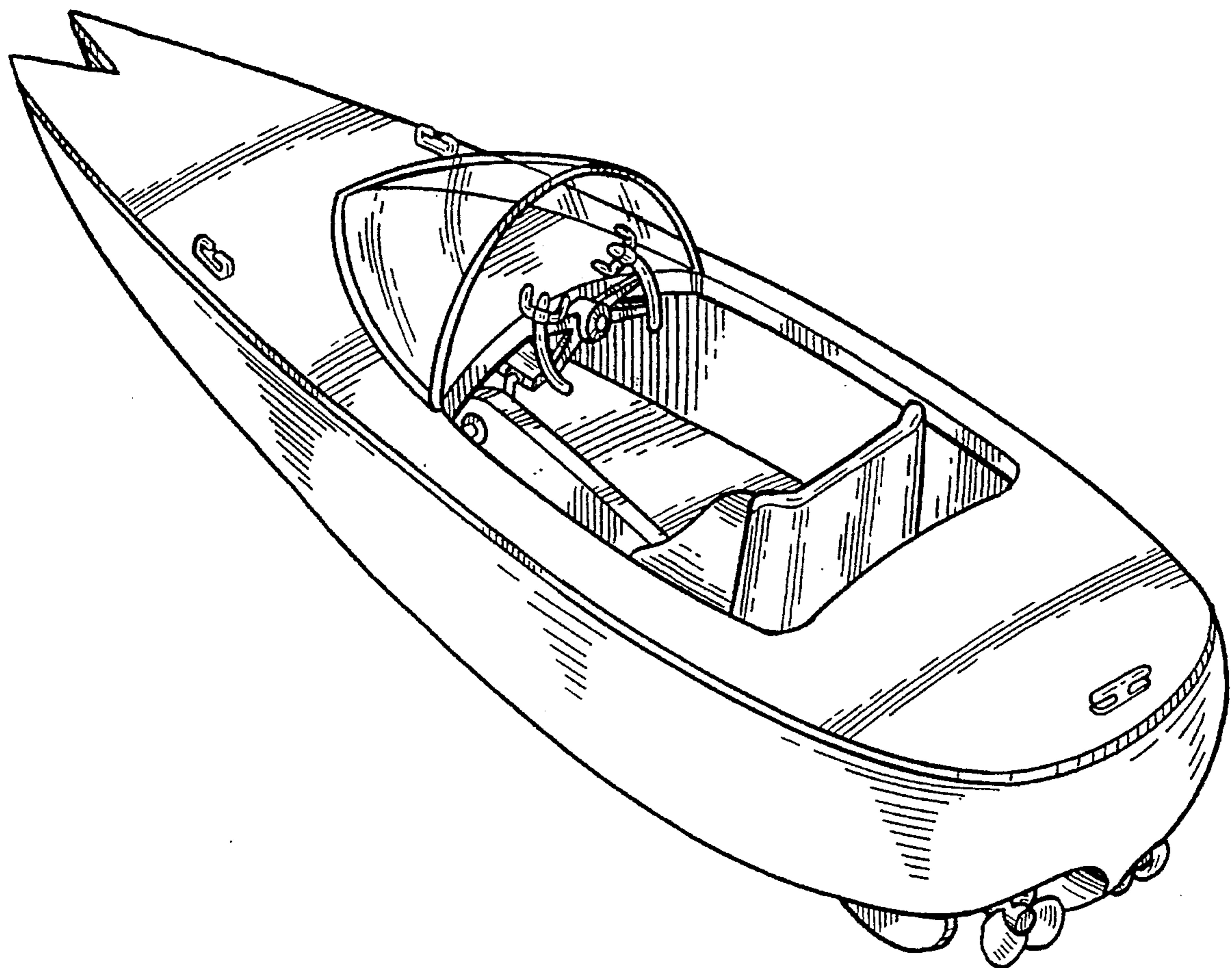
[57] **CLAIM**

The ornamental design for a pedal boat, as shown and described.

DESCRIPTION

FIG. 1 is a rear, top and side perspective view of the pedal boat embodying the design of the present invention; FIG. 2 is a front elevational view thereof; FIG. 3 is a rear elevational view thereof; FIG. 4 is a side elevational view thereof, the opposite side elevational view being identical thereto; FIG. 5 is a top plan view thereof; and, FIG. 6 is a bottom plan view thereof.

1 Claim, 4 Drawing Sheets



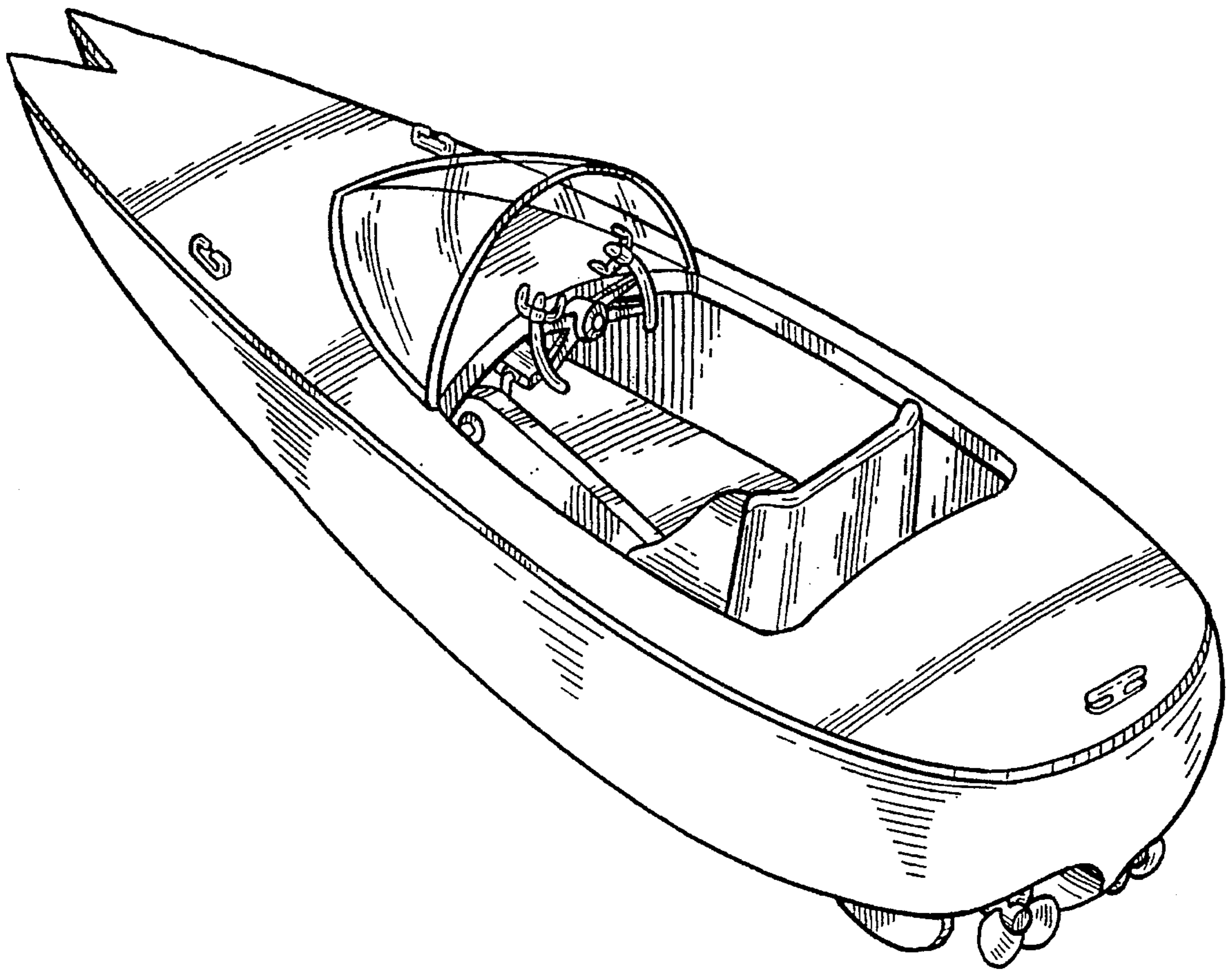


FIG. 1

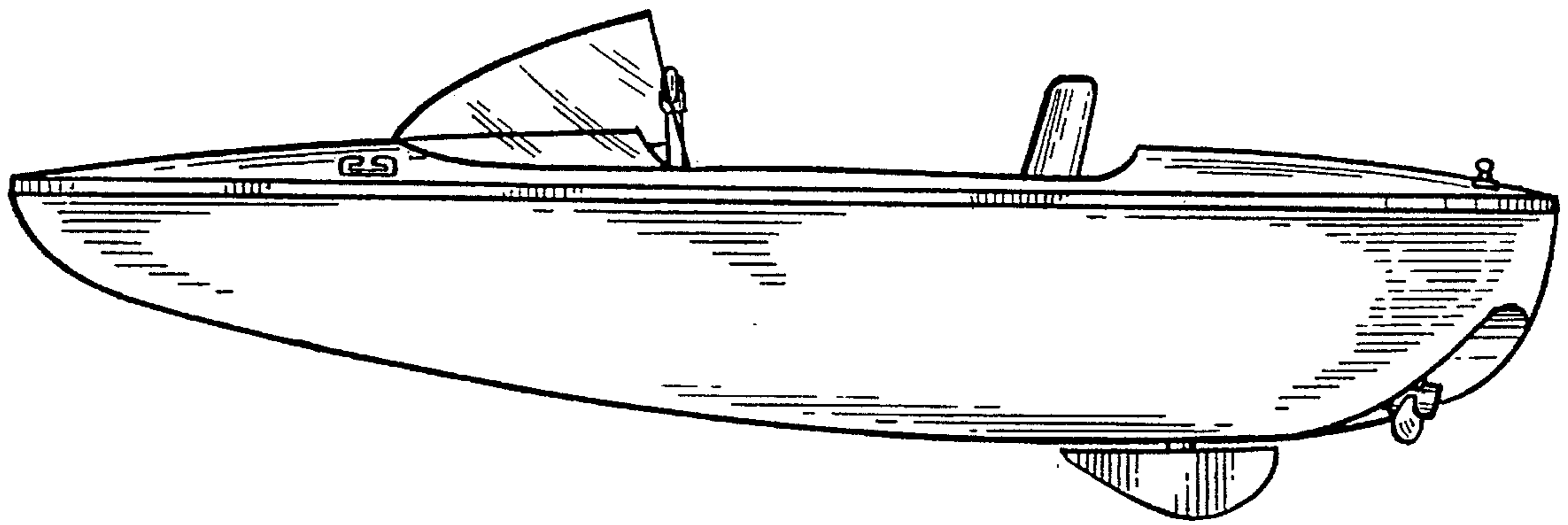


FIG. 2

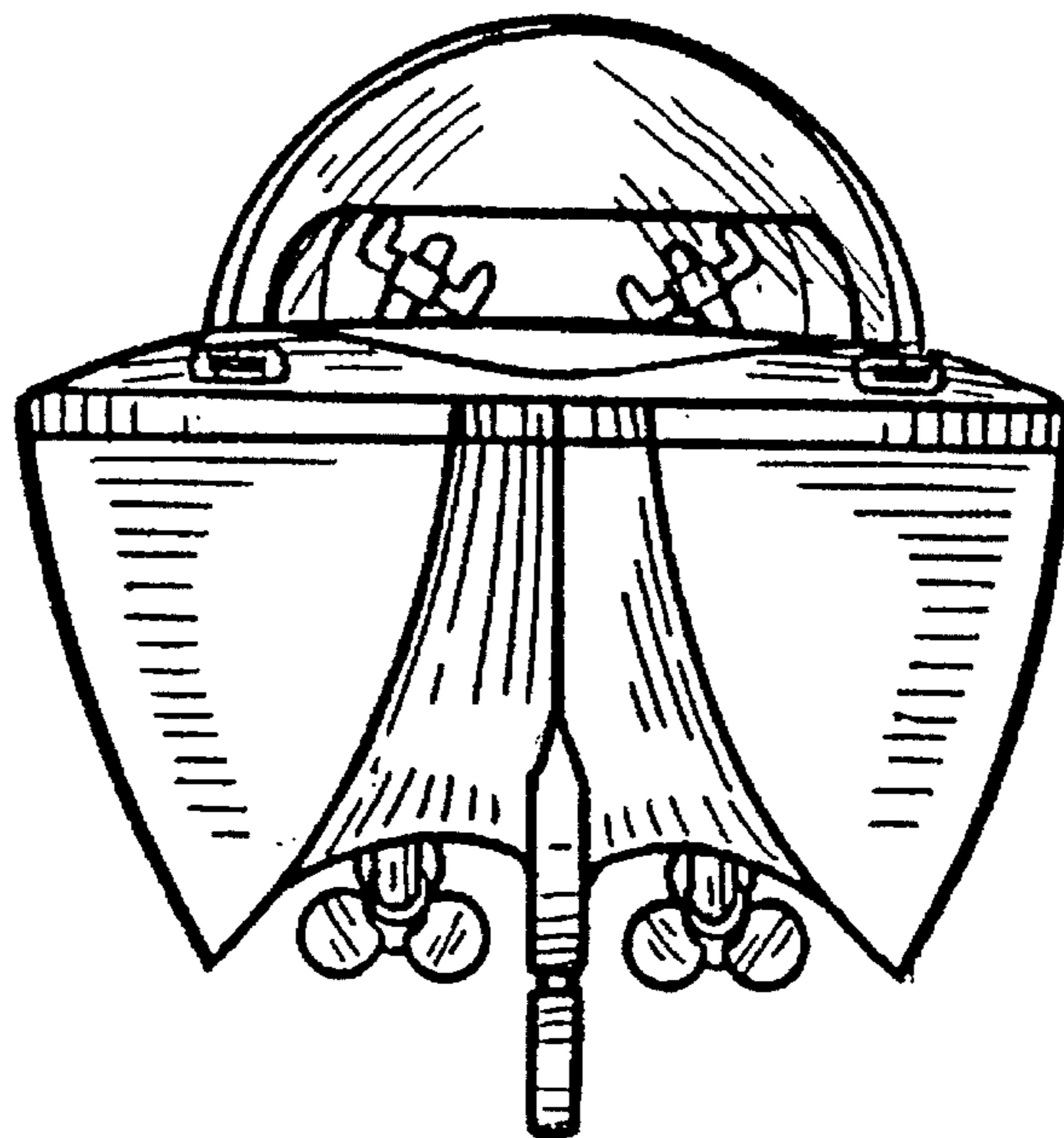


FIG. 3

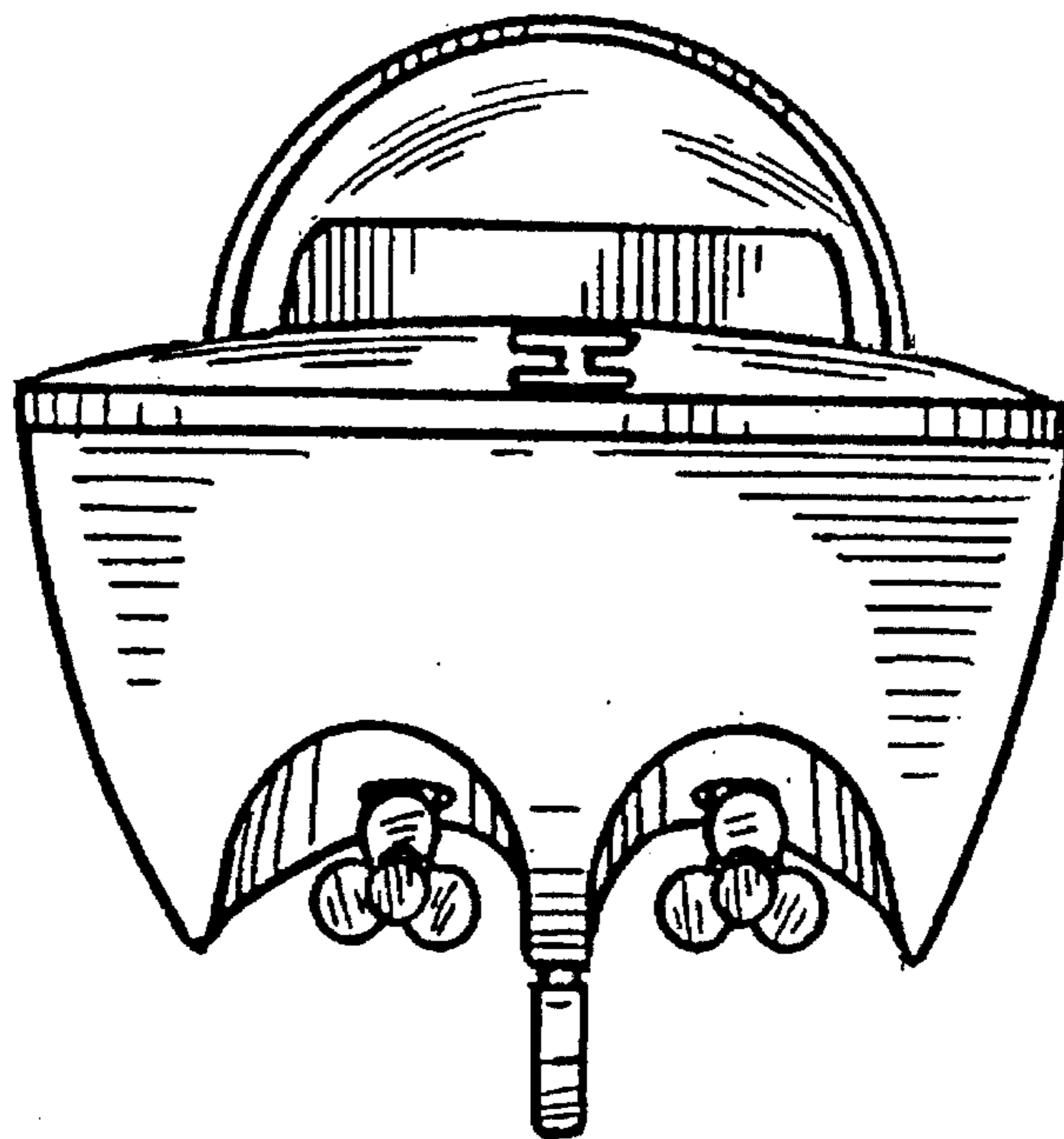


FIG. 4

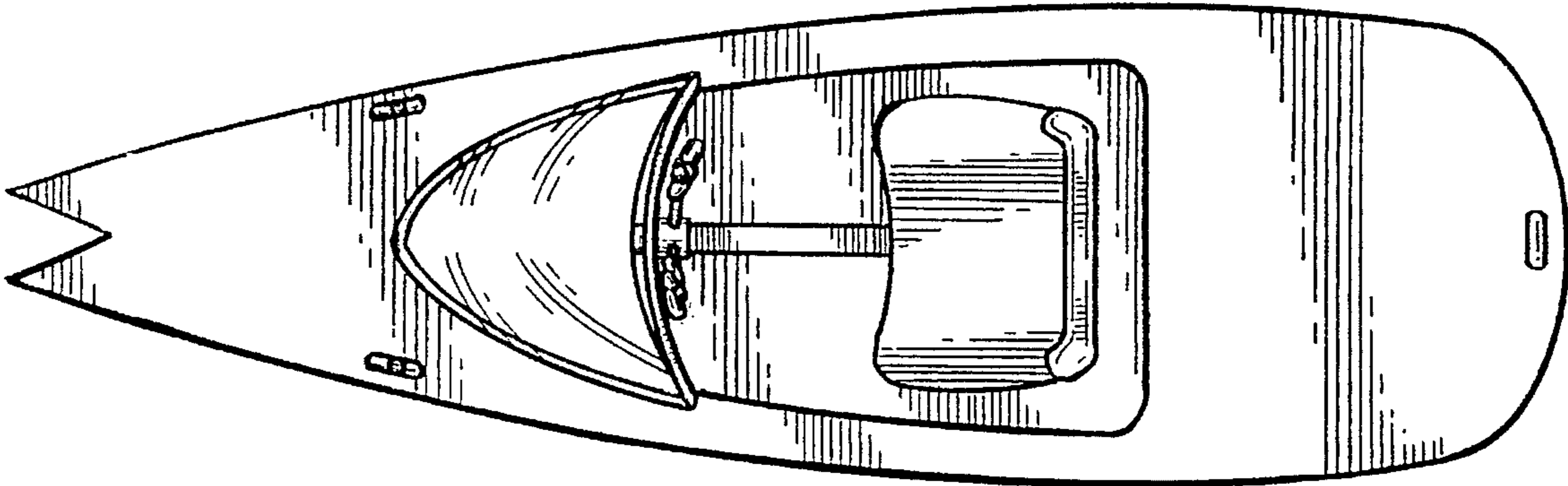


FIG. 5

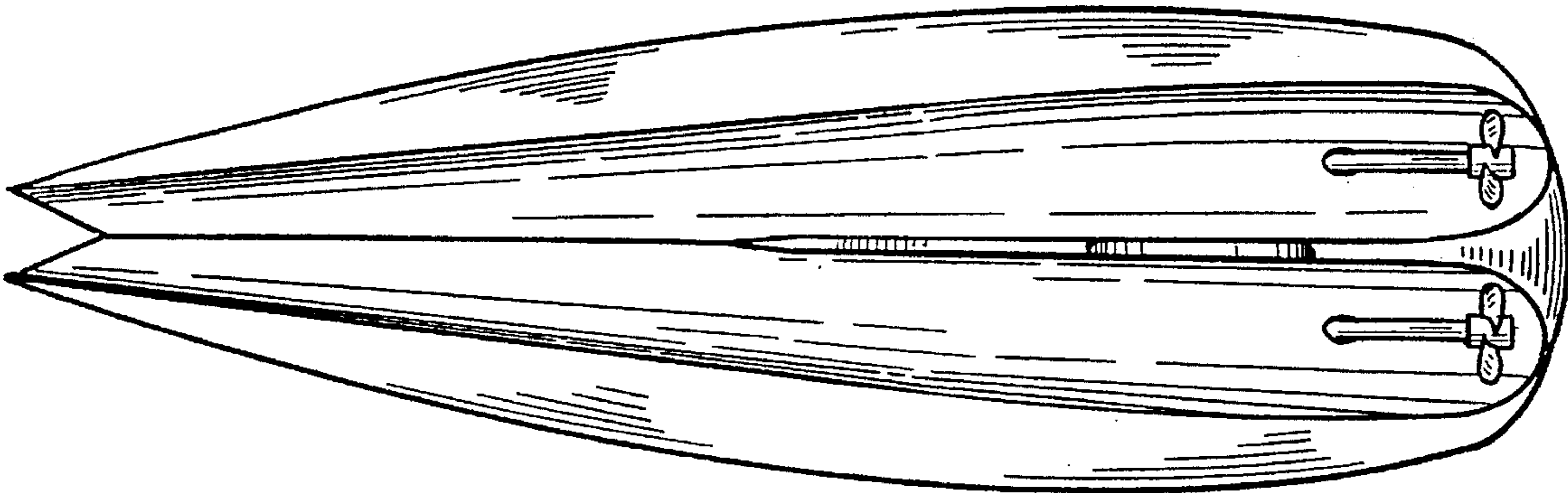


FIG. 6