



US00D370652S

**United States Patent** [19]

[11] **Patent Number: Des. 370,652**

**Londry**

[45] **Date of Patent: \*\*Jun. 11, 1996**

[54] **BICYCLE WHEEL**

*Primary Examiner*—James M. Gandy  
*Attorney, Agent, or Firm*—Harness, Dickey & Pierce

[76] Inventor: **Kelly J. Londry**, 1029 Barton, Apt.  
#108, Ann Arbor, Mich. 48105

[57] **CLAIM**

[\*\*] Term: **14 Years**

The ornamental design for a bicycle wheel, as shown and described.

[21] Appl. No.: **18,553**

**DESCRIPTION**

[22] Filed: **Feb. 9, 1994**

[52] U.S. Cl. .... **D12/209**

[58] Field of Search ..... D12/209; 301/64.1,  
301/64.7, 65

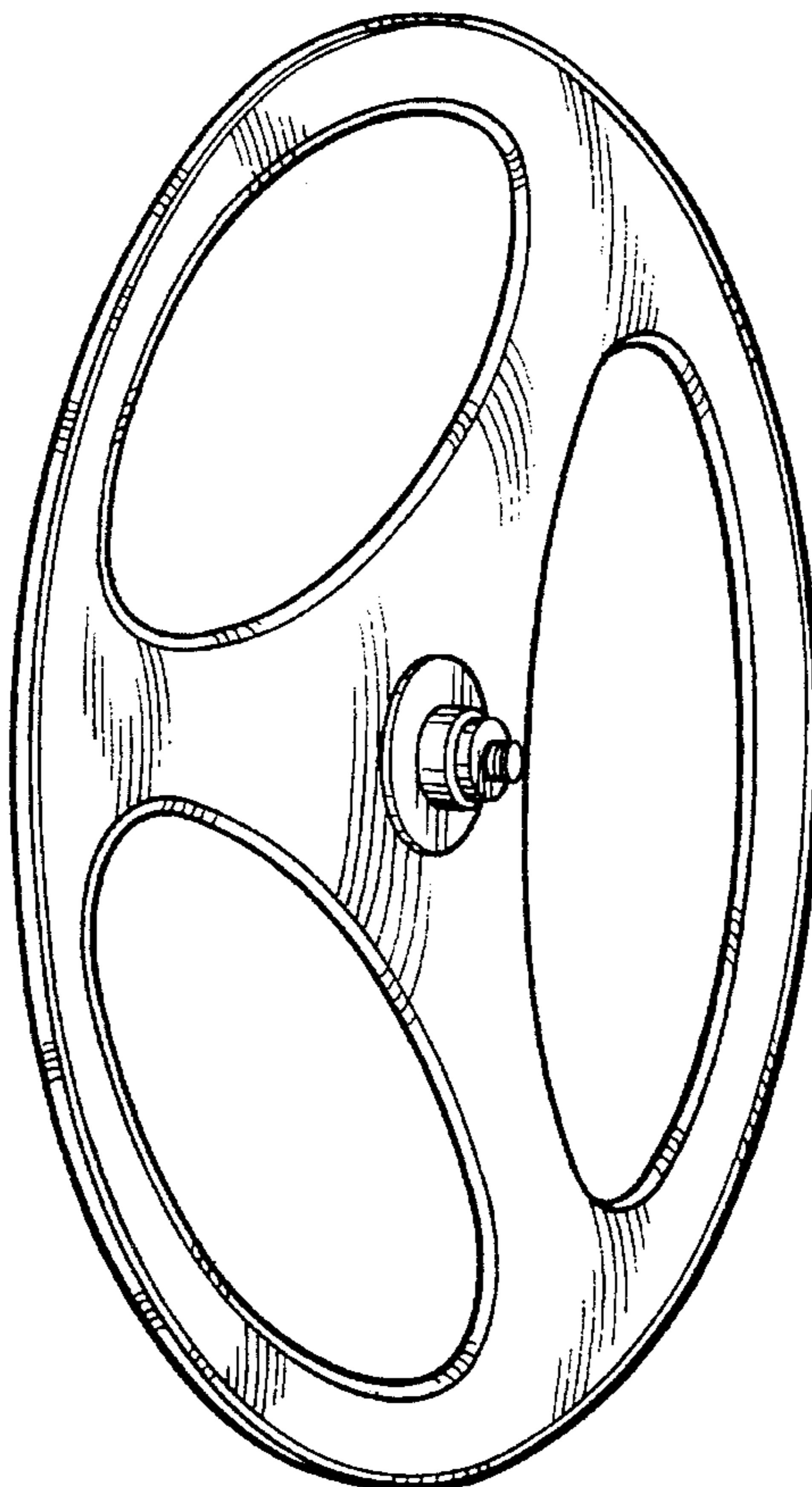
[56] **References Cited**

**U.S. PATENT DOCUMENTS**

|            |         |                       |           |
|------------|---------|-----------------------|-----------|
| D. 303,516 | 9/1989  | Arredondo, Jr. ....   | D12/209   |
| 1,524,806  | 2/1925  | Baker .....           | 301/64.1  |
| 3,862,779  | 1/1975  | Jayne .....           | 301/63 AD |
| 4,046,425  | 9/1977  | Sardinha .....        | 301/12 R  |
| 4,527,839  | 7/1985  | Fujitaka et al. ....  | 301/63 DD |
| 4,588,542  | 5/1986  | Pierce .....          | 264/45.5  |
| 4,639,046  | 1/1987  | Oleff et al. ....     | 301/63 PW |
| 4,732,428  | 3/1988  | Monte .....           | 301/63 DD |
| 4,793,659  | 12/1988 | Oleff et al. ....     | 301/63 PW |
| 4,844,552  | 7/1989  | Tsygankov et al. .... | 301/63 DD |
| 4,919,490  | 4/1990  | Hopkins et al. ....   | 301/63 PW |
| 4,930,843  | 6/1990  | Lewis .....           | 301/63 PW |
| 4,930,844  | 6/1990  | Giroux .....          | 301/63 PW |
| 4,995,675  | 2/1991  | Tsai .....            | 301/63 PW |
| 5,061,013  | 10/1991 | Hed et al. ....       | 301/63 PW |
| 5,184,874  | 2/1993  | Olson et al. ....     | 301/64.7  |

FIG. 1 is a perspective view of a first embodiment of this bicycle wheel according to this invention;  
 FIG. 2 is an elevational view of a first embodiment of a bicycle wheel according to this invention;  
 FIG. 3 is a front view of a first embodiment of a bicycle wheel according to this invention;  
 FIG. 4 is a cross-sectional view taken along line 4—4 of FIG. 2;  
 FIG. 5 is an enlarged cross-sectional view taken along line 5—5 of FIG. 2;  
 FIG. 6 is an enlarged cross-sectional view taken along line 6—6 of FIG. 2;  
 FIG. 7 is a elevational view of a bicycle wheel according to a second embodiment of this invention identical to the first embodiment with the exception of the elimination of a joint line which appears just inside the outer circumference of the wheel on both side surfaces thereof; and,  
 FIG. 8 is an enlarged cross-sectional view taken along line 8—8 of FIG. 7.  
 The side opposite to that shown in FIGS. 2 and 7 is understood to be a mirror image thereof.

**1 Claim, 3 Drawing Sheets**



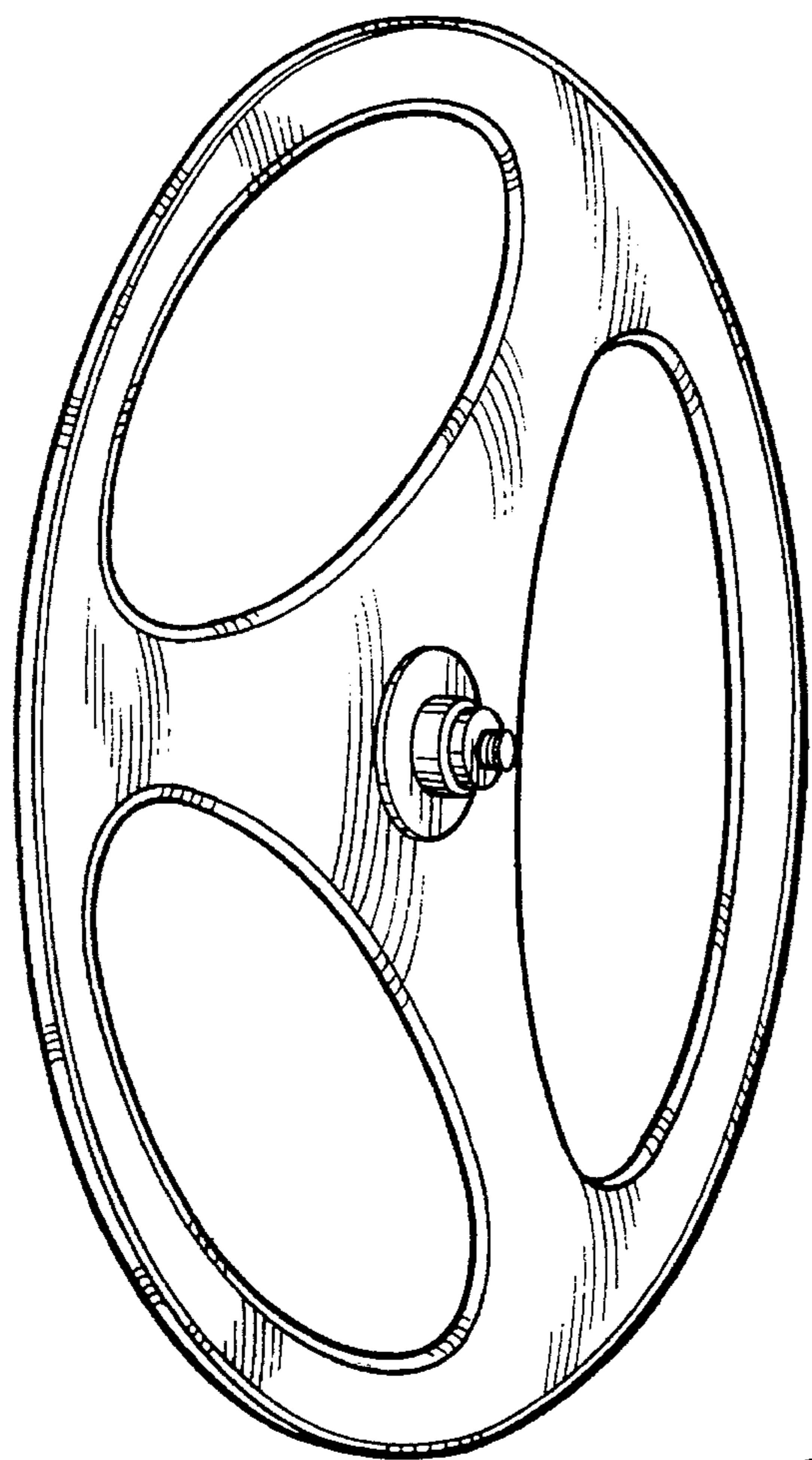


Fig-1

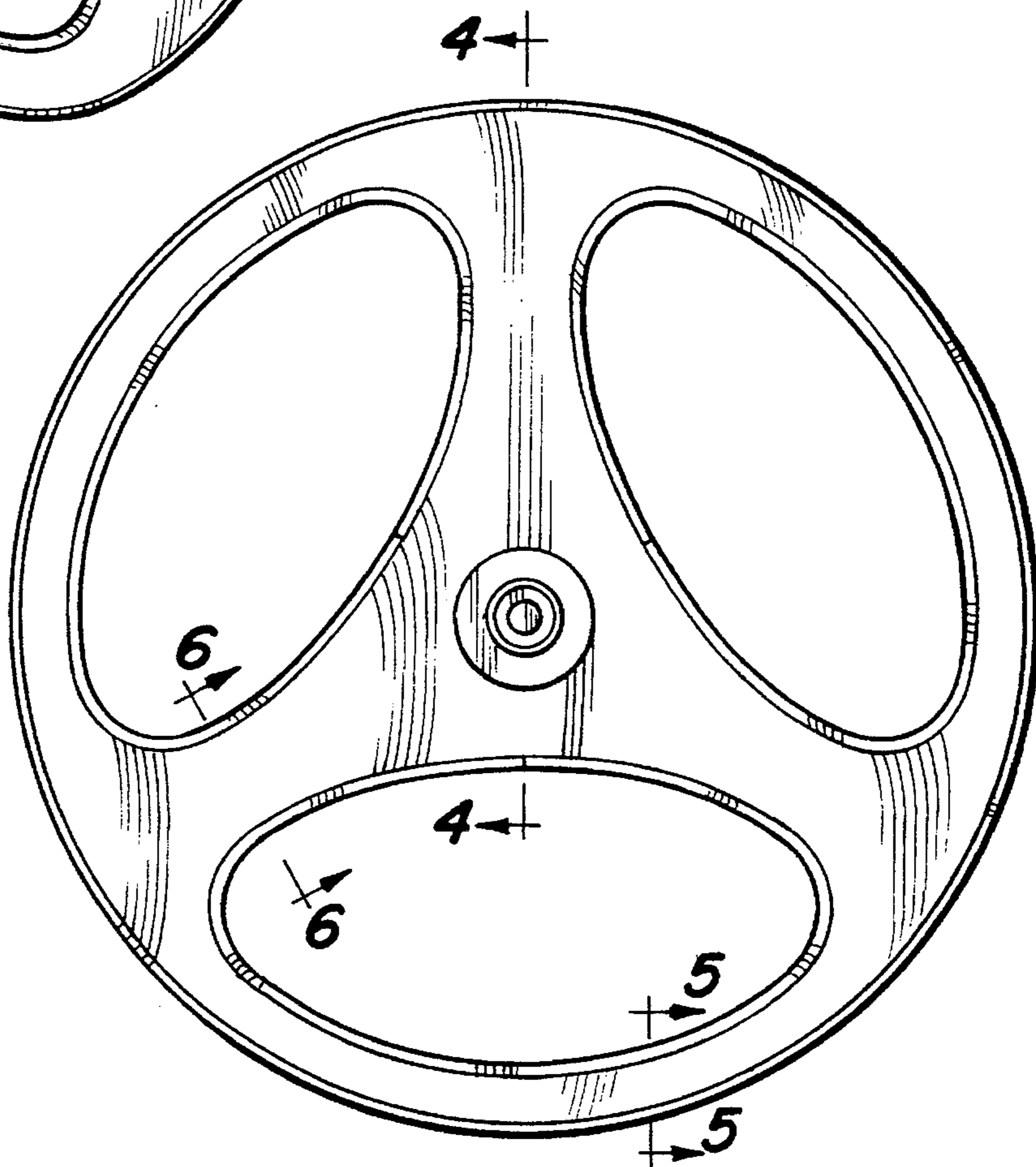


Fig-2

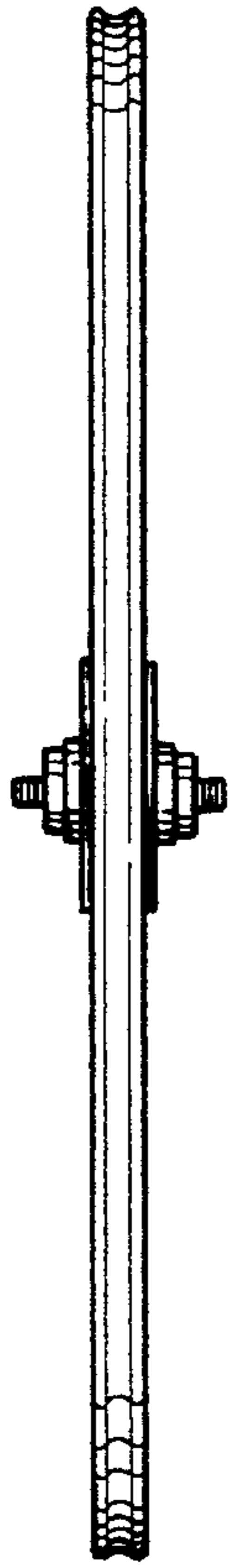


Fig - 3

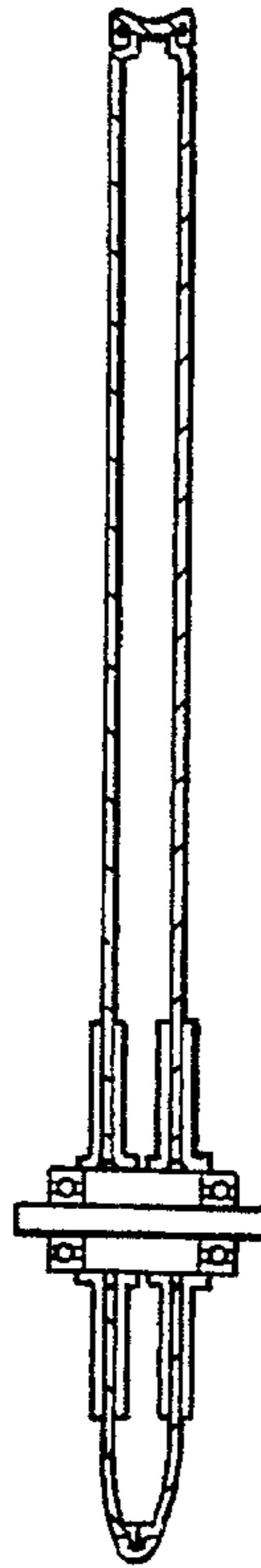


Fig - 4

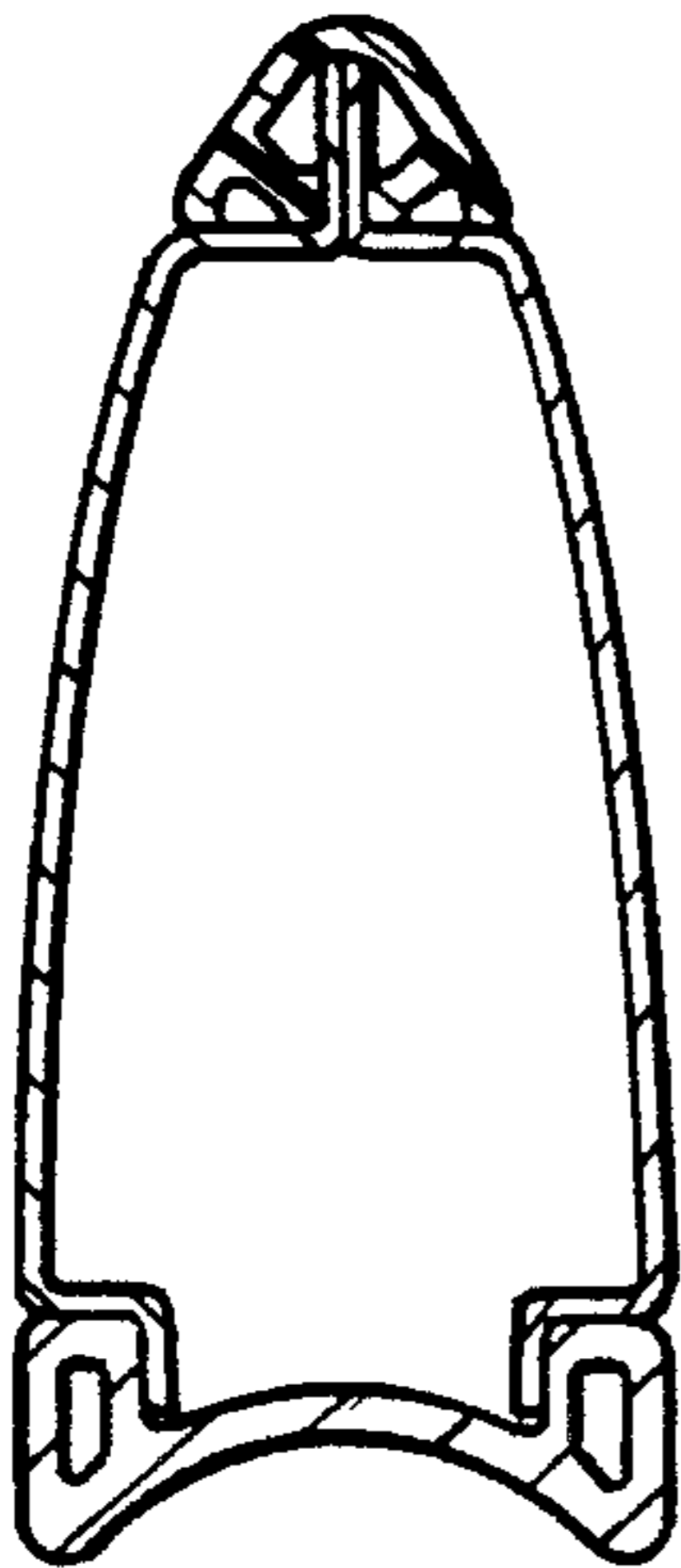


Fig - 5

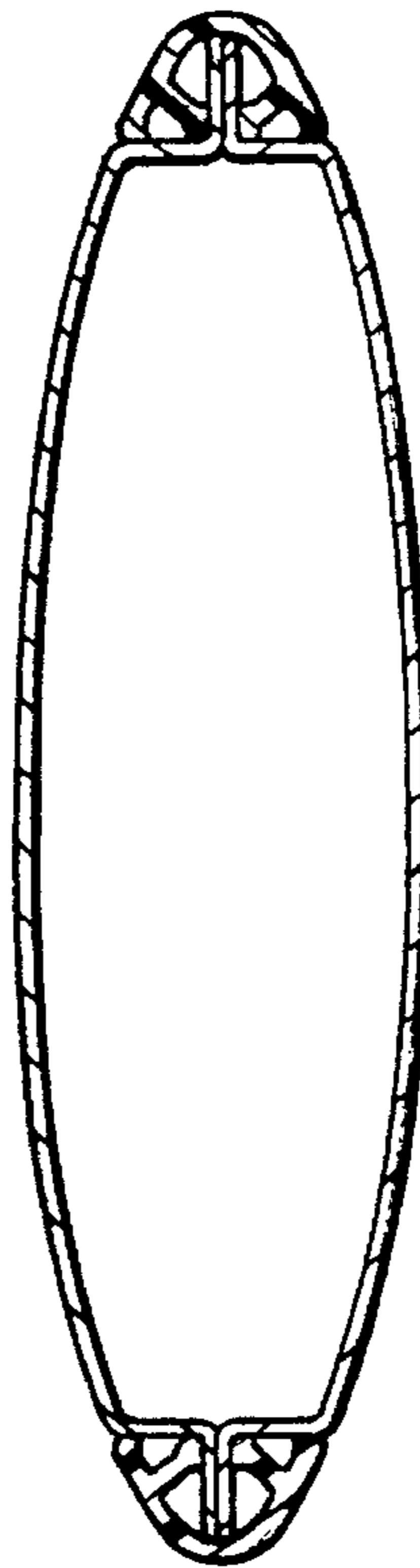


Fig - 6

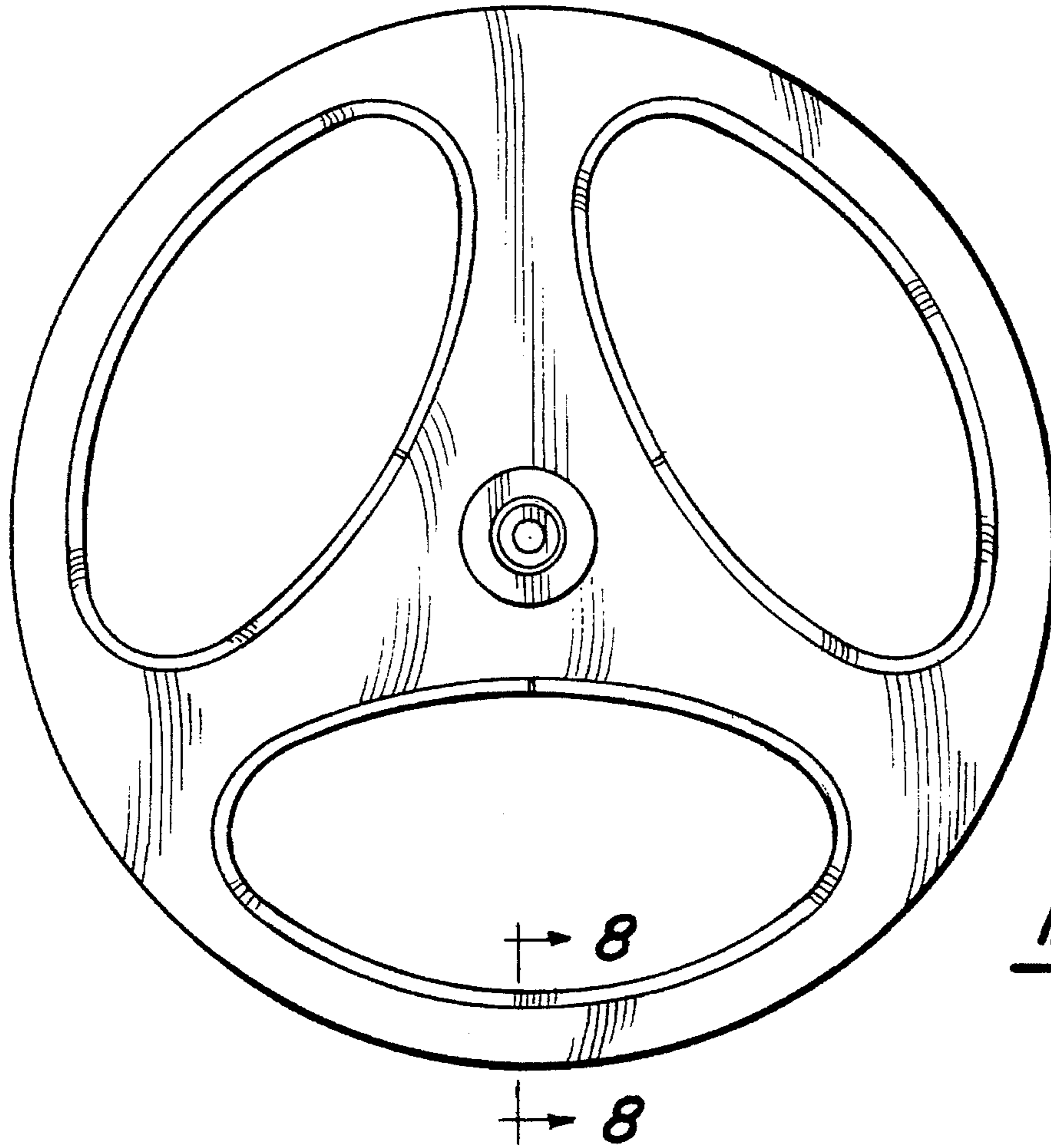


Fig - 7

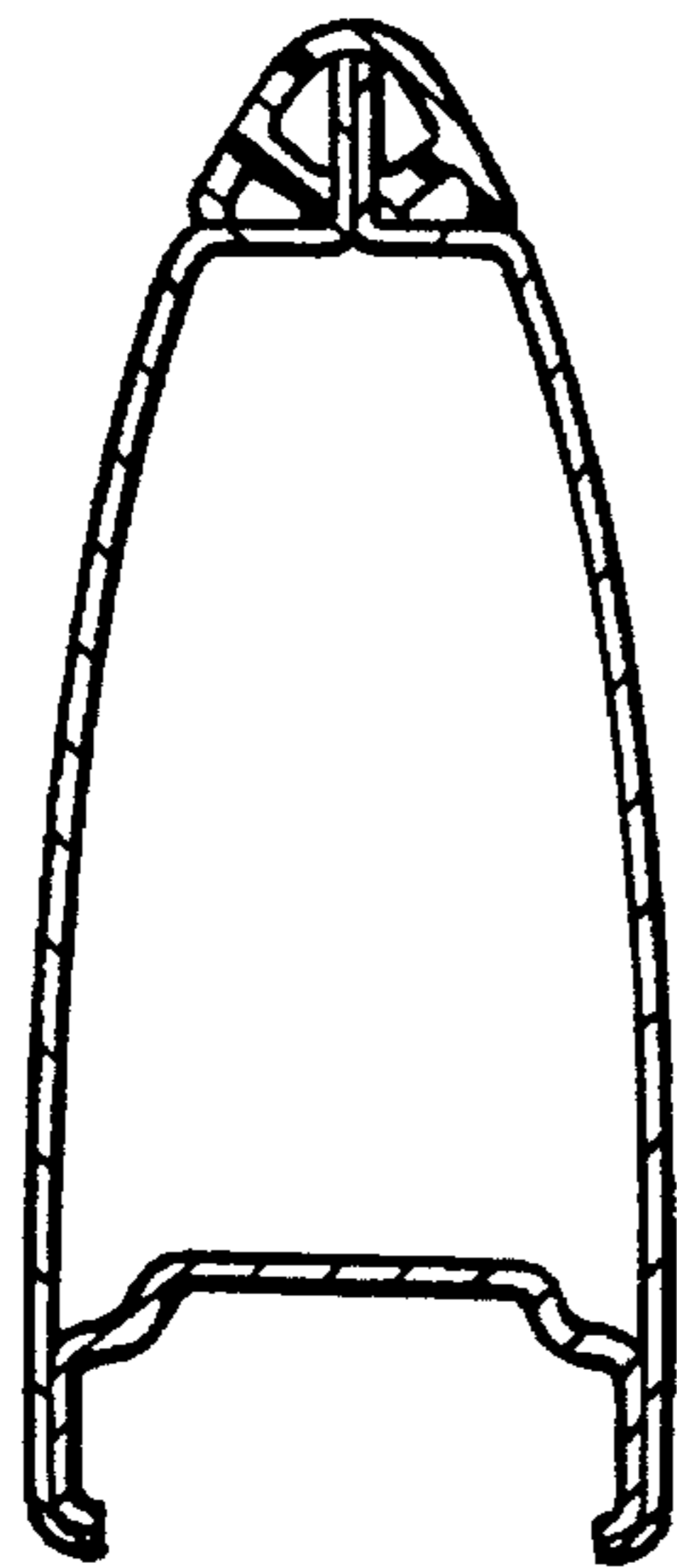


Fig - 8