



US00D370631S

United States Patent [19]

[11] Patent Number: **Des. 370,631**

Zemlo et al.

[45] Date of Patent: ***** Jun. 11, 1996**

[54] **CLOSURE**

[75] Inventors: **Bridgett Zemlo**, West Chicago; **Len Ekkert**, Lemont, both of Ill.

[73] Assignee: **Phoenix Closures, Inc.**, Naperville, Ill.

[*] Notice: The portion of the term of this patent subsequent to Mar. 2, 2009, has been disclaimed.

[**] Term: **14 Years**

[21] Appl. No.: **35,597**

[22] Filed: **Mar. 2, 1995**

[52] U.S. Cl. **D9/453**; D9/452

[58] Field of Search D7/510-511, 622, D7/629, 667; D8/312; D9/434-6, 440, 442-5, 447, 450, 452-4, 456; 141/322; 215/214, 235, 320-1, 328, 355; 220/288, 374, 711; 222/189, 454, 541

[56] **References Cited**

U.S. PATENT DOCUMENTS

D. 34,169	3/1901	Bertels	D9/449
D. 49,120	5/1916	Hoffman	D9/454
D. 59,597	11/1921	Hyatt	D9/452
D. 145,011	6/1946	Derham	D9/453
D. 153,956	5/1949	Lay	D9/453

D. 155,298	9/1949	Falce	D9/439
D. 160,448	10/1950	Waite	D9/447
D. 233,138	10/1974	Vogel	D9/453
D. 250,467	12/1978	O'Banion	D9/450
D. 253,289	10/1979	Kato	D8/312
D. 279,596	7/1985	Rademacher	D8/312
D. 290,323	6/1987	Weermink	D7/511
D. 337,697	7/1993	Giugiaro	D7/629

Primary Examiner—Alan P. Douglas
Assistant Examiner—Robert M. Spear
Attorney, Agent, or Firm—Welsh & Katz, Ltd.

[57] **CLAIM**

The ornamental design for a closure, as shown and described.

DESCRIPTION

FIG. 1 is a perspective view of a closure of the subject invention;
FIG. 2 is a side plan view of the closure of the subject invention, the opposite side being identical;
FIG. 3 is a top plan view of the closure of the subject invention; and,
FIG. 4 is a bottom plan view of the closure of the subject invention.

The broken line showing of a portion of a container in FIGS. 1 & 2 and of the threads of the cap in FIG. 4 is for illustrative purposes only forms no part of the claimed design.

1 Claim, 1 Drawing Sheet

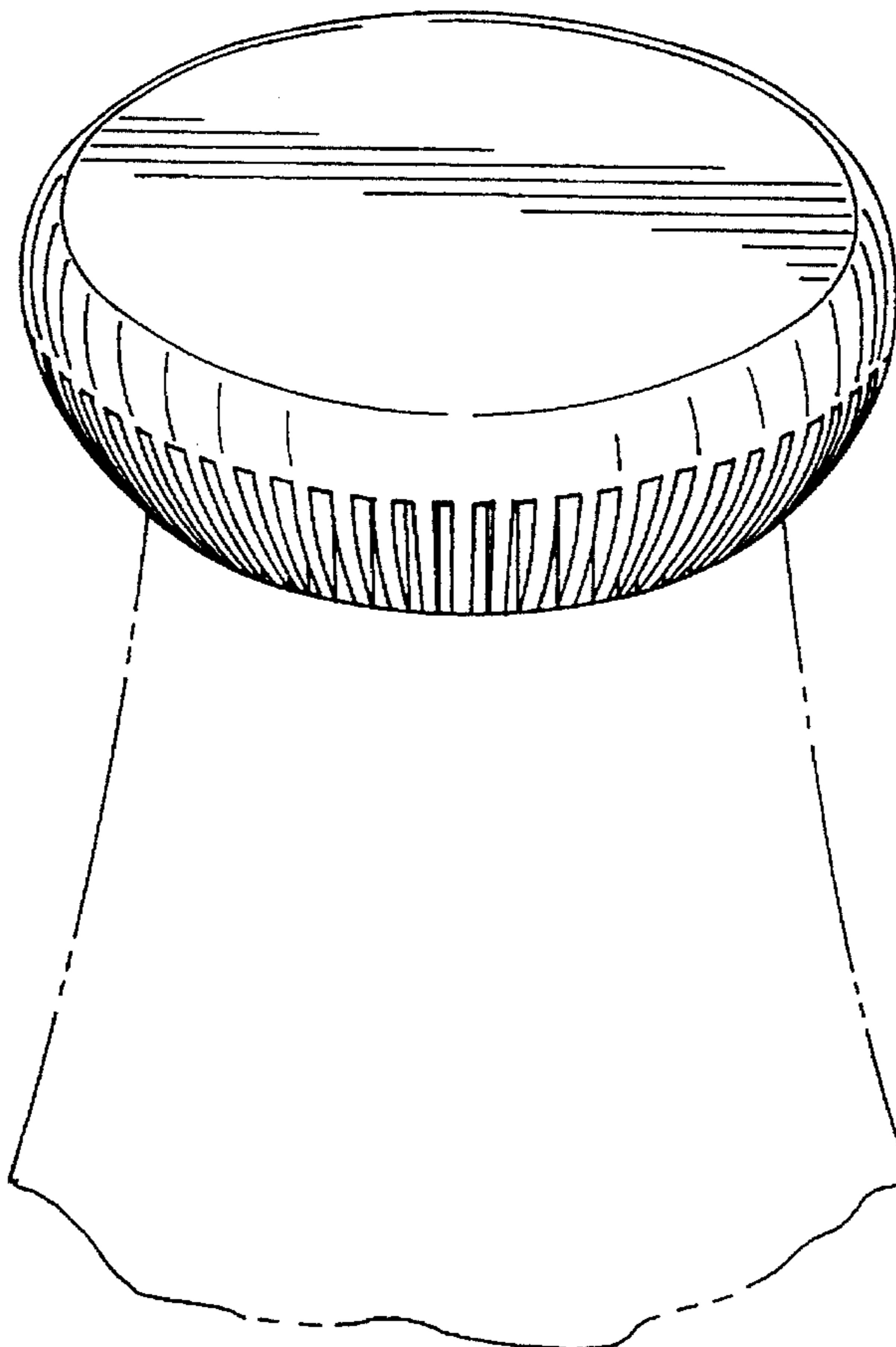


FIG. 1

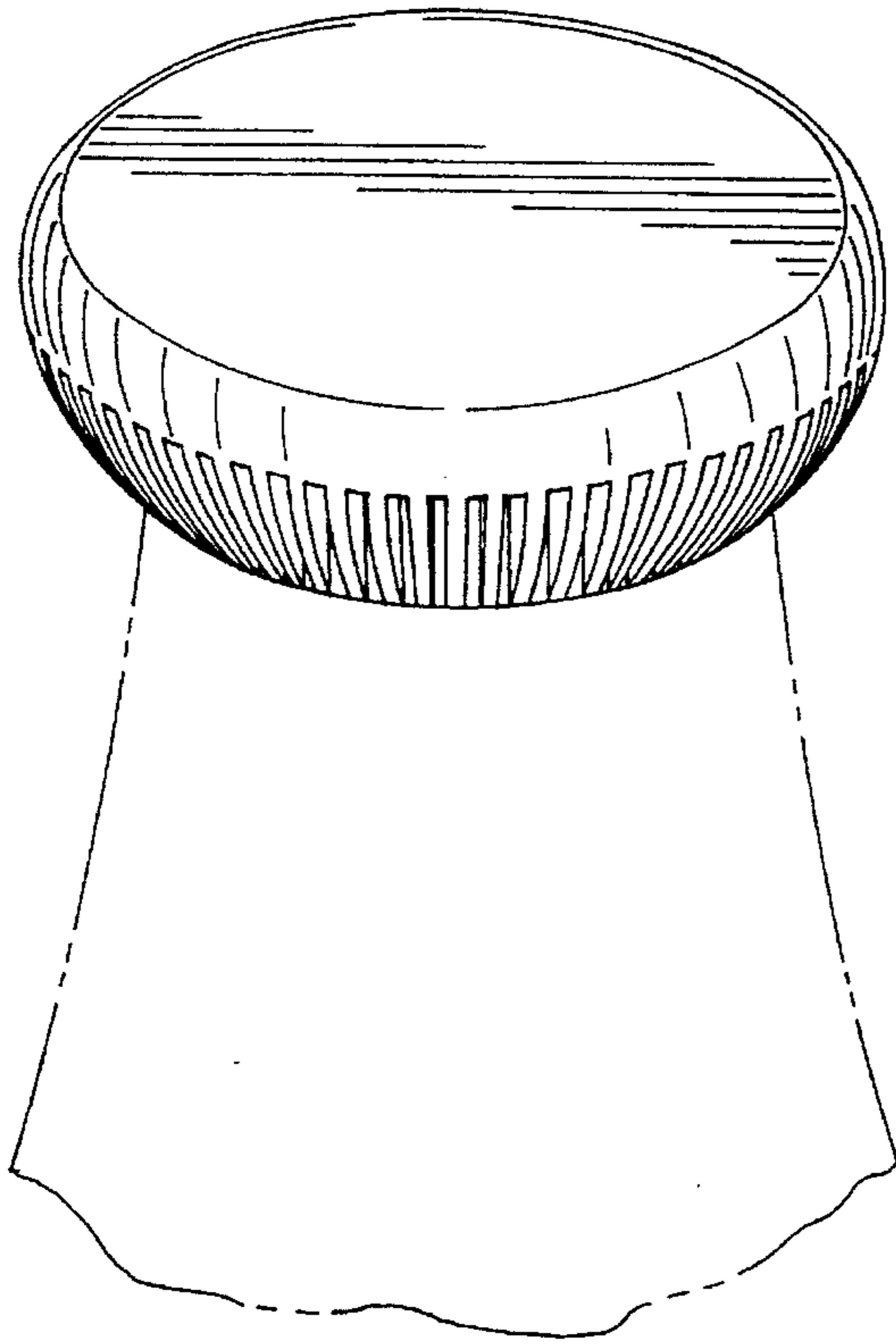


FIG. 2

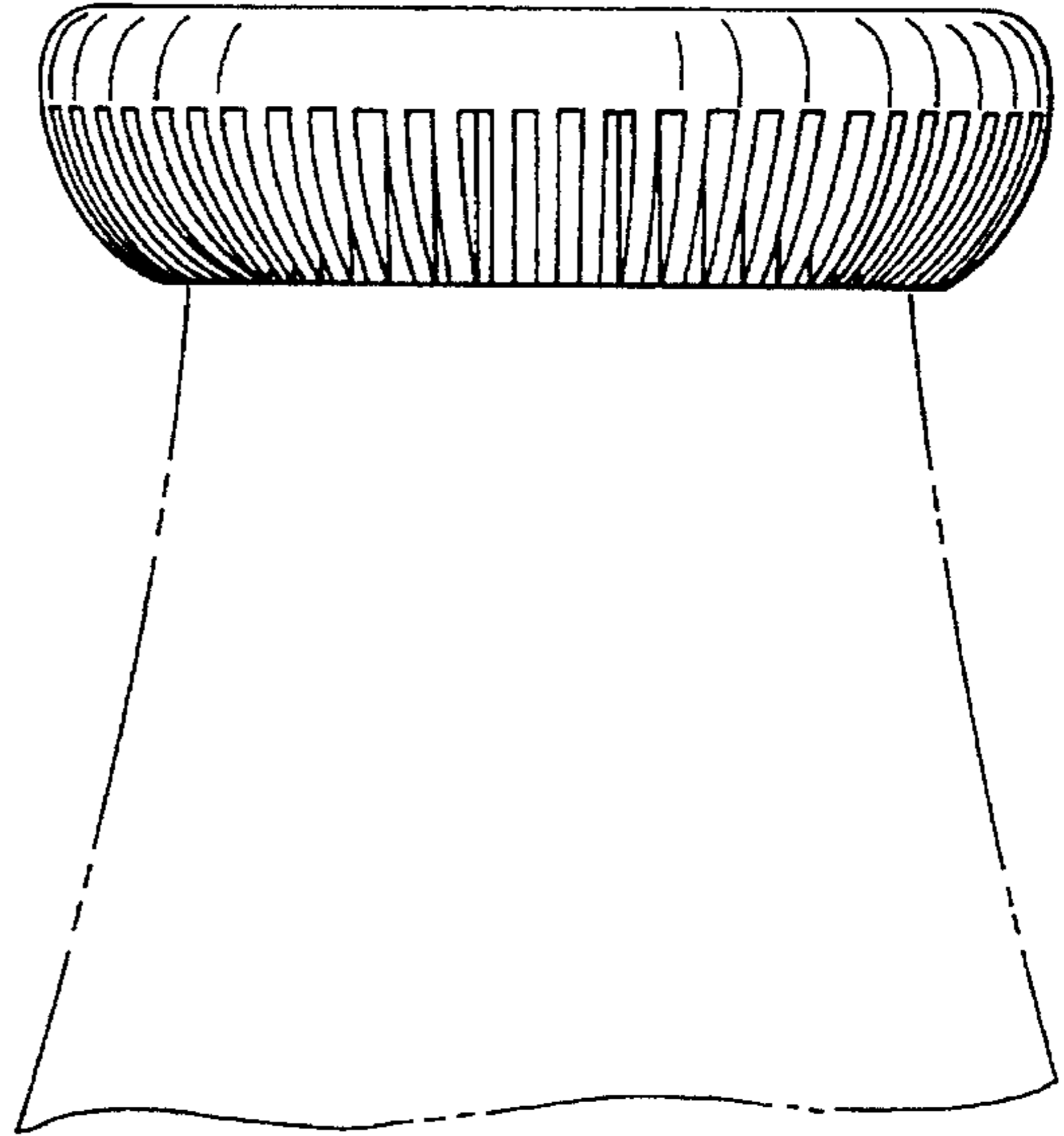


FIG. 3

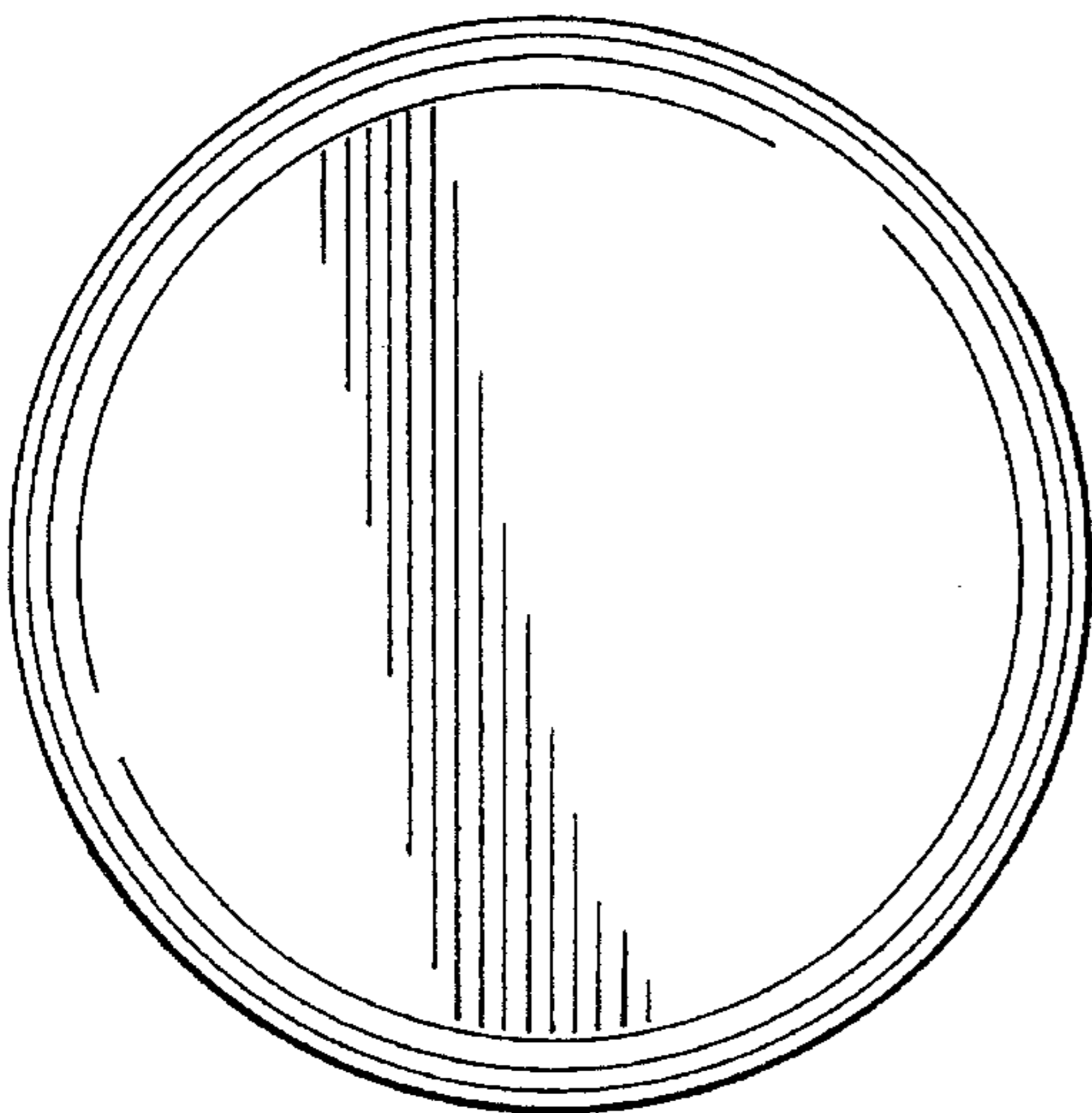


FIG. 4

