



US00D370629S

United States Patent [19] Lynch

[11] **Patent Number: Des. 370,629**

[45] **Date of Patent: **Jun. 11, 1996**

[54] **CORE CAP**
[75] Inventor: **Gregg M. Lynch**, Lancaster, Canada
[73] Assignee: **Buddy L. Canada Inc.**, Montreal, Canada
[**] Term: **14 Years**

3,363,799 1/1968 Zurcher et al. 220/352
3,627,220 12/1971 Vogel 242/613.5
4,407,428 10/1983 Stone 72/348 X
5,271,258 12/1993 Bernier et al. 72/348

Primary Examiner—A. Hugo Word
Assistant Examiner—Holly Baynham
Attorney, Agent, or Firm—Rosen, Dainow & Jacobs

[21] Appl. No.: **25,164**
[22] Filed: **Jun. 28, 1994**

[57] **CLAIM**

The ornamental design for a core cap, as shown and described.

[30] **Foreign Application Priority Data**

DESCRIPTION

Mar. 28, 1994 [CA] Canada 1994-0597
[52] **U.S. Cl.** **D9/439**
[58] **Field of Search** D8/358; 206/415-416;
53/410; 242/608, 614, 614.1, 613.5; 72/348-349,
708; D9/442, 445, 439; 220/352, 353, 356

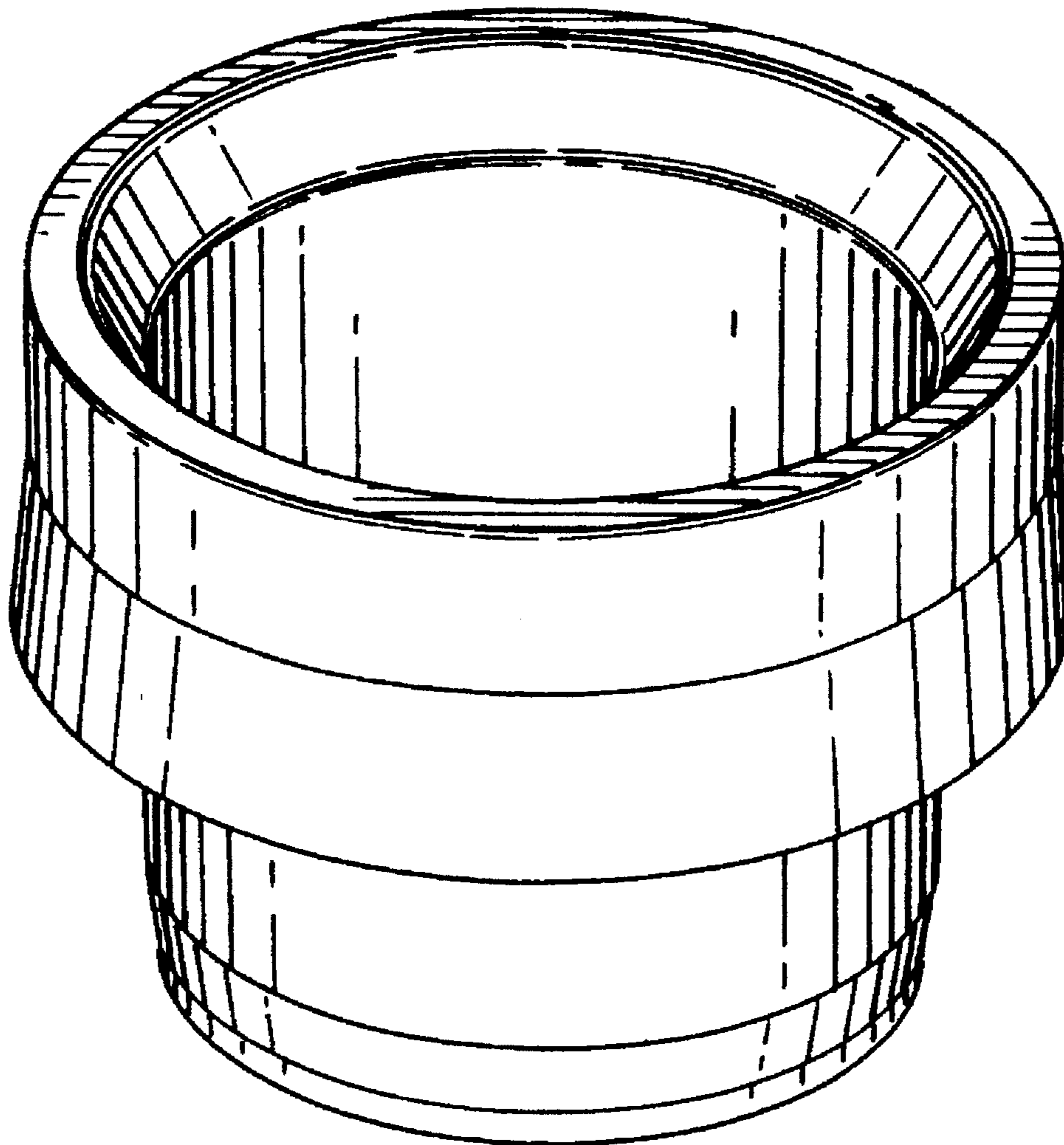
FIG. 1 is a perspective view of a core cap showing my new design;
FIG. 2 is a side elevation thereof with the opposite sides being mirror images thereof;
FIG. 3 is a top plan view thereof;
FIG. 4 is a cross-sectional view taken along line 4—4 of FIG. 3; and,
FIG. 5 is a bottom plan view thereof.

[56] **References Cited**

U.S. PATENT DOCUMENTS

1,651,705 12/1927 Hill 242/611.2
2,266,494 12/1941 Adams 242/613.5

1 Claim, 2 Drawing Sheets



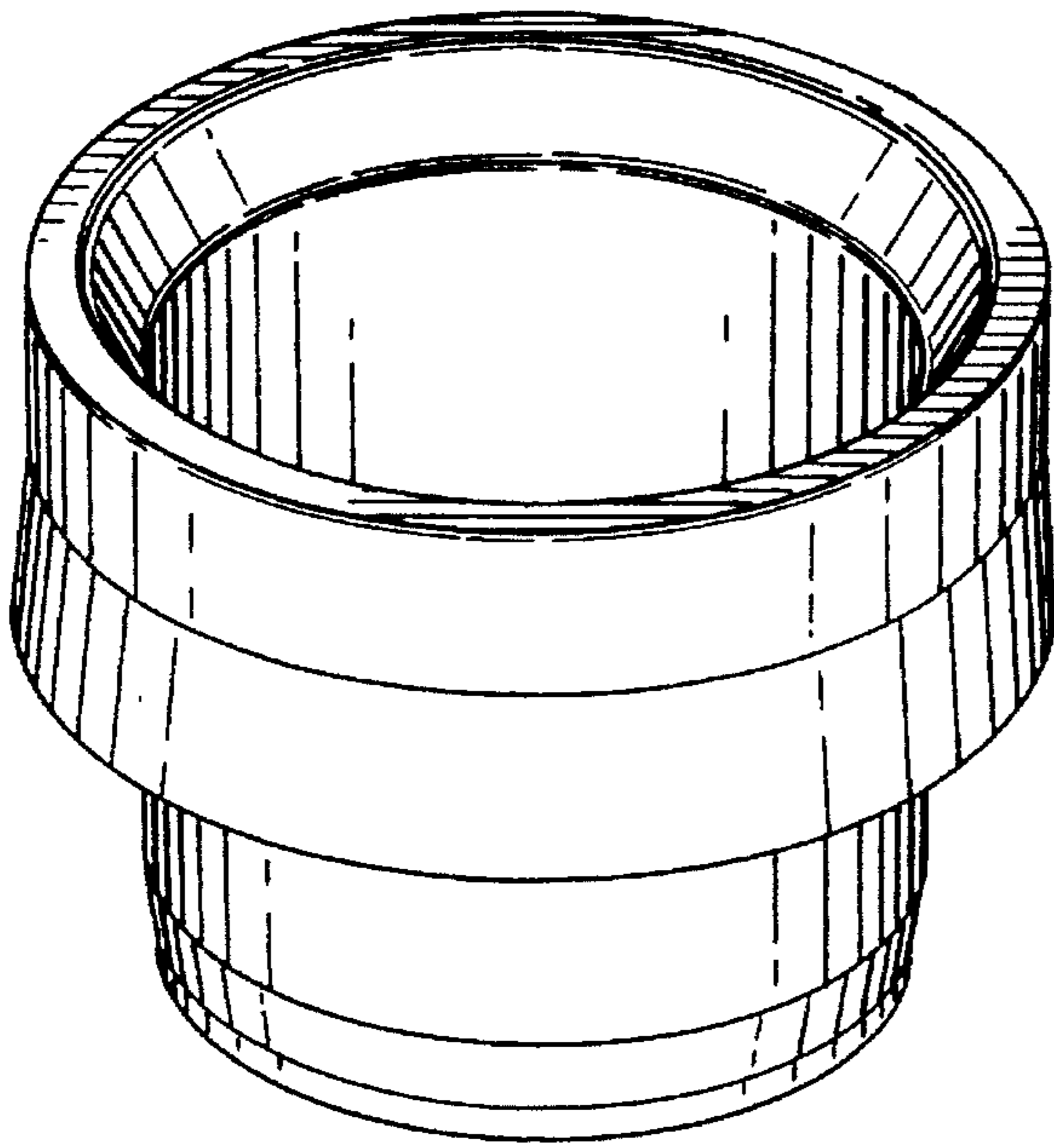


Fig. 1

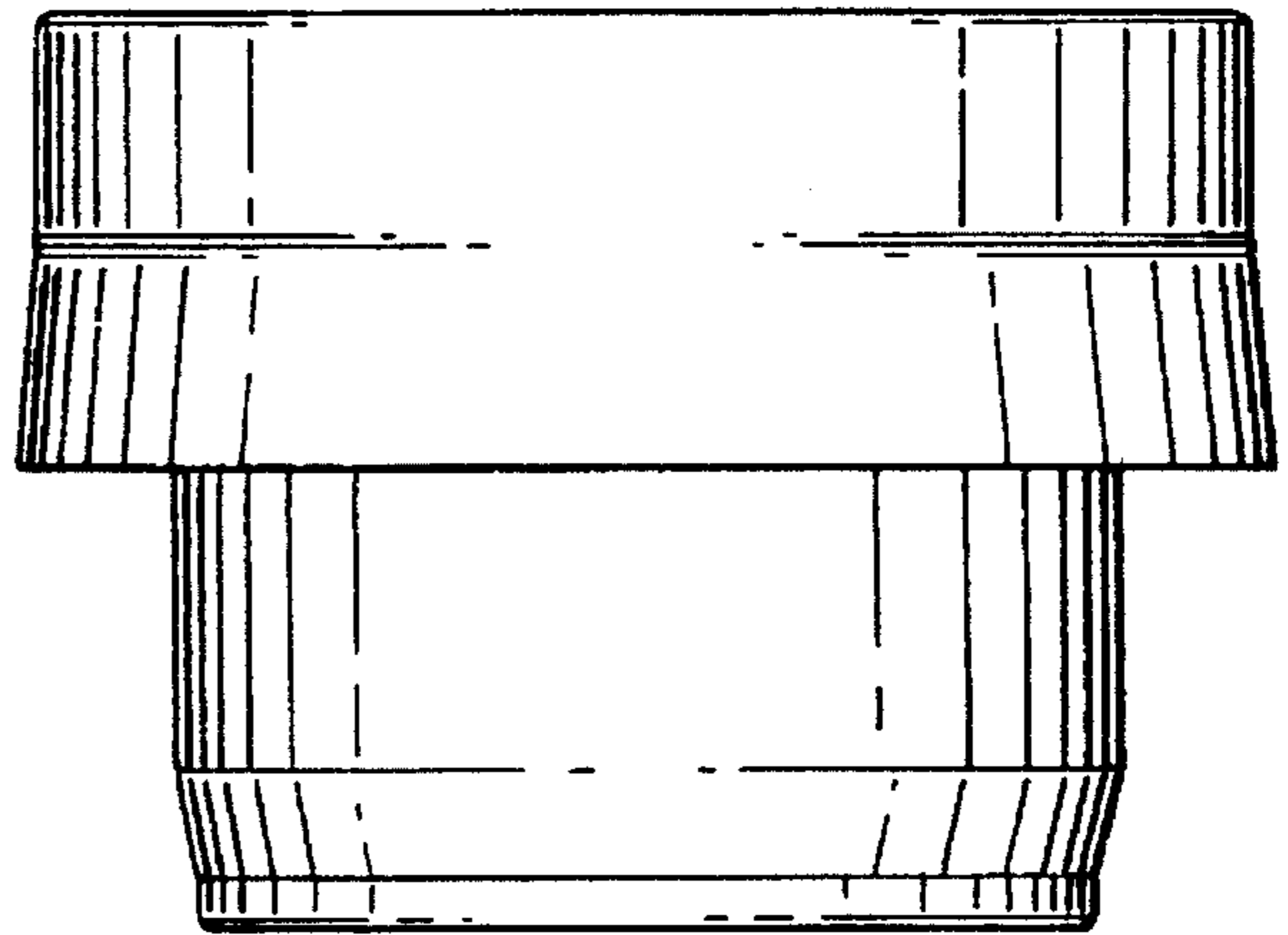


Fig. 2

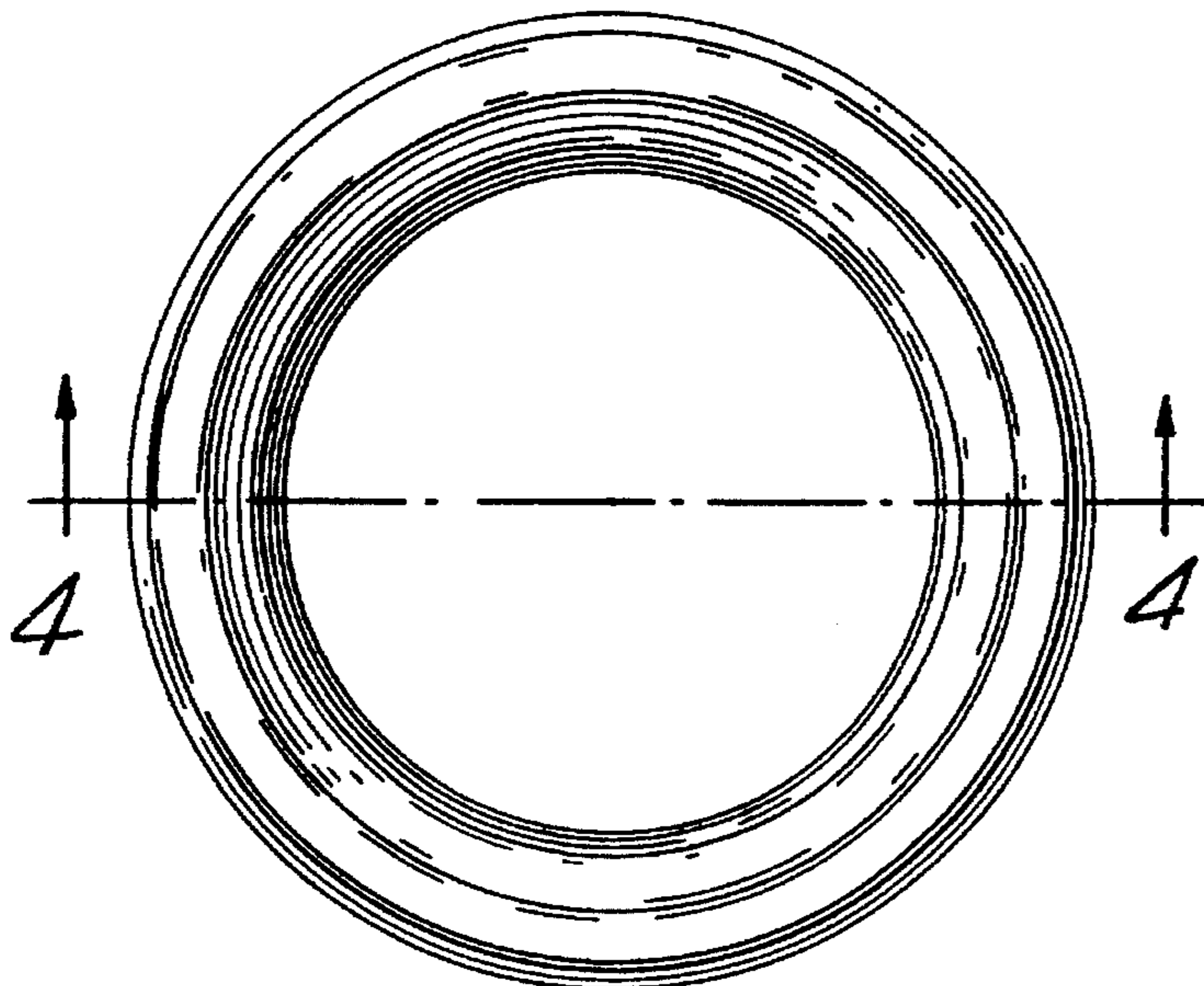


Fig. 3

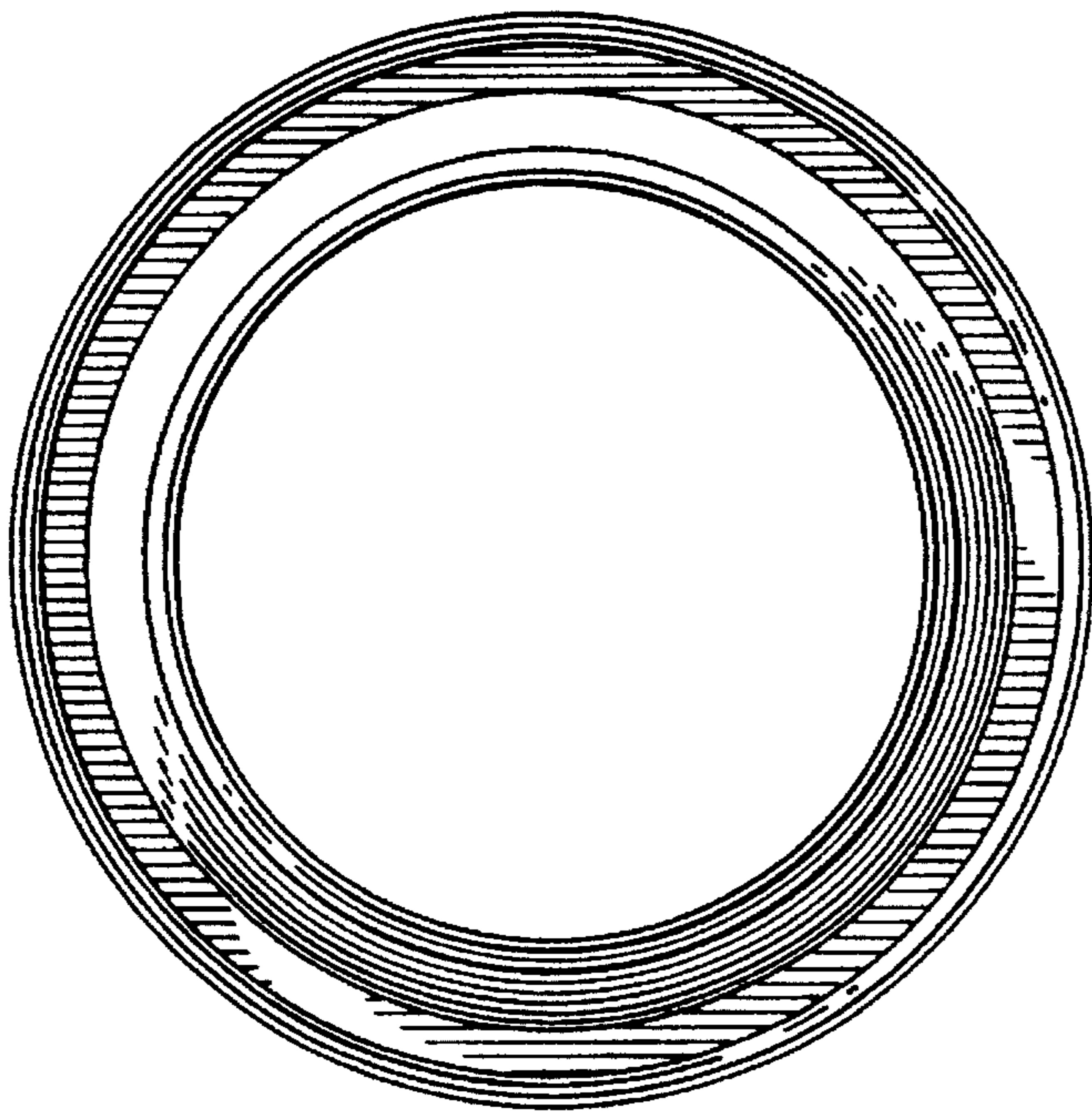


Fig. 5

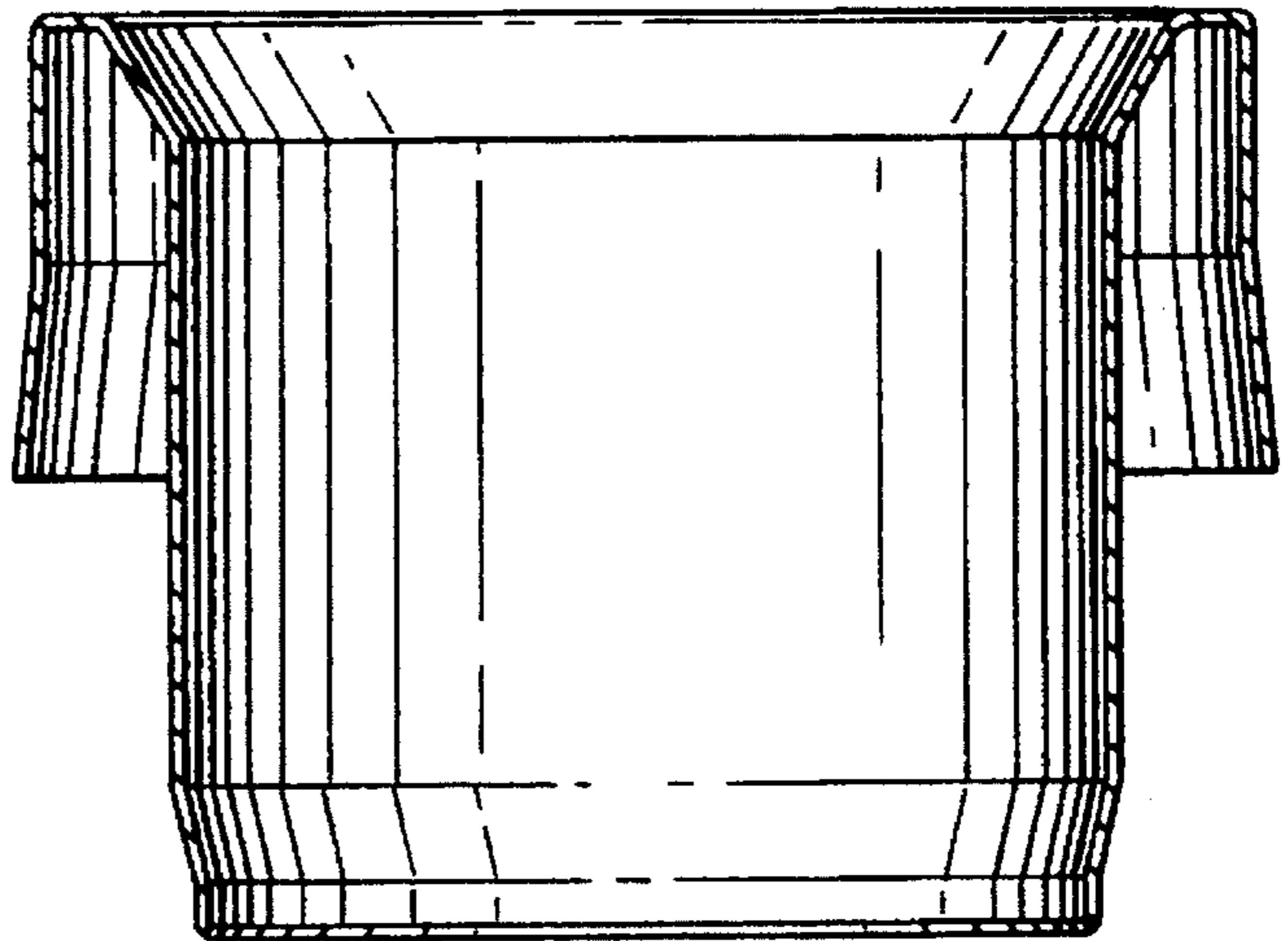


Fig. 4