



US00D370627S

**United States Patent** [19]  
**Clark**

[11] **Patent Number: Des. 370,627**

[45] **Date of Patent: \*\*Jun. 11, 1996**

[54] **GARMENT BOX**

4,098,399 7/1978 Bethune et al. .... 206/806 X

[76] Inventor: **Dean Clark**, 175 E. Roosevelt St.,  
Riverton, Wyo. 82501

*Primary Examiner*—Prabhakar G. Deshmukh  
*Assistant Examiner*—Cheri Cohen  
*Attorney, Agent, or Firm*—Lewis E. Massie

[\*\*] Term: **14 Years**

[57] **CLAIM**

[21] Appl. No.: **19,588**

The ornamental design for a garment box, as shown and described.

[22] Filed: **Mar. 7, 1994**

[52] U.S. Cl. .... **D9/423; D9/432**

[58] **Field of Search** ..... D9/305, 415, 414,  
D9/420, 423, 432, 341, 345; 206/466, 461,  
806; 229/111, 112

**DESCRIPTION**

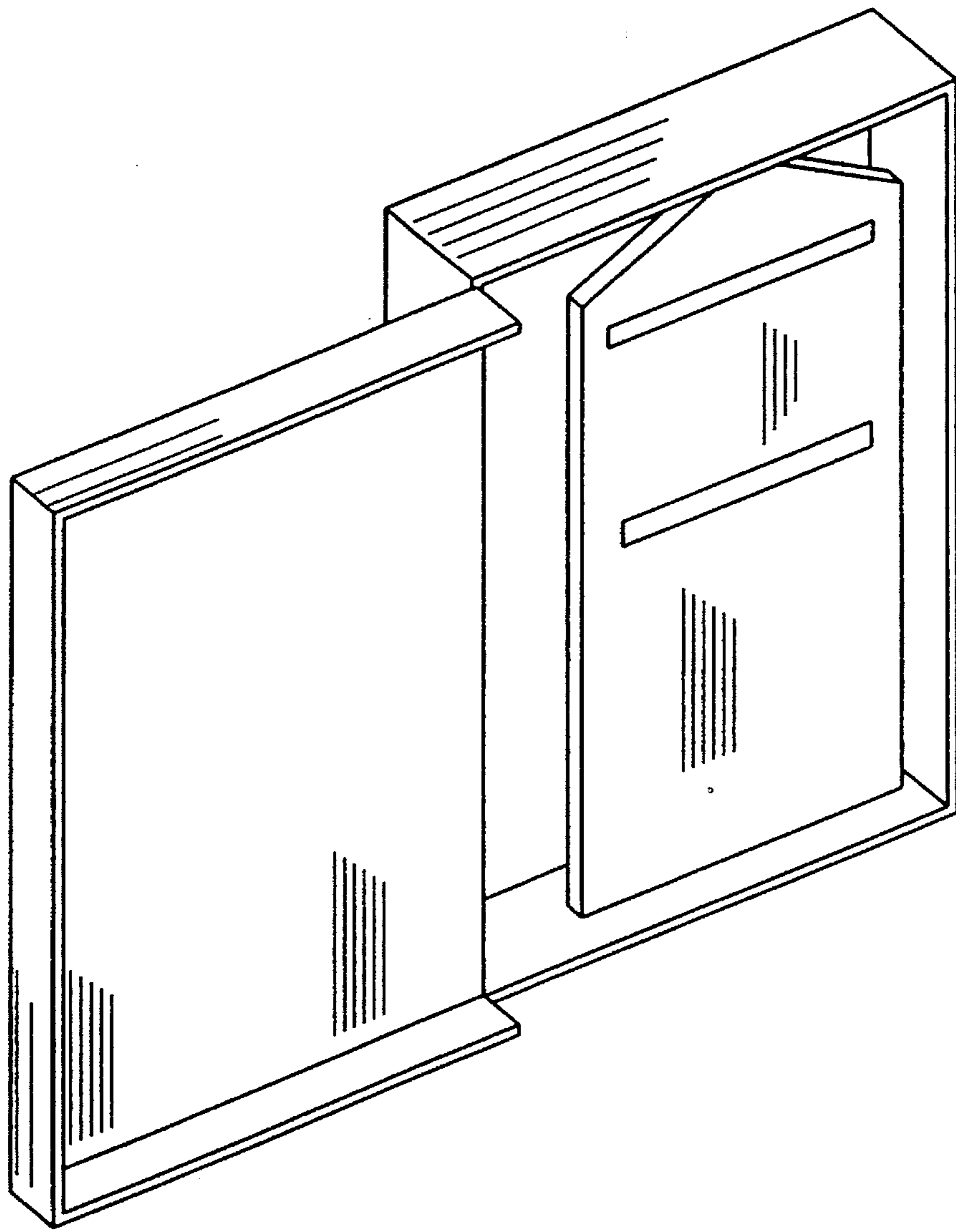
FIG. 1 is a front top perspective view of my design for a garment box;  
FIG. 2 is a front view thereof;  
FIG. 3 is a left side elevation view thereof;  
FIG. 4 is a right side view thereof;  
FIG. 5 is a top plan view thereof; and,  
FIG. 6 is a bottom plan view thereof.

[56] **References Cited**

**U.S. PATENT DOCUMENTS**

D. 26,025	9/1896	Hurd	.....	D9/341
D. 223,897	6/1972	Crew et al.	.....	D9/305
927,800	7/1909	Jager	.....	206/806 X
3,285,411	11/1966	English, Jr.	.....	D9/345 X

**1 Claim, 1 Drawing Sheet**



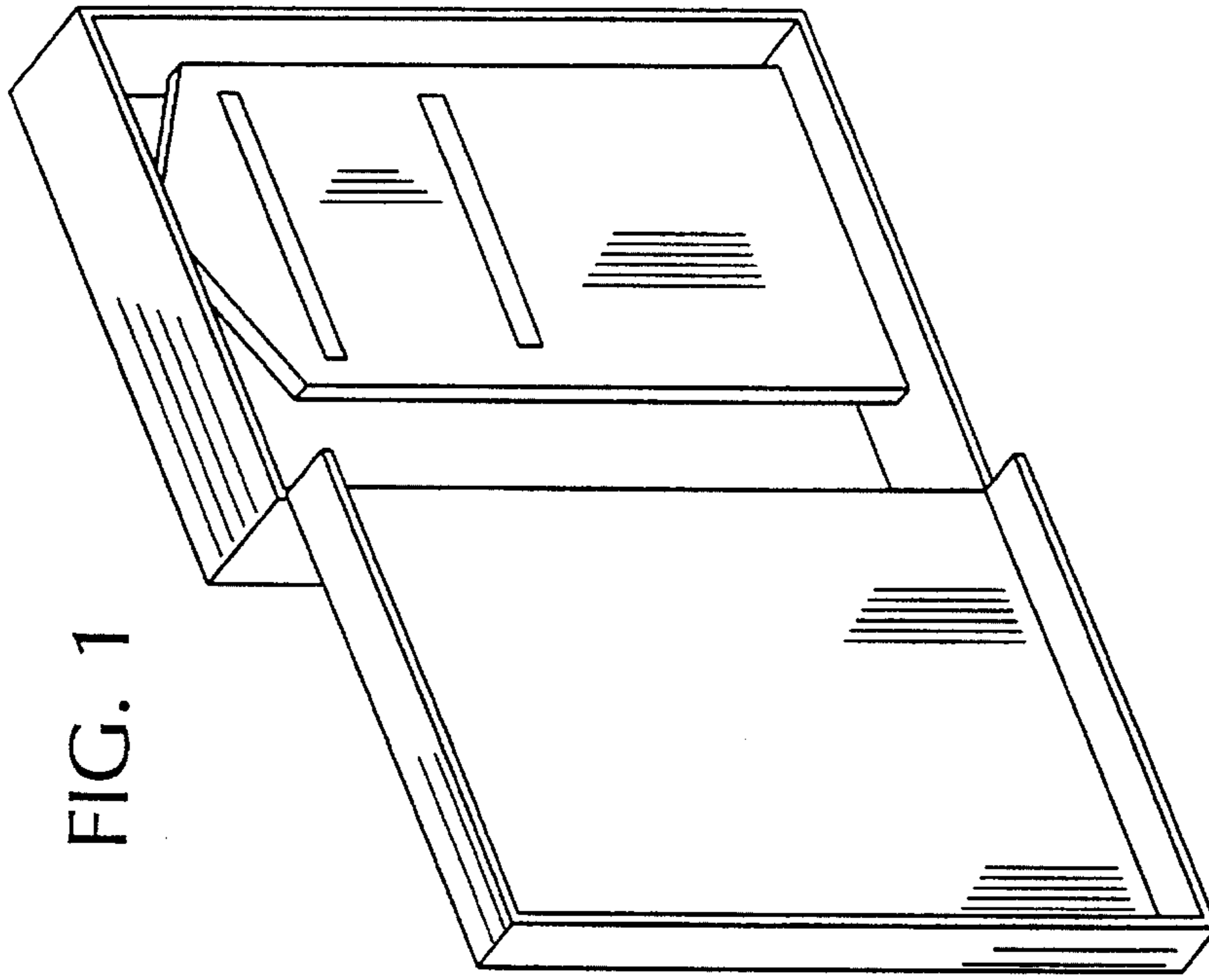


FIG. 1

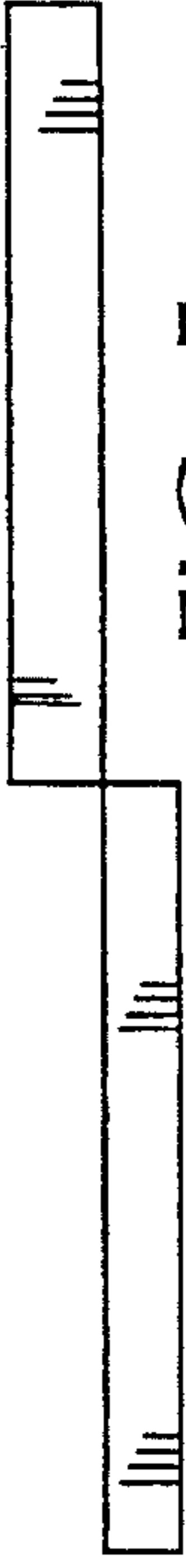


FIG. 5

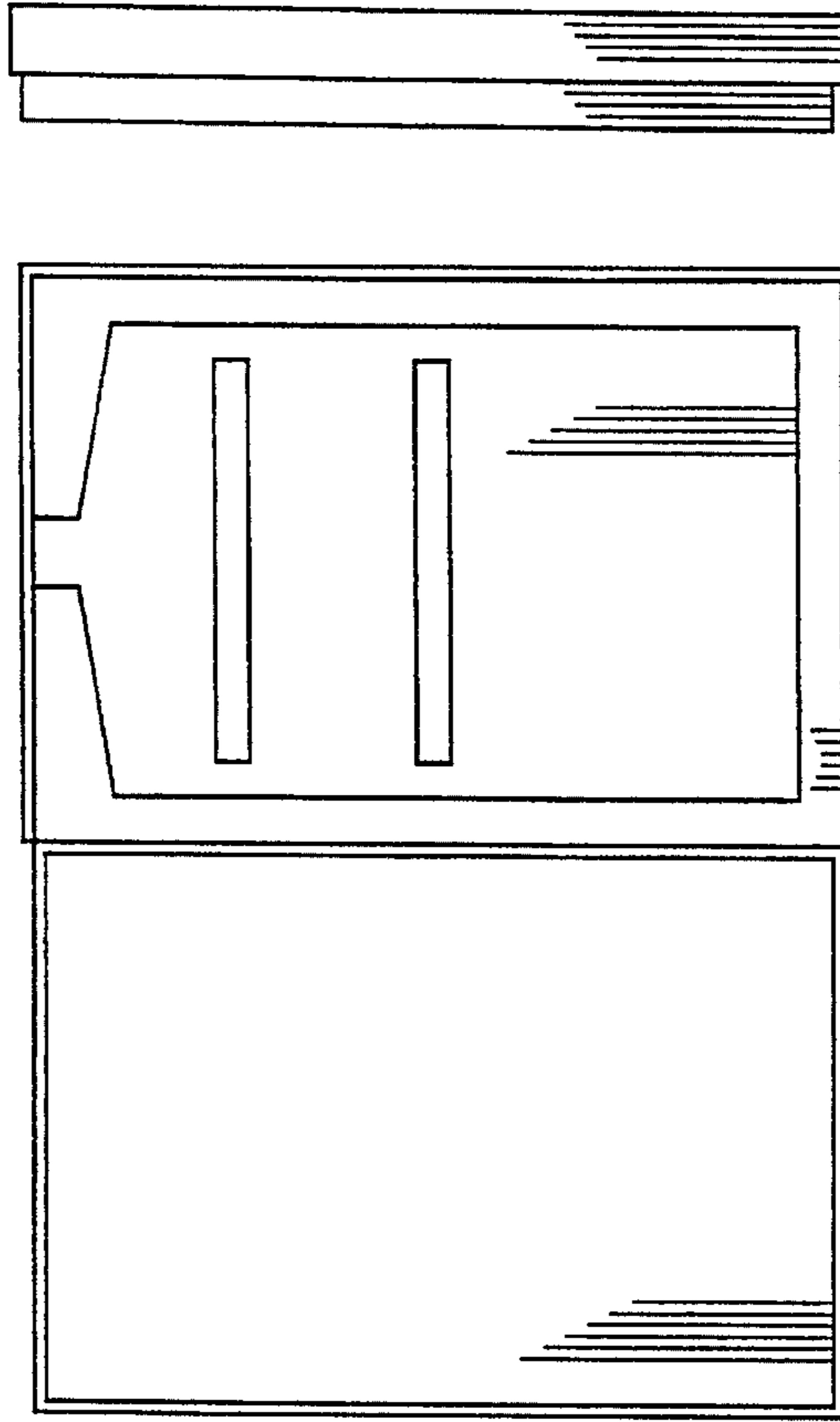


FIG. 2



FIG. 3

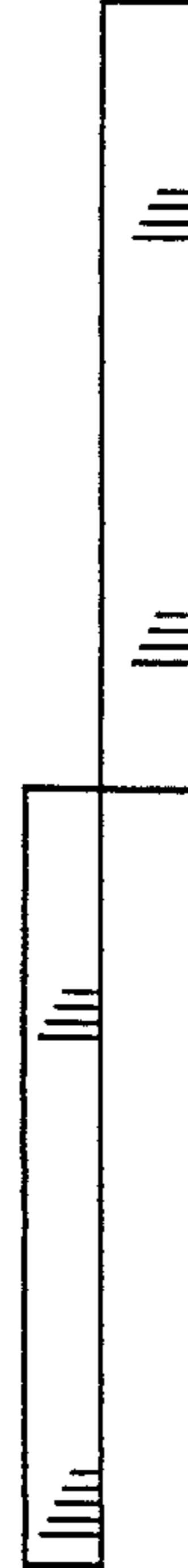


FIG. 6

FIG. 4