



US00D370625S

United States Patent [19]

Kelsey et al.

[11] Patent Number: **Des. 370,625**

[45] Date of Patent: ****Jun. 11, 1996**

[54] **PHARMACEUTICAL PACKAGE**

[75] Inventors: **Stephen F. Kelsey; Donald Williams,**
both of London, England

[73] Assignee: **John Wyeth & Brother Limited,**
Maidenhead, England

[**] Term: **14 Years**

[21] Appl. No.: **26,135**

[22] Filed: **Jul. 20, 1994**

4,669,613 6/1987 Collens 206/539 X
 4,889,236 12/1989 Bartell et al. 206/528 X

FOREIGN PATENT DOCUMENTS

0308551 3/1989 European Pat. Off. 206/828
 1531030 6/1968 France 206/459.5

Primary Examiner—Ted Shooman
Assistant Examiner—Nanda Bondade
Attorney, Agent, or Firm—Steven R. Eck

[30] Foreign Application Priority Data

Jan. 21, 1994 [GB] United Kingdom 2036491

[52] U.S. Cl. **D9/341; D9/345**

[58] Field of Search D9/341, 345, 415,
D9/118; 206/352, 354-360, 530, 534, 539;
229/68 R, 76, 79, 80.5

[56] References Cited

U.S. PATENT DOCUMENTS

4,534,468 8/1985 Nuckols et al. 206/459.5 X

[57] CLAIM

The ornamental design for a pharmaceutical package, as shown and described.

DESCRIPTION

FIG. 1 is a front elevational view of a pharmaceutical package showing our new design;
 FIG. 2 is a bottom elevational view thereof;
 FIG. 3 is a top elevational view thereof;
 FIG. 4 is a right side elevational view thereof; and,
 FIG. 5 is a left side elevational view thereof.
 The undisclosed rear view is planar and unornamented.

1 Claim, 2 Drawing Sheets

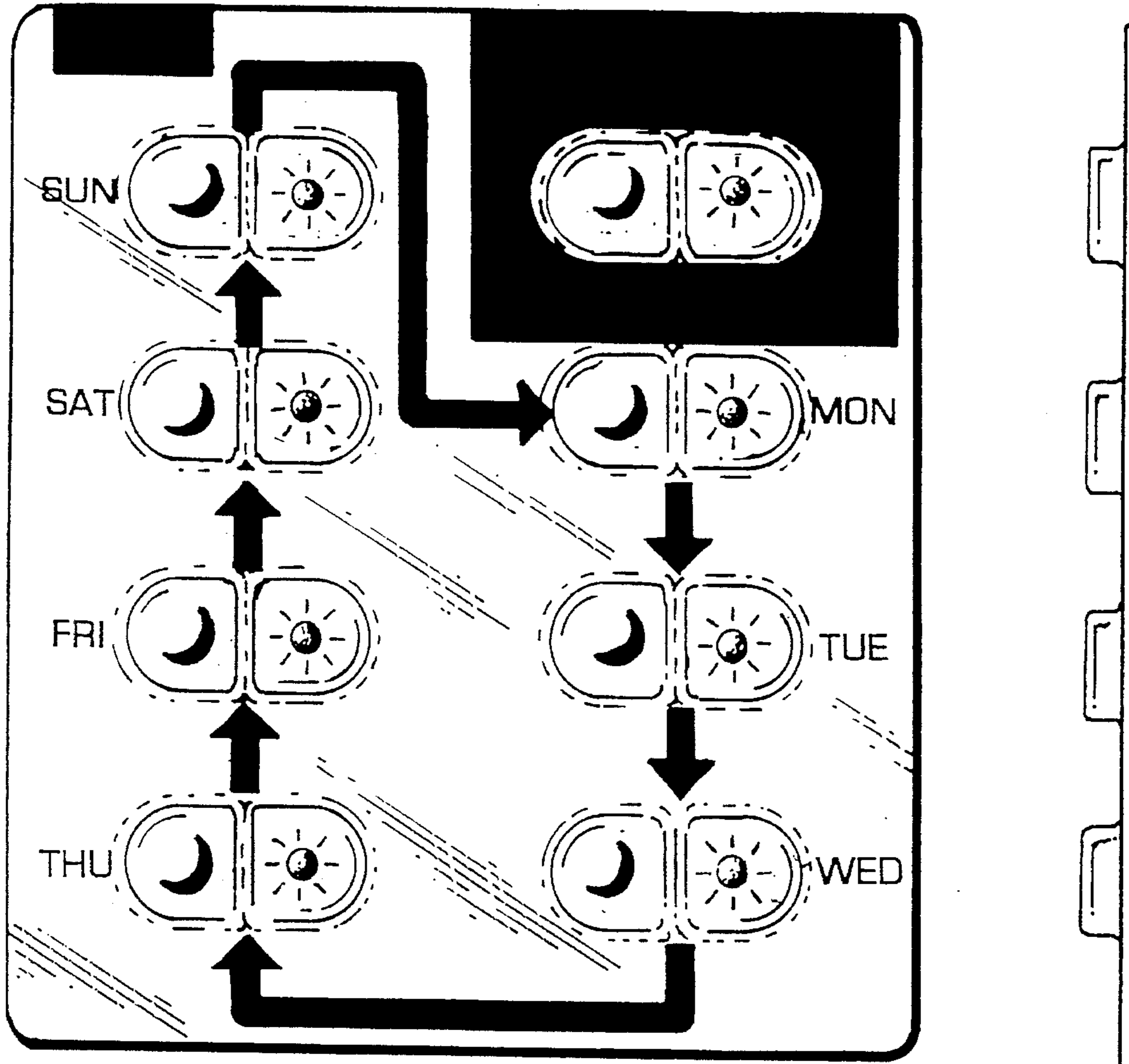
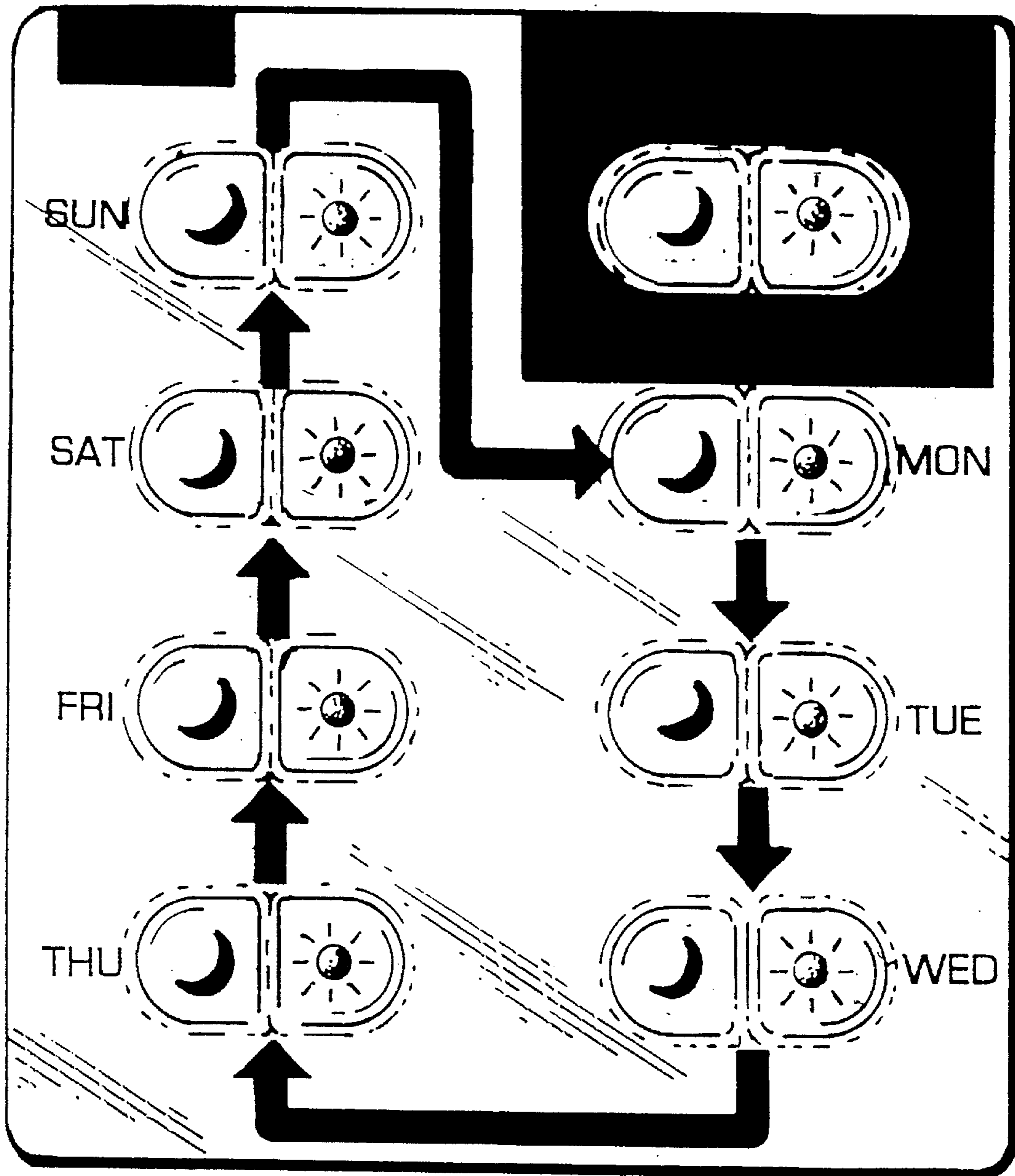


FIG.1



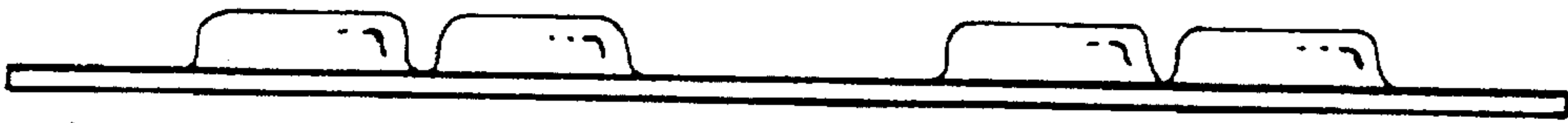


FIG. 2



FIG. 3



FIG. 4

FIG. 5

