



US00D370624S

**United States Patent** [19]  
**DiBiagio**

[11] **Patent Number: Des. 370,624**

[45] **Date of Patent: \*\*Jun. 11, 1996**

[54] **FURNITURE CLAMP**

[75] Inventor: **Anthony J. DiBiagio**, Granger, Ind.

[73] Assignee: **Holiday Rambler L.L.C.**, Wakarusa, Ind.

[\*\*] Term: **14 Years**

[21] Appl. No.: **25,805**

[22] Filed: **Jul. 12, 1994**

[52] U.S. Cl. .... **D8/382; D8/394**

[58] Field of Search ..... **D8/382, 394; 248/501**

[56] **References Cited**

**U.S. PATENT DOCUMENTS**

94,011	8/1869	Lemon .....	248/501
D. 209,171	11/1967	Myatt .....	D8/394
D. 328,241	7/1992	Longstreet .....	D8/356 X
1,155,043	9/1915	Cilley .....	248/501
1,155,376	10/1915	Sherer .....	248/501
2,380,568	7/1945	Adams .....	85/5
2,420,060	5/1947	Adams .....	85/5
2,420,061	5/1947	Adams .....	85/5
3,431,537	3/1969	Klingenberg .....	13/54

**FOREIGN PATENT DOCUMENTS**

682	8/1899	Austria .....	248/501
71815	3/1947	Norway .....	24/339

*Primary Examiner*—Lucy Lieberman  
*Attorney, Agent, or Firm*—Leydig, Voit & Mayer, Ltd.

[57] **CLAIM**

The ornamental design for a furniture clamp, as described and shown.

**DESCRIPTION**

FIG. 1 is a perspective view of a furniture clamp, showing my new design;  
 FIG. 2 is a top view illustrating the furniture clamp in an unlocked position;  
 FIG. 3 is a front view of FIG. 2;  
 FIG. 4 is a side view of FIG. 2;  
 FIG. 5 is a back view of FIG. 2;  
 FIG. 6 is an opposing side view of FIG. 2;  
 FIG. 7 is a bottom view of FIG. 2;  
 FIG. 8 is a top view of the furniture clamp in a locked position;  
 FIG. 9 is a front view of FIG. 8;  
 FIG. 10 is a side view of FIG. 8;  
 FIG. 11 is a back view of FIG. 8;  
 FIG. 12 is an opposing side view of FIG. 10;  
 FIG. 13 is a bottom view of FIG. 8; and,  
 FIG. 14 is a partially cut away view of FIG. 5.  
 The broken lines showing a furniture leg and the floor in FIG. 1 are for illustrative purposes only and do not form part of the claimed design.

**1 Claim, 2 Drawing Sheets**

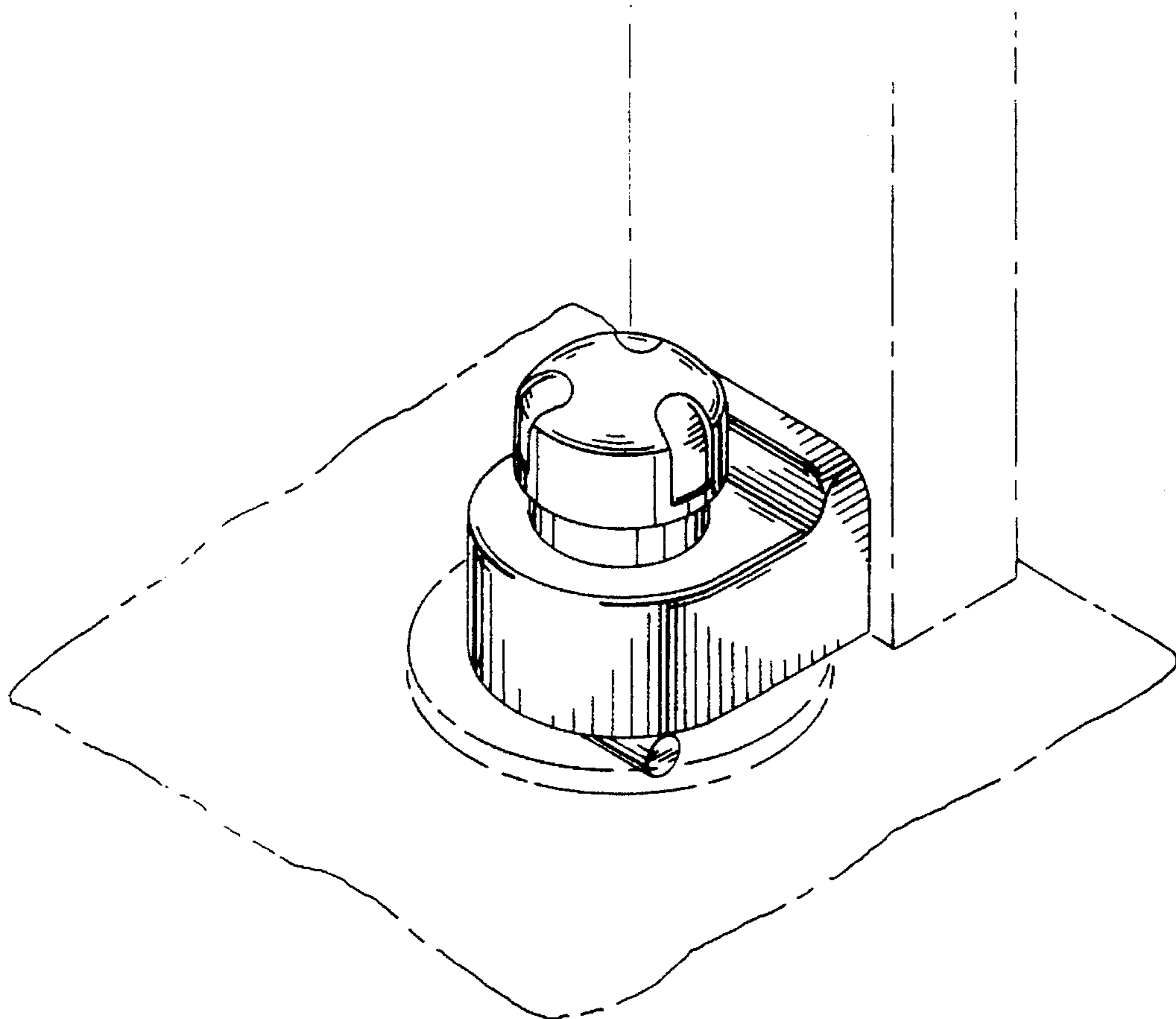


FIG. 1

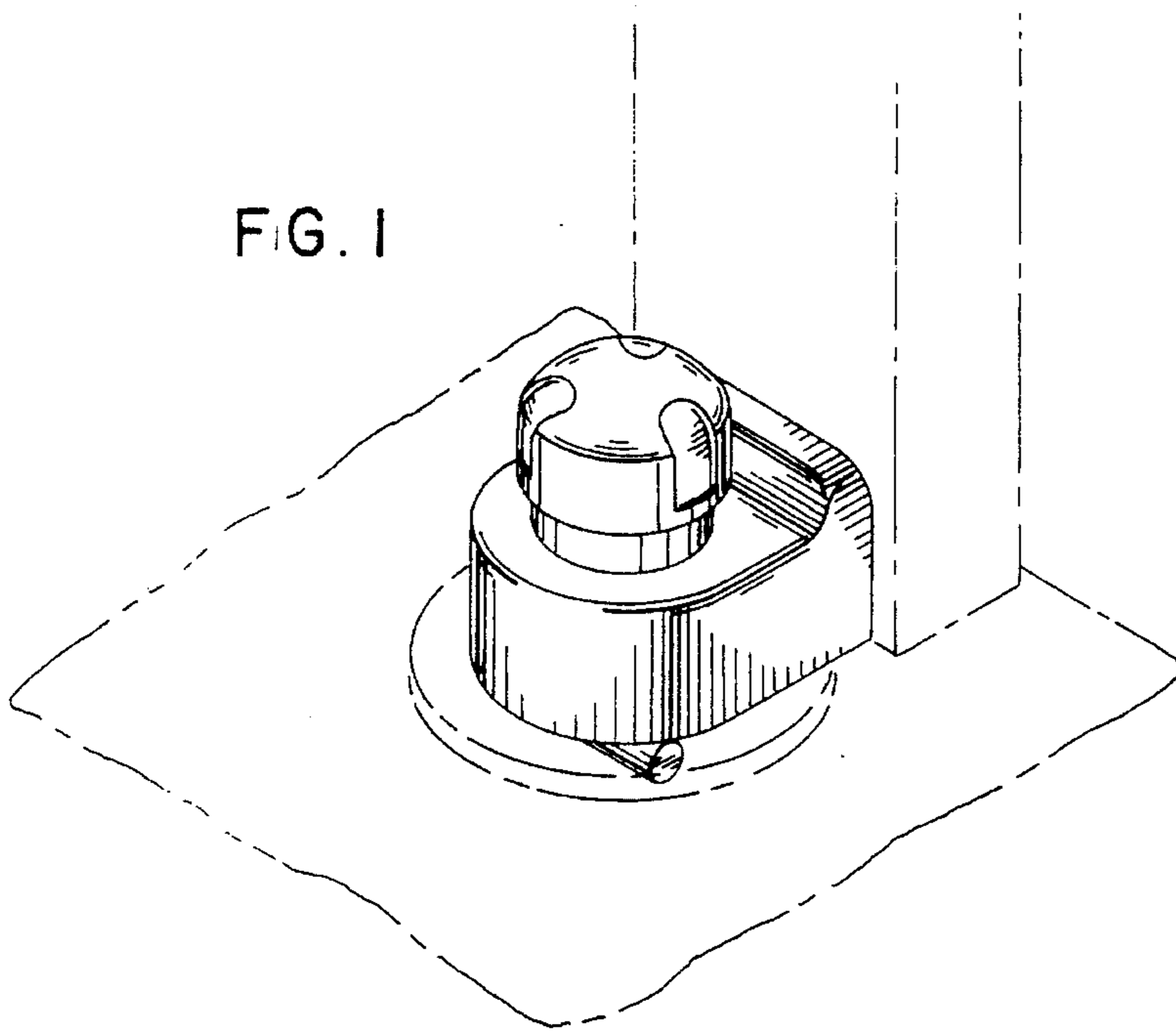


FIG. 2

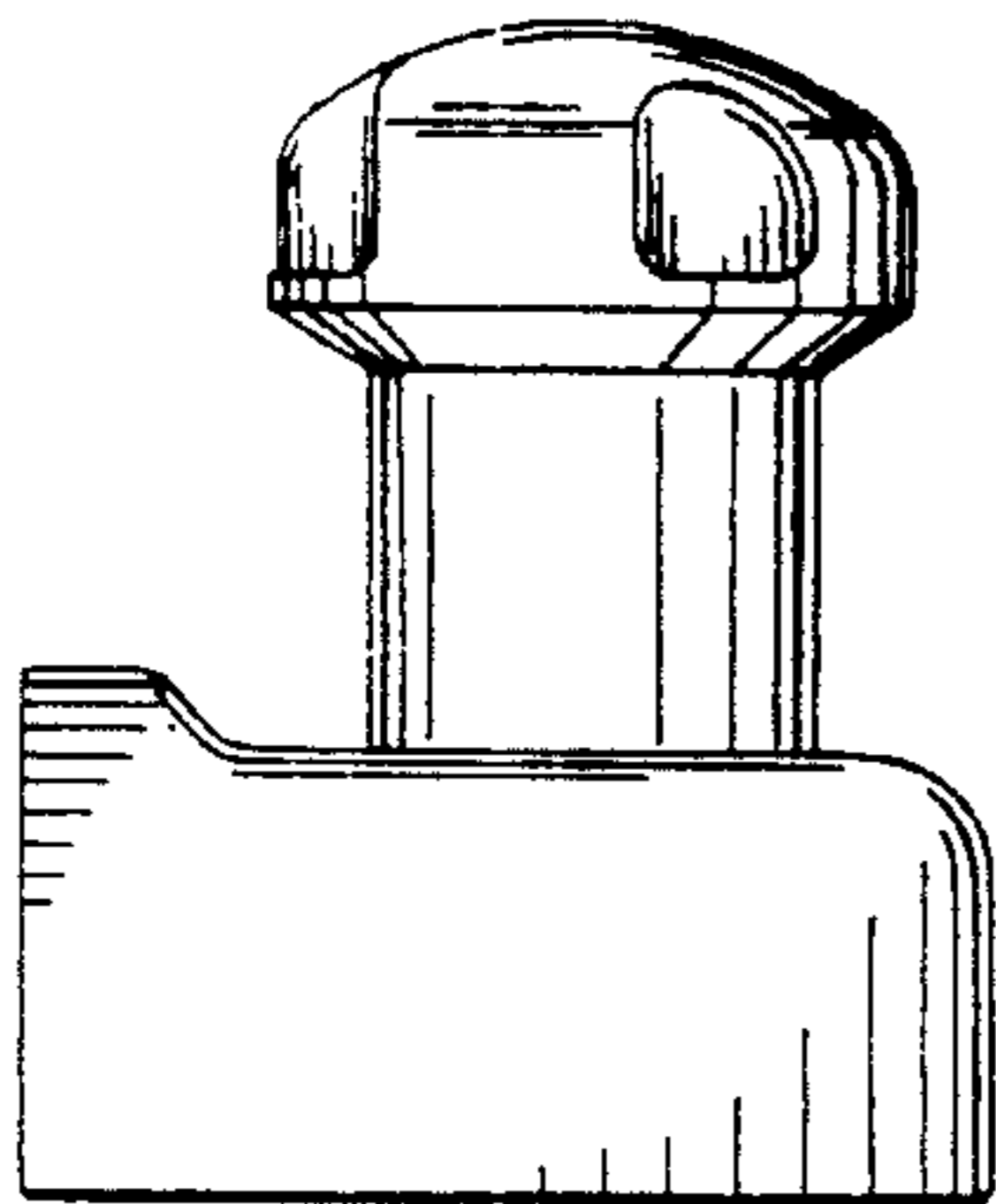
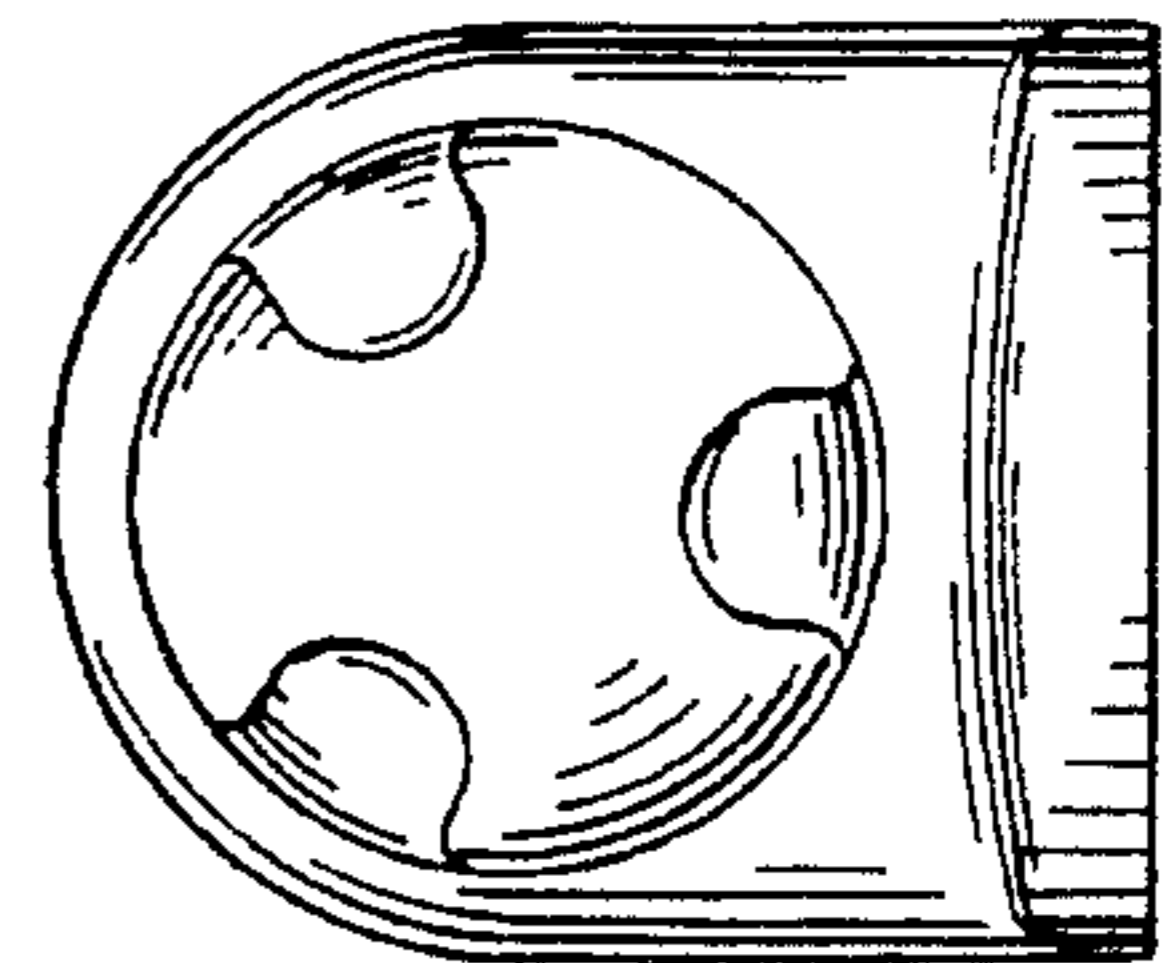


FIG. 3

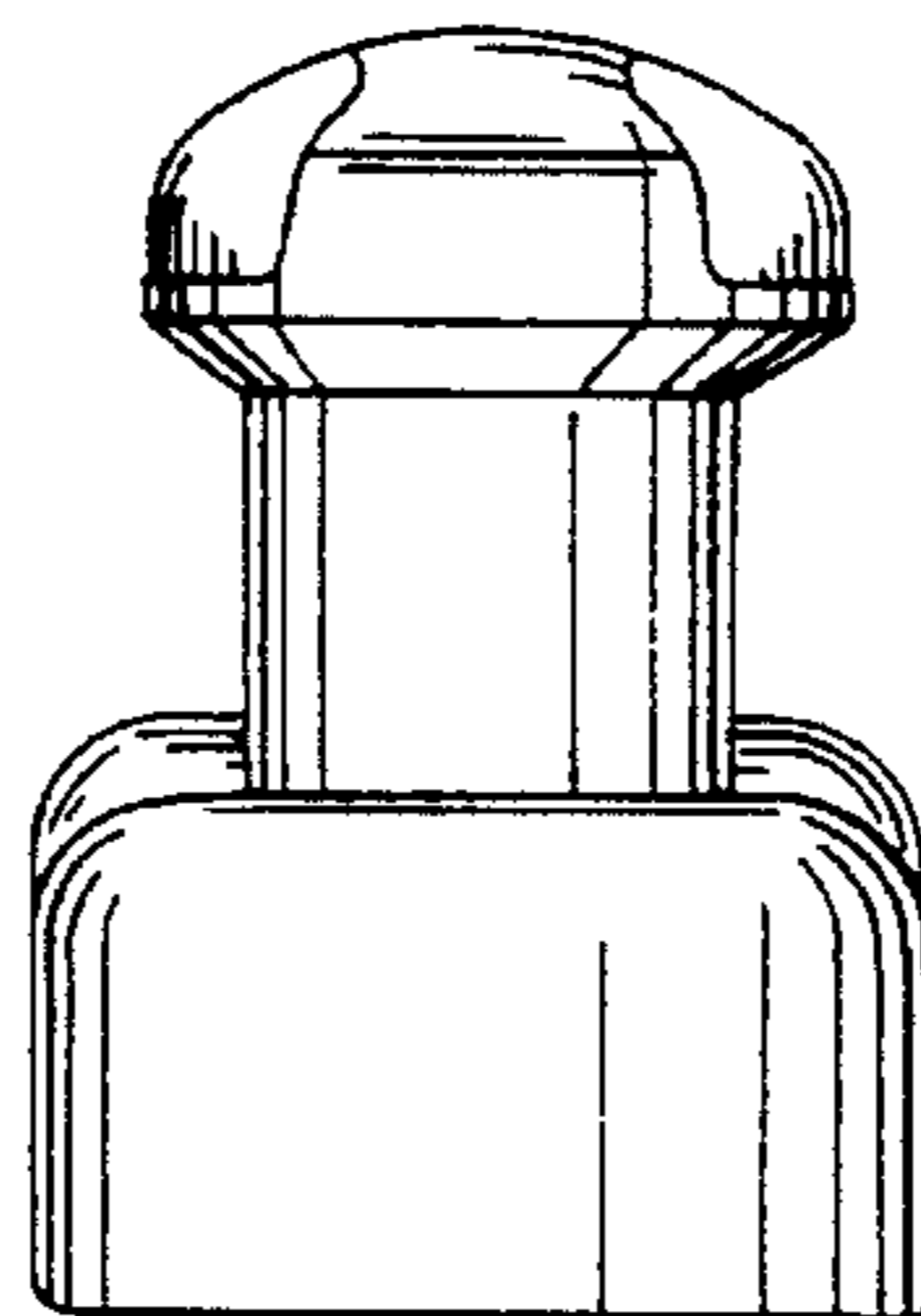


FIG. 4

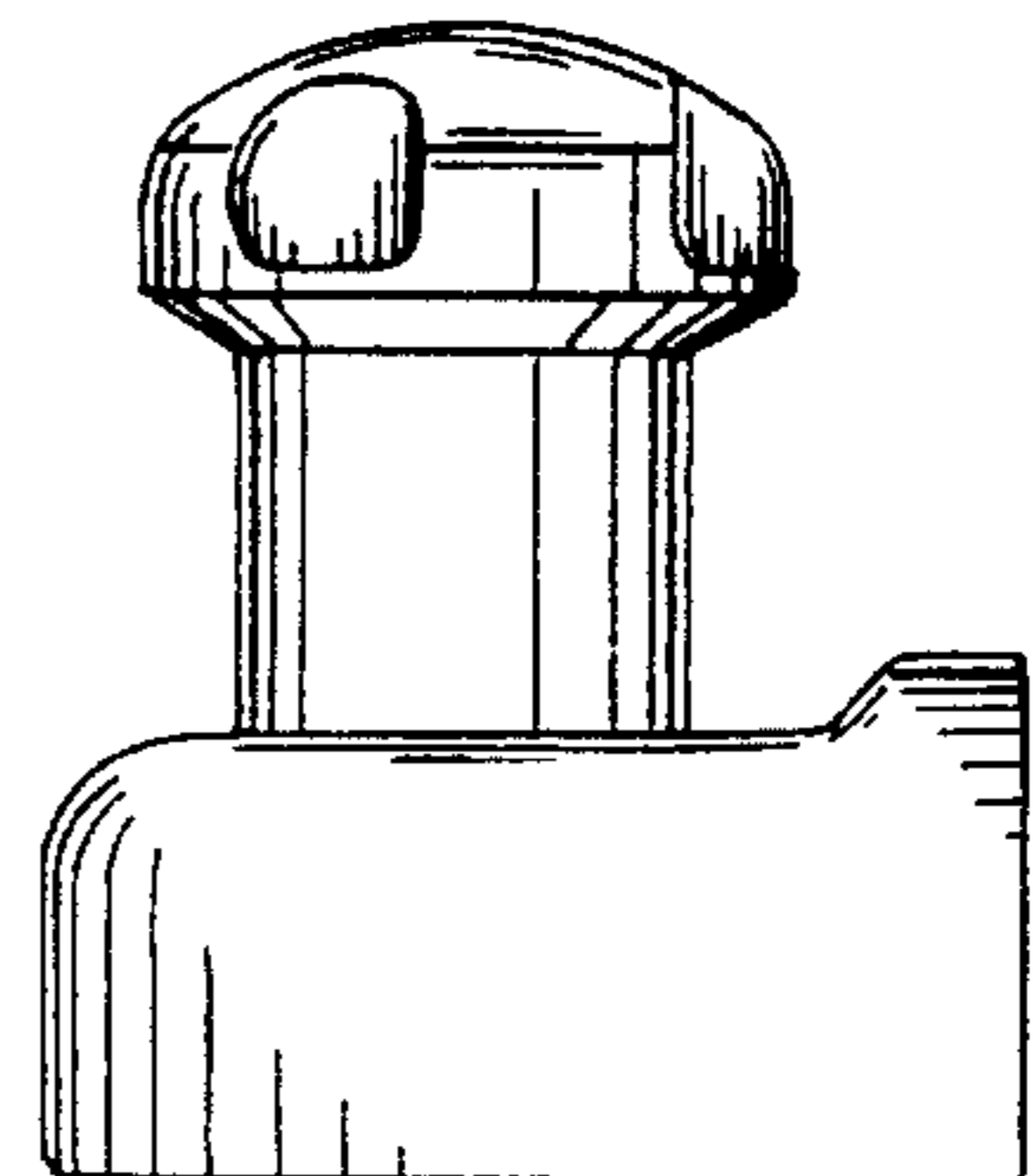


FIG. 5

FIG. 6

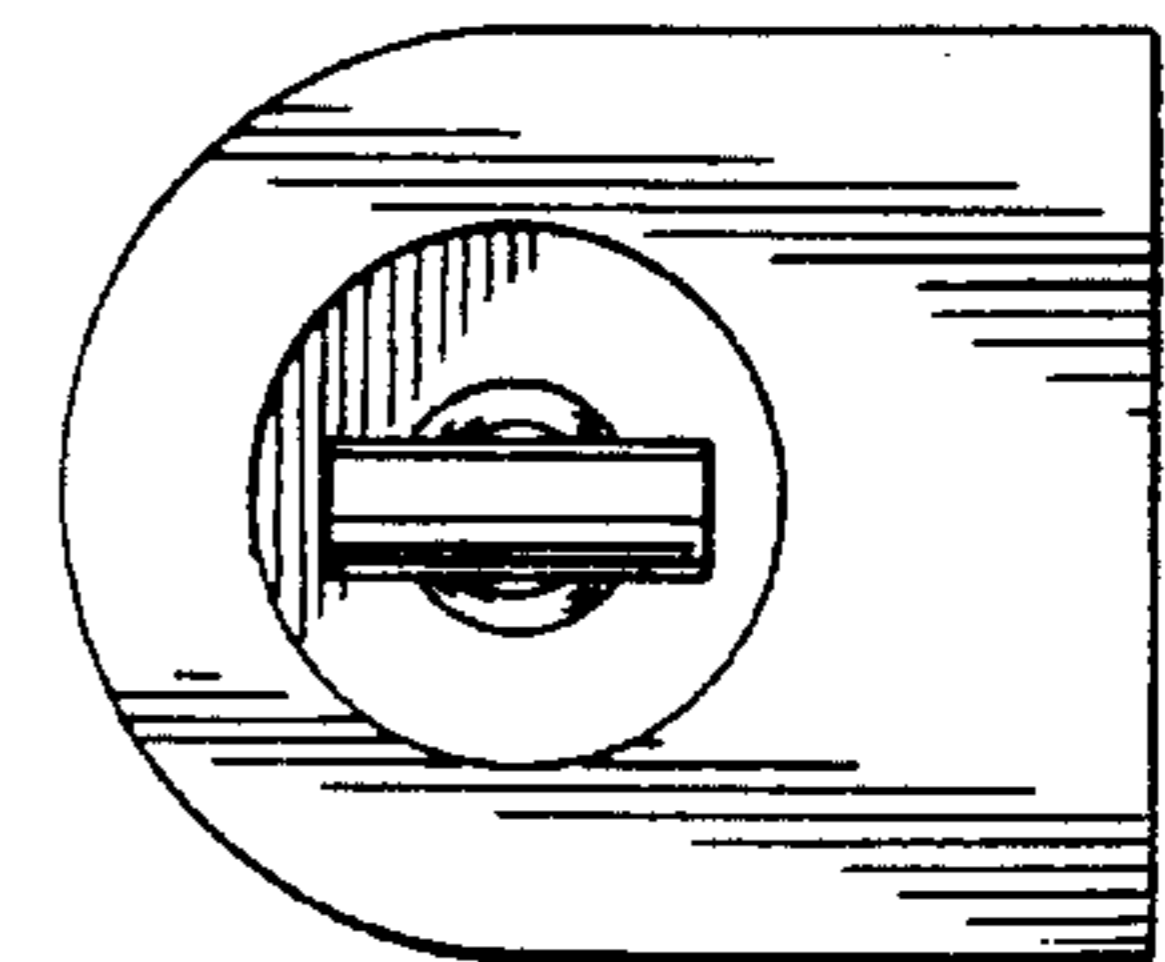
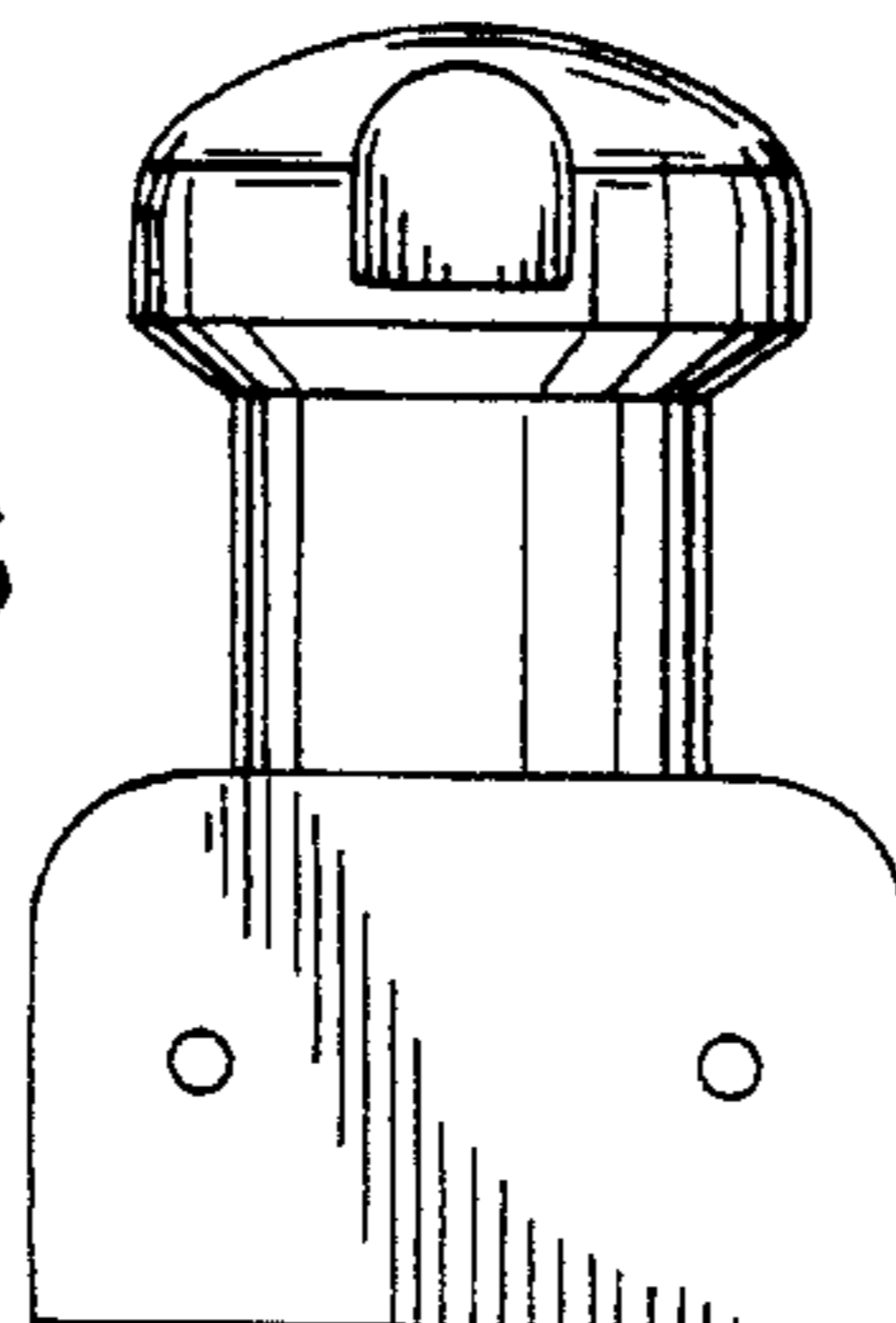


FIG. 7

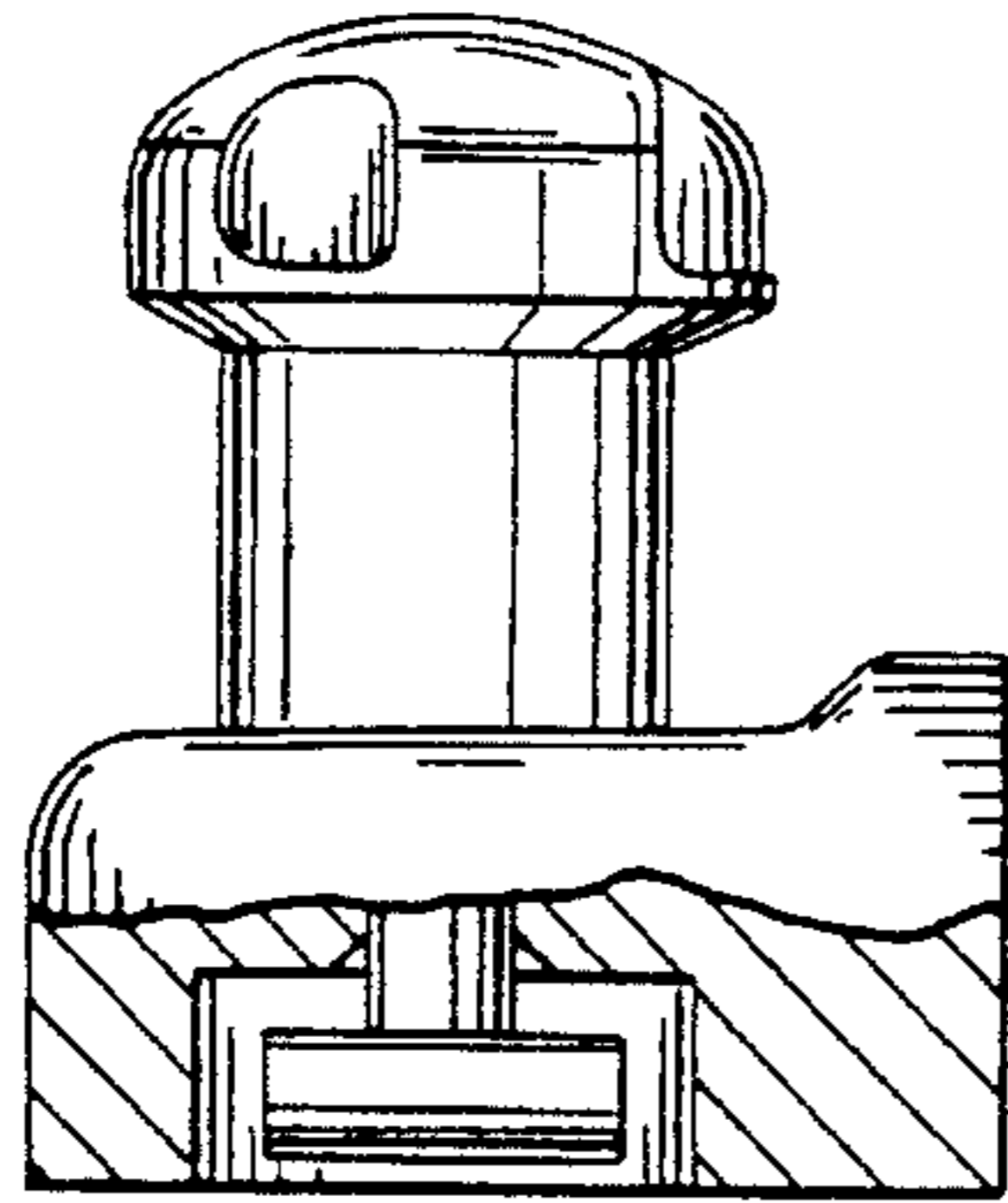


FIG. 14

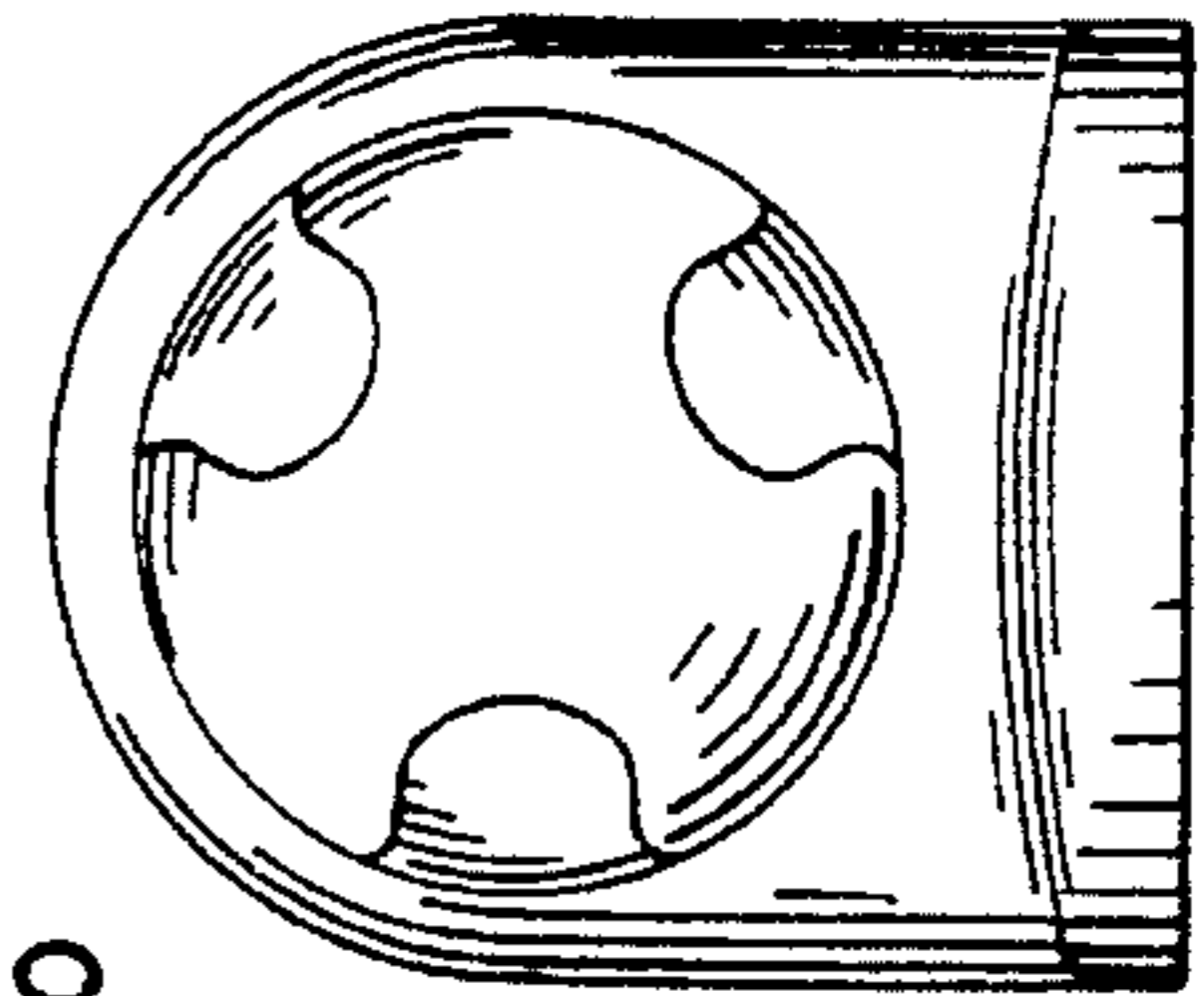


FIG. 8

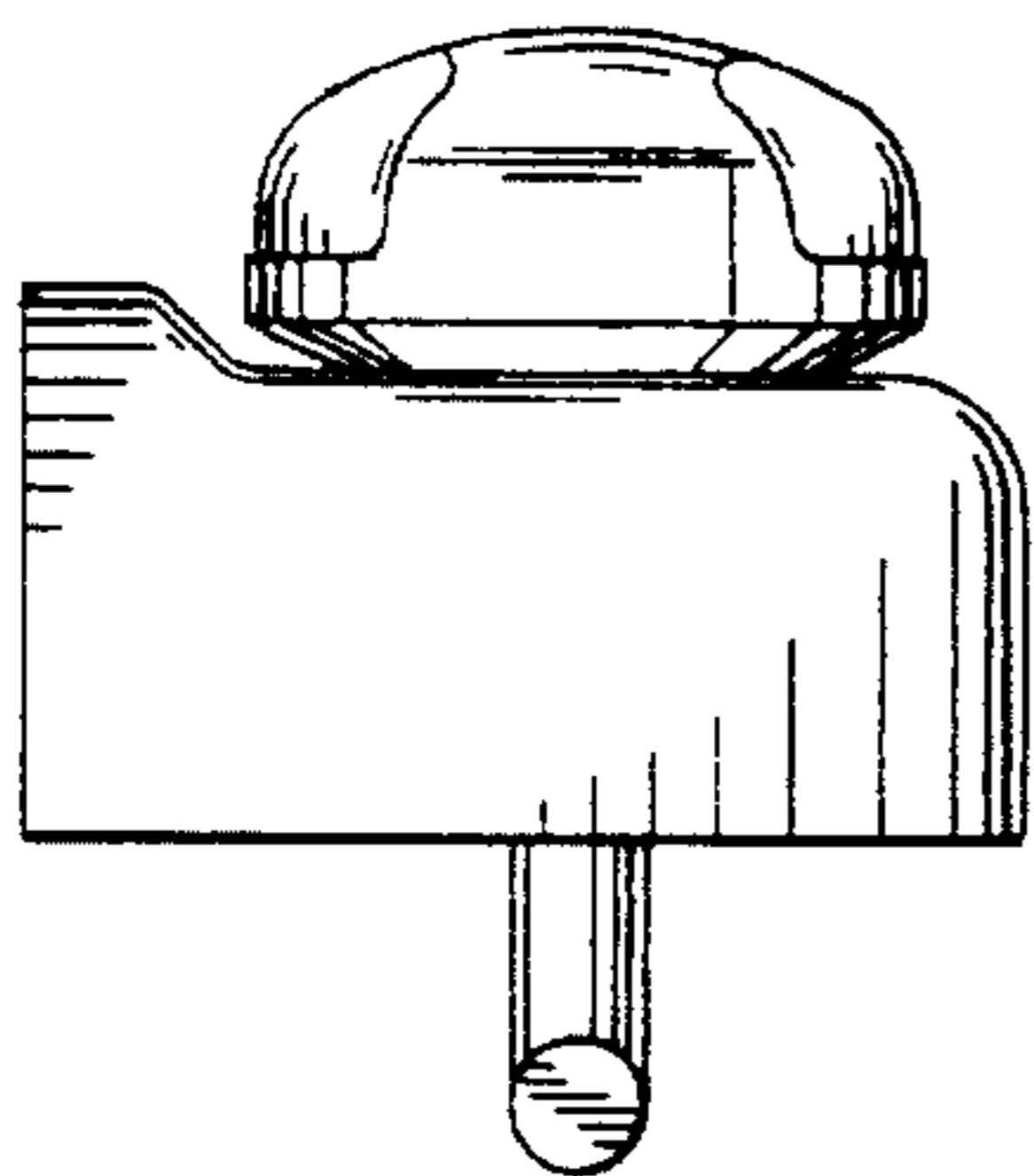


FIG. 9

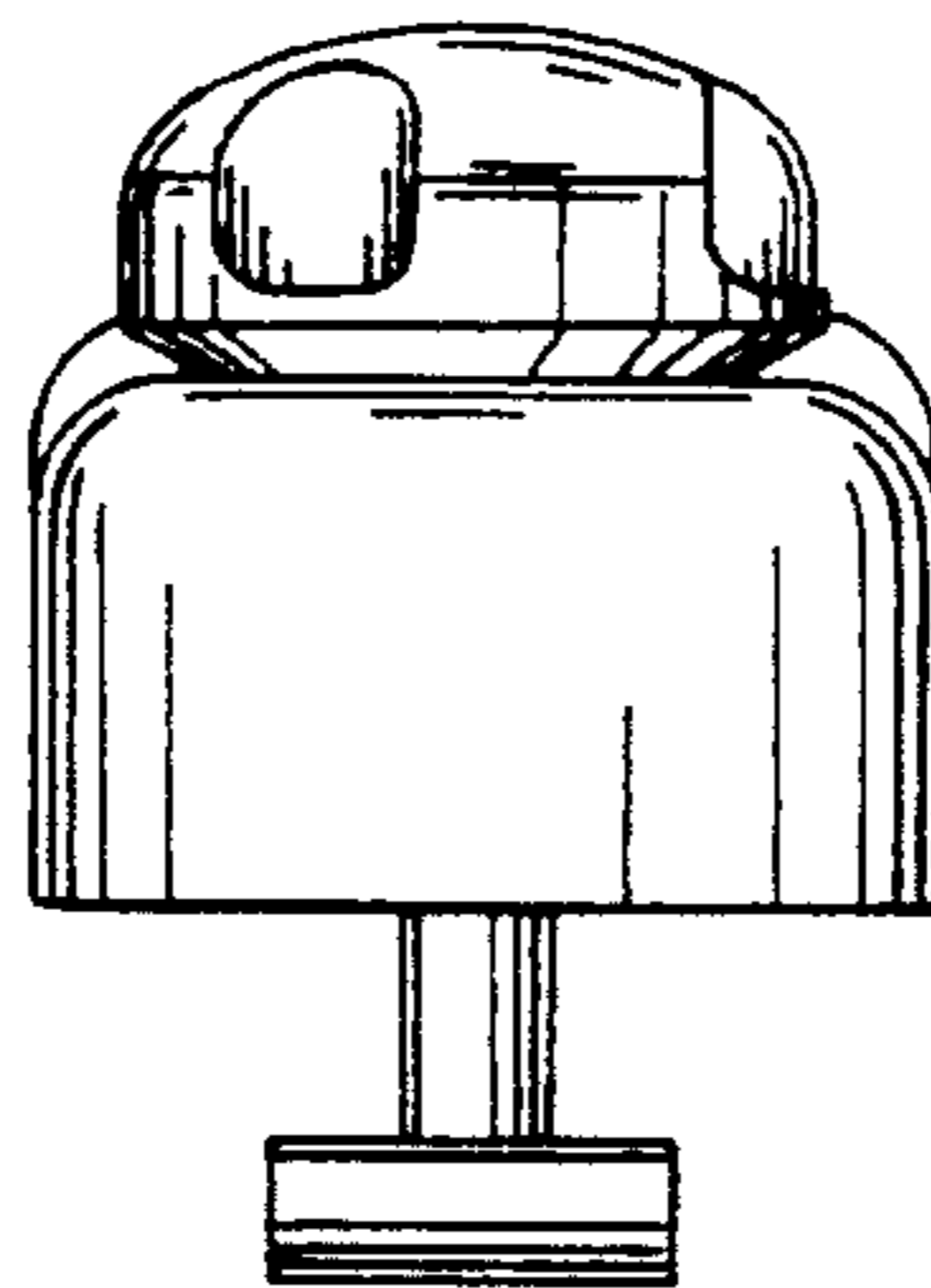


FIG. 10

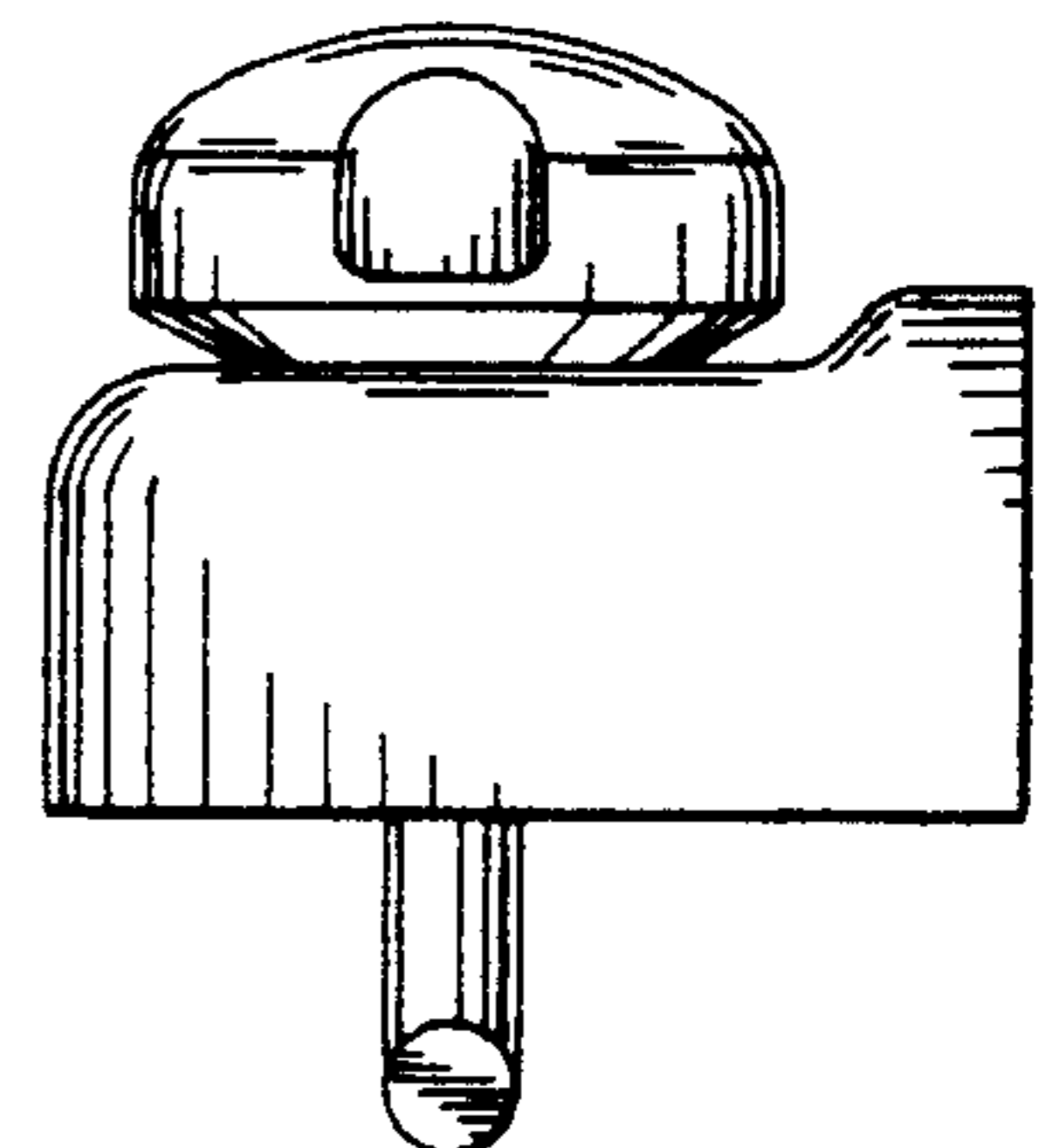


FIG. 11

FIG. 12

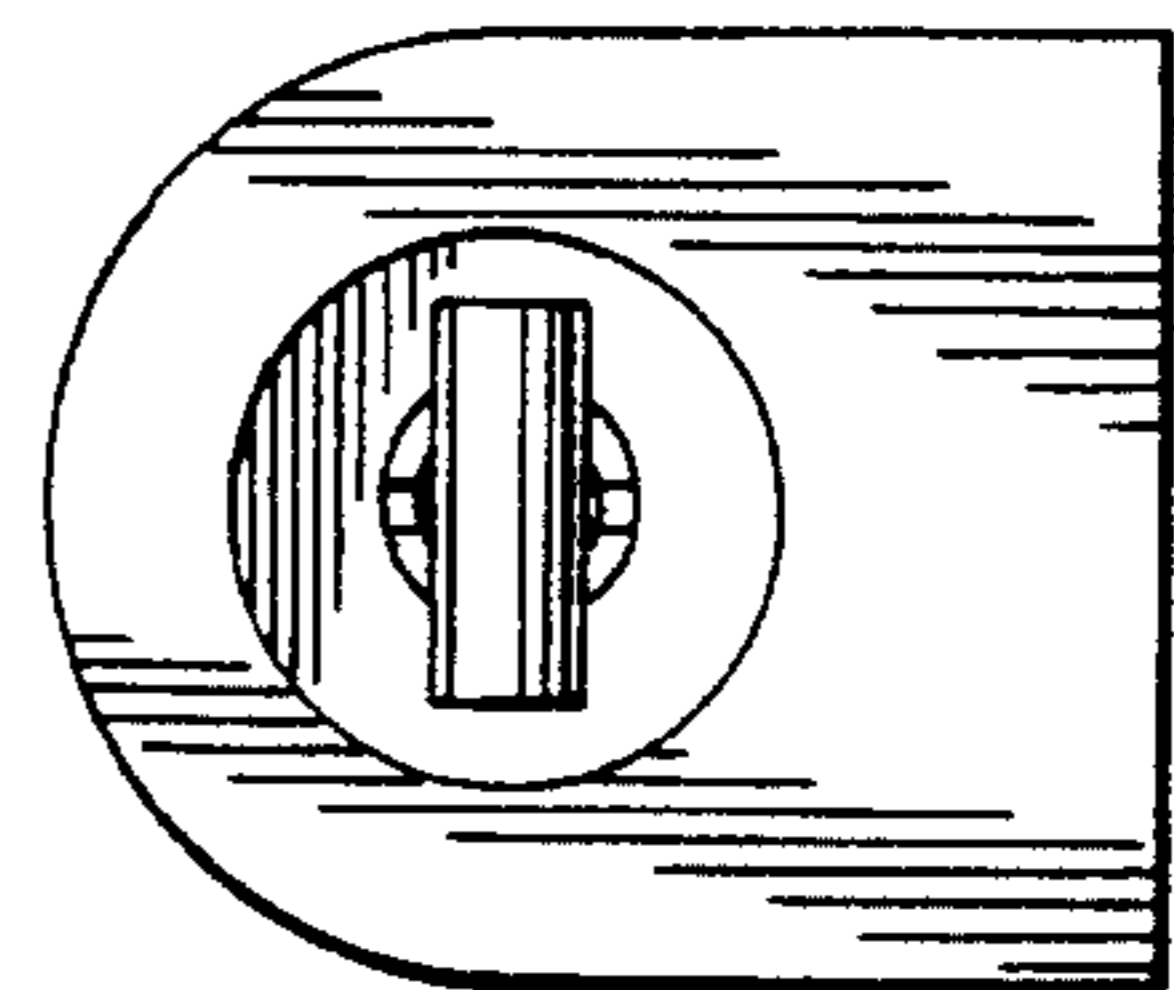
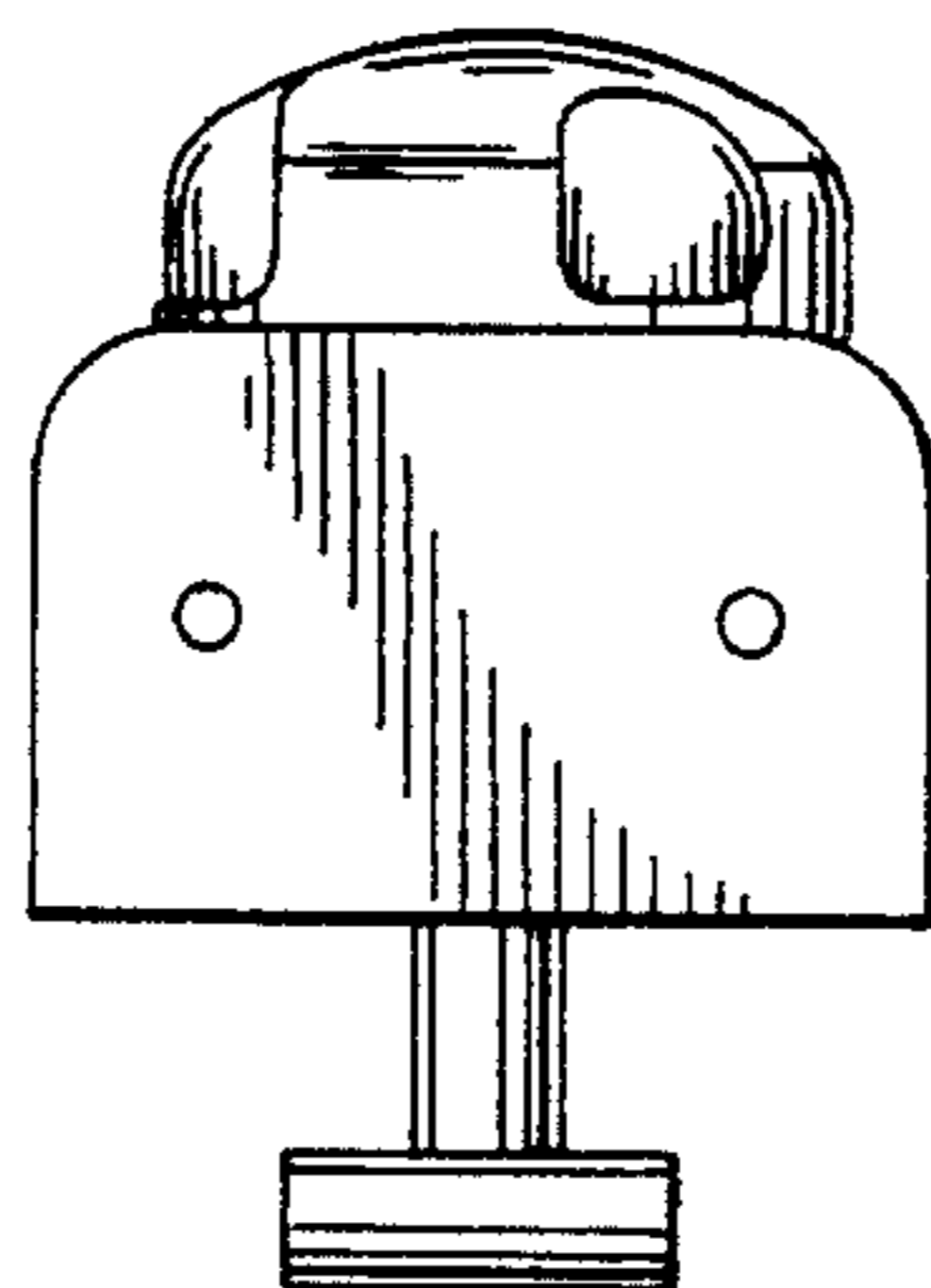


FIG. 13