



US00D370623S

United States Patent [19]
Wenger

[11] **Patent Number: Des. 370,623**
[45] **Date of Patent: **Jun. 11, 1996**

[54] **SWIVEL CLIP FOR ATTACHING A FLAG TO A FLAGPOLE**

1,804,377 5/1931 Freysinger 24/600.9
2,799,240 7/1957 Andrews 116/174
3,595,202 7/1971 Visitacion .
3,706,297 12/1972 Voorhees .
4,603,652 8/1986 Thibault et al. .

[76] Inventor: **Robert E. Wenger**, 510 Walnut St.,
Denver, Pa. 17517

[**] Term: **14 Years**

Primary Examiner—A. Hugo Word
Assistant Examiner—Holly Baynham
Attorney, Agent, or Firm—Dennis H. Lambert

[21] Appl. No.: **32,777**

[22] Filed: **Dec. 28, 1994**

[52] **U.S. Cl.** **D8/367**

[58] **Field of Search** D8/367, 382-383;
D3/207-208; D11/181, 182, 208, 214, 215;
D30/138-140; 24/265 H, 265 R, 600.9,
716

[57] **CLAIM**

The ornamental design for a swivel clip for attaching a flag to a flagpole, as shown and described.

DESCRIPTION

FIG. 1 is a front, top and side perspective view of a swivel clip for attaching a flag to a flagpole showing my new design;

FIG. 2 is a front elevational view thereof;

FIG. 3 is a right hand side elevational view thereof, as viewed in FIG. 2 ;

FIG. 4 is a left hand side elevational view thereof, as viewed in FIG. 2;

FIG. 5 is a top plan view thereof; and,

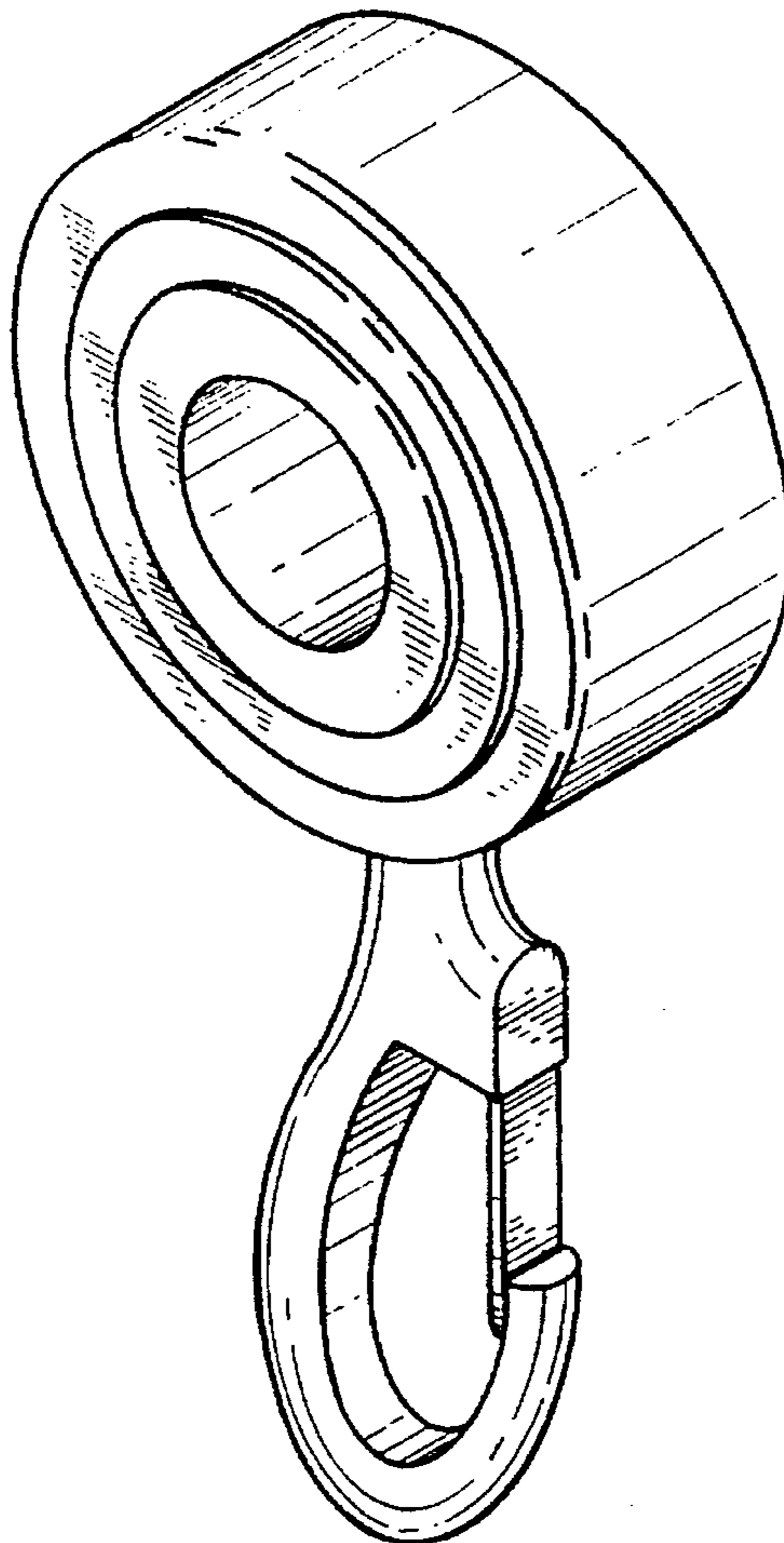
FIG. 6 is a bottom plan view thereof.

[56] **References Cited**

U.S. PATENT DOCUMENTS

D. 203,737	2/1966	Friedman	D3/207 X
330,991	11/1885	Mathews	.	
371,035	10/1887	Crandall	.	
661,773	11/1900	Sell	24/600.9
765,046	7/1904	Shee	.	
940,738	11/1909	Schleicher	24/600.9 X
1,364,109	1/1921	Hammett et al.	24/600.9
1,767,897	6/1930	Roman et al.	24/600.9

1 Claim, 2 Drawing Sheets



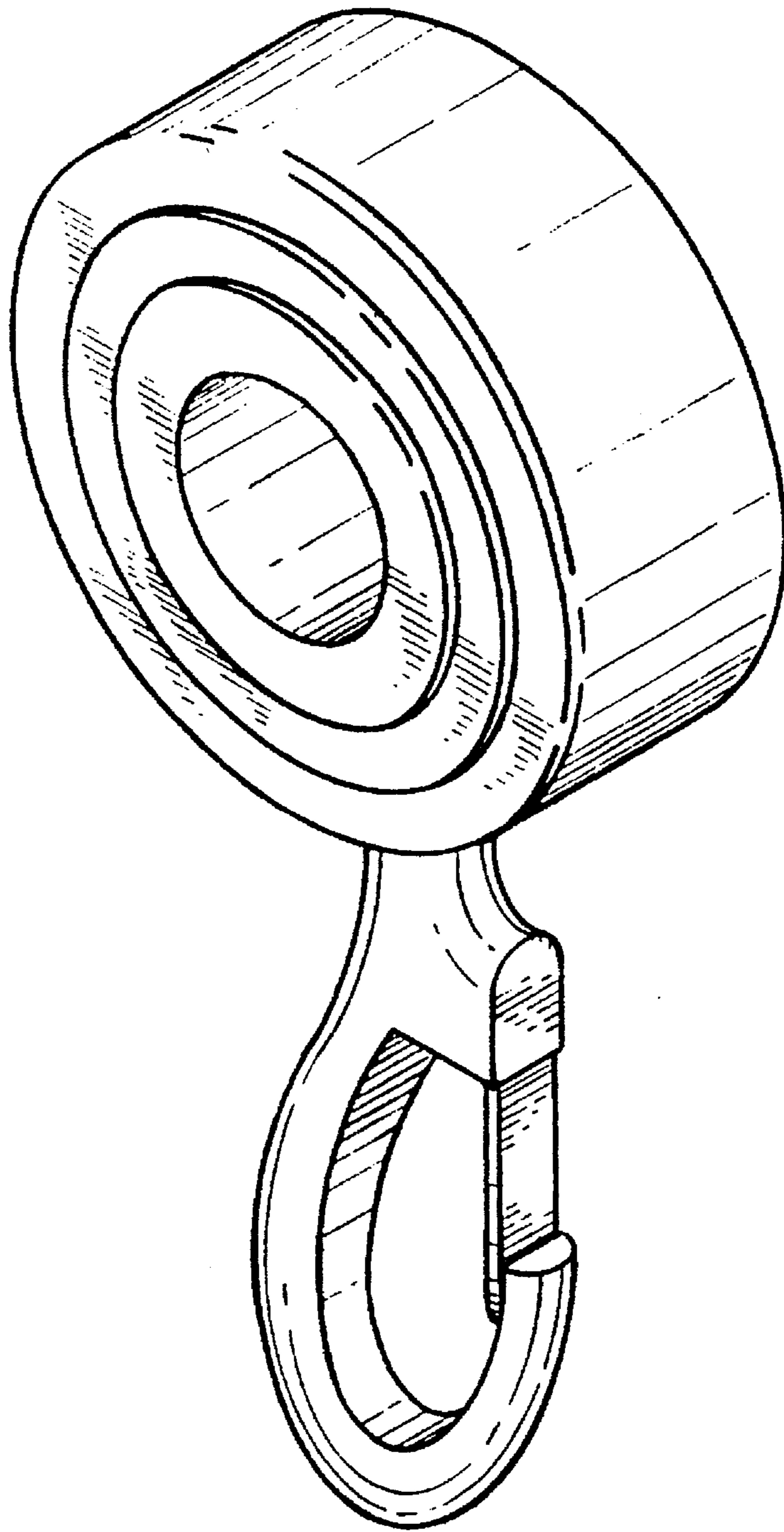


FIG. 1

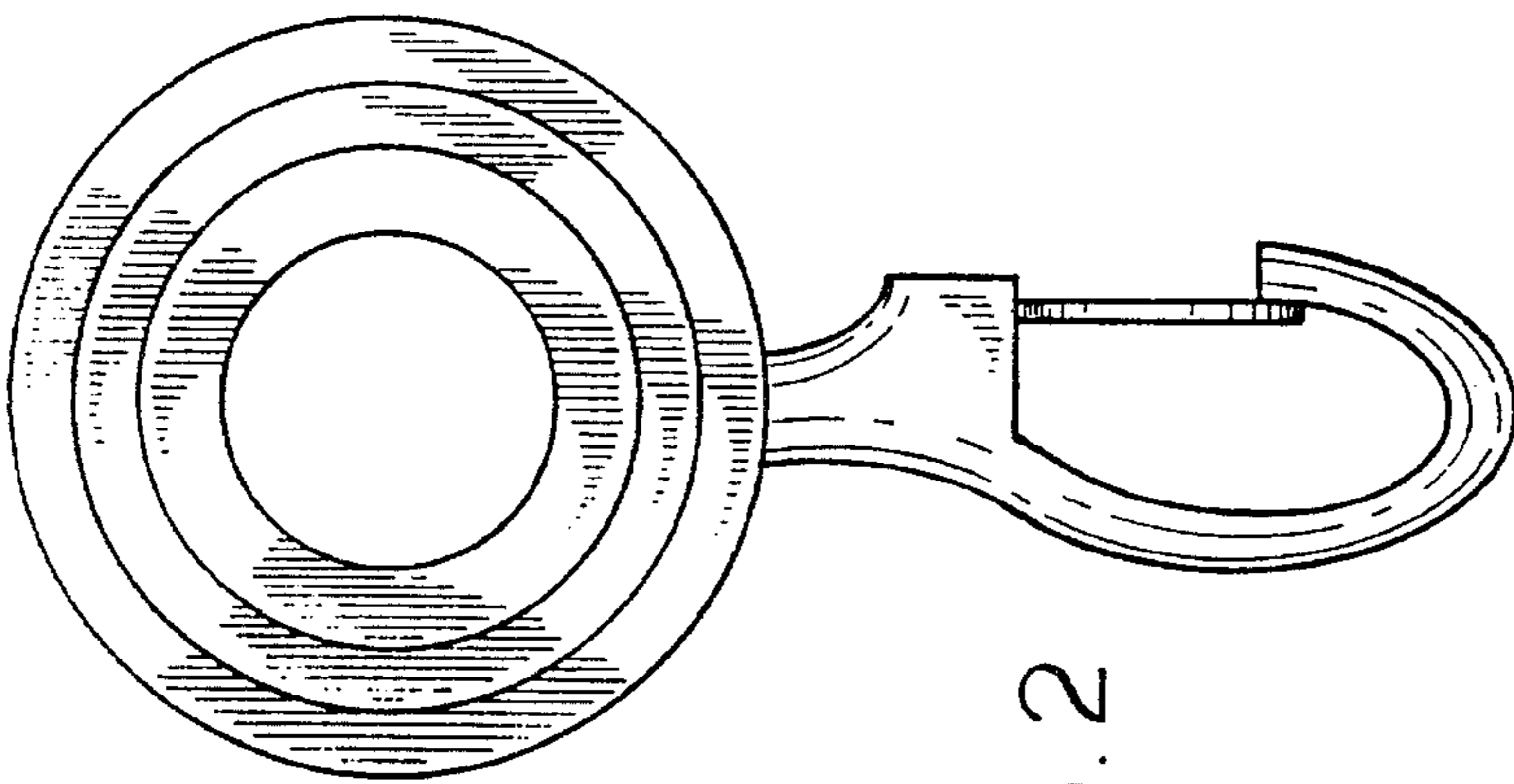


FIG. 2

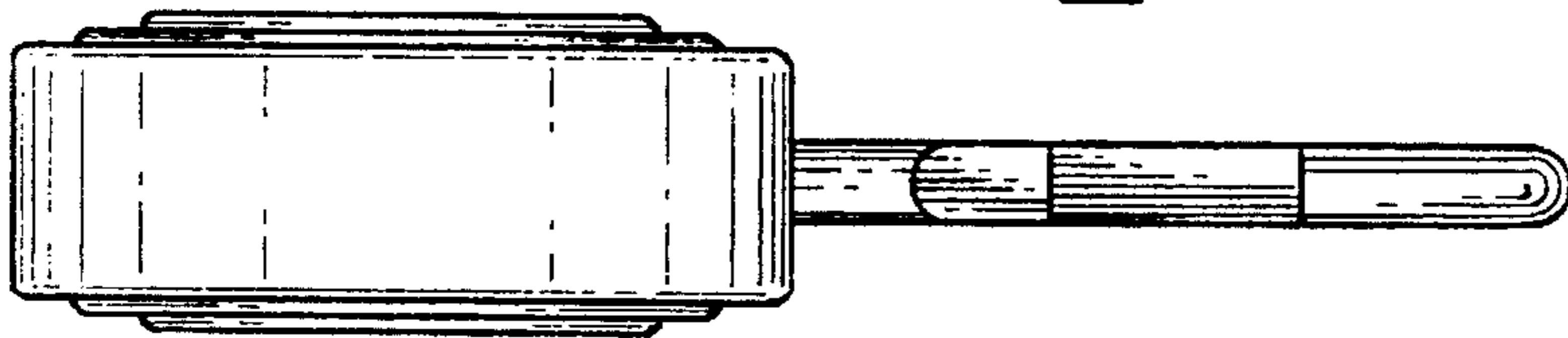


FIG. 3

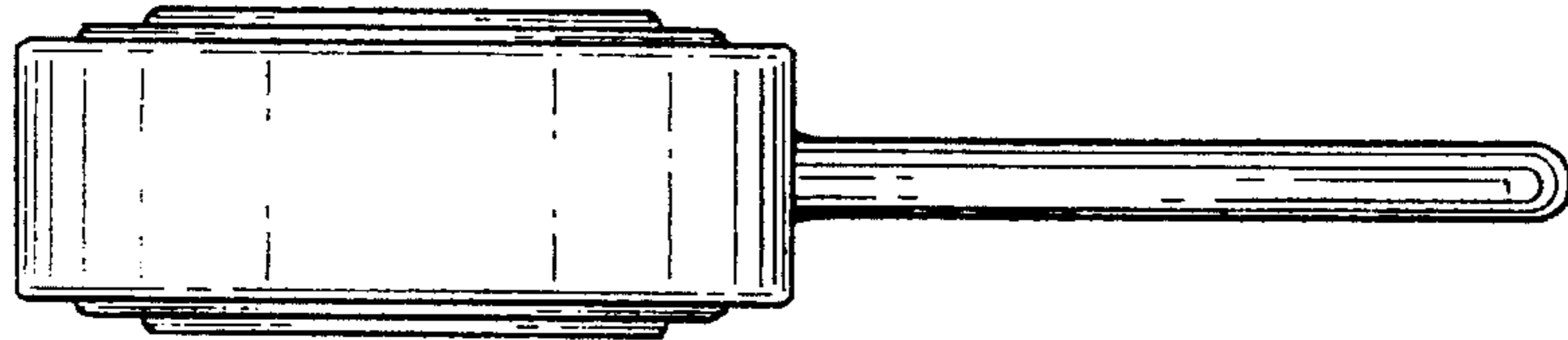


FIG. 4

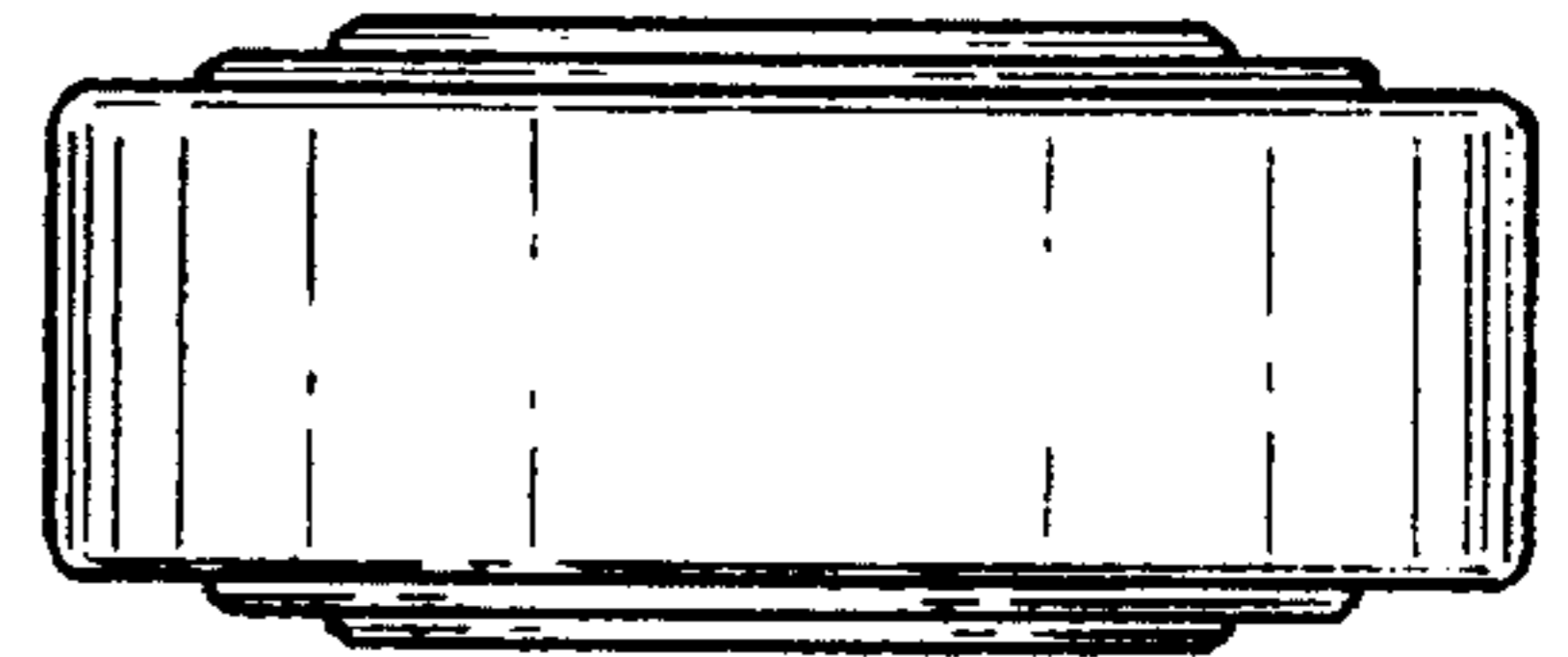


FIG. 5

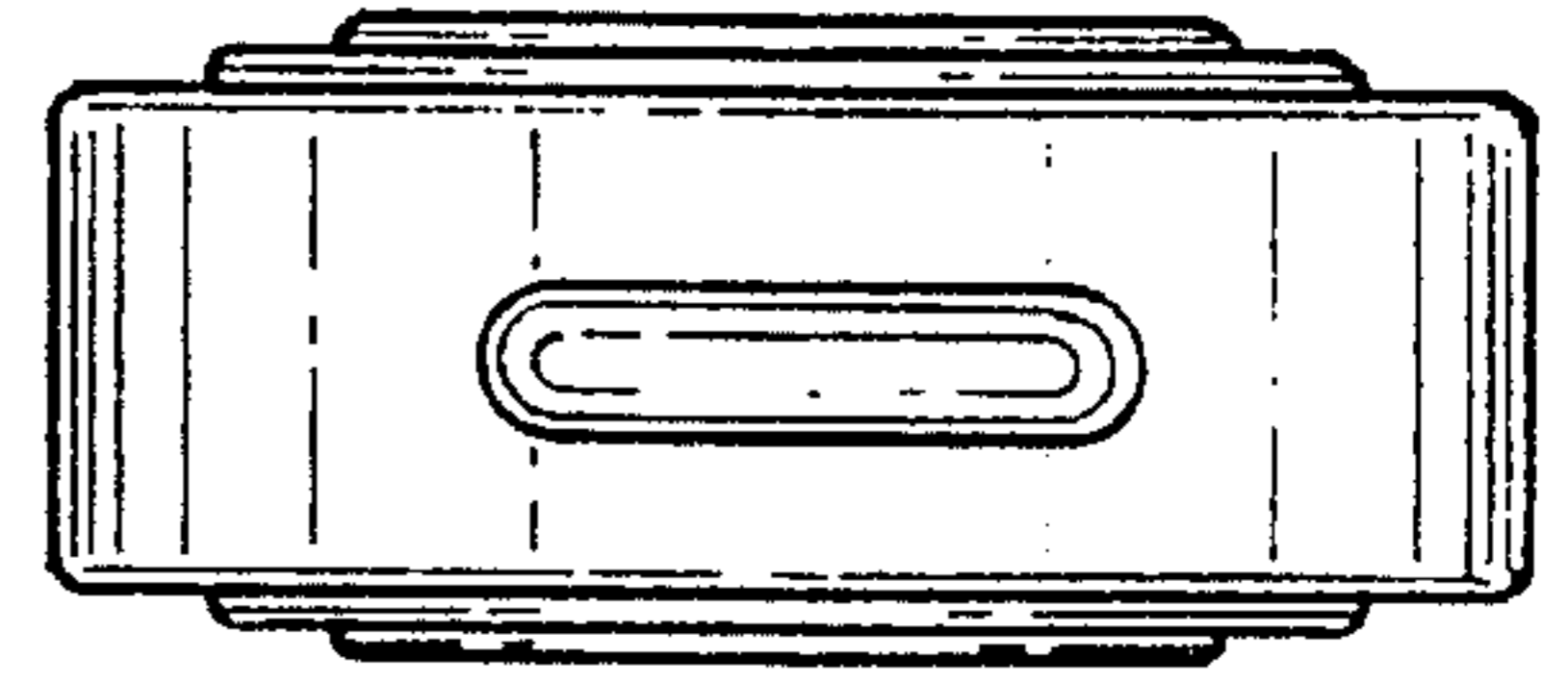


FIG. 6