



US00D370622S

United States Patent [19]
Byrne

[11] **Patent Number: Des. 370,622**

[45] **Date of Patent: **Jun. 11, 1996**

[54] **DOUBLE GROMMET STRUCTURE FOR LIFT-UP RECEPTACLES**

937880 12/1973 Canada 411/510

OTHER PUBLICATIONS

[76] Inventor: **Norman R. Byrne**, 2736 Honey Creek, N.E., Ada, Mich. 49301

Brochure entitled "AMP FLEX-MODE Interconnect Modules for voice and data," dated Sep. 1991.

[**] Term: **14 Years**

Brochure entitled "AMP FLEX-MODE Interconnect Modules for voice and data," dated Aug. 1990.

[21] Appl. No.: **34,315**

Primary Examiner—A. Hugo Word

[22] Filed: **Feb. 1, 1995**

Assistant Examiner—Holly Baynham

[52] U.S. Cl. **D8/356**

Attorney, Agent, or Firm—Varnum, Riddering, Schmidt & Howlett

[58] Field of Search D8/356; 16/2; 248/56; 174/153 G, 48

[57] **CLAIM**

[56] **References Cited**

The ornamental design for a double grommet structure for lift-up receptacles, as shown and described.

U.S. PATENT DOCUMENTS

DESCRIPTION

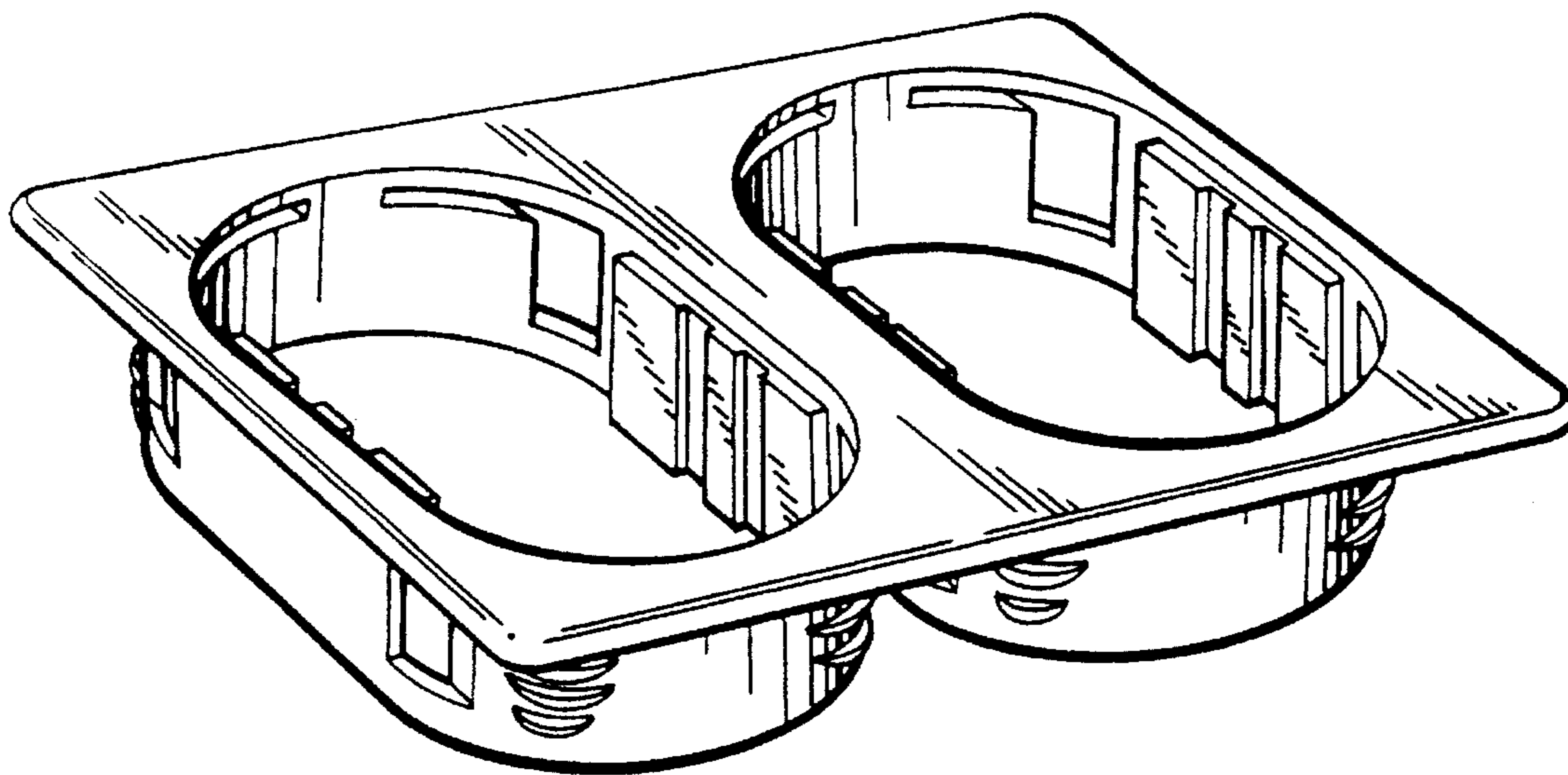
- D. 296,761 7/1988 Mockett D8/356 X
- D. 317,559 6/1991 Simonton D8/356
- 676,622 6/1901 Gochnauer .
- 2,811,574 10/1957 Guerrero .
- 2,861,857 11/1958 Lee et al. .
- 4,059,321 11/1977 Rasmussen et al. .
- 4,272,643 6/1981 Carroll et al. .
- 4,747,788 5/1988 Byrne .
- 4,959,509 9/1990 Takeuchi et al. 248/56 X

FIG. 1 is a perspective view of a double grommet structure for lift-up receptacles which embodies my design;
 FIG. 2 is a front view thereof, the opposite view being identical in appearance;
 FIG. 3 is a side view thereof, the opposite view being identical in appearance;
 FIG. 4 is a top view thereof; and,
 FIG. 5 is a bottom view thereof.

FOREIGN PATENT DOCUMENTS

- 2943/26 7/1926 Australia 174/48

1 Claim, 2 Drawing Sheets



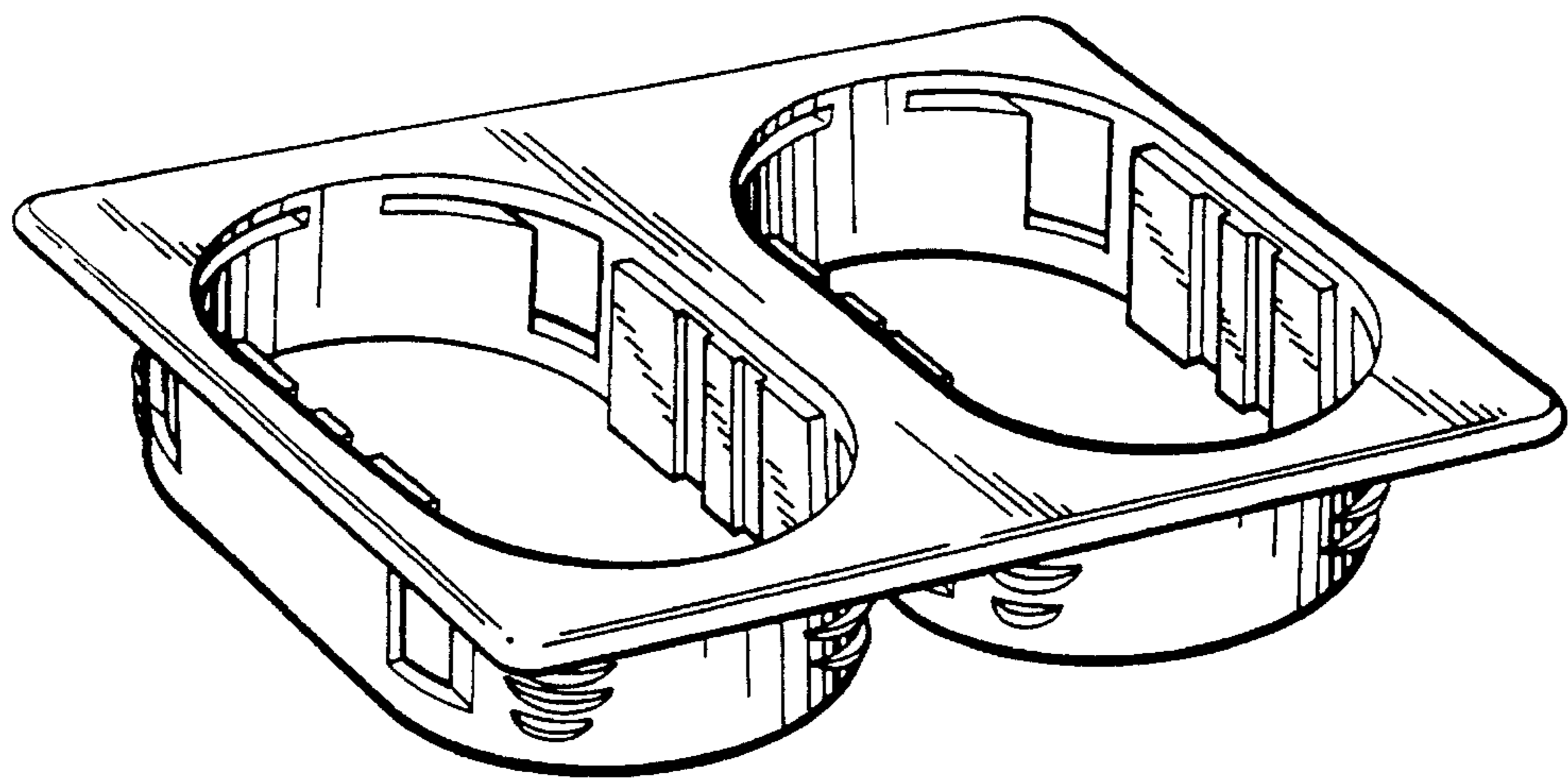


Fig. 1

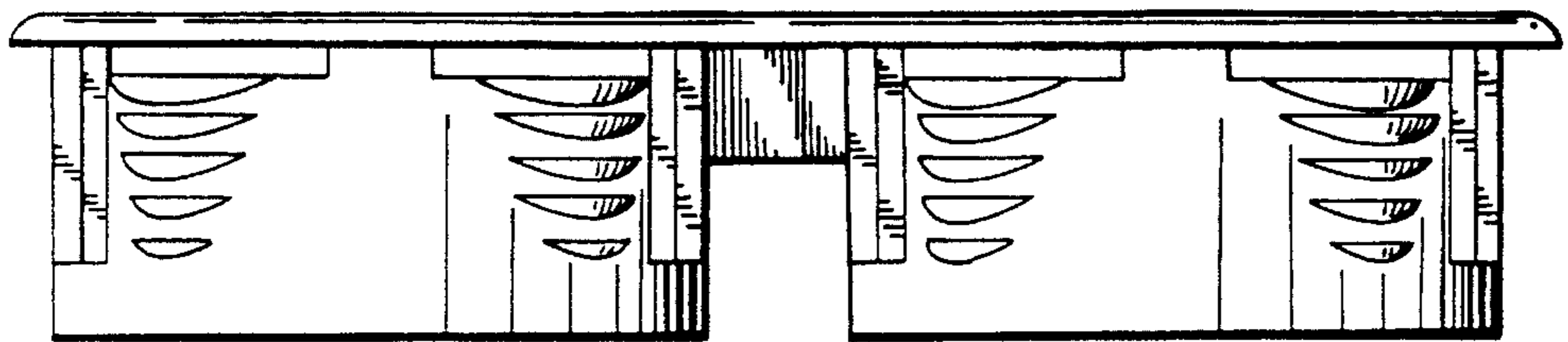


Fig. 2

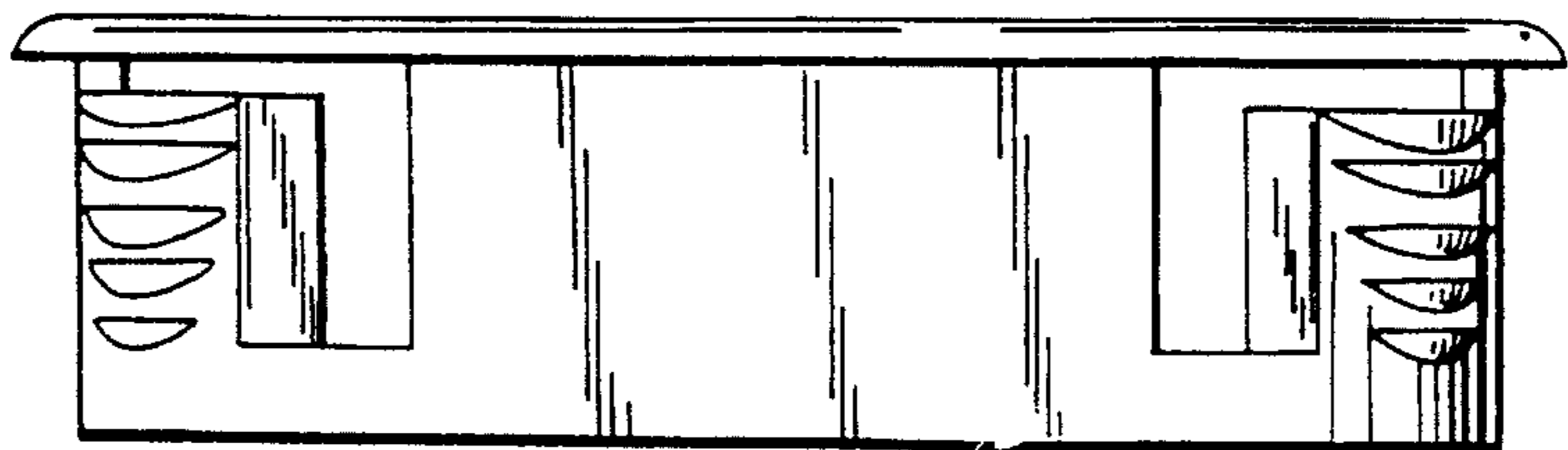


Fig. 3

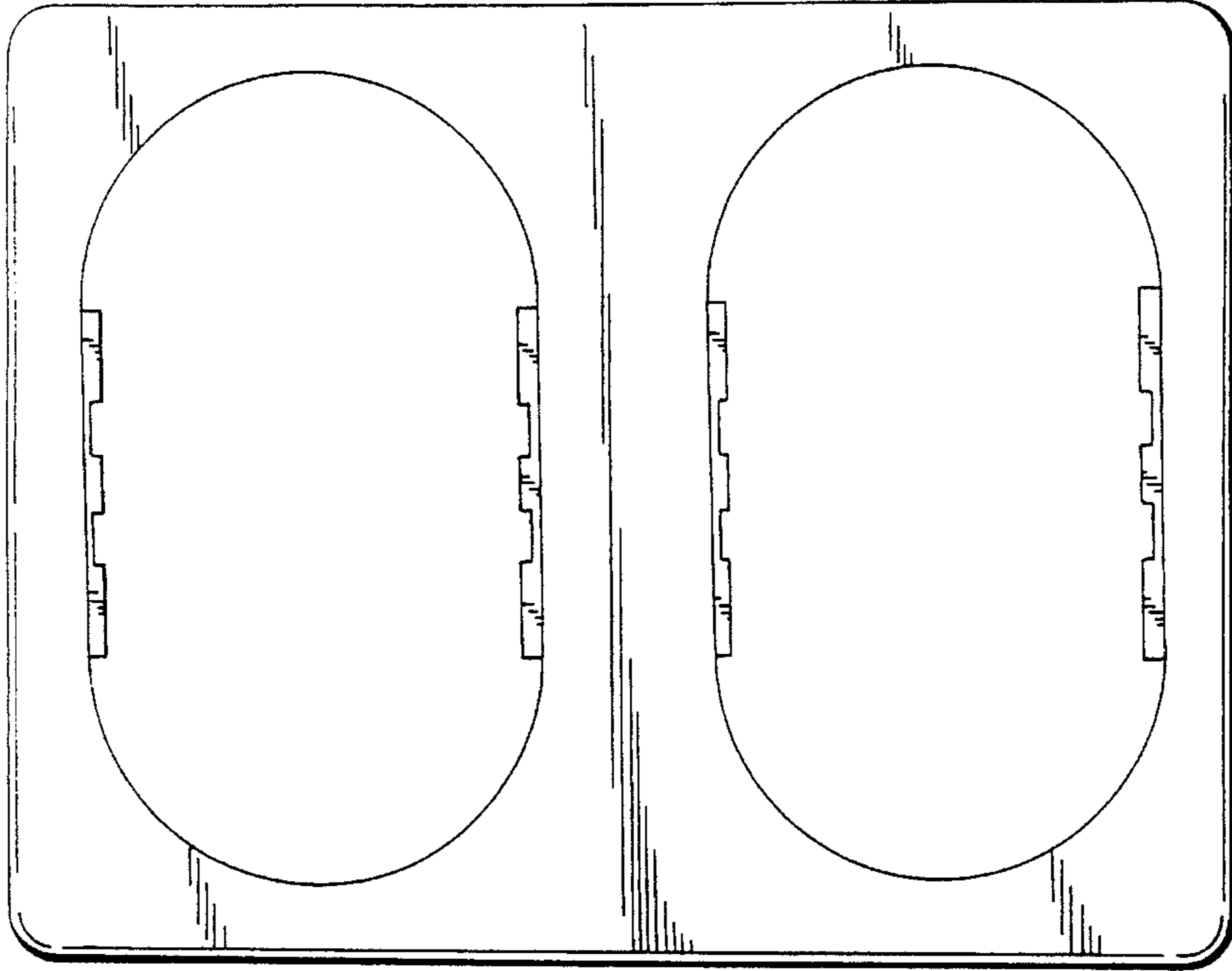


Fig. 4

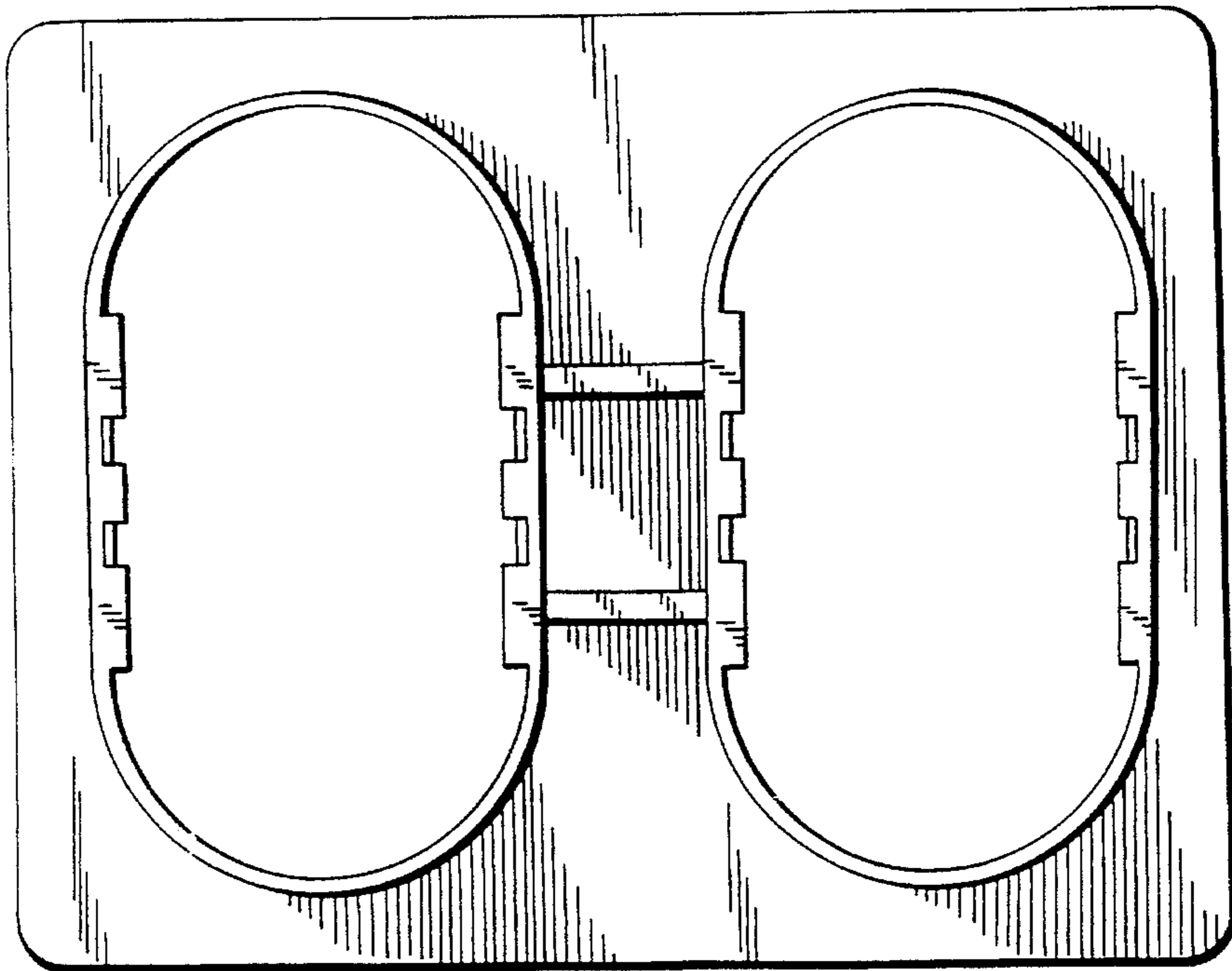


Fig. 5