



US00D370619S

United States Patent [19]

Hall et al.

[11] Patent Number: **Des. 370,619**

[45] Date of Patent: ****Jun. 11, 1996**

- [54] **OVER-CENTER LATCH FOR A UTILITY BOX**
- [75] Inventors: **Roberta S. Hall**, Sparks, Md.; **Michael D. Dolson**, Millbrook, Canada
- [73] Assignee: **Black & Decker Inc.**, Newark, Del.
- [**] Term: **14 Years**
- [21] Appl. No.: **27,092**
- [22] Filed: **Aug. 12, 1994**
- [52] U.S. Cl. **D8/338**
- [58] Field of Search D8/330-331, 336, D8/338; 292/95, 113, 137, 194, 200, 202, 203

- 4,627,650 12/1986 Hauschulte .
- 4,679,833 7/1987 Dueringer .
- 4,705,308 11/1987 Bisbing .
- 4,768,651 9/1988 Lanius .
- 4,804,215 2/1989 Bisbing .
- 4,828,298 5/1989 Bisbing .
- 4,830,413 5/1989 Bisbing .
- 4,890,869 1/1990 Langkamp, Jr. .
- 4,993,585 2/1991 McMahon .
- 5,011,013 4/1991 Meisner et al. .
- 5,111,920 5/1992 Castelli et al. .
- 5,127,684 7/1992 Klotz et al. .
- 5,193,706 3/1993 Hanna et al. .
- 5,257,839 11/1993 Nielsen et al. .

FOREIGN PATENT DOCUMENTS

- 0554185A1 1/1993 European Pat. Off. .

Primary Examiner—Brian N. Vinson
Attorney, Agent, or Firm—Harness, Dickey & Pierce

[56] References Cited

U.S. PATENT DOCUMENTS

- D. 188,469 7/1960 Humphries D8/338
- D. 308,915 7/1990 Lanius .
- D. 328,819 8/1992 Hanna et al. .
- 2,690,921 10/1954 Braun .
- 2,743,029 4/1956 Mautner .
- 3,018,017 1/1962 Hill .
- 3,088,623 5/1963 Parker .
- 3,109,675 11/1963 Anderson .
- 3,127,205 3/1964 Griffiths et al. .
- 3,181,905 5/1965 Bisbing .
- 3,466,076 9/1969 Bisbing .
- 3,534,992 10/1970 Swanson .
- 4,023,840 5/1977 Souza et al. .
- 4,082,390 4/1978 Gibson et al. .
- 4,284,202 8/1981 Barstow, Jr. .
- 4,326,739 4/1982 Schlueter .
- 4,522,436 6/1985 Hoen et al. .
- 4,540,206 9/1985 Frame et al. .
- 4,550,813 11/1985 Browning .
- 4,621,404 11/1986 Browning .

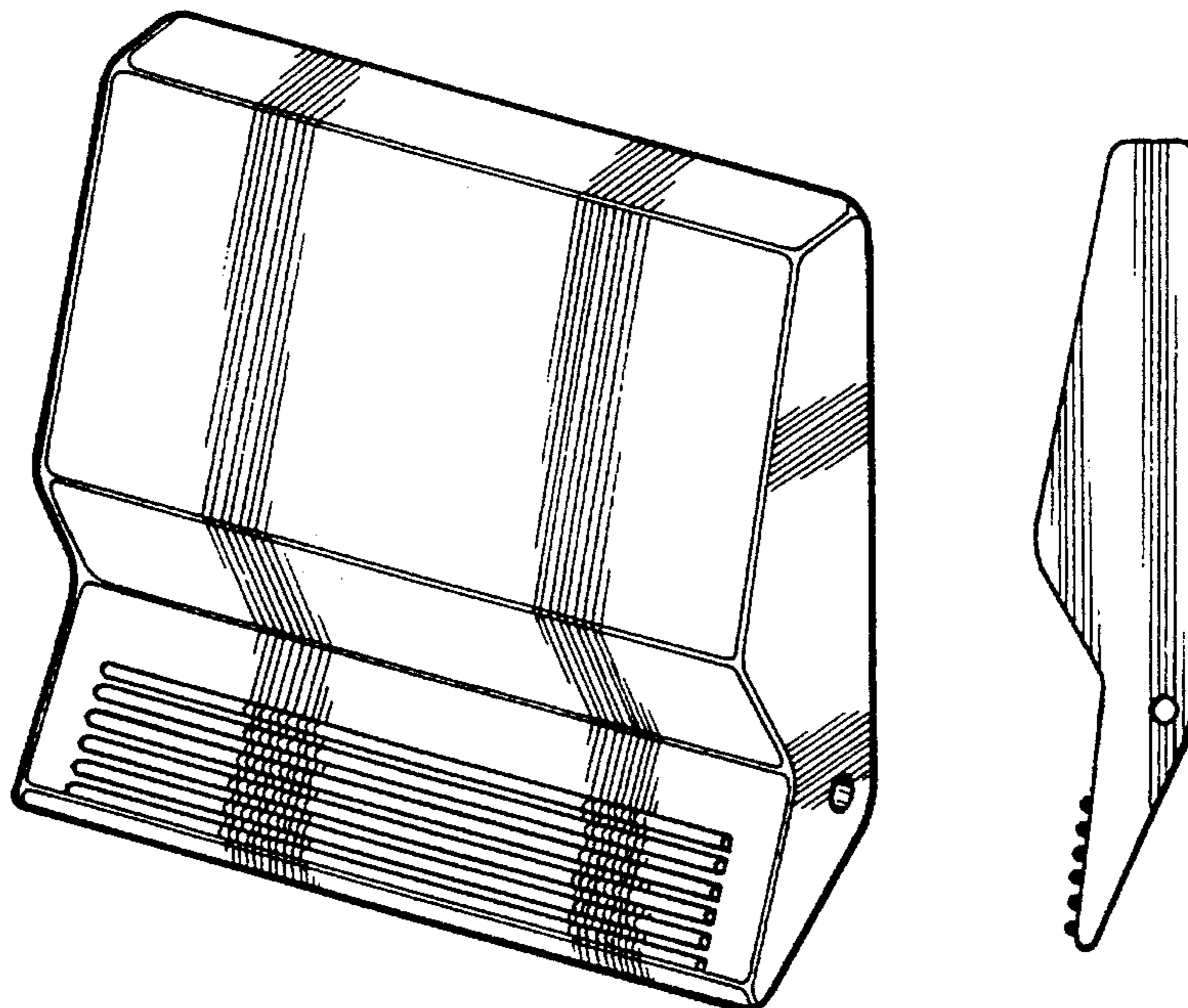
[57] CLAIM

The ornamental design for an over-center latch for a utility box, as shown and described.

DESCRIPTION

FIG. 1 is a perspective view of an over-center latch according to the present invention;
 FIG. 2 is a front elevational view of the over-center latch shown in FIG. 1;
 FIG. 3 is a top plan view of the over-center latch shown in FIG. 1;
 FIG. 4 is a bottom plan view of the over-center latch shown in FIG. 1;
 FIG. 5 is a right side elevational view of the over-center latch shown in FIG. 1; and,
 FIG. 6 is a left side elevational view of the over-center latch shown in FIG. 1.

1 Claim, 2 Drawing Sheets



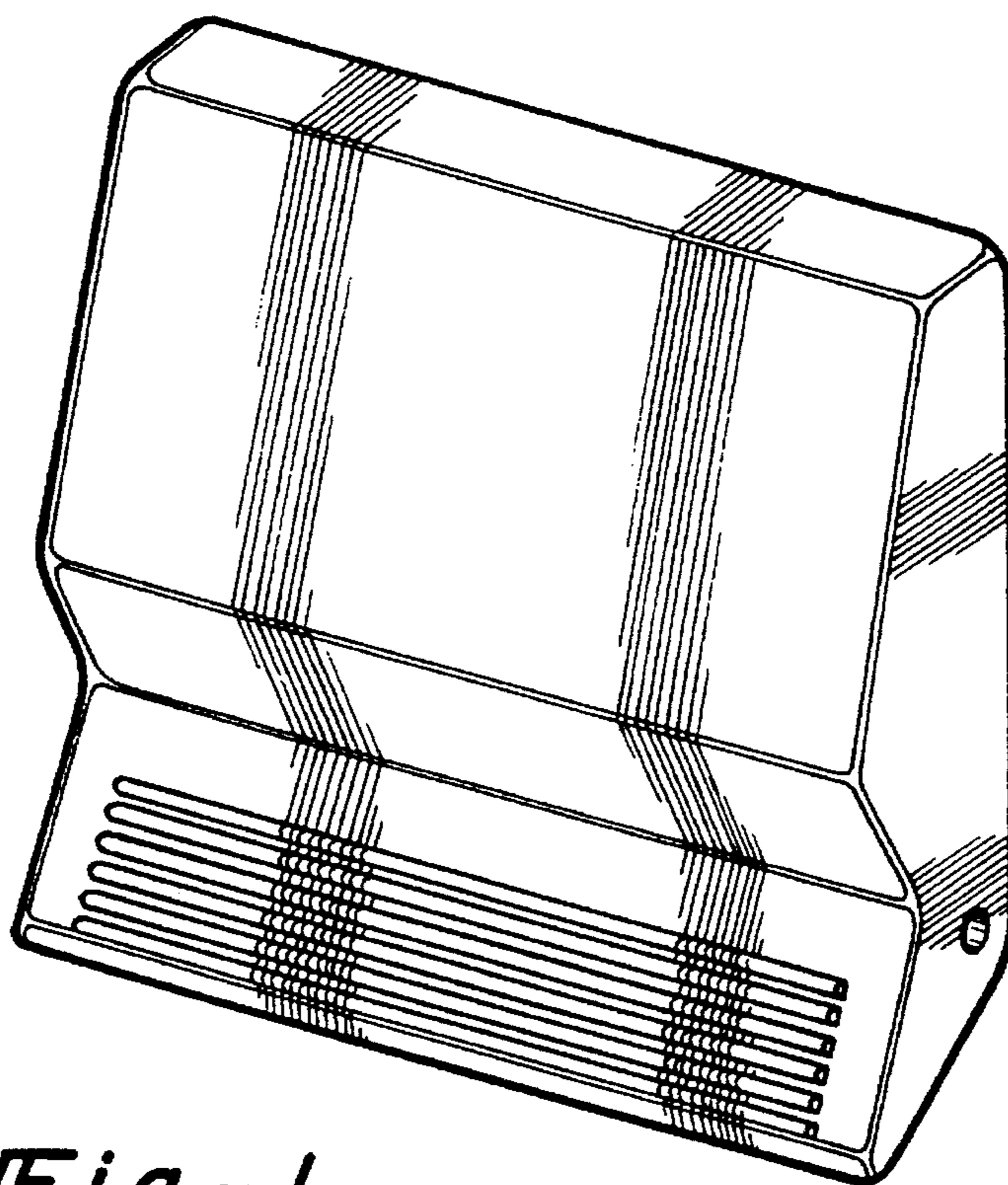


Fig - 1

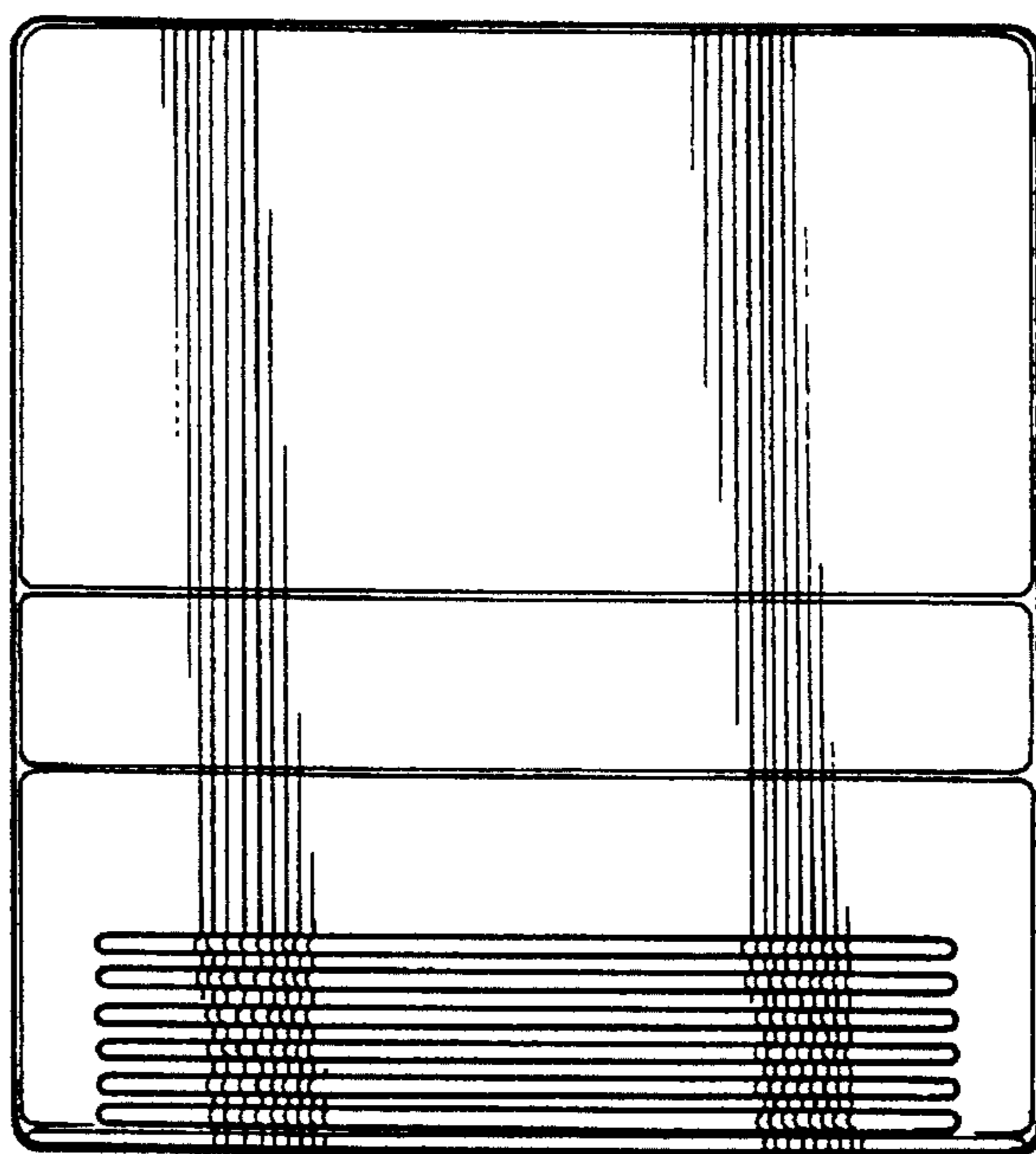


Fig - 2

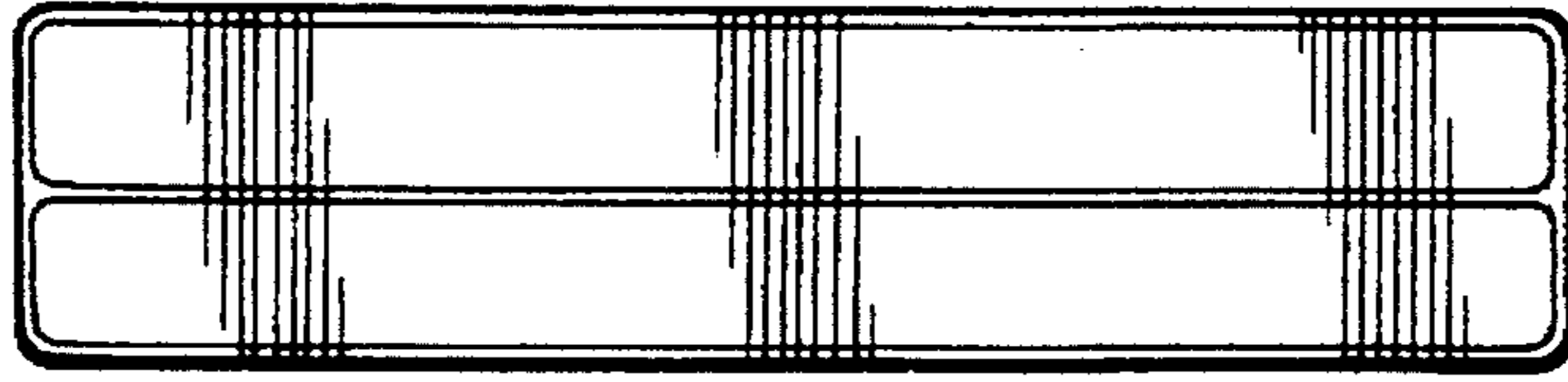


Fig - 3

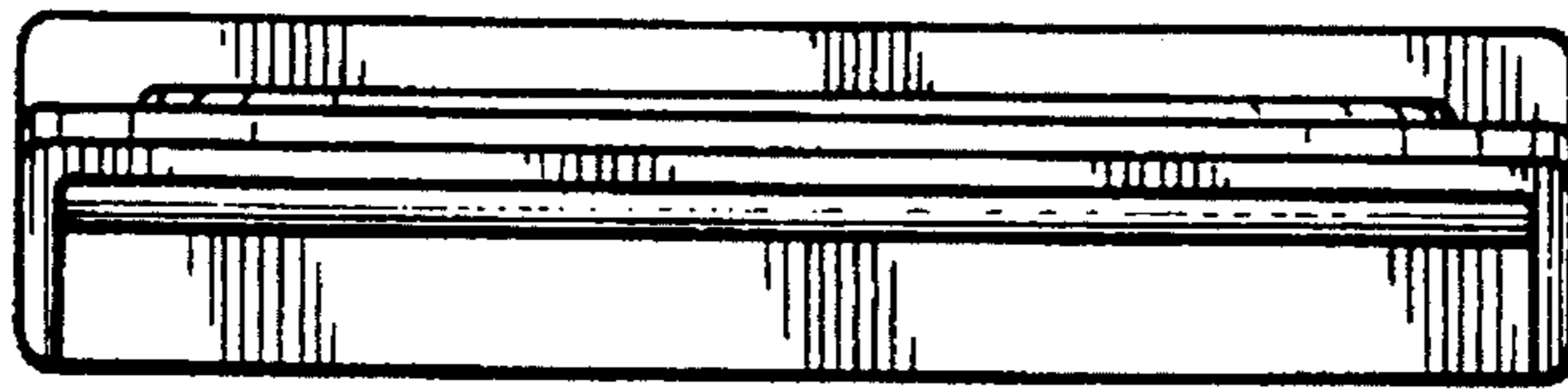


Fig - 4

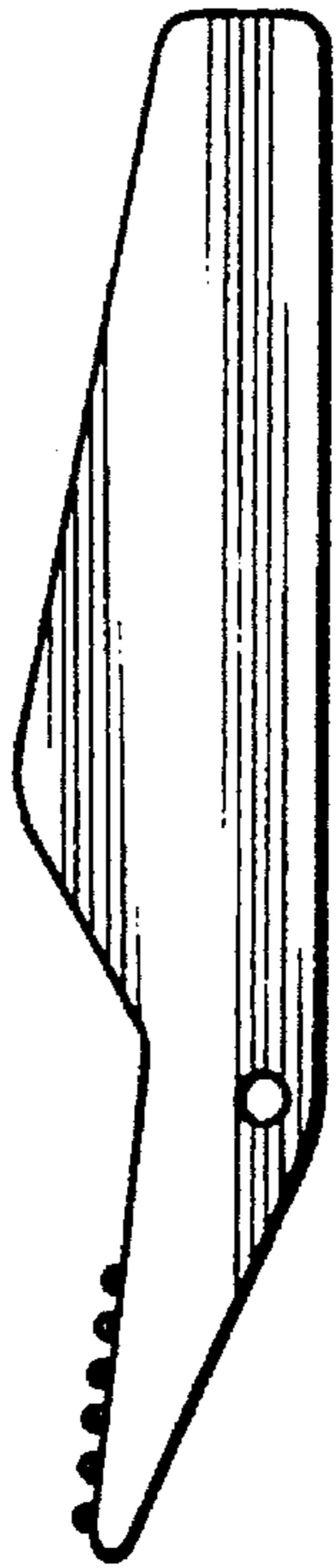


Fig - 5



Fig - 6