



US00D370616S

**United States Patent** [19]  
**Fard**

[11] **Patent Number: Des. 370,616**  
[45] **Date of Patent: \*\*Jun. 11, 1996**

[54] **STEERING WHEEL LOCK**

[76] Inventor: **Seyed Y. Fard**, 3943 CMTO Amparo,  
San Diego, Calif. 92122

[\*\*] Term: **14 Years**

[21] Appl. No.: **39,038**

[22] Filed: **May 19, 1995**

[52] U.S. Cl. .... **D8/331**

[58] **Field of Search** ..... D8/330, 331, 339,  
D8/341; 70/207-211, 214-217, 225-227,  
237-238, 252-253

[56] **References Cited**

**U.S. PATENT DOCUMENTS**

D. 325,157 4/1992 Chen ..... D8/331  
D. 325,511 4/1992 Jans et al. .... D8/331

**FOREIGN PATENT DOCUMENTS**

2106058A 4/1983 United Kingdom ..... D8/331 X

*Primary Examiner*—Brian N. Vinson

*Attorney, Agent, or Firm*—Baker, Maxham, Jester & Meador

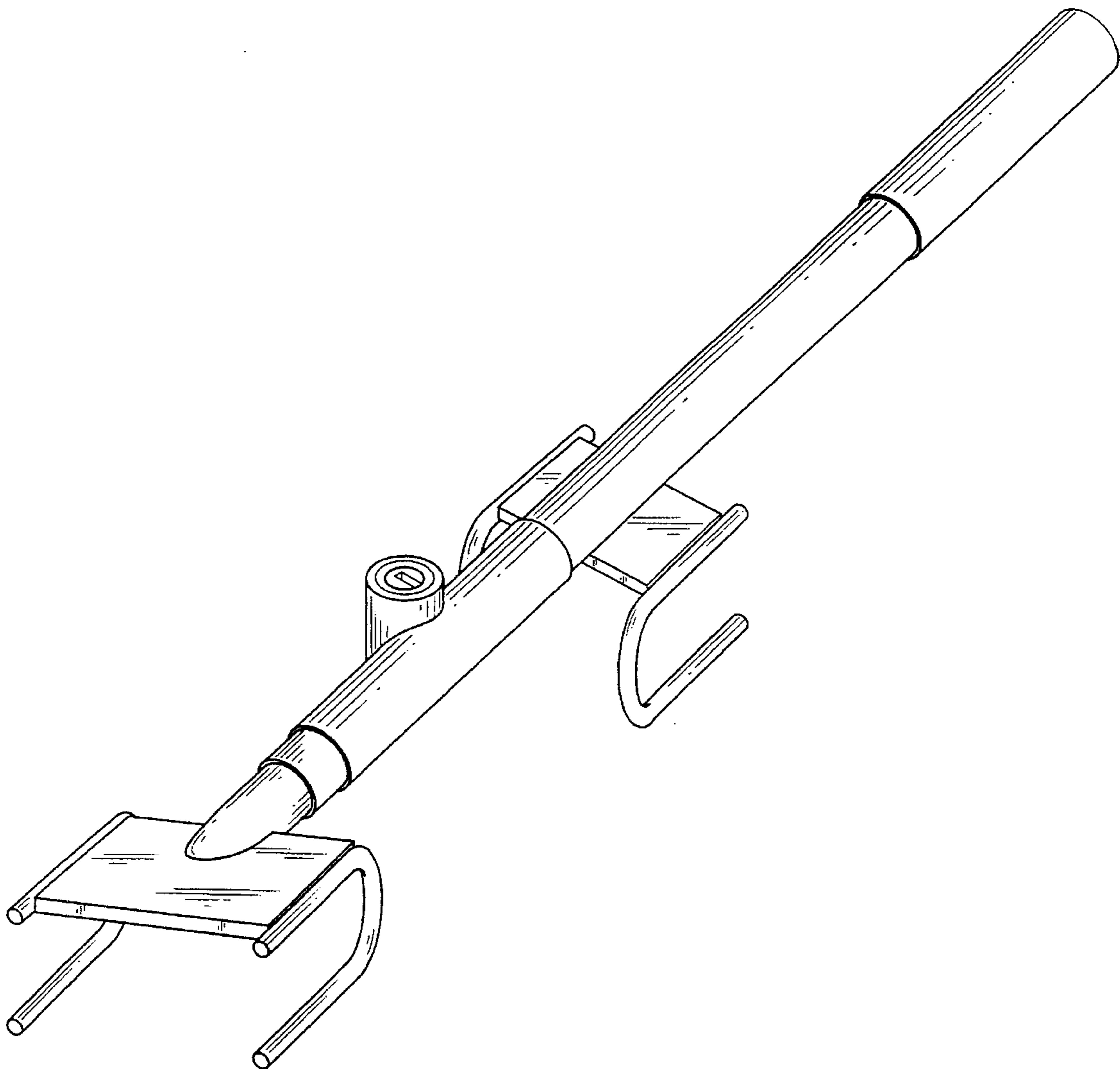
[57] **CLAIM**

The ornamental design for a steering wheel lock, as shown.

**DESCRIPTION**

FIG. 1 is a perspective view of my new steering wheel lock;  
FIG. 2 is a top plan view of my new design;  
FIG. 3 is a bottom view of my new design;  
FIG. 4 is a right side view of my new design;  
FIG. 5 is a left side view of my new design;  
FIG. 6 is a front end view of my new design; and,  
FIG. 7 is a rear end view of my new design.

**1 Claim, 4 Drawing Sheets**



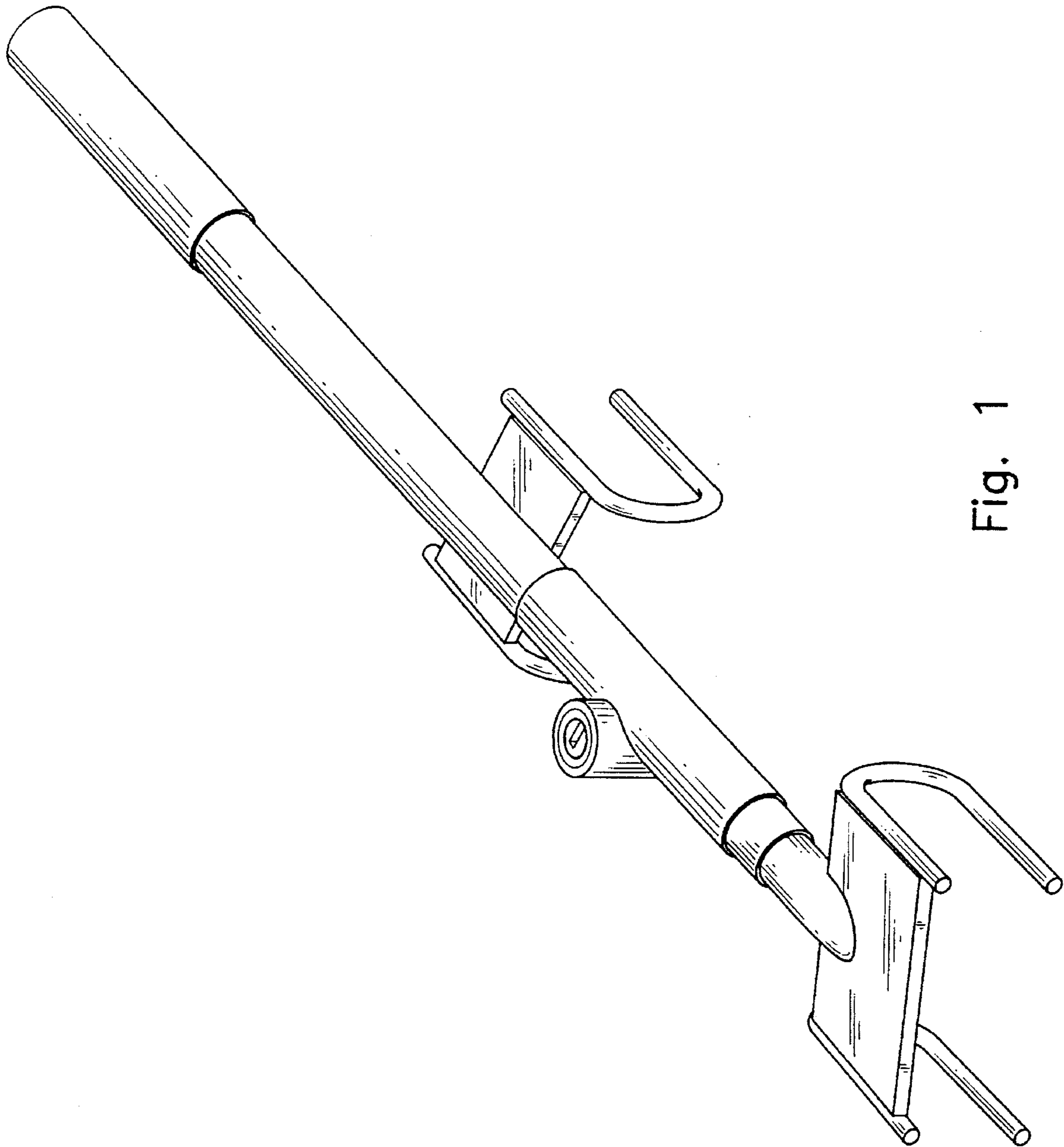


Fig. 1

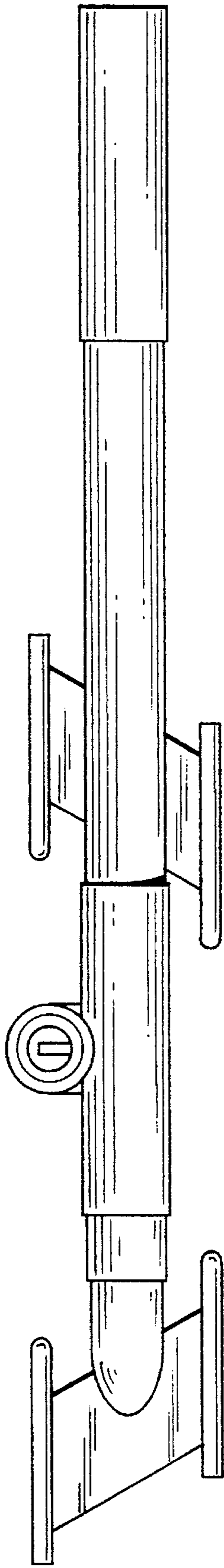


Fig. 2

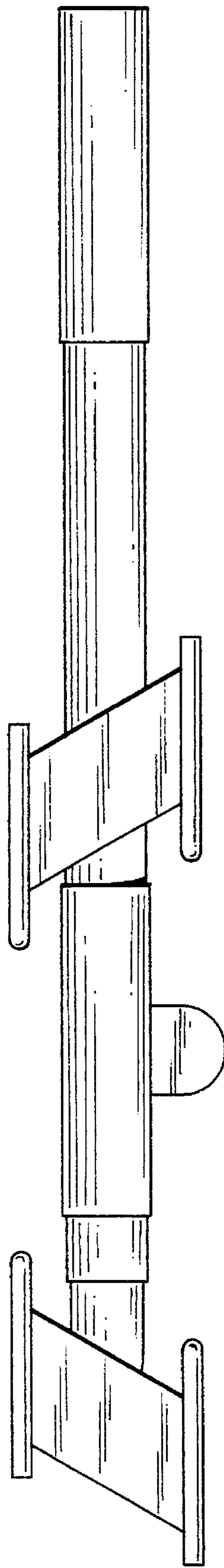


Fig. 3

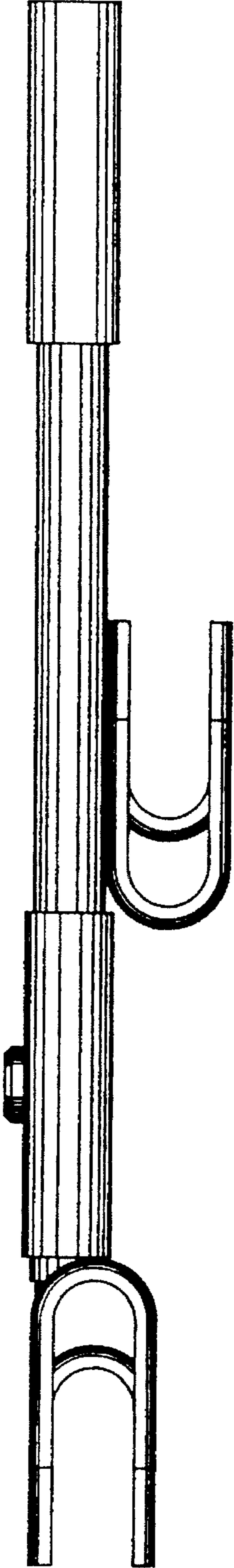


Fig. 4

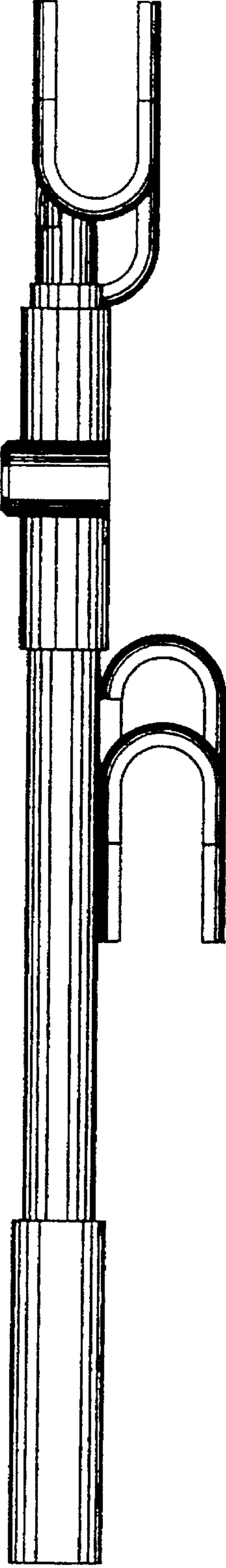


Fig. 5

Fig. 7

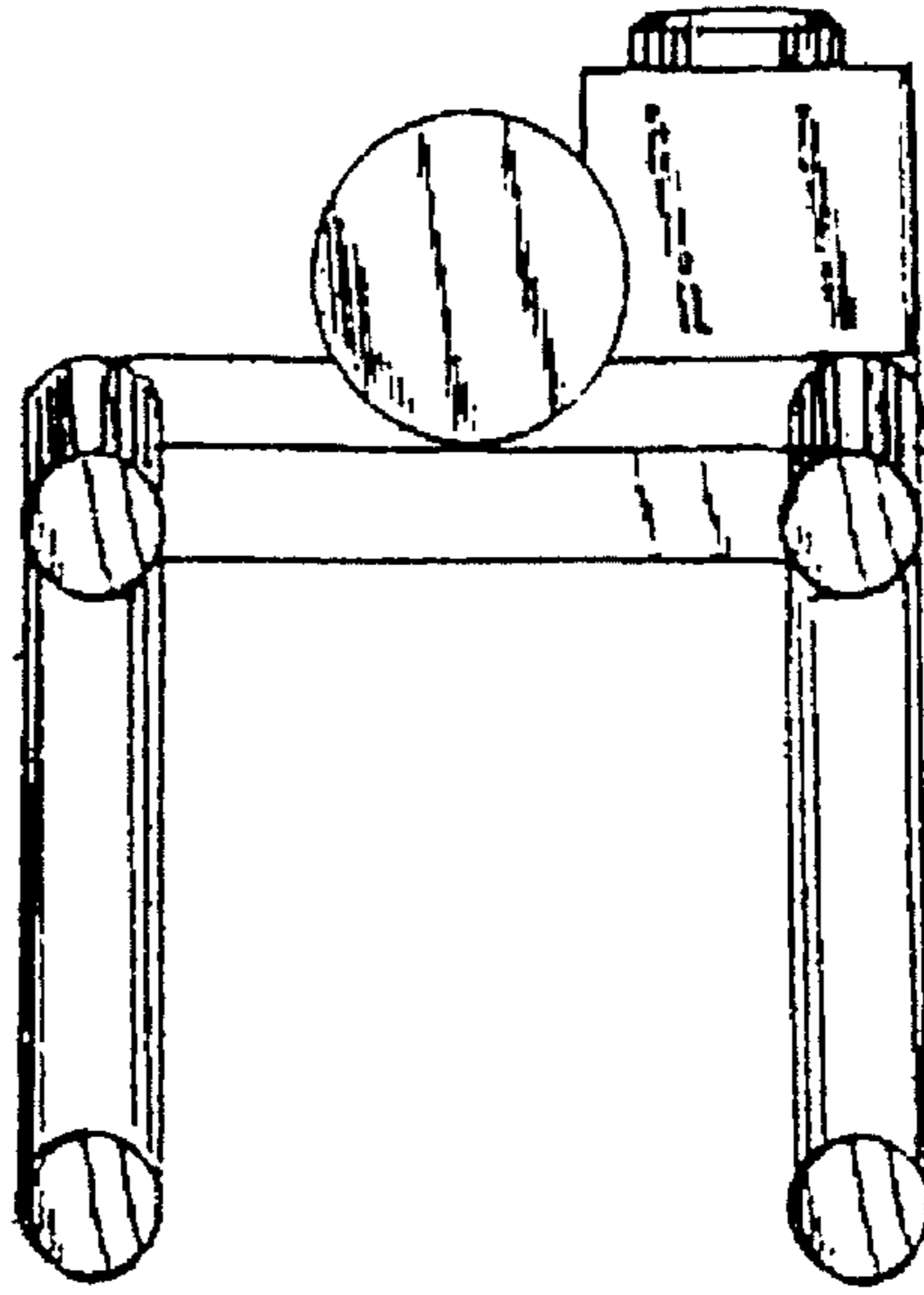


Fig. 6

