



US00D370611S

# United States Patent [19]

[11] Patent Number: **Des. 370,611**

**Frick et al.**

[45] Date of Patent: **\*\*Jun. 11, 1996**

[54] **KNIFE**

[75] Inventors: **Anders Frick; Mats Engnell**, both of Iggesund, Sweden

[73] Assignee: **Iggesund Tools AB**, Iggesund, Sweden

[\*\*] Term: **14 Years**

[21] Appl. No.: **32,256**

[22] Filed: **Dec. 12, 1994**

### [30] Foreign Application Priority Data

Jun. 29, 1994 [SE] Sweden ..... 94-1453

[52] U.S. Cl. .... **D8/98; D15/139; D25/123; D32/41**

[58] Field of Search ..... D8/14, 16, 98, D8/45, 90, 91; D1/126; D7/688; D25/119, 120, 121, 122, 123, 124, 125; 30/169; D32/40, 41; D15/139, 138

### [56] References Cited

#### U.S. PATENT DOCUMENTS

D. 35,006 8/1901 White ..... D25/121  
D. 173,462 11/1954 Schmoller ..... D32/41

D. 214,085	5/1969	Fremdling	.....	D32/41
D. 276,564	11/1984	Leininger	.....	D32/41
D. 280,247	8/1985	Jones	.....	D32/41
D. 310,287	9/1990	Pellegrino	.....	D25/123
D. 340,534	10/1993	McConnell et al.	.....	D25/119
4,423,758	1/1984	Haller et al.	.....	144/241
4,503,893	3/1985	Demopoulos	.....	144/176
4,569,380	2/1986	Arasmith	.....	144/176
4,754,789	7/1988	Jonsson	.....	144/176
4,977,937	12/1990	Hessenthaler	.....	144/218
5,183,089	2/1993	Norlander et al.	.....	144/218

Primary Examiner—Philip S. Hyder  
Attorney, Agent, or Firm—Nixon & Vanderhye

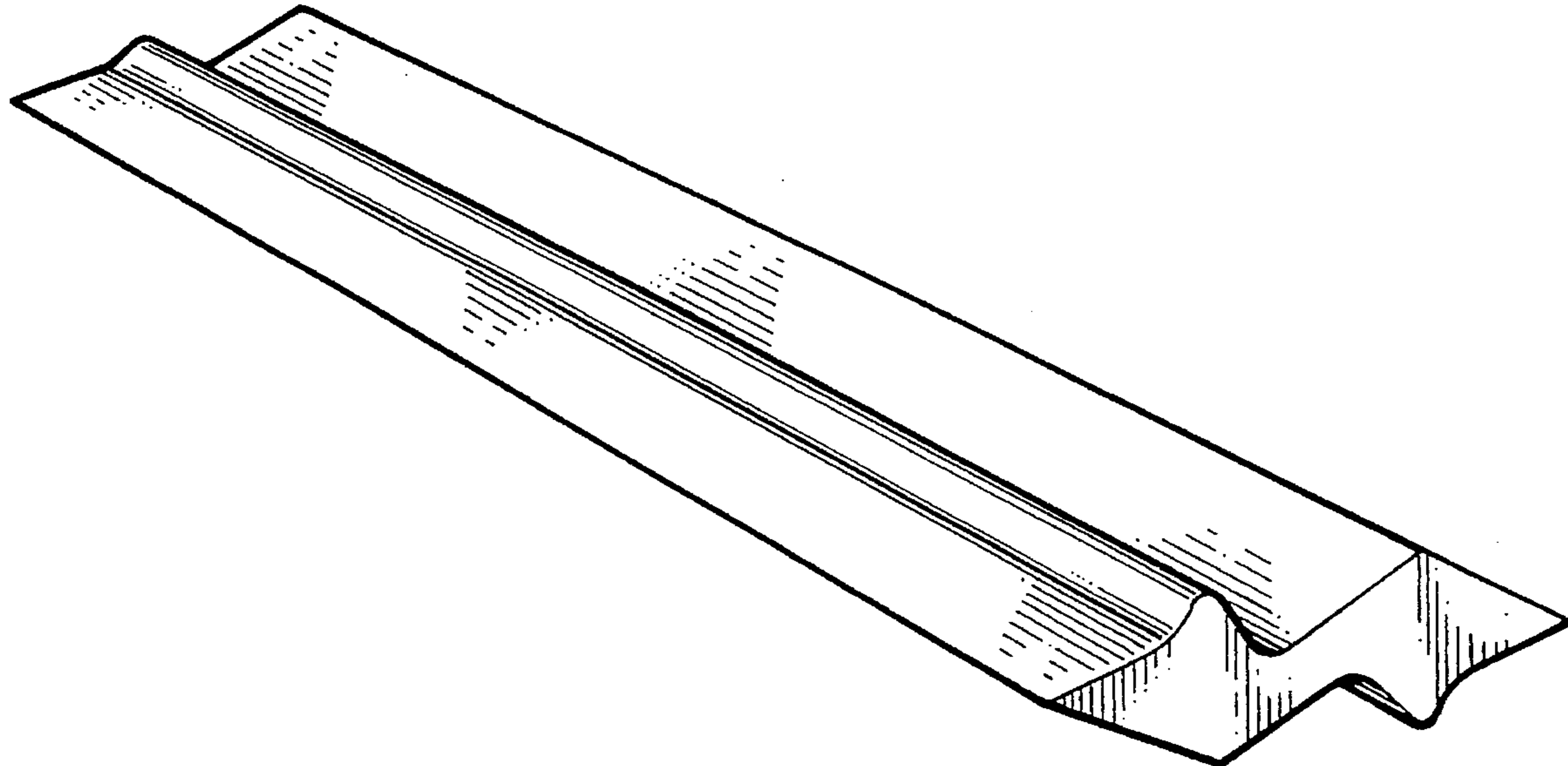
### [57] CLAIM

The ornamental design for a knife, as shown and described.

### DESCRIPTION

FIG. 1 is a top perspective view of a knife according to our design;  
FIG. 2 is a bottom perspective view;  
FIG. 3 is an end elevational view, the opposite end elevational view being a mirror image;  
FIG. 4 is a right side view of the knife of FIG. 1; and,  
FIG. 5 is a left side view of the knife of FIG. 1.

**1 Claim, 1 Drawing Sheet**



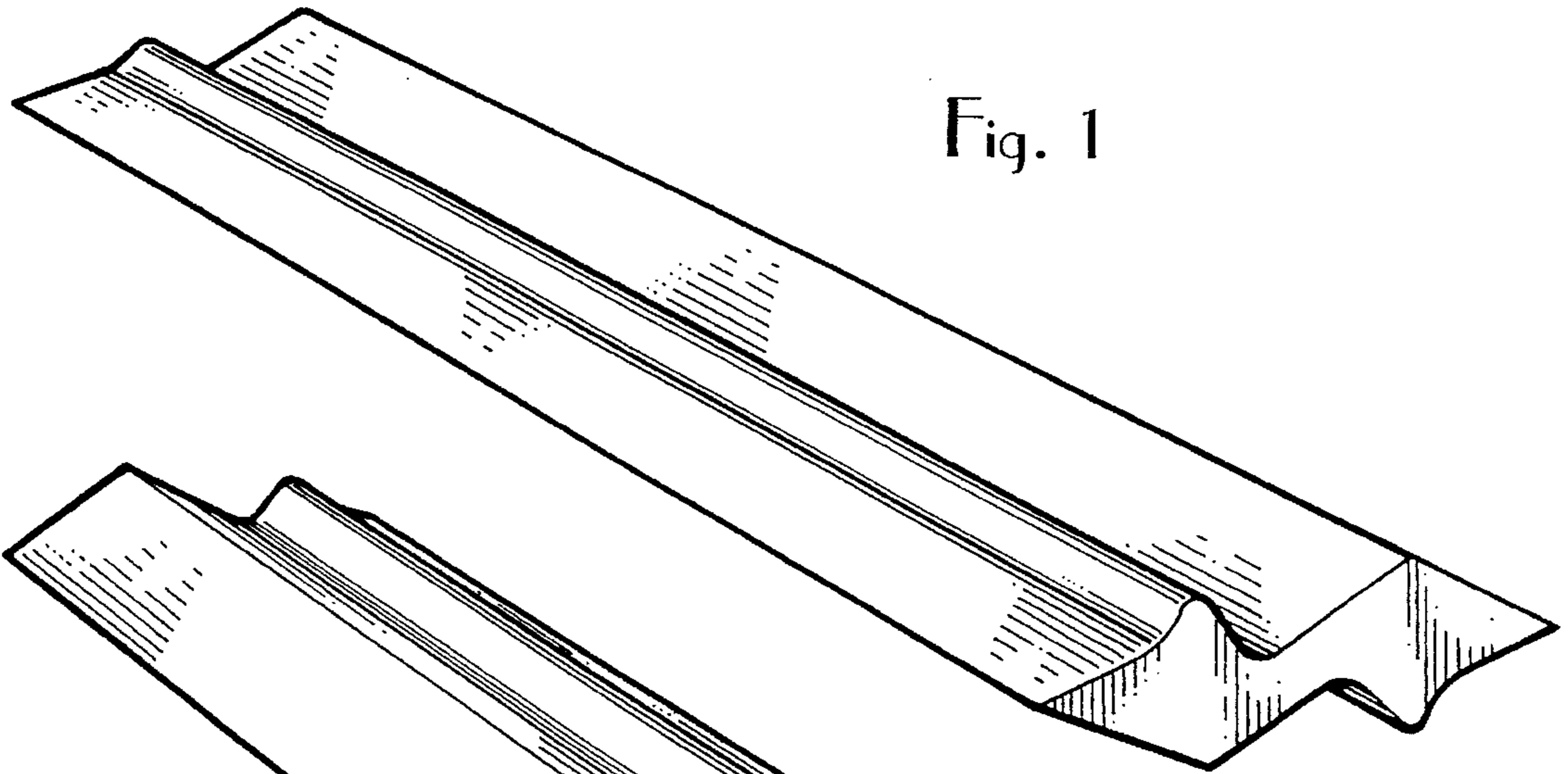


Fig. 1

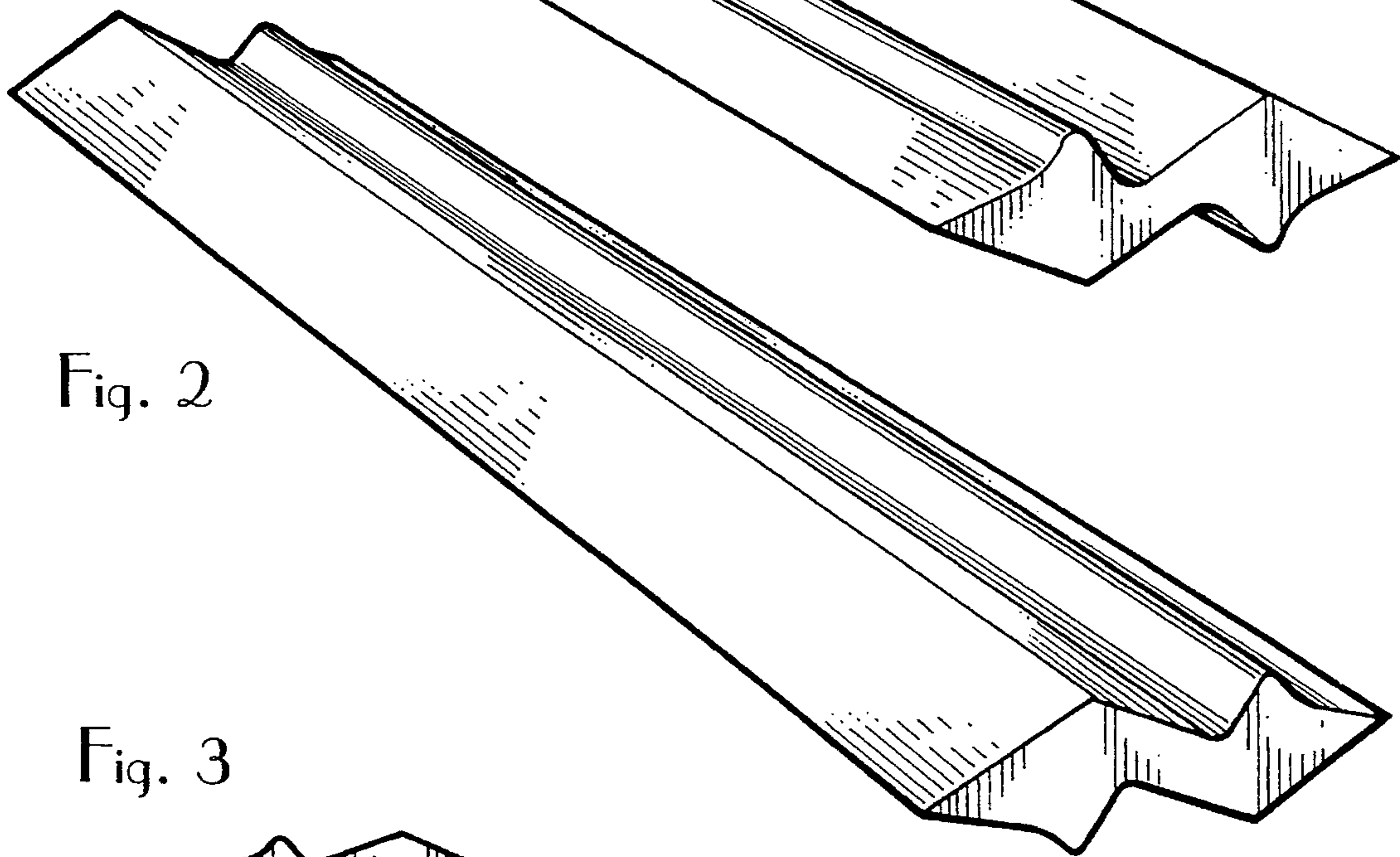


Fig. 2

Fig. 3



Fig. 4

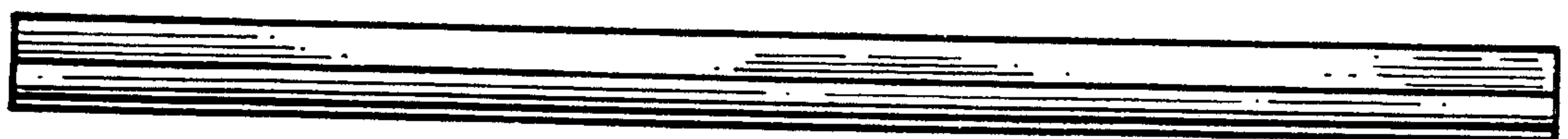
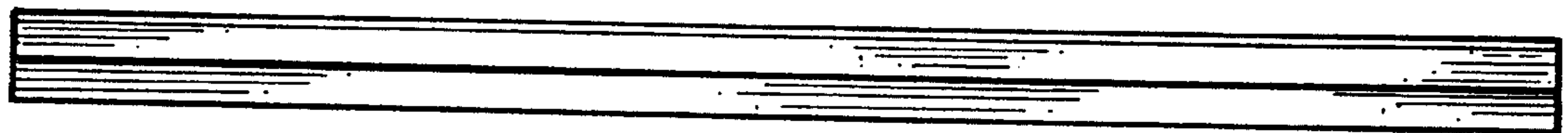


Fig. 5