



US00D370610S

United States Patent [19] Neyton

[11] Patent Number: **Des. 370,610**

[45] Date of Patent: ****Jun. 11, 1996**

- [54] HACKSAW
- [75] Inventor: **Jean-Claude Neyton**, Paris, France
- [73] Assignee: **Facom**, Morangis, France
- [**] Term: **14 Years**
- [21] Appl. No.: **19,055**
- [22] Filed: **Feb. 22, 1994**
- [52] U.S. Cl. **D8/96**
- [58] Field of Search D8/95, 96, 97;
30/506, 507, 511, 513, 514, 515, 516, 517

4,376,456 3/1983 Jacoff 30/506
4,592,145 6/1986 Egan et al. 30/513

OTHER PUBLICATIONS

Greenlee advertisement, Jun. 1985, Hacksaws.

Primary Examiner—Philip S. Hyder
Attorney, Agent, or Firm—Wenderoth, Lind & Ponack

[57] CLAIM

The ornamental design for a hacksaw, as shown and described.

DESCRIPTION

FIG. 1 is a left, front perspective view of a hacksaw showing my new design;
 FIG. 2 is a front elevational view thereof;
 FIG. 3 is a rear elevational view thereof;
 FIG. 4 is a top plan view thereof;
 FIG. 5 is a bottom plan view thereof;
 FIG. 6 is a left side elevational view thereof; and,
 FIG. 7 is a right side elevational view thereof.

[56] References Cited

U.S. PATENT DOCUMENTS

D. 152,996	3/1949	McQuillan	D8/96
D. 233,212	10/1974	Dreier	D8/96
D. 240,009	5/1976	Breger	D8/96
D. 245,754	9/1977	Breger	D8/96
D. 262,600	1/1982	Crick	D8/96
D. 276,407	11/1984	Jacoff	D8/96
D. 318,006	7/1991	Wanner et al.	D8/96
4,349,059	9/1982	Hepworth et al.	30/513

1 Claim, 3 Drawing Sheets

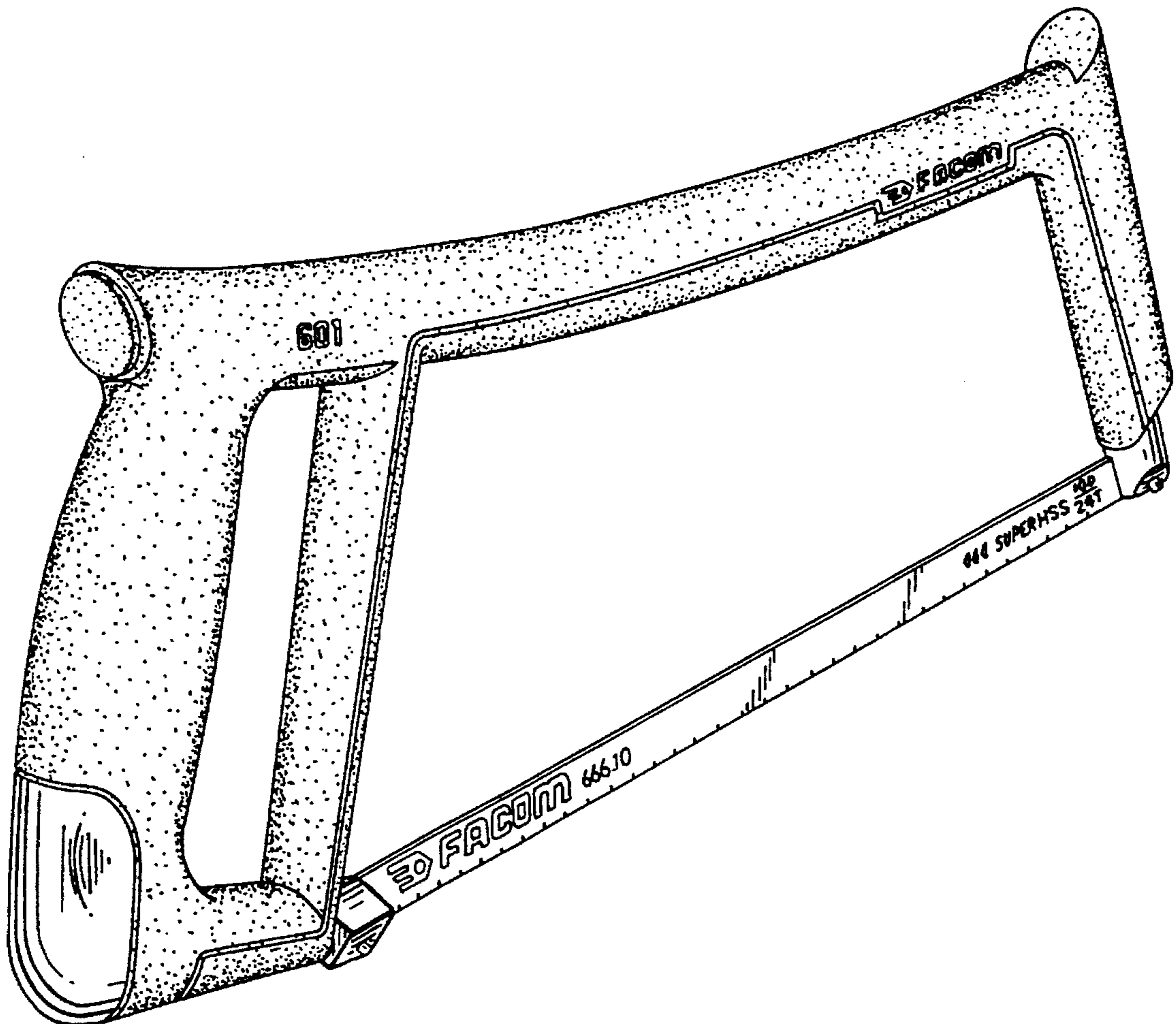


FIG. 1

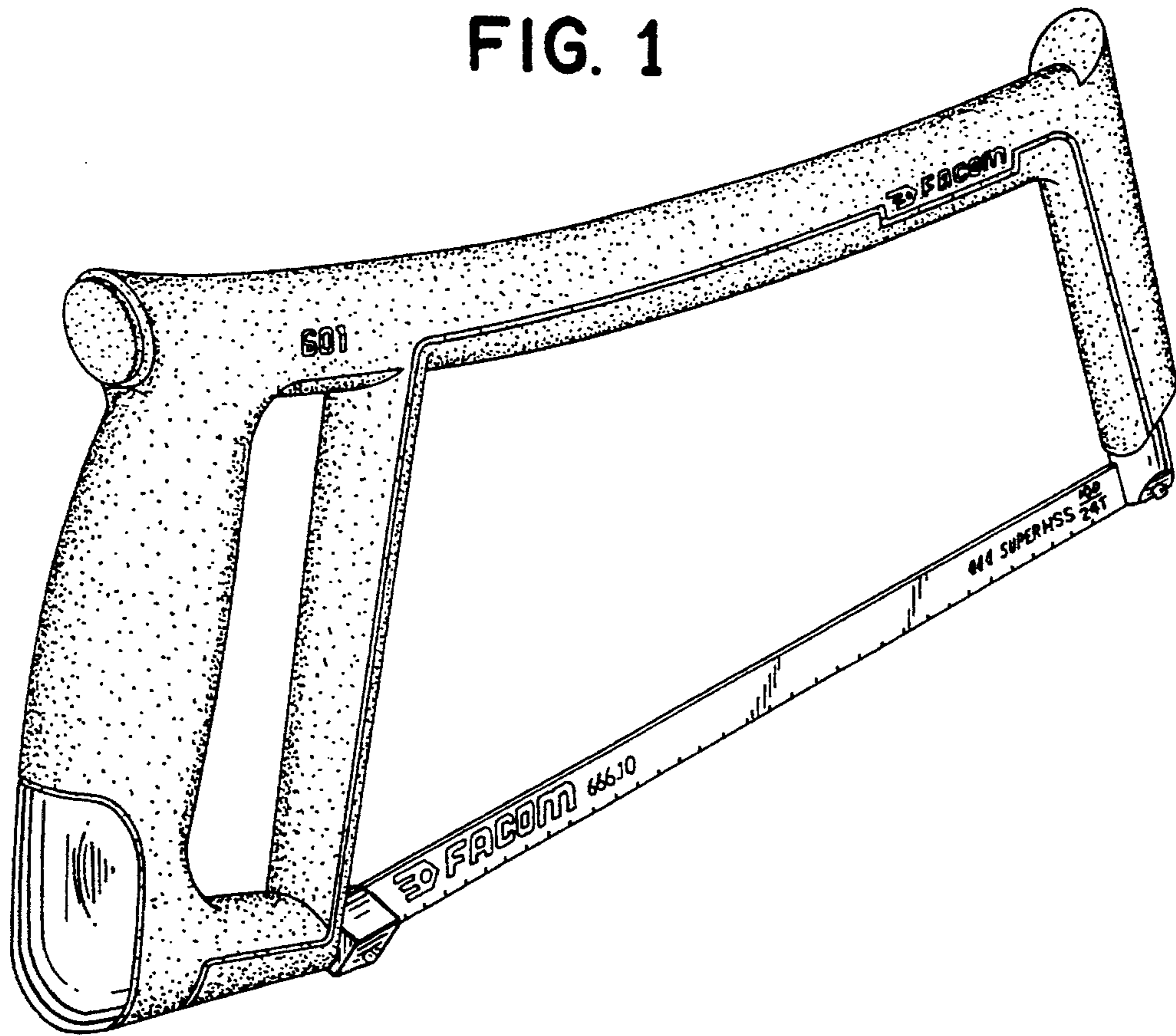


FIG. 6

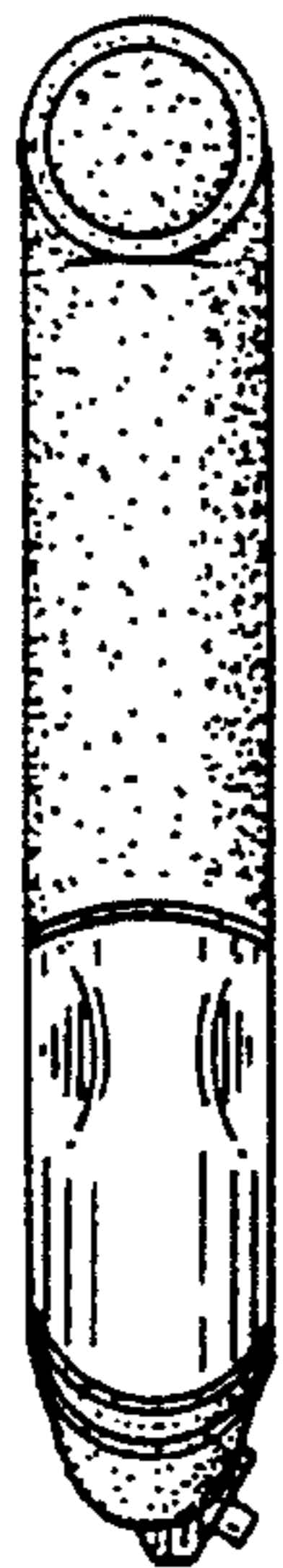


FIG. 7



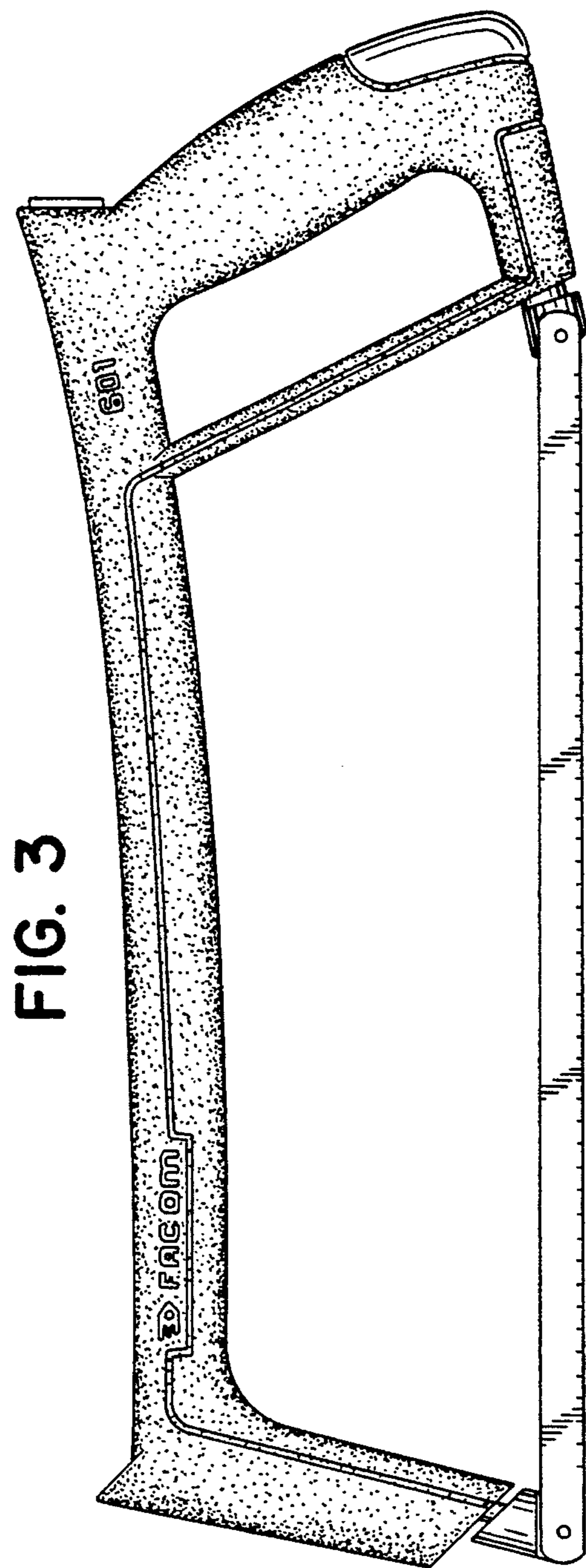
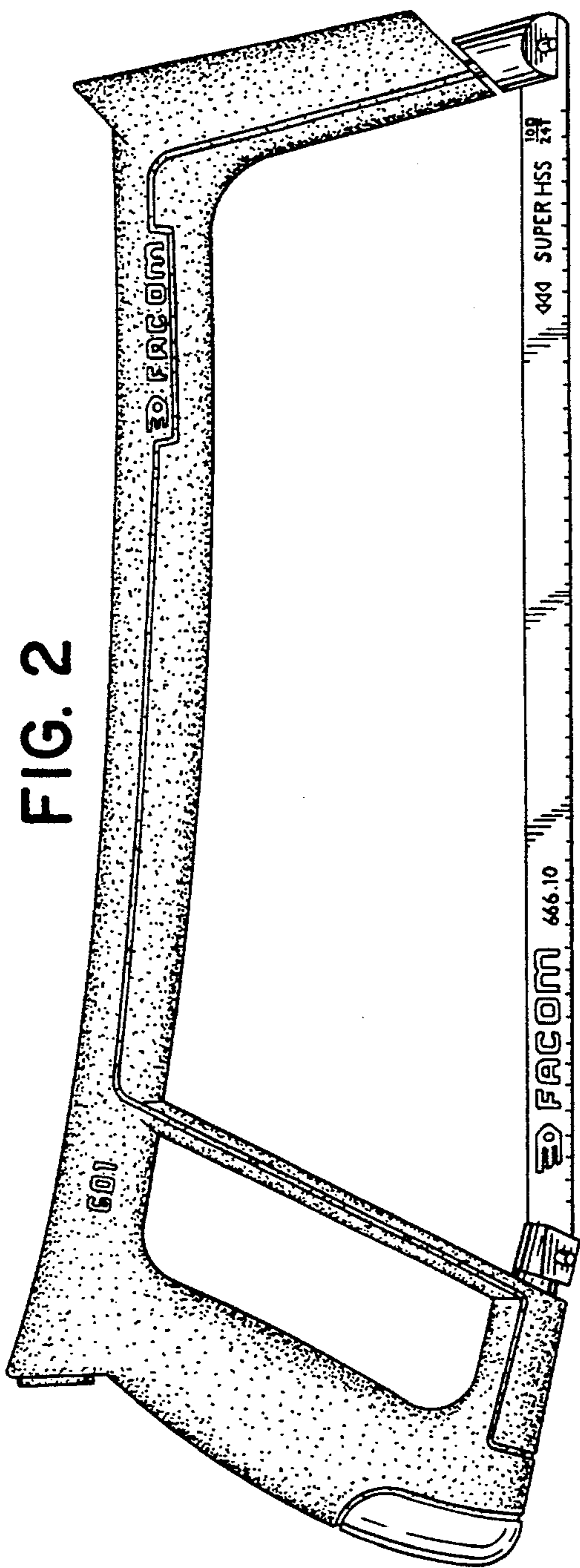


FIG. 4

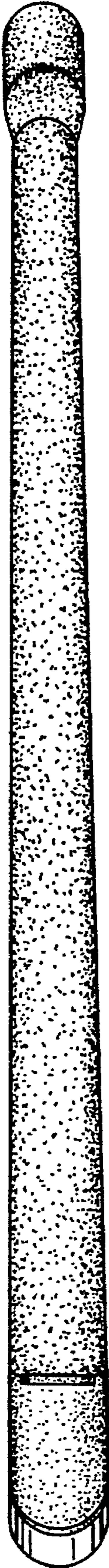


FIG. 5

