



US00D370608S

# United States Patent [19]

Wagner

[11] Patent Number: **Des. 370,608**

[45] Date of Patent: **\*\*Jun. 11, 1996**

[54] **GLOW PLUG PULLER**

[76] Inventor: **Robert W. Wagner**, 2178 Mt. View Rd., Powhatan, Va. 23139

[\*\*] Term: **14 Years**

[21] Appl. No.: **904,543**

[22] Filed: **Jun. 26, 1992**

[52] U.S. Cl. .... **D8/51**

[58] Field of Search ..... D8/51, 14; 29/263, 29/264, 265

[56] **References Cited**

**U.S. PATENT DOCUMENTS**

3,120,700	2/1964	Chuplis, Jr.	29/264
3,634,921	1/1972	Gagnon	29/264
3,740,814	6/1973	Marshall	29/264

4,875,266	10/1989	Batten	29/263
4,982,488	1/1991	Ragsdale	29/263

*Primary Examiner*—Philip S. Hyder  
*Attorney, Agent, or Firm*—Randy W. Lacasse

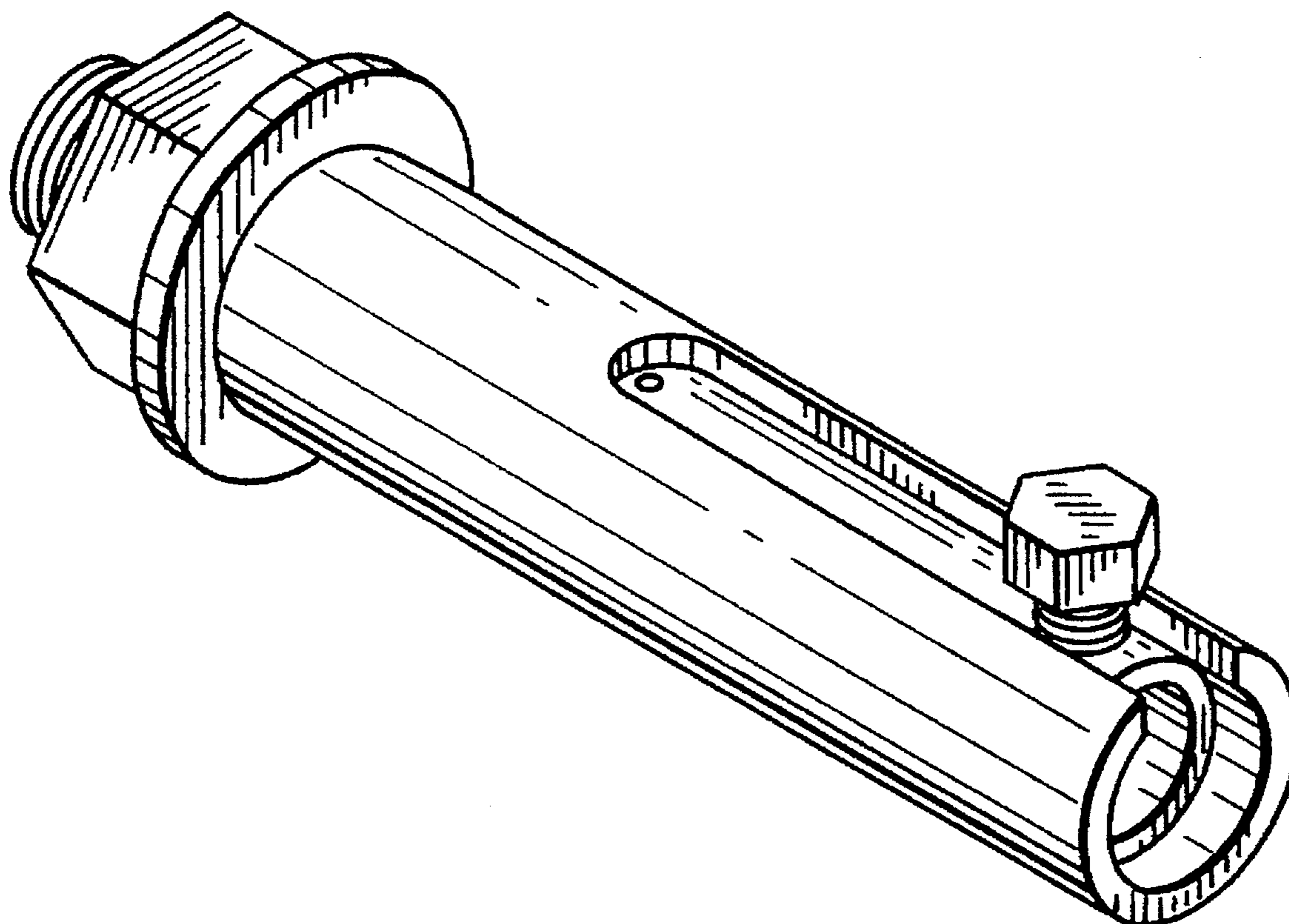
[57] **CLAIM**

The ornamental design for a glow plug puller, as shown and described.

**DESCRIPTION**

FIG. 1 is a top, front and left side perspective view of a glow plug puller, showing my new design;  
FIG. 2 is a top, rear and right side perspective view thereof;  
and,  
FIG. 3 is a bottom, front and left side perspective view thereof.

**1 Claim, 1 Drawing Sheet**



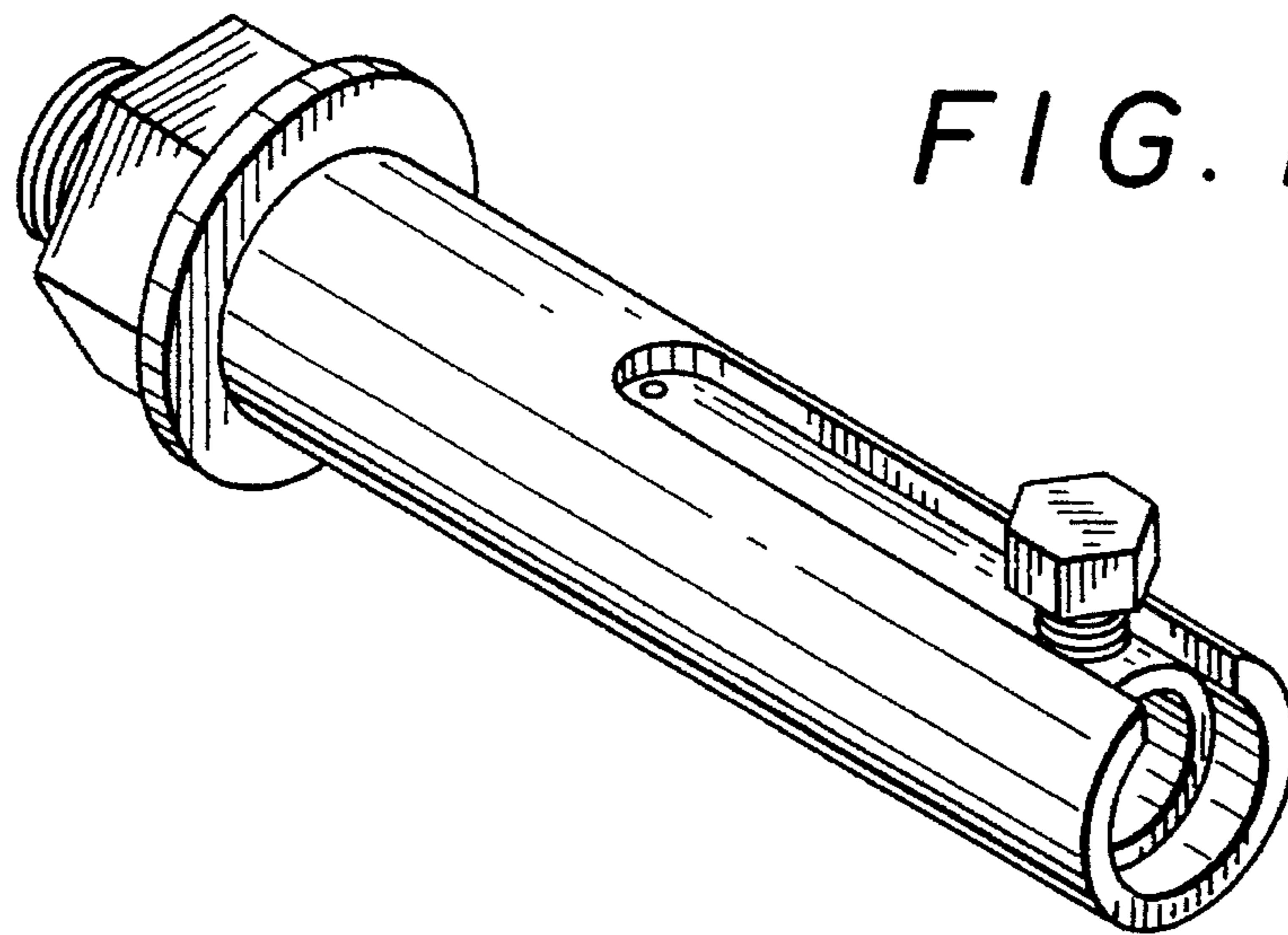


FIG. 1

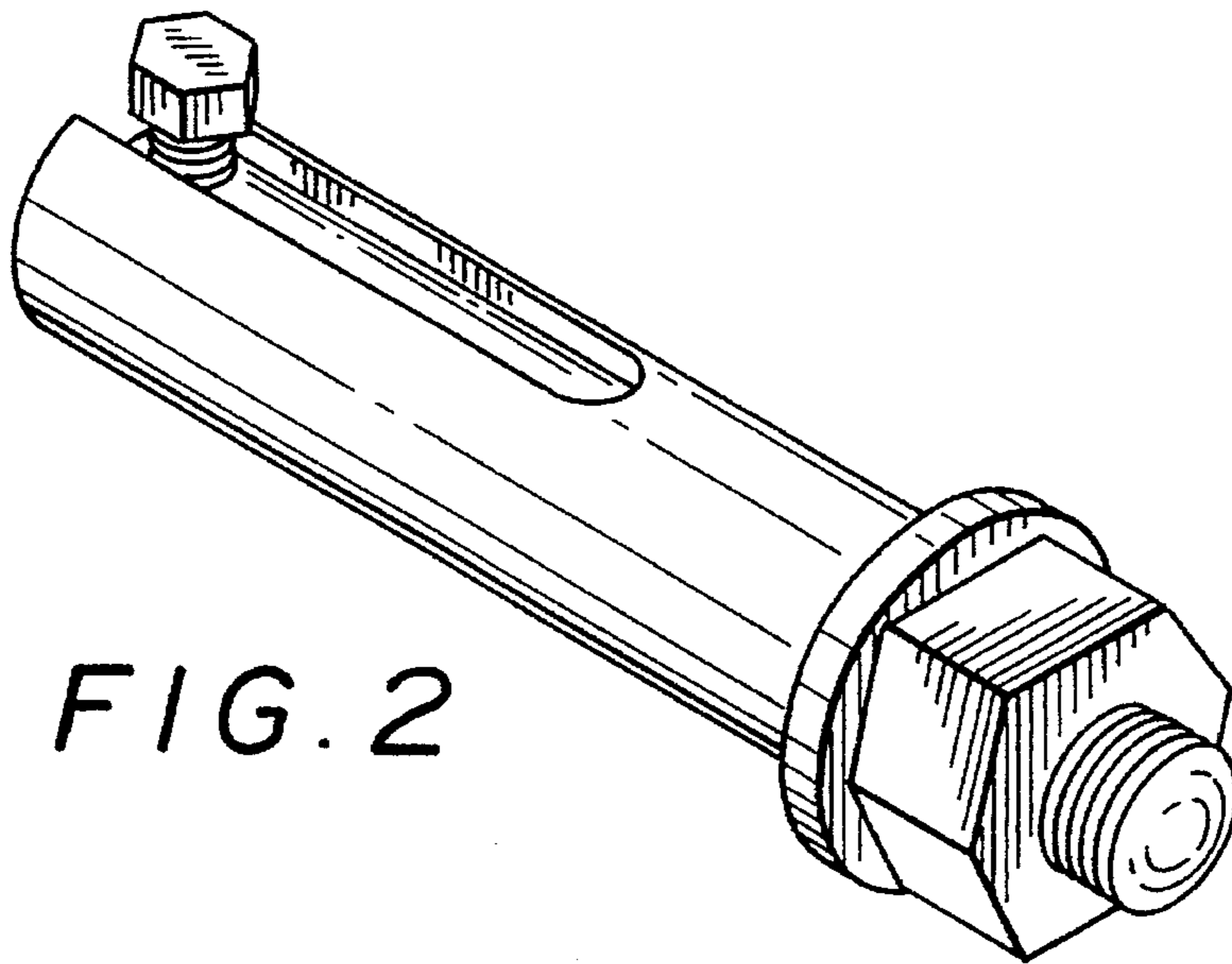


FIG. 2

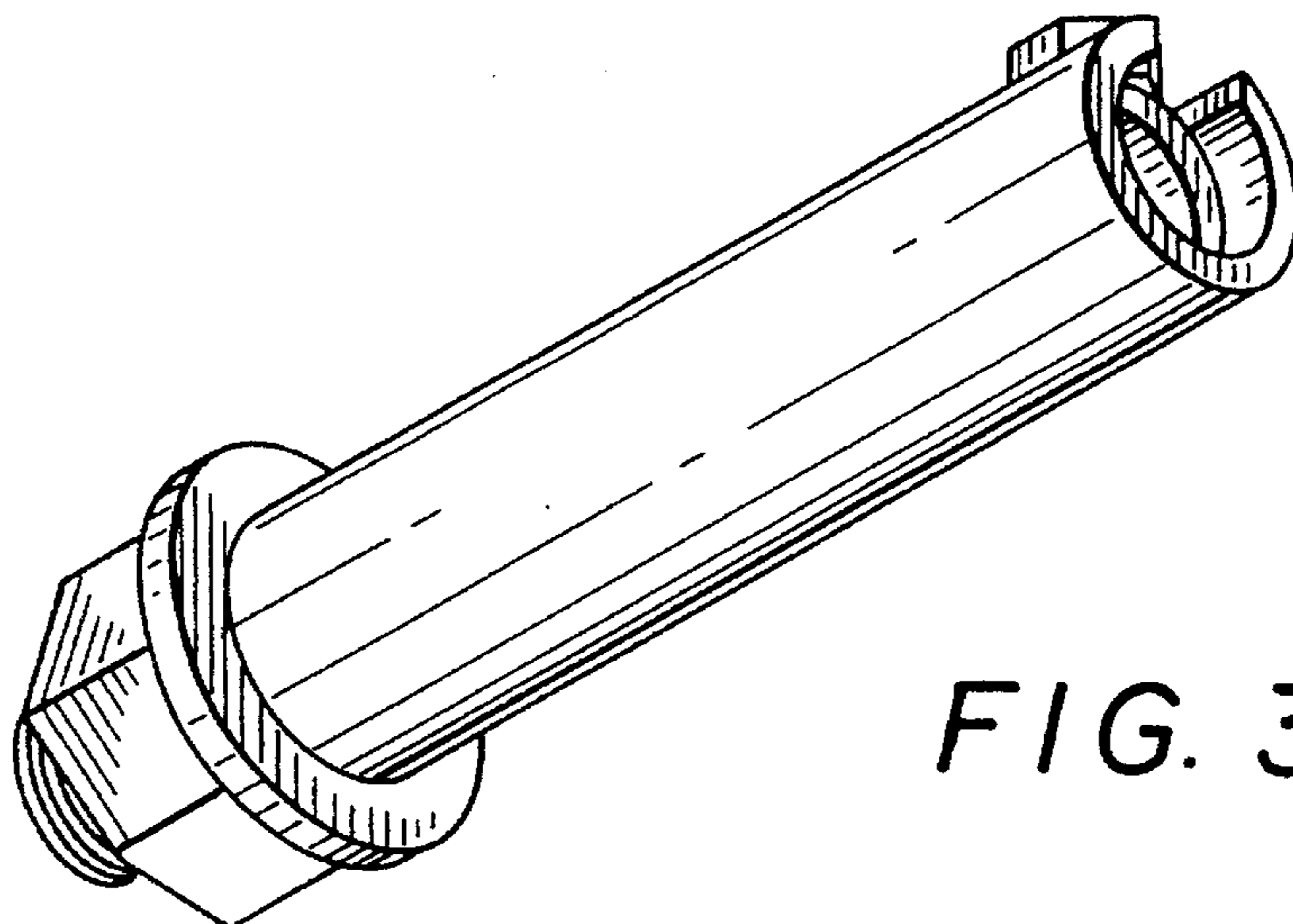


FIG. 3