



US00D370607S

United States Patent [19]

Herbst et al.

[11] Patent Number: **Des. 370,607**

[45] Date of Patent: ****Jun. 11, 1996**

[54] **STAPLER**

D. 296,183 6/1988 Chi D8/49

[75] Inventors: **Walter B. Herbst**, Evanston; **Mikael Backstrom**, Chicago; **Ralph Lazar**, Skokie, all of Ill.

FOREIGN PATENT DOCUMENTS

2231302 11/1990 United Kingdom 227/120

[73] Assignee: **General Binding Corporation**, Northbrook, Ill.

Primary Examiner—Prabhakar G. Deshmukh
Assistant Examiner—Adir Aronovich
Attorney, Agent, or Firm—Hill, Steadman & Simpson

[**] Term: **14 Years**

[57] CLAIM

[21] Appl. No.: **25,040**

The ornamental design for a stapler, as shown and described.

[22] Filed: **Jun. 27, 1994**

DESCRIPTION

[52] U.S. Cl. **D8/50**

FIG. 1 is a front, right side perspective view of a stapler showing our new design;

[58] Field of Search D8/49, 50; 227/120, 227/127, 128, 132, 134

FIG. 2 is a top plan view thereof;

FIG. 3 is a right side elevational view thereof;

FIG. 4 is a left side elevational view thereof;

FIG. 5 is a front elevational view thereof; and,

FIG. 6 is a rear elevational view thereof.

The bottom of the claimed stapler is plane and unornamented.

[56] References Cited

U.S. PATENT DOCUMENTS

D. 193,371	8/1962	Mueller	D8/50
D. 194,858	3/1963	Schmidt	D8/50
D. 214,601	7/1969	Gaya	D8/49
D. 292,962	12/1987	Leszczak	D8/50

1 Claim, 2 Drawing Sheets

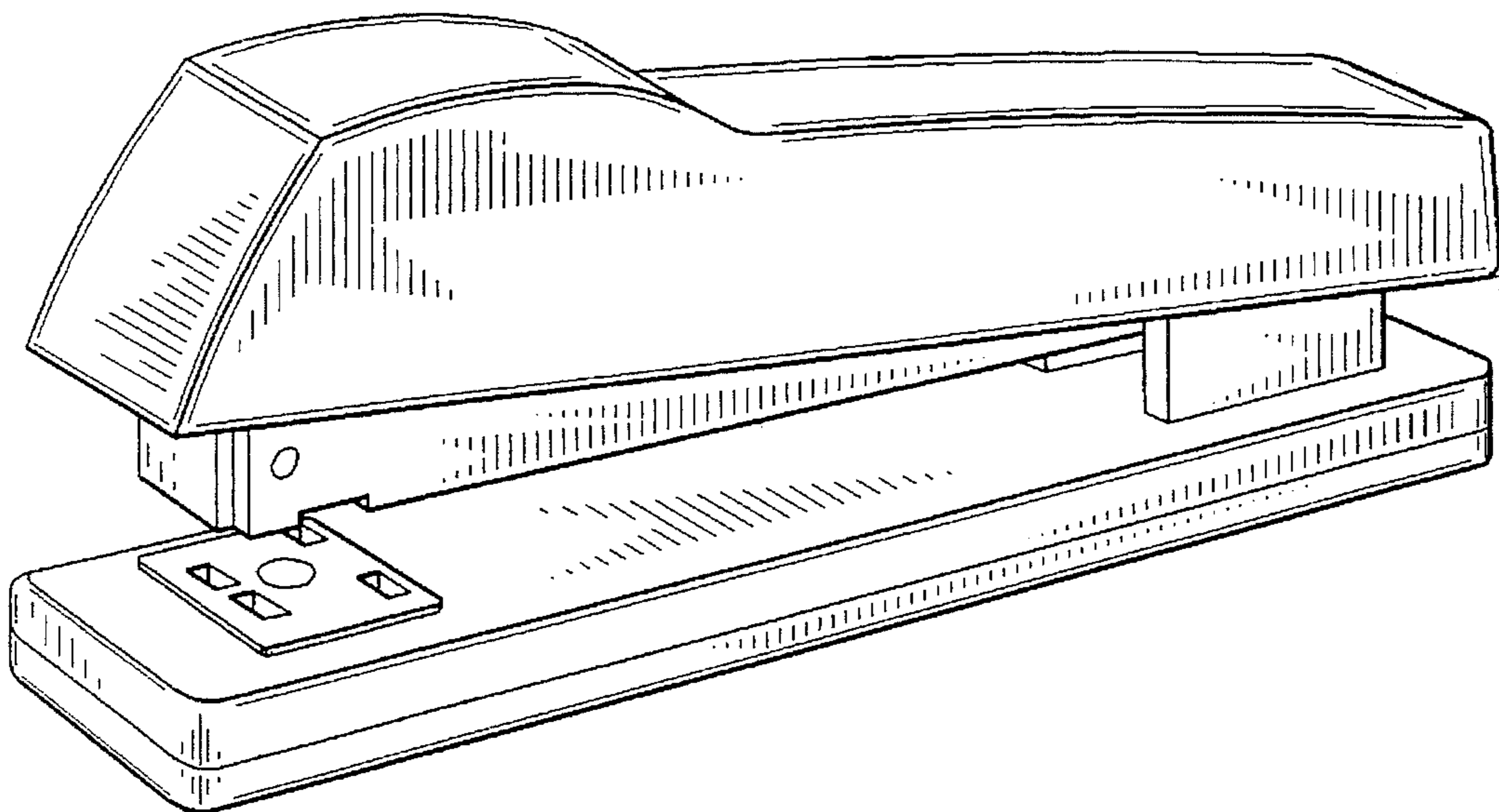


FIG.1

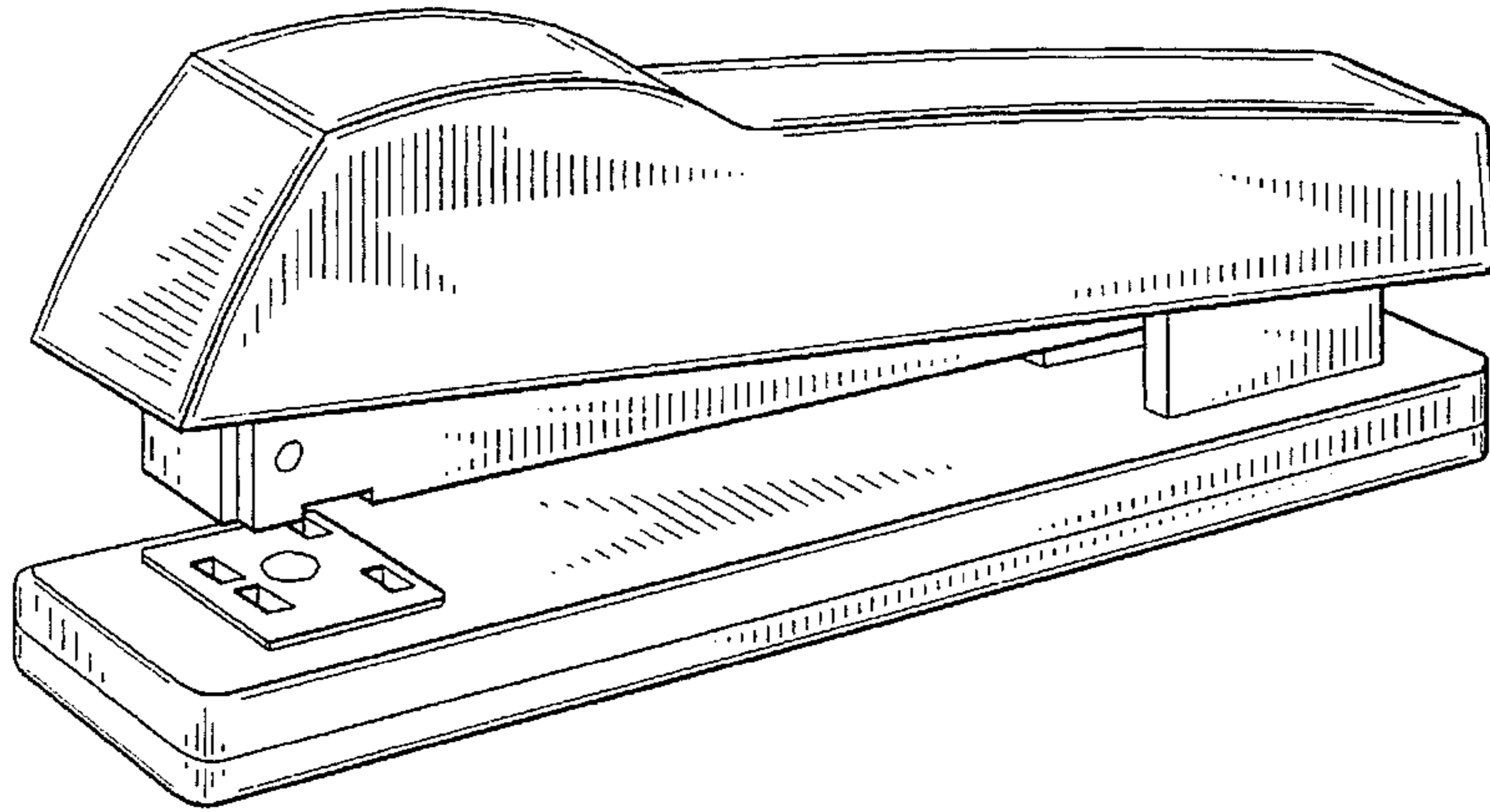


FIG.2

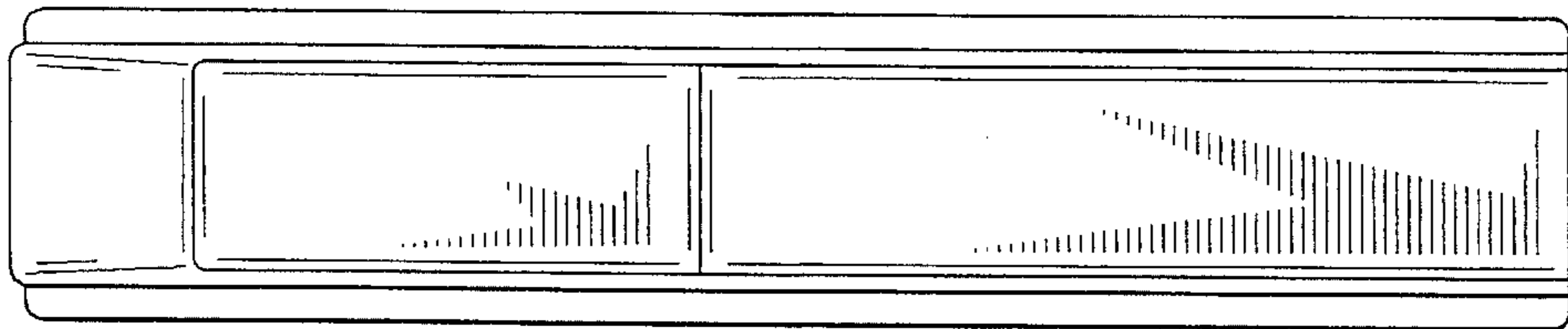


FIG.3

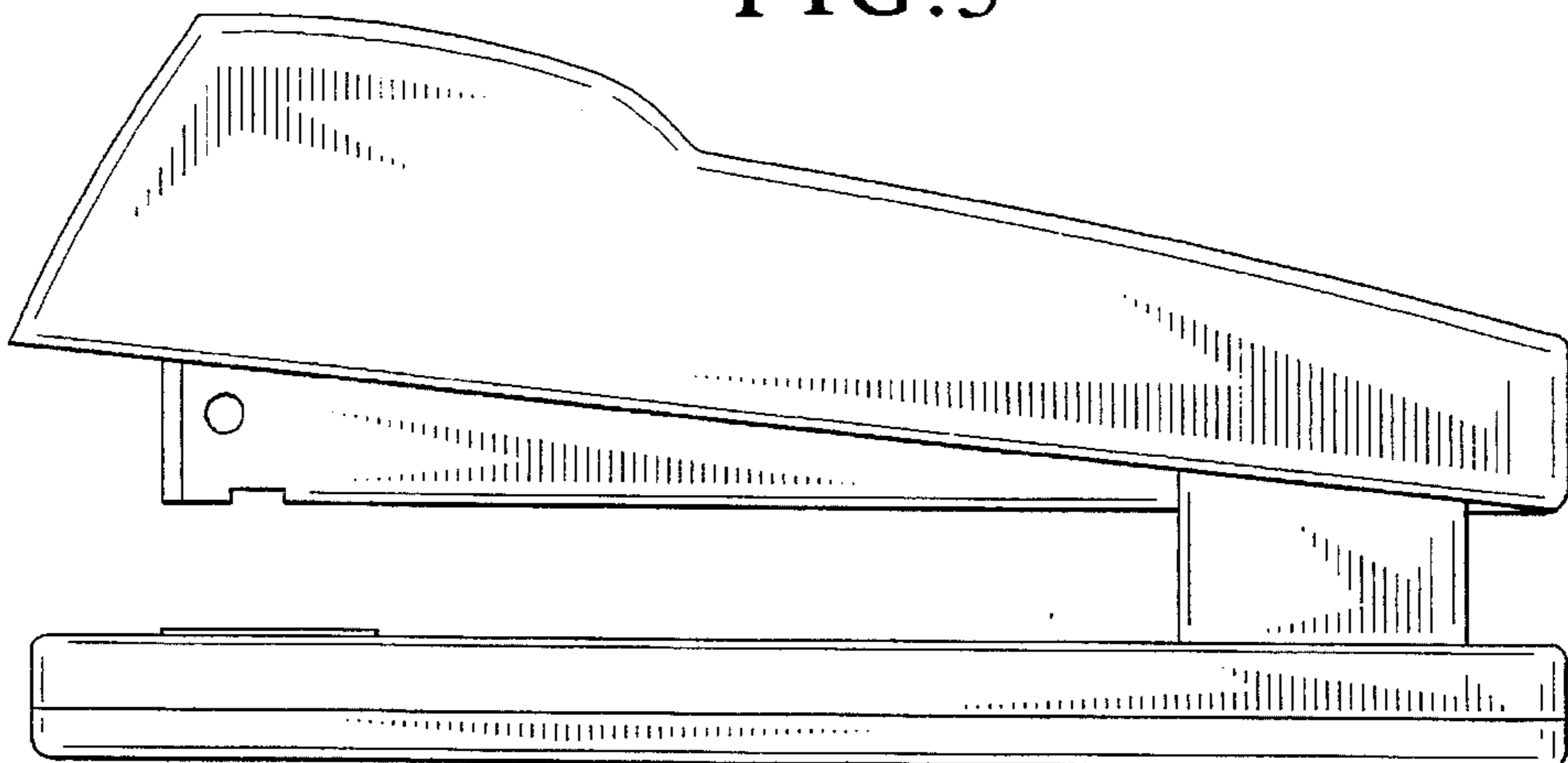


FIG. 4

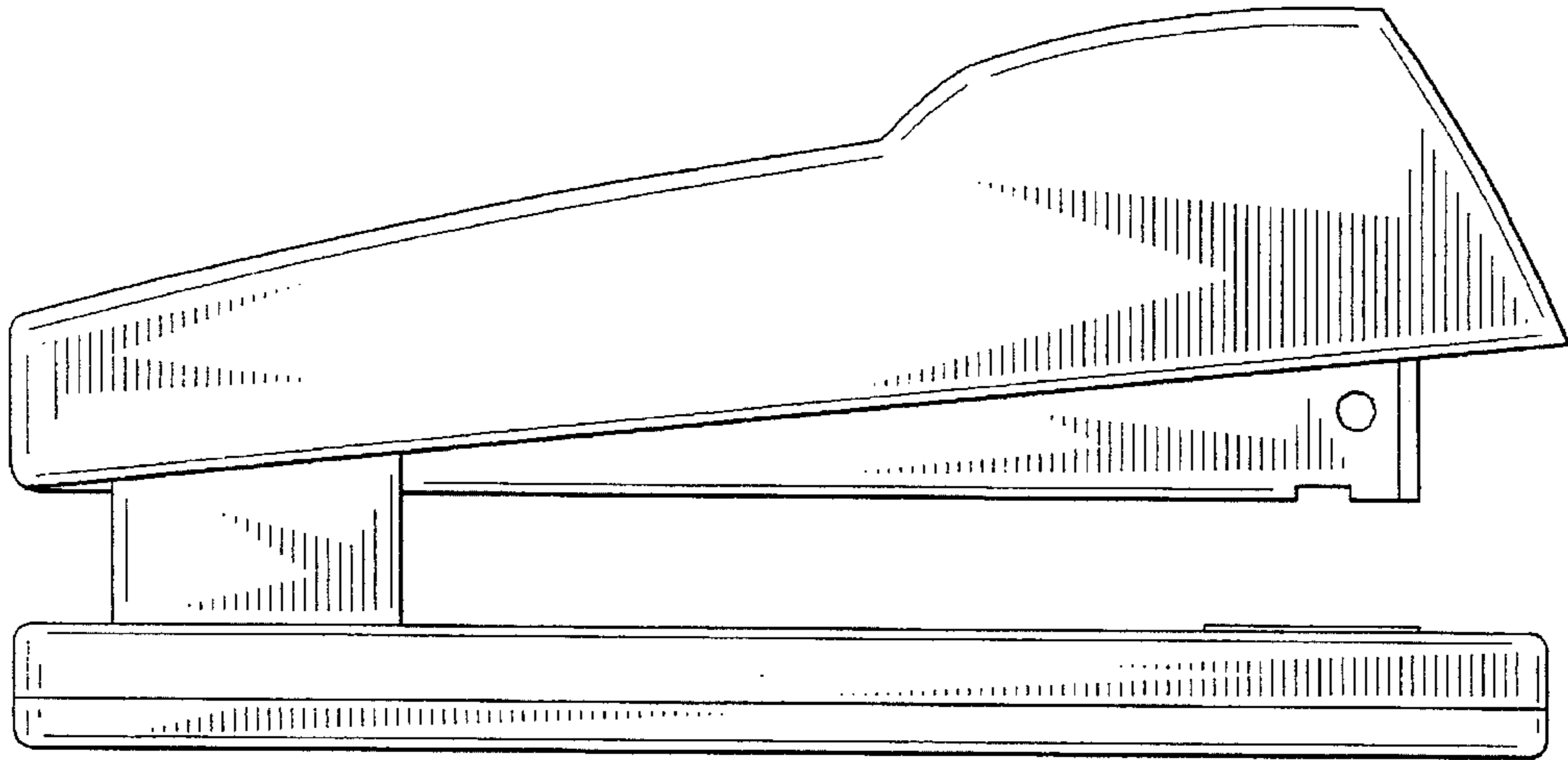


FIG. 5

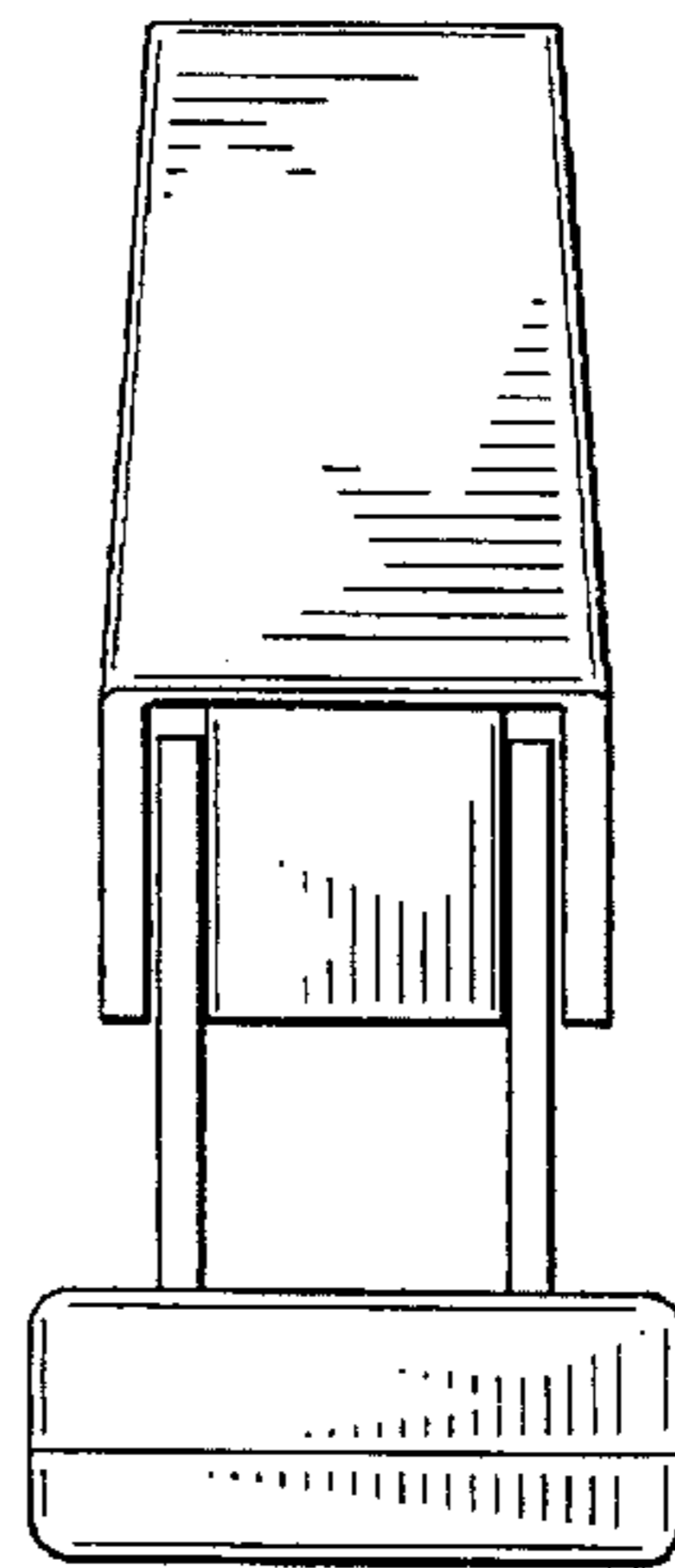


FIG. 6

