



US00D370604S

United States Patent [19]
Donabedian et al.

[11] **Patent Number: Des. 370,604**
[45] **Date of Patent: **Jun. 11, 1996**

[54] **PUSH NUT FASTENER**
[75] Inventors: **Edgar Donabedian**, Livonia; **Monte J. Visser**, Grosse Point Woods, both of Mich.
[73] Assignee: **The Budd Company**, Troy, Mich.
[**] Term: **14 Years**
[21] Appl. No.: **31,348**
[22] Filed: **Nov. 23, 1994**
[52] **U.S. Cl.** **D8/14**
[58] **Field of Search** D8/14, 499, 349, D8/354, 397; 81/125; 411/352, 353, 522-524; D12/180, 223

4,459,119 7/1984 Beijer 411/353
4,735,534 4/1988 Oehike .
4,834,603 5/1989 Holton .
4,911,594 3/1990 Fisher .
5,127,764 7/1992 Baer .

FOREIGN PATENT DOCUMENTS

437435 10/1935 United Kingdom 411/522

Primary Examiner—Ted Shooman
Assistant Examiner—Richelle Shelton
Attorney, Agent, or Firm—Steven L. Oberholtzer

[57] **CLAIM**

The ornamental design for a push nut fastener, as shown and described.

DESCRIPTION

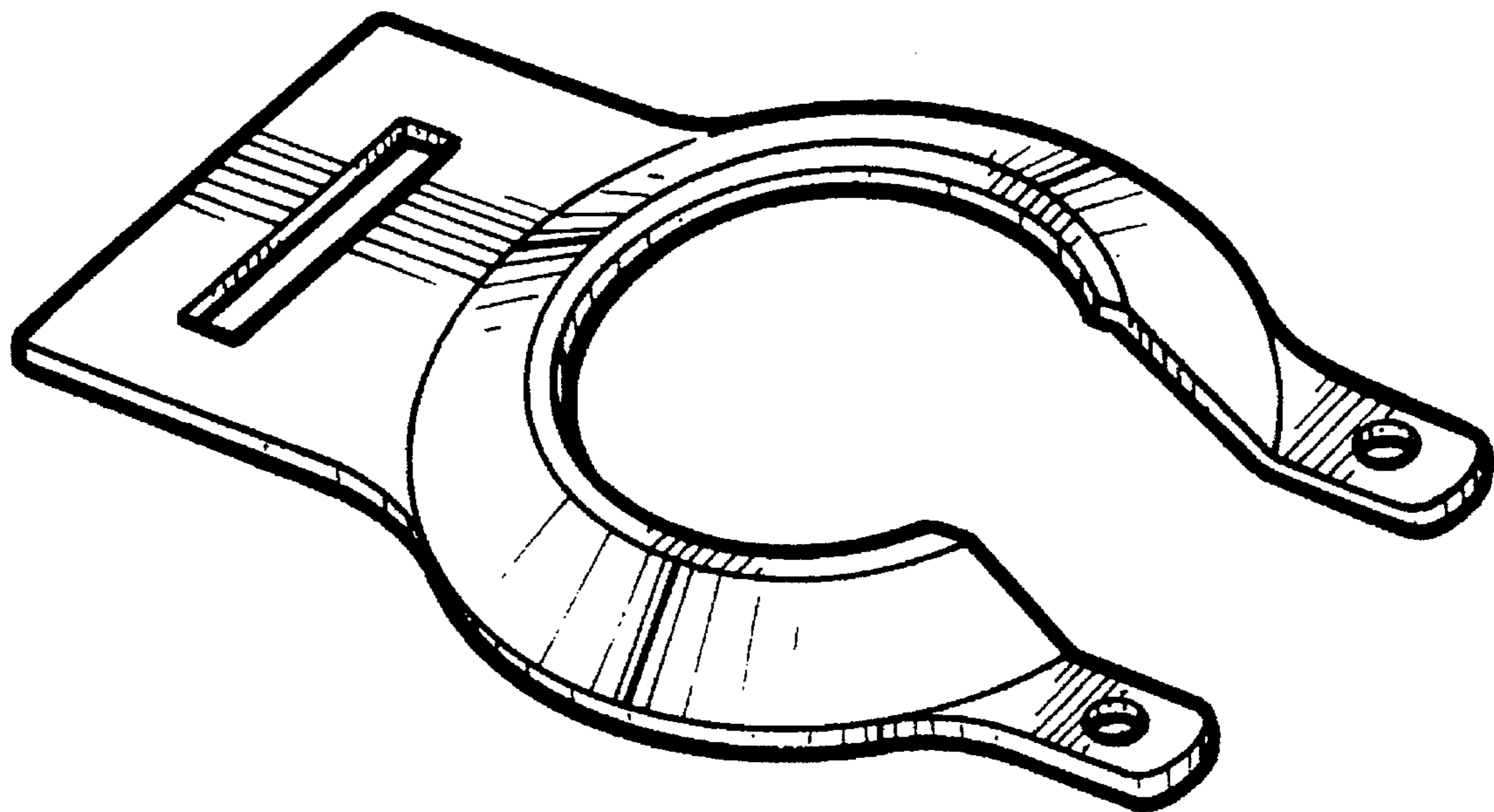
FIG. 1 is a perspective view of a push nut fastener showing our new design;
FIG. 2 is a top plan view thereof;
FIG. 3 is a bottom plan view thereof;
FIG. 4 is a left side elevation view thereof, the right side elevational view being a mirror image;
FIG. 5 is a front elevation view thereof; and,
FIG. 6 is a rear elevation view thereof.

[56] **References Cited**

U.S. PATENT DOCUMENTS

351,425 10/1886 Coleman .
1,764,950 6/1930 Griner .
2,034,559 3/1936 Brunner .
2,078,453 4/1937 Miller .
2,236,130 3/1941 Betebenner .
2,284,222 5/1942 Miller .
2,505,840 5/1950 Shonnard et al. 411/352 X
3,340,760 9/1967 Wormser .
3,450,234 6/1969 Takata .

1 Claim, 1 Drawing Sheet



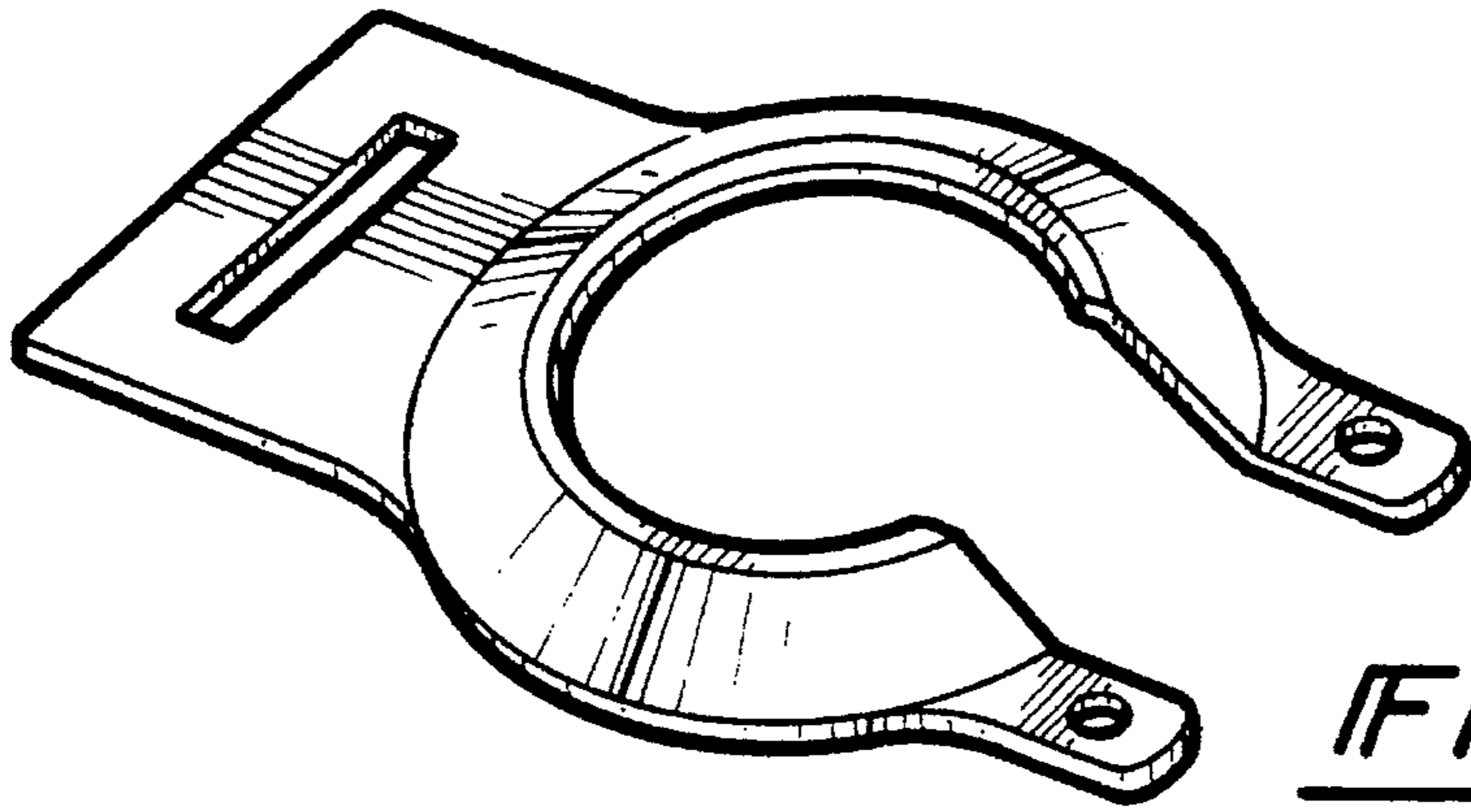


Fig-1

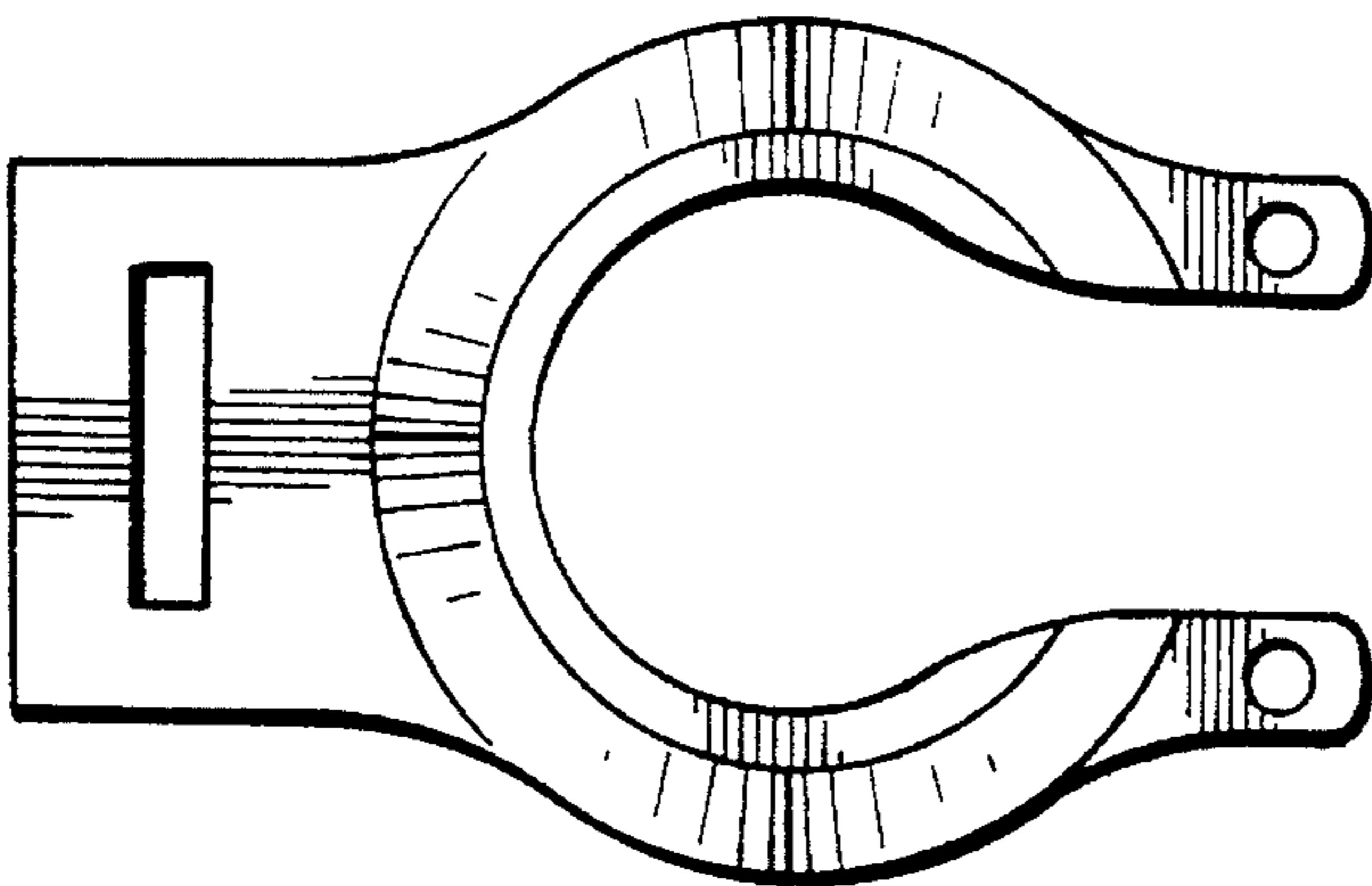


Fig-2

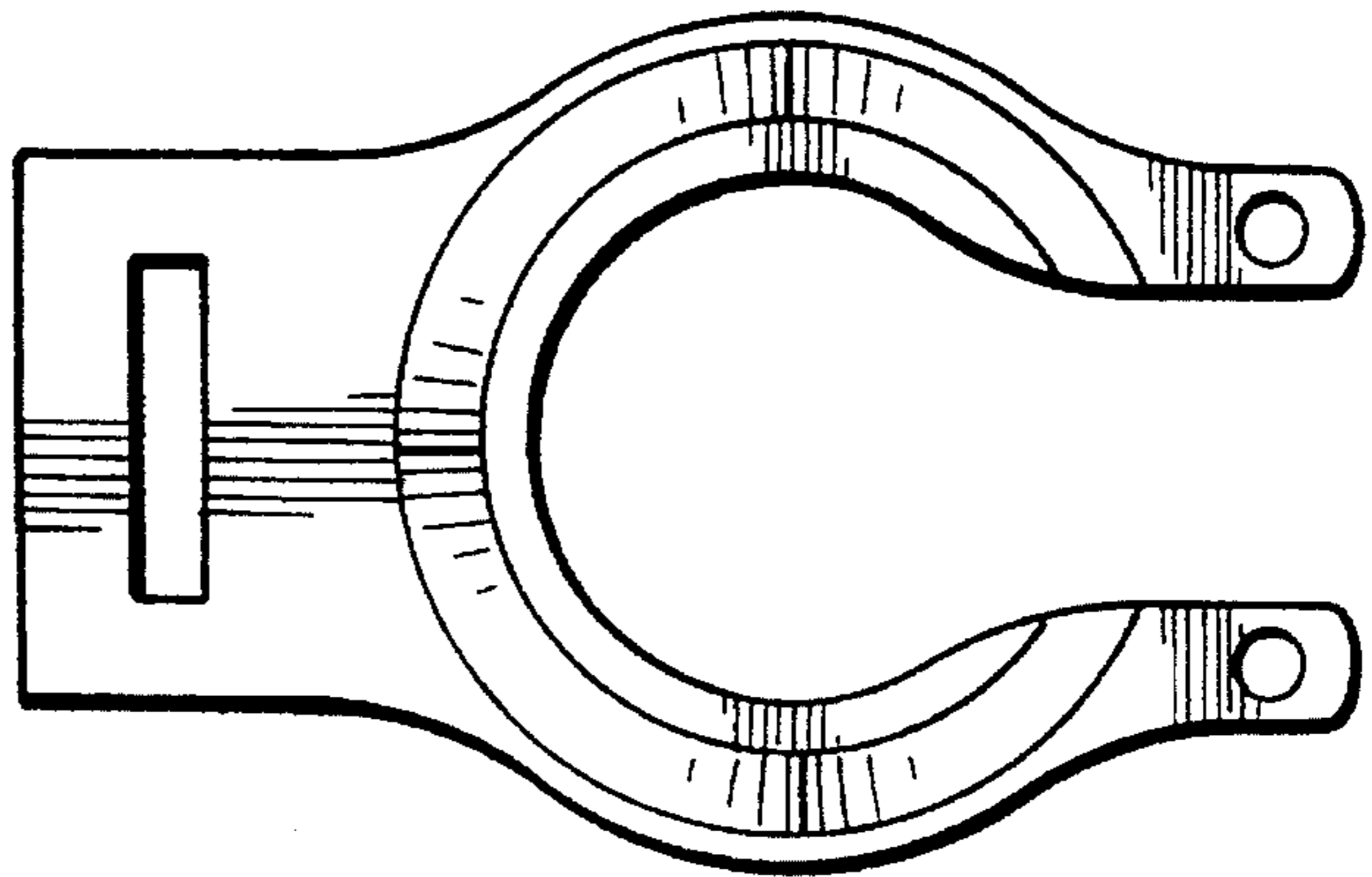


Fig-3

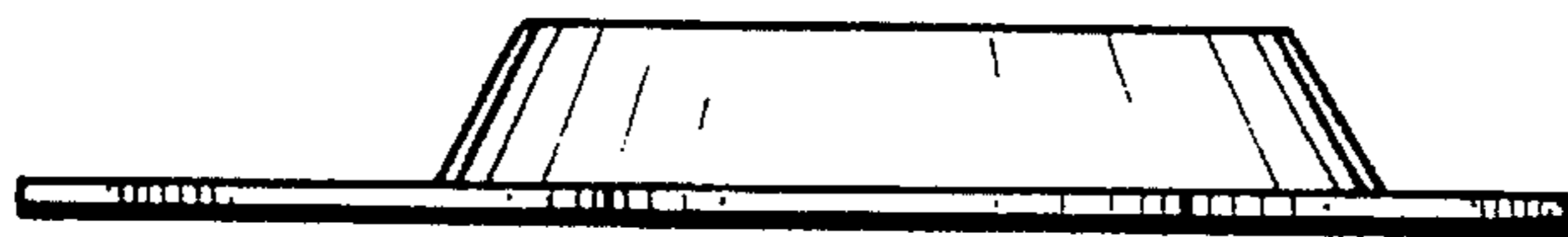


Fig-4



Fig-5



Fig-6