



US00D370603S

United States Patent [19]
Lampman

[11] **Patent Number: Des. 370,603**

[45] **Date of Patent: **Jun. 11, 1996**

[54] **COMBINED HOE AND RAKE HEAD**

Ames Catalog, May 1986, p. 20, rake item No. C18-826.

[76] Inventor: **Raymond L. Lampman**, 602 P H 10,
Castle Rock, Wash. 98611

Primary Examiner—A. Hugo Word
Assistant Examiner—Holly Baynham

[**] Term: **14 Years**

[21] Appl. No.: **34,674**

[57] **CLAIM**

[22] Filed: **Feb. 9, 1995**

The ornamental design for the combined hoe and rake head,
as shown and described.

[52] U.S. Cl. **D8/13; D8/11**

[58] Field of Search D8/13, 7, 9, 11;
56/400-05; 172/371-372, 375, 376

DESCRIPTION

[56] **References Cited**

U.S. PATENT DOCUMENTS

D. 274,116	6/1984	Lidikay et al. .	
D. 293,875	1/1988	Roper .	
538,146	4/1895	Bailey	172/372
921,968	5/1909	Fairfield	56/400.05
1,165,636	12/1915	Temte	56/400.05 X
2,331,414	10/1943	Morres	172/375
2,520,413	8/1950	Kent	172/375 X
3,967,397	7/1976	Nault .	
4,286,673	9/1981	Van Rooijen .	
4,602,474	7/1986	Palumbo .	
5,411,101	5/1995	Bonavitacolo	172/375 X

OTHER PUBLICATIONS

True Temper Catalog, Mar. 1986, p. 14, weeding hoe, circled
near top of page.

True Temper Catalog, Mar. 1986, p. 12, hoe, circled at top
of page.

FIG. 1 is a front elevational view of the combined hoe and
rake head showing my new design;

FIG. 2 is a rear elevational view thereof;

FIG. 3 is a left side elevational view thereof;

FIG. 4 is a right side elevational view thereof;

FIG. 5 is a top plan view thereof;

FIG. 6 is a bottom plan view thereof; and,

FIG. 7 is a perspective view thereof.

The broken line showing in FIGS. 1 through 7 of a handle
is for illustrative purposes only and forms no part of the
claimed design.

1 Claim, 4 Drawing Sheets

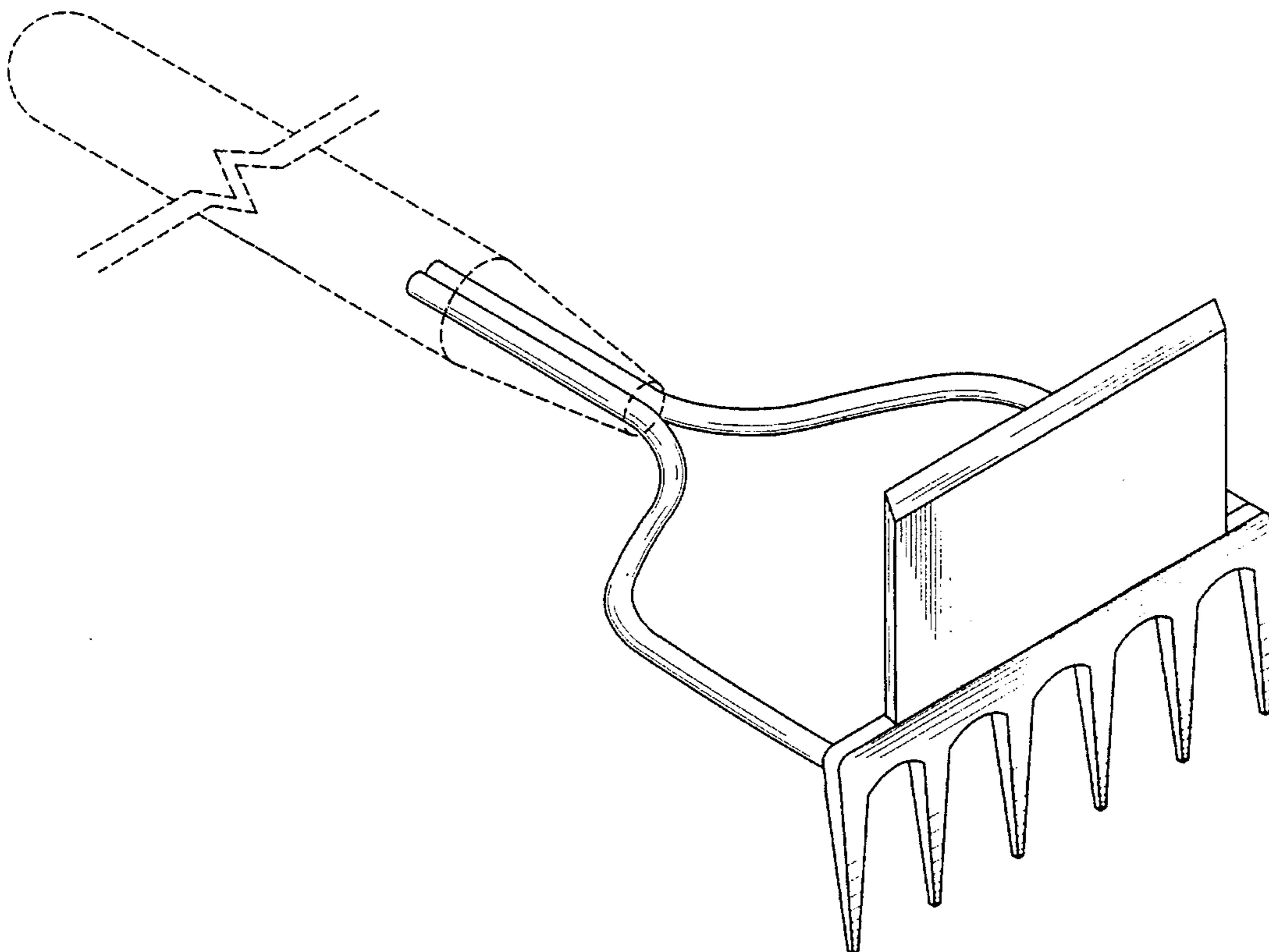


FIG. 1

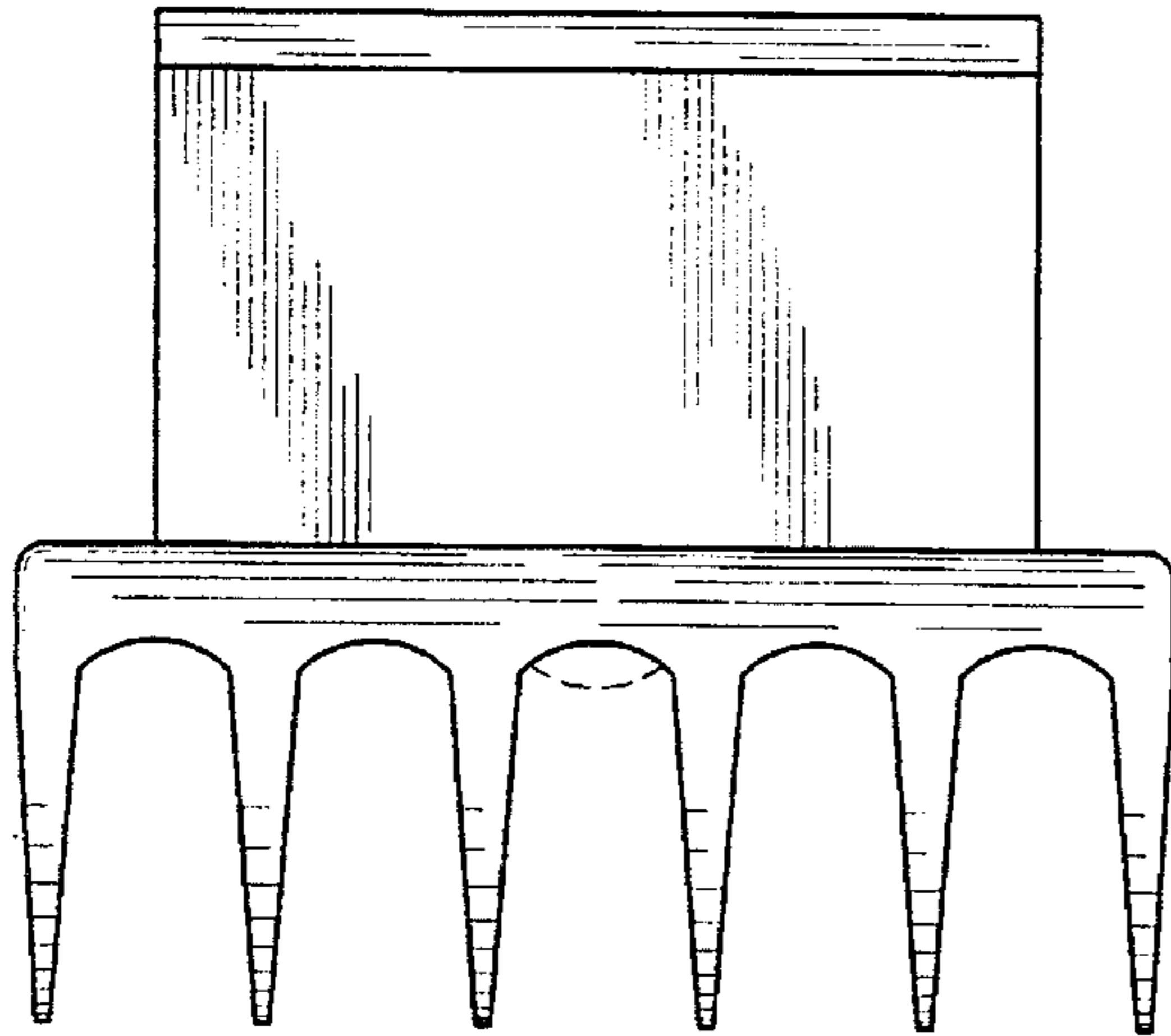


FIG. 2

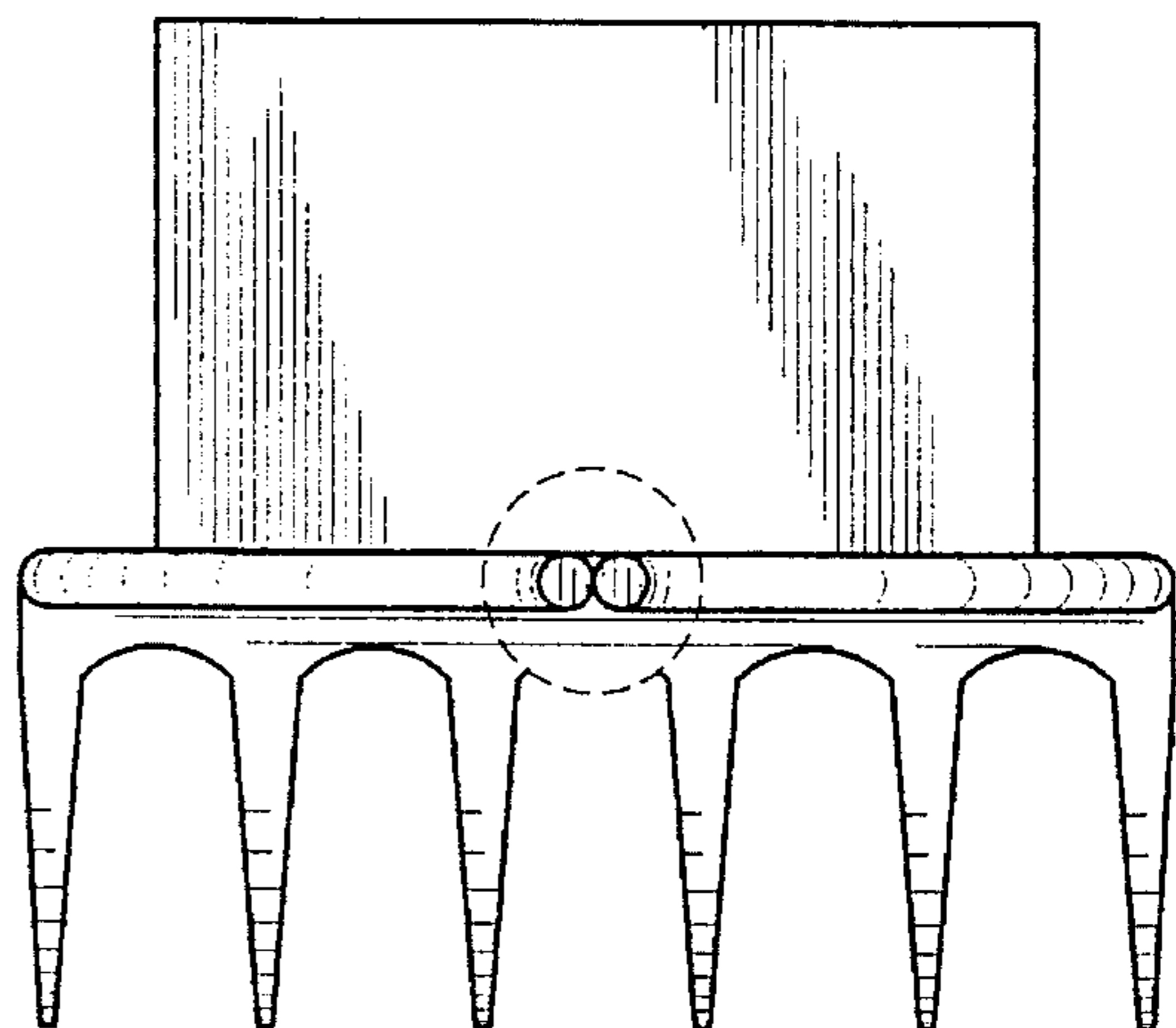


FIG. 3

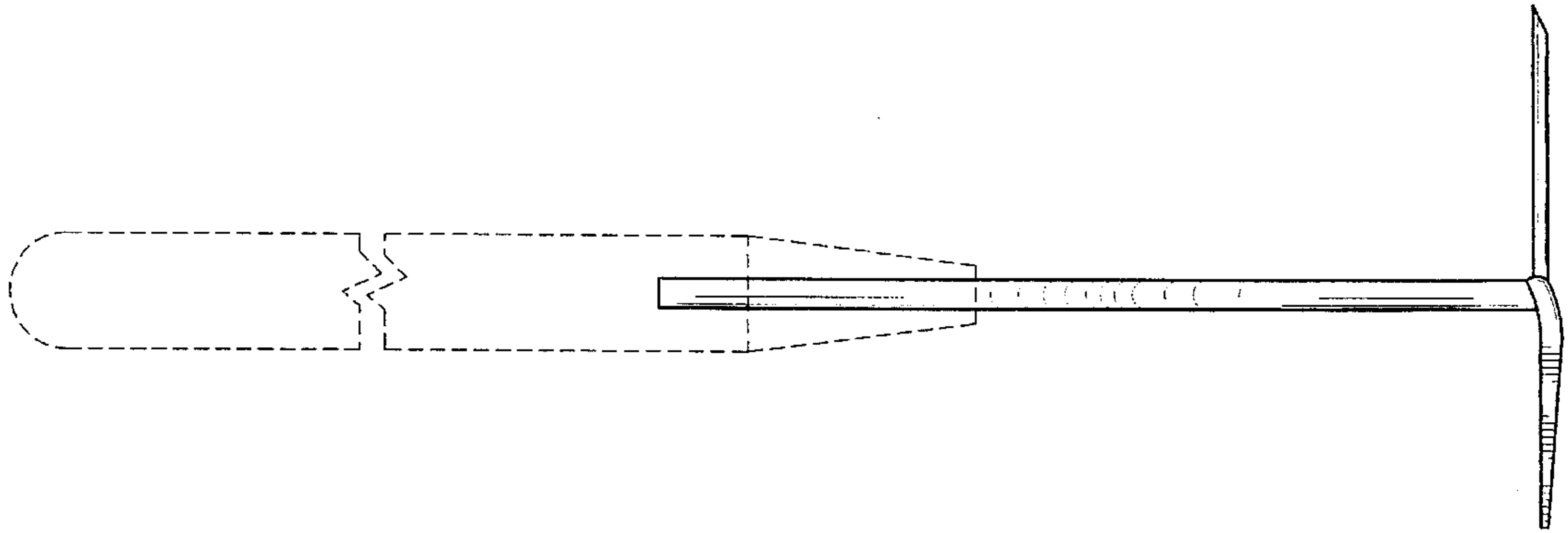


FIG. 4

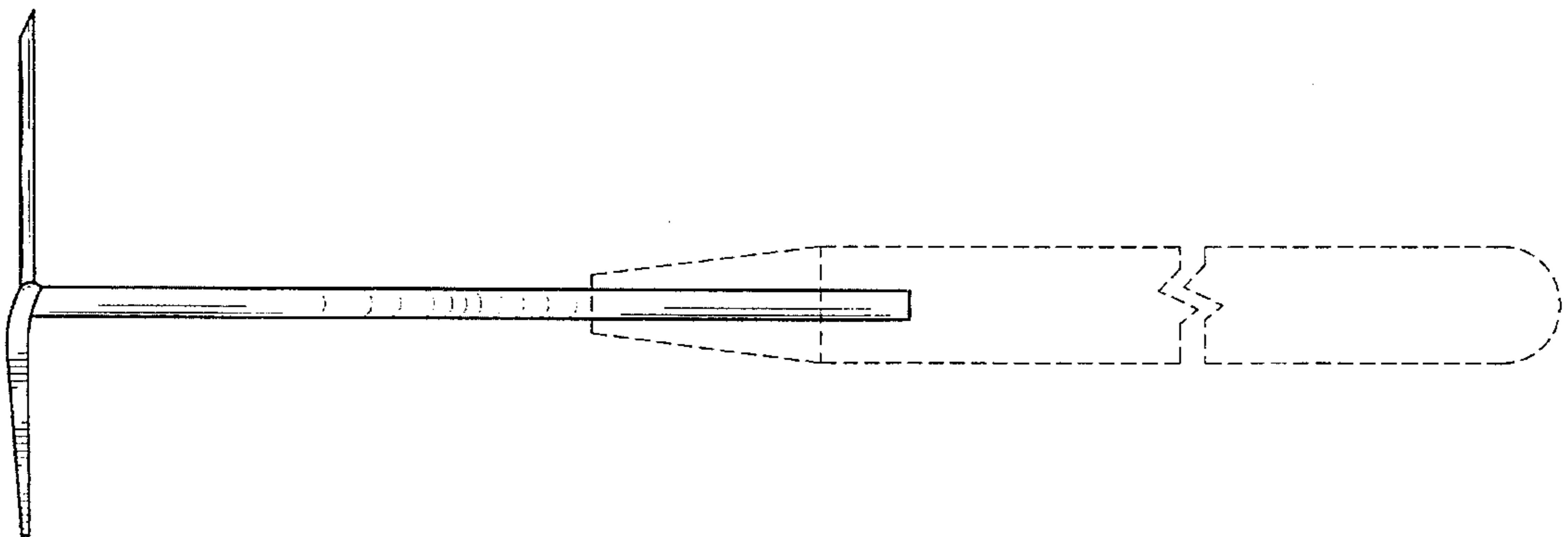


FIG. 5

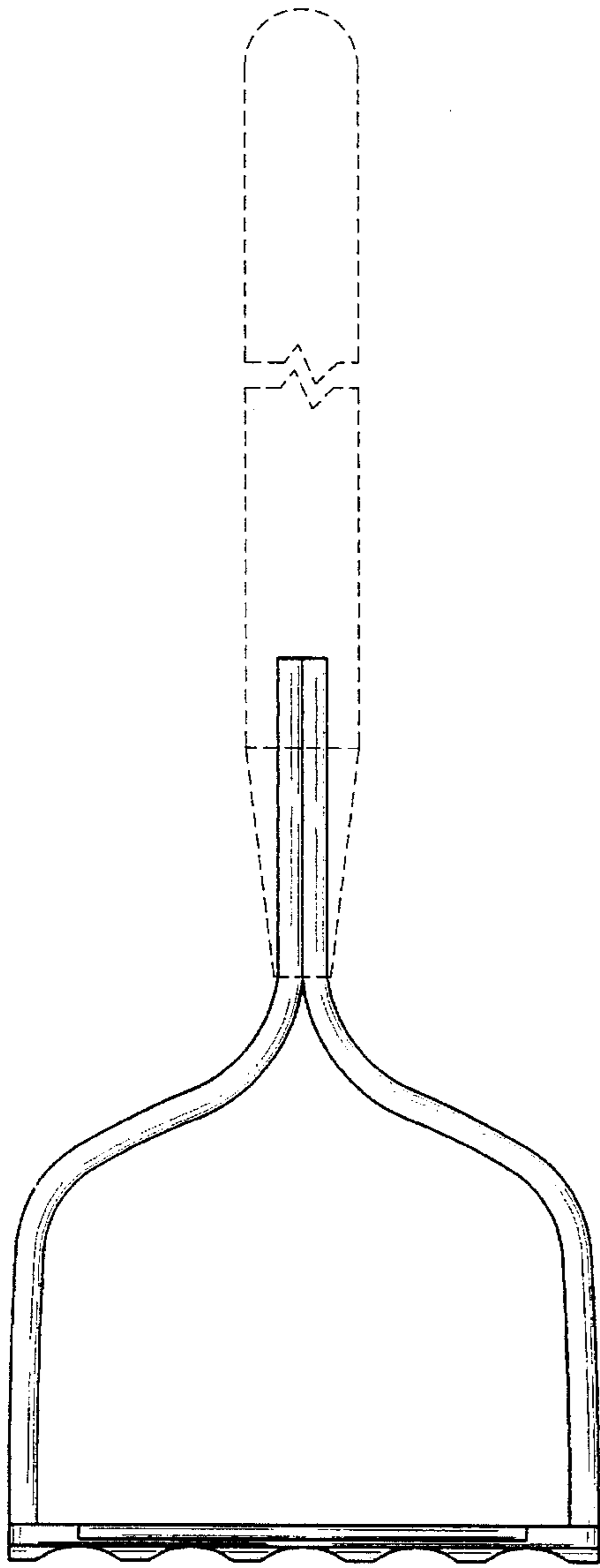


FIG. 6

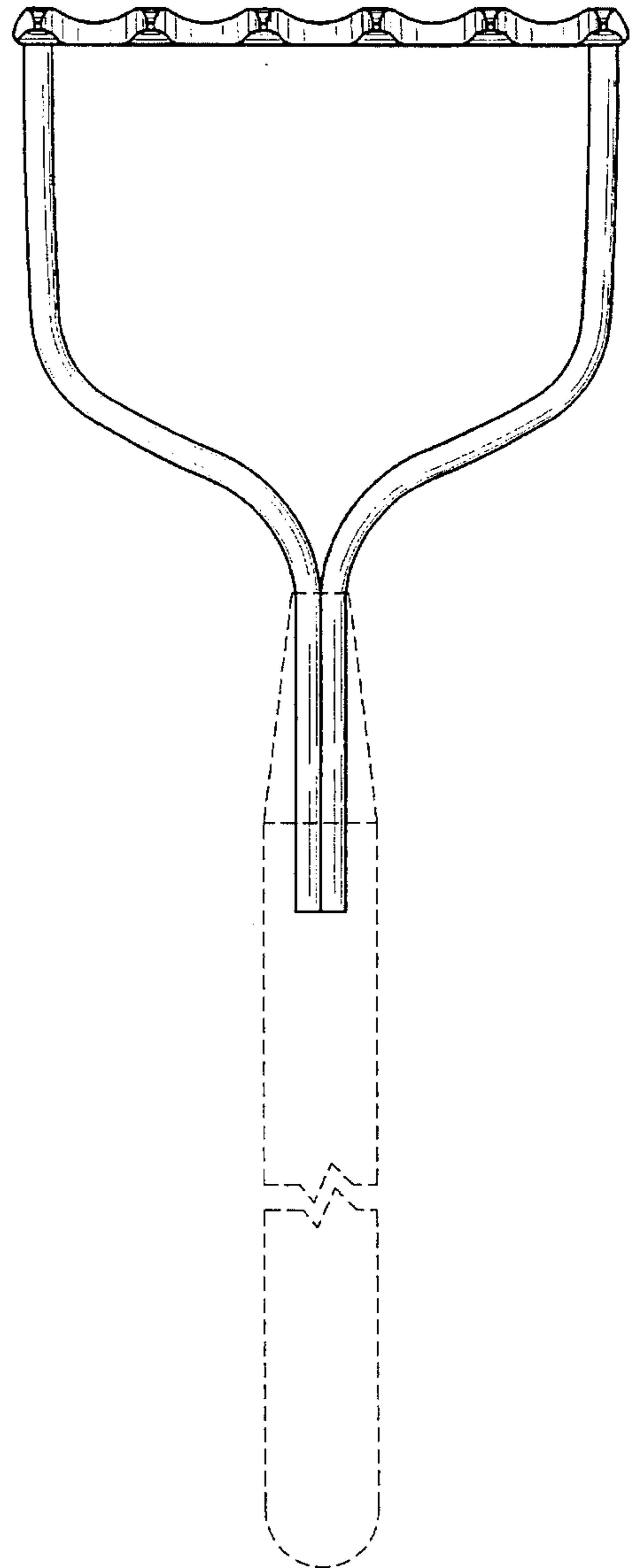


FIG. 7

