



US00D370600S

United States Patent [19]

[11] Patent Number: **Des. 370,600**

Downes

[45] Date of Patent: ****Jun. 11, 1996**

[54] **FLEXIBLE INSULATION DEVICE FOR BEVERAGE CONTAINER WITH HANDLE**

Primary Examiner—Terry A. Wallace
Attorney, Agent, or Firm—Louis T. Isaf; Jeffrey R. Kuester

[76] Inventor: **Kevin R. Downes**, 4253 Plantation Trace, Duluth, Ga. 30136

[57] **CLAIM**

[**] Term: **14 Years**

The ornamental design for a flexible insulation device for beverage container with handle, as shown and described.

[21] Appl. No.: **40,036**

DESCRIPTION

[22] Filed: **Jun. 8, 1995**

[52] U.S. Cl. **D7/607; D7/624**

[58] Field of Search **D7/605-608, 624, D7/625; 62/457.1, 457.3, 457.4, 529, 530; 220/411, 737, 739, 903, 906, 907**

FIG. 1 is a perspective view of the flexible insulation device for beverage container with handle, showing my new design;

FIG. 2 is a front elevational view thereof;

FIG. 3 is a left side elevational view thereof;

FIG. 4 is a right side elevational view thereof; and

FIG. 5 is a top plan view thereof, the side opposite being a mirror image; and,

FIG. 6 is a perspective view of the flexible insulation device for beverage container with handle of FIG. 1, shown in a collapsed state.

The broken line showing of a container in FIG. 1 is for illustrative purposes only and forms no part of the claimed design.

[56] **References Cited**

U.S. PATENT DOCUMENTS

D. 282,234	1/1986	Henderson	D7/608
2,482,322	9/1949	Cortese	220/903 X
5,067,922	11/1991	McMahon	220/903 X
5,147,067	9/1992	Effertz	220/739
5,222,656	6/1993	Carlson	220/739 X
5,415,305	5/1995	Drake-Tipton et al.	220/903 X

1 Claim, 2 Drawing Sheets

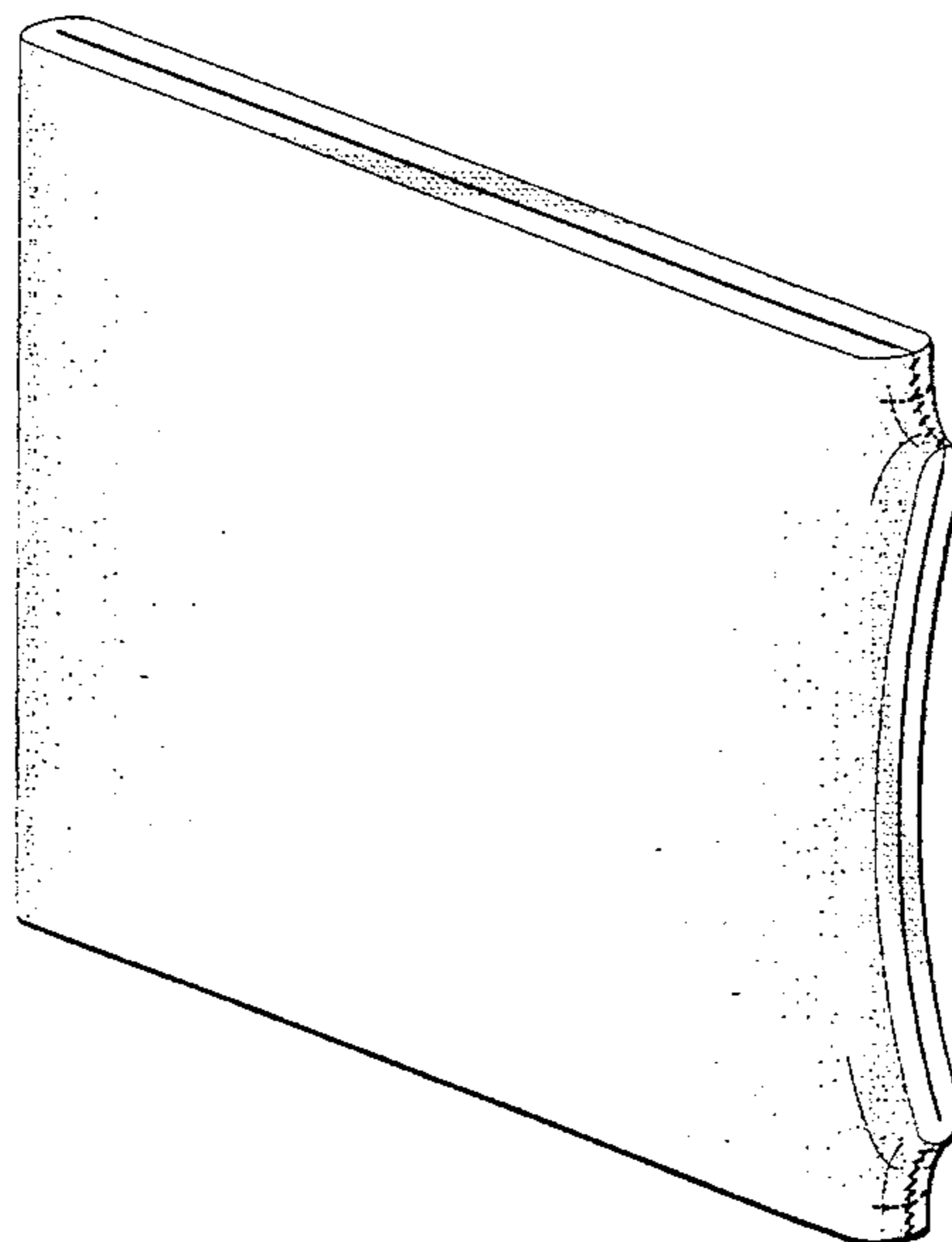
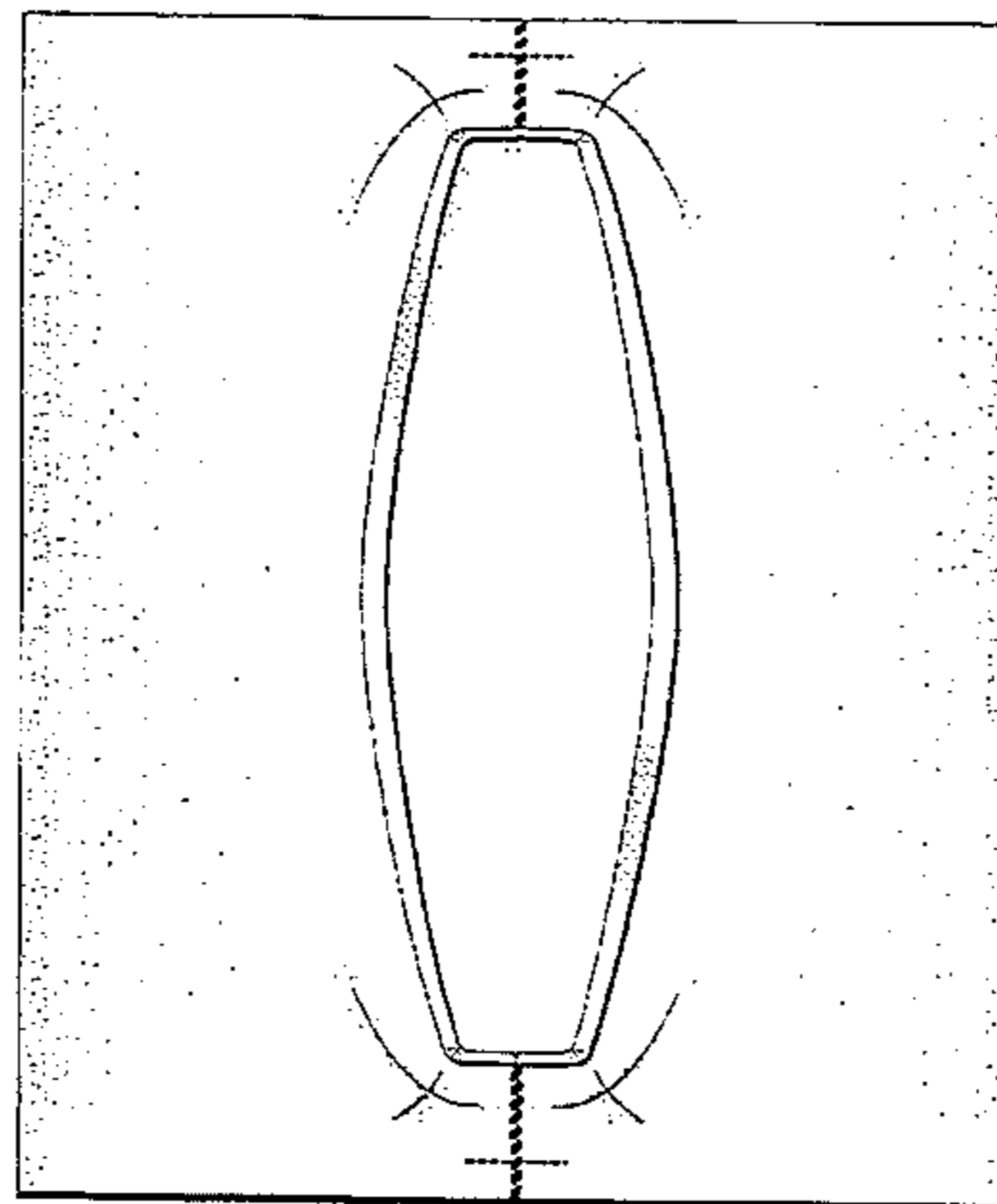


FIG. 1

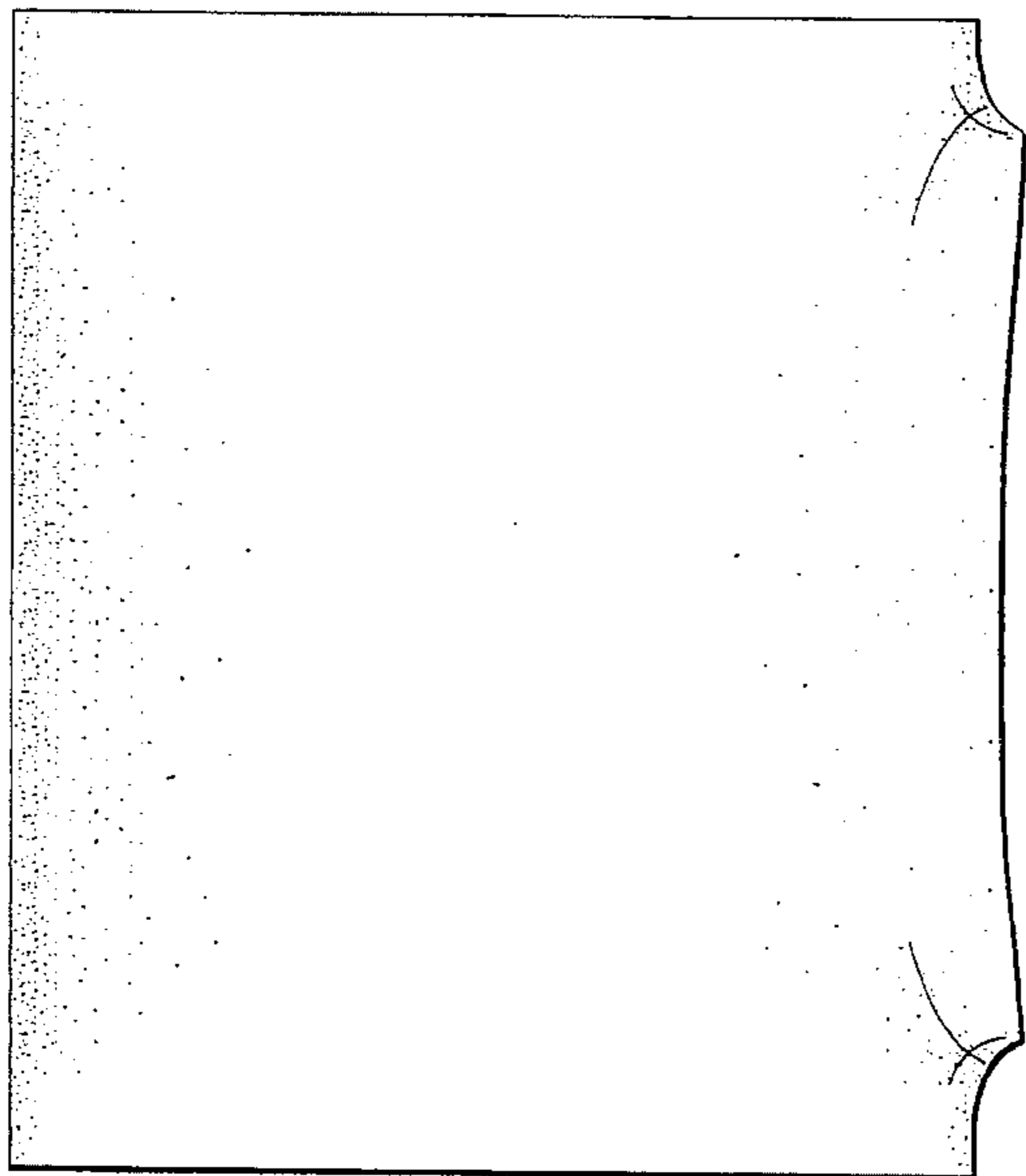
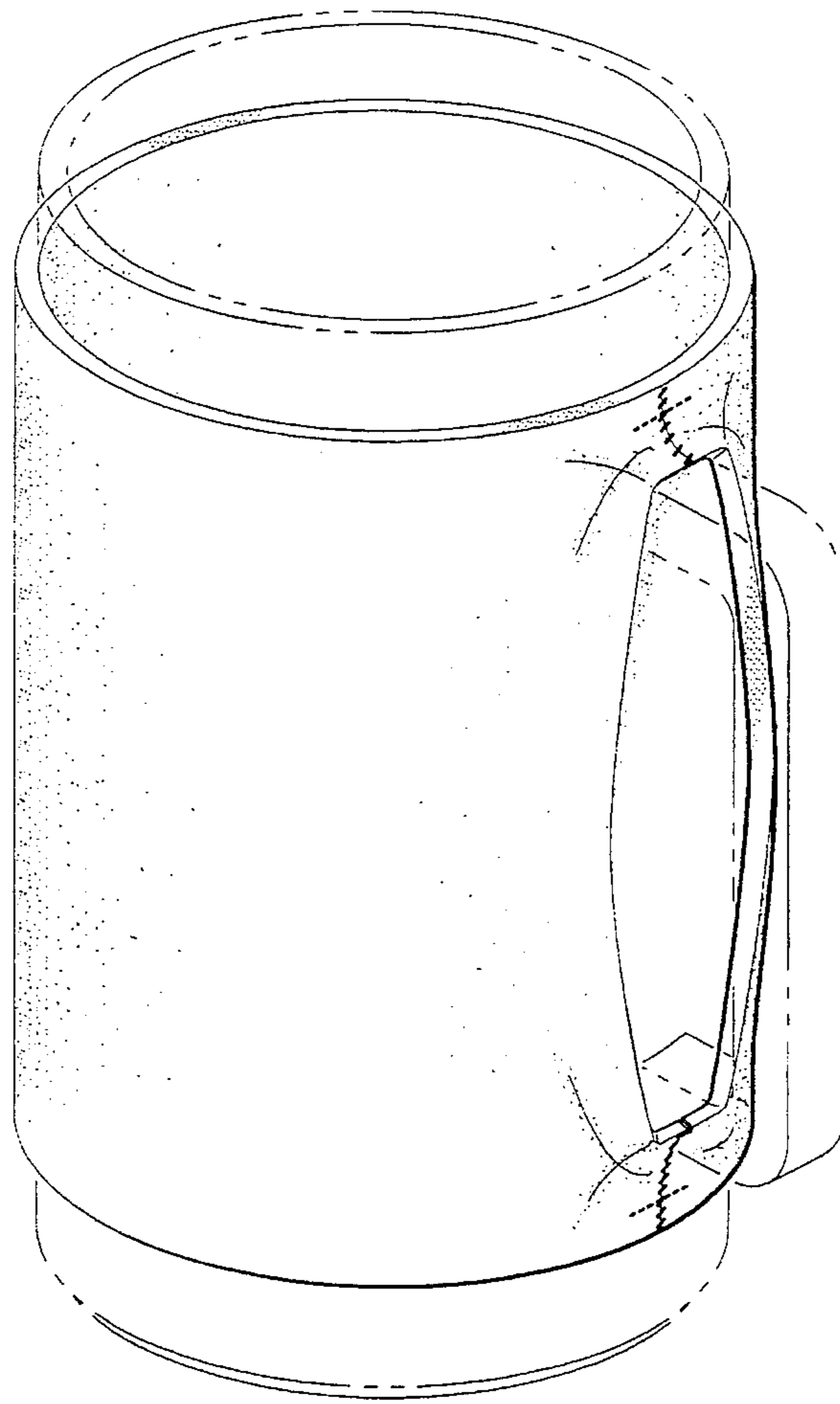


FIG. 2

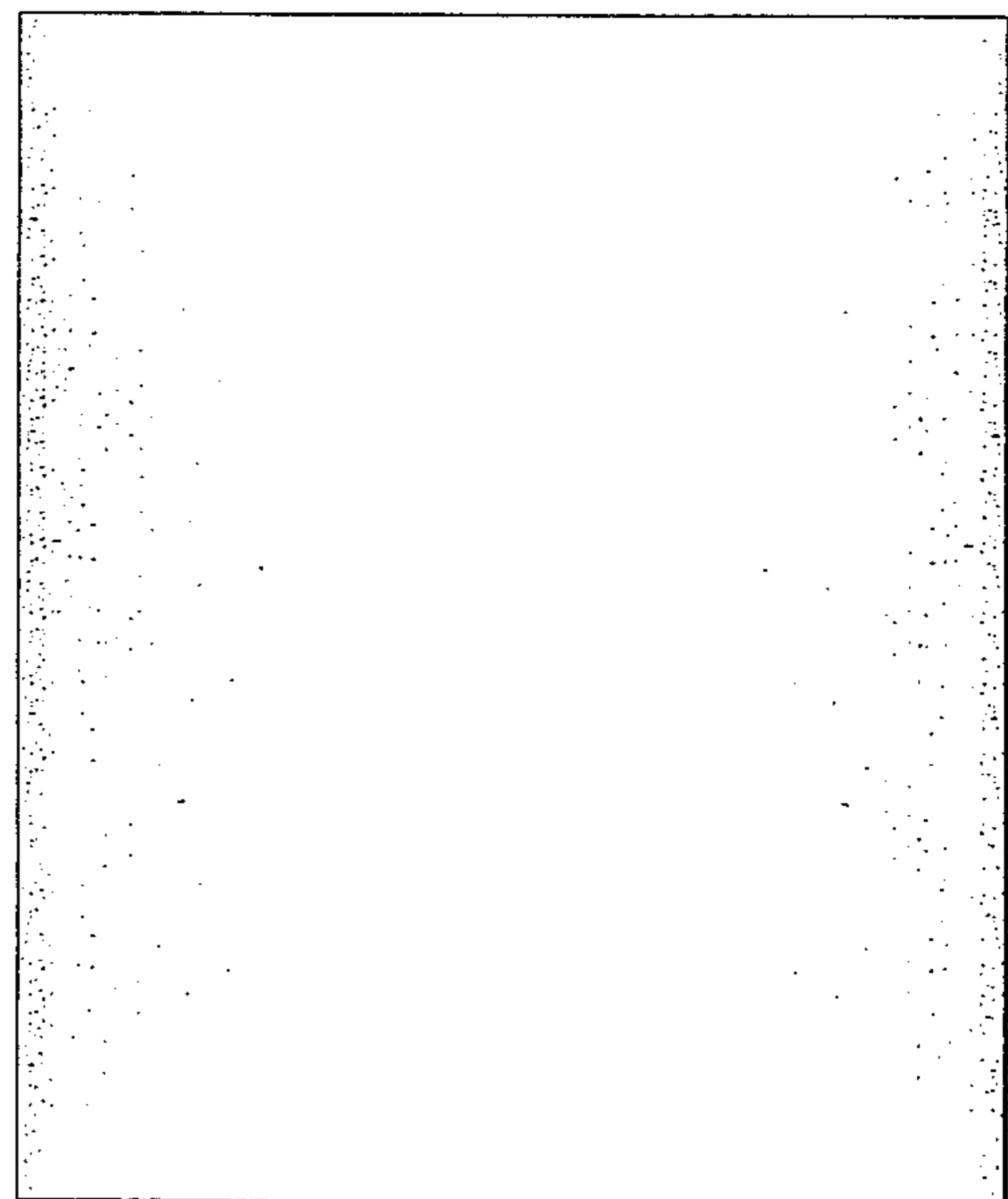


FIG. 3

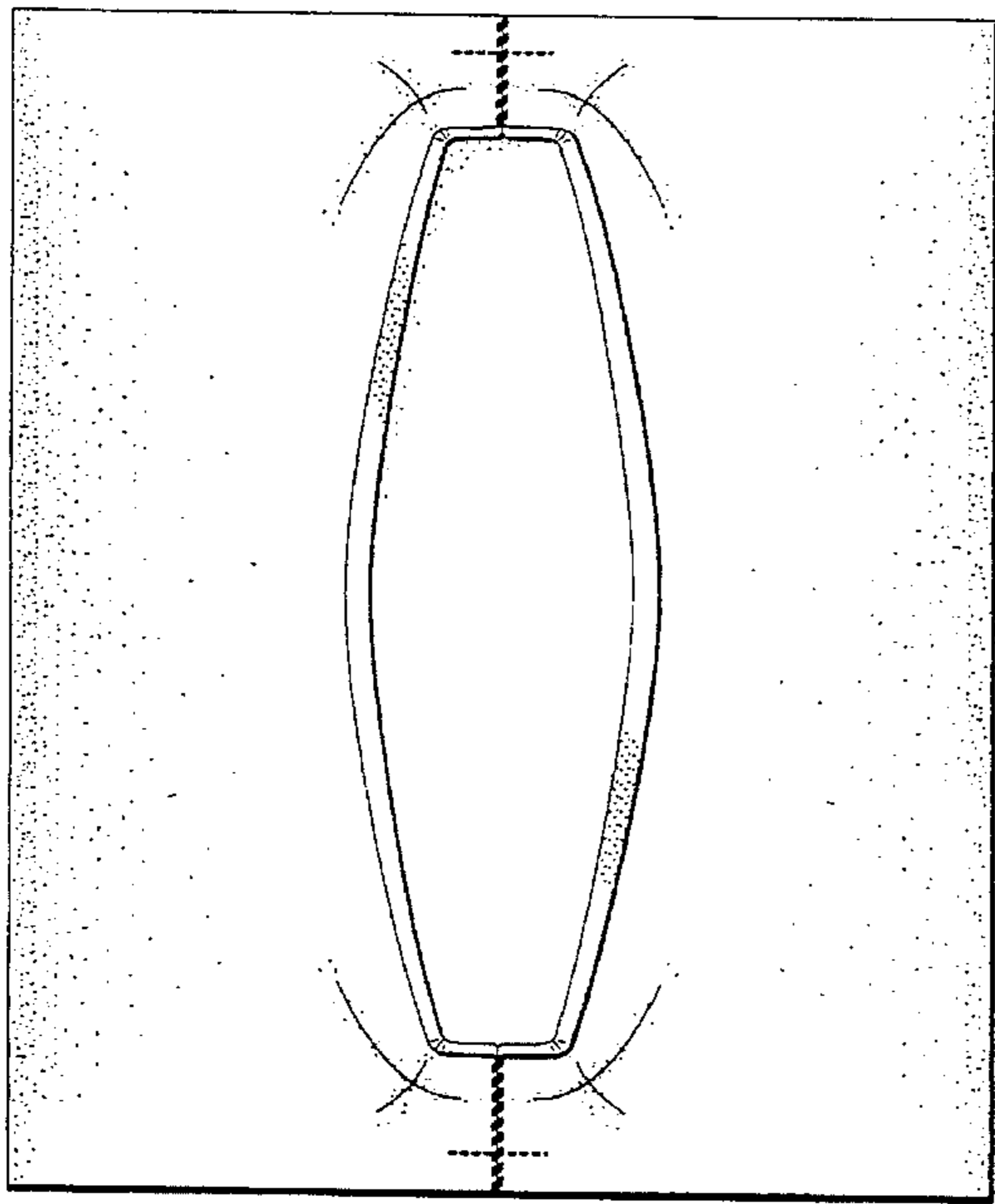


FIG. 4

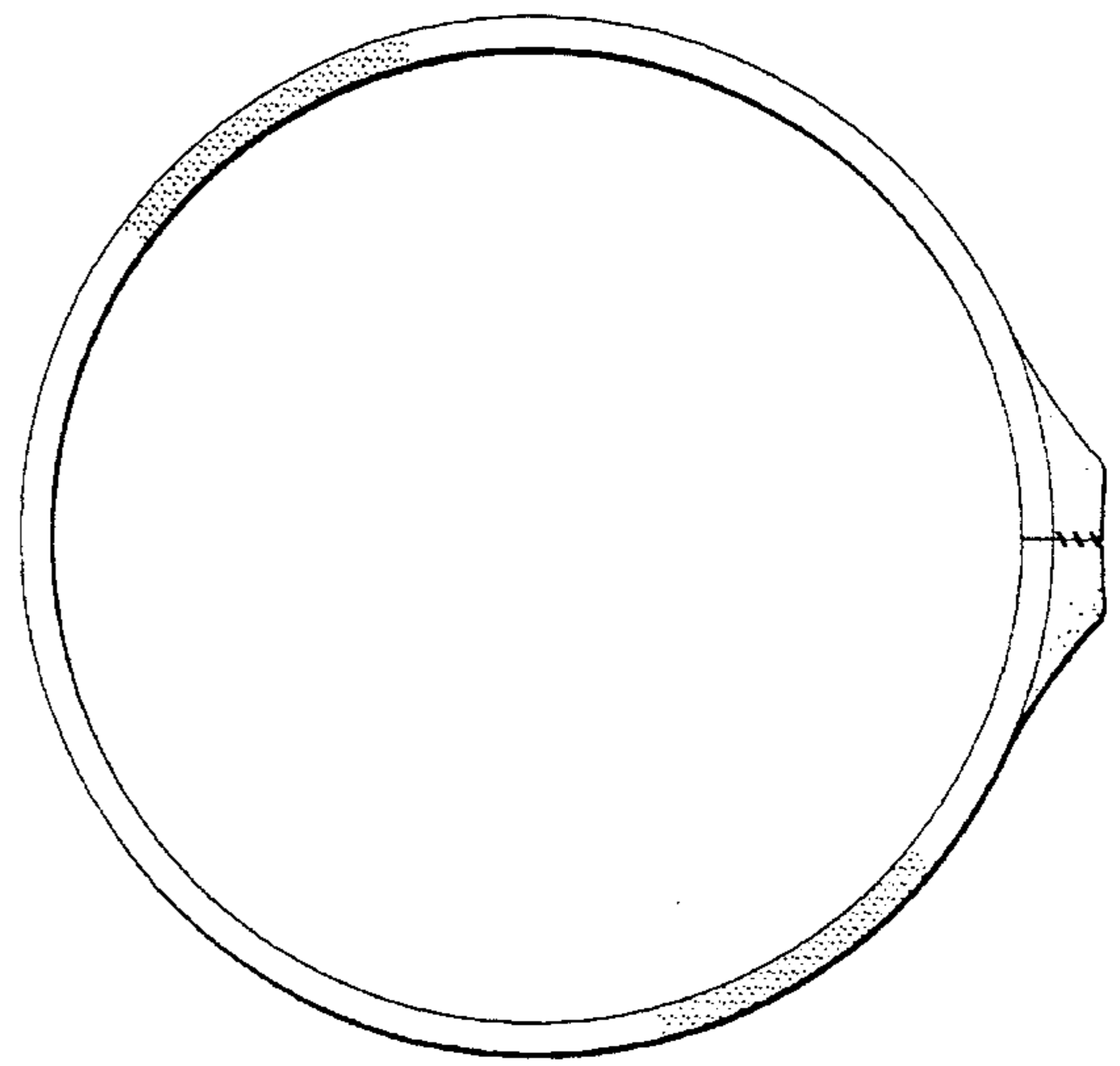


FIG. 5

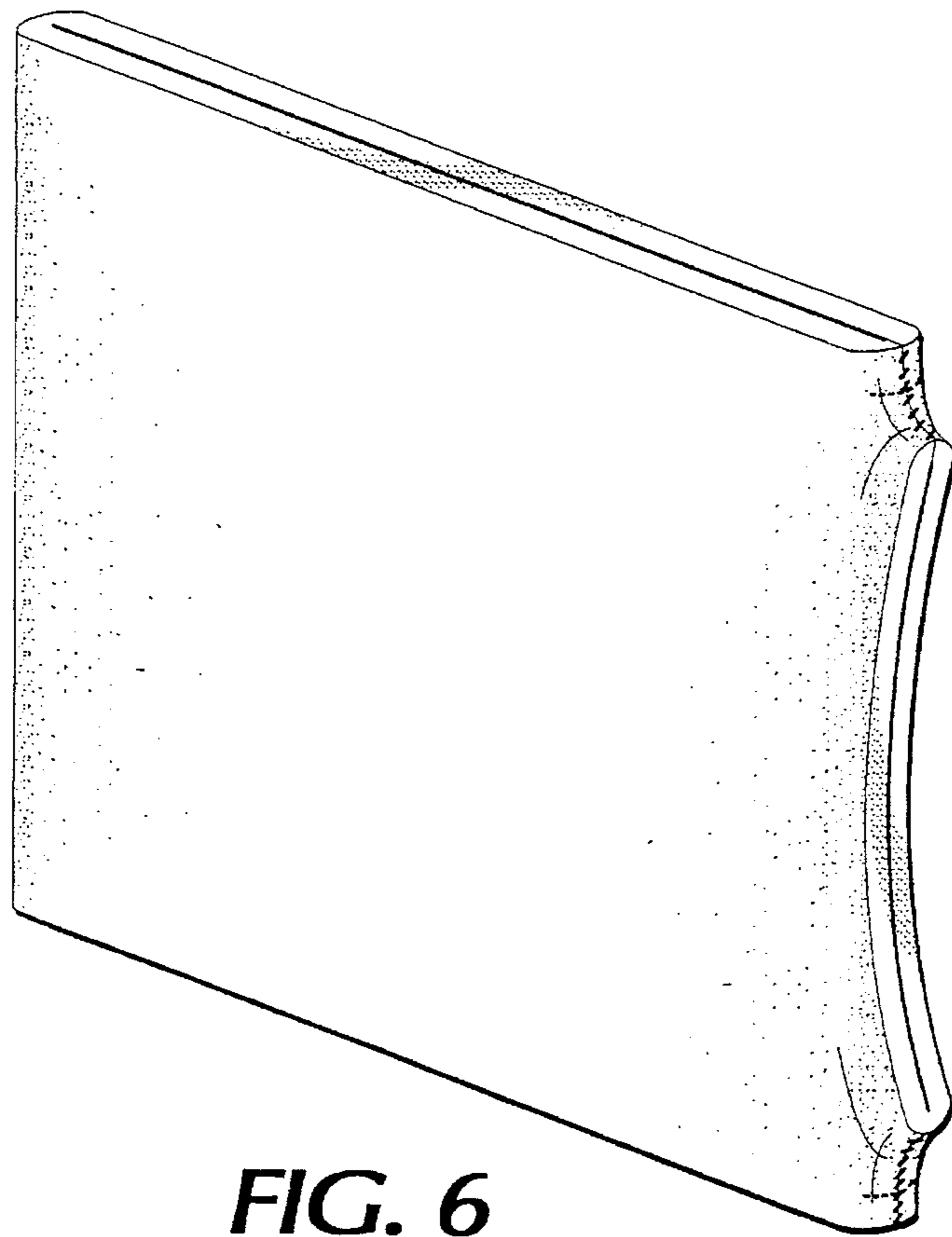


FIG. 6