



US00D370596S

**United States Patent** [19]  
**Fleisher**

[11] **Patent Number: Des. 370,596**

[45] **Date of Patent: \*\*Jun. 11, 1996**

[54] **TACO HOLDER**

D. 333,408 2/1993 Fleisheiz ..... D7/504  
D. 334,509 4/1993 Melvin ..... D7/504

[76] Inventor: **Nathaniel Fleisher**, 258 Tuscany-E,  
Delray Beach, Fla. 33446-1227

*Primary Examiner*—Terry A. Wallace

[\*\*] Term: **14 Years**

[57] **CLAIM**

[21] Appl. No.: **43,260**

The ornamental design for a taco holder, as shown and described.

[22] Filed: **Aug. 30, 1995**

**DESCRIPTION**

**Related U.S. Application Data**

FIG. 1 is a perspective view of a taco holder showing my new design;

[63] Continuation-in-part of Ser. No. 20,533, May 9, 1994.

[52] **U.S. Cl.** ..... **D7/504**

FIG. 2 is a front elevation view thereof;

[58] **Field of Search** ..... D7/409, 504; D6/407,  
D6/462; 99/426; 211/10, 11, 13, 71; 248/107,  
153, 175

FIG. 3 is a rear elevation view thereof;

FIG. 4 is a bottom plan view thereof;

FIG. 5 is a left side elevation view thereof; and,

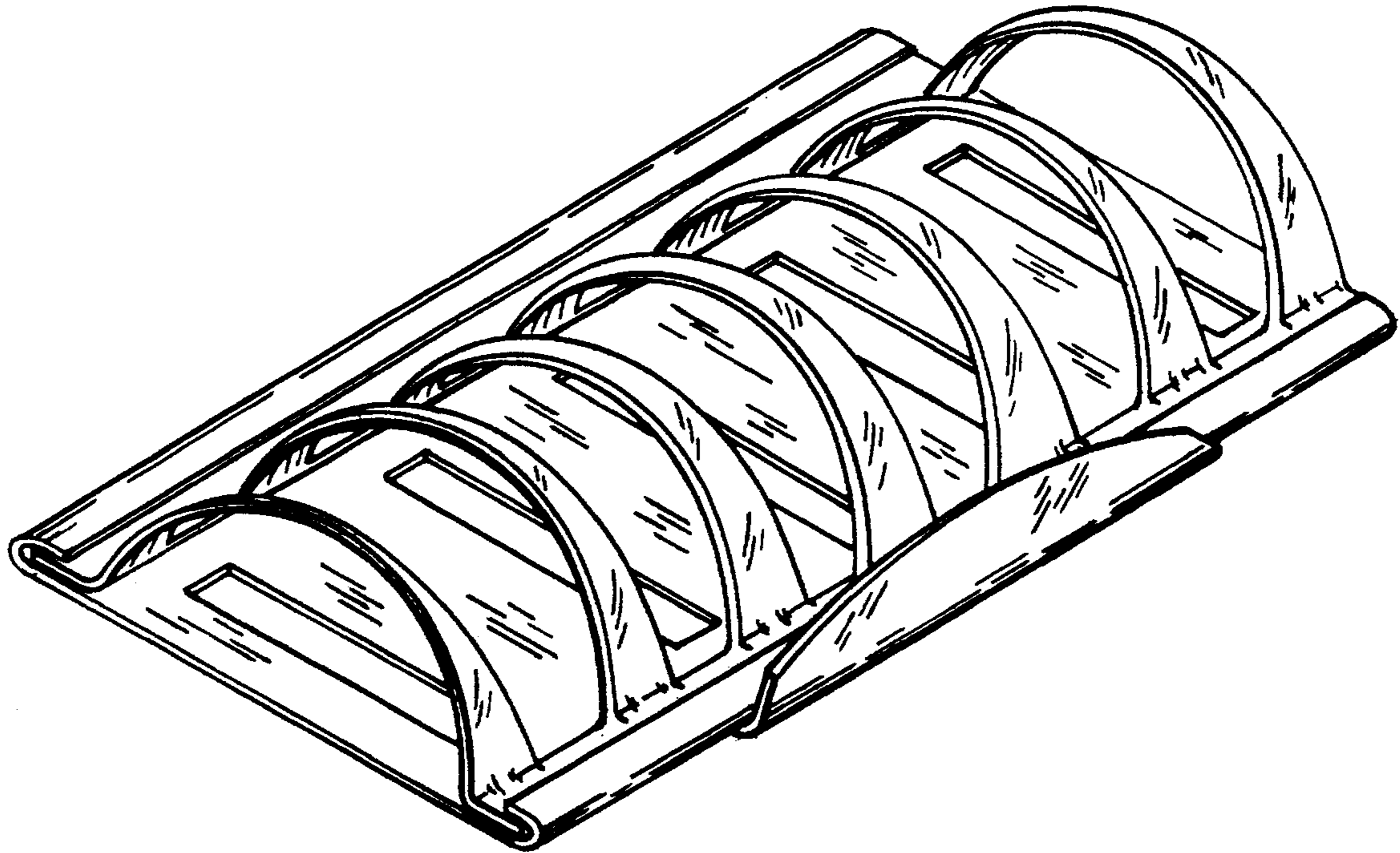
FIG. 6 is a right side elevation view thereof.

[56] **References Cited**

**U.S. PATENT DOCUMENTS**

D. 327,606 7/1992 Oellig et al. .... D7/504

**1 Claim, 2 Drawing Sheets**



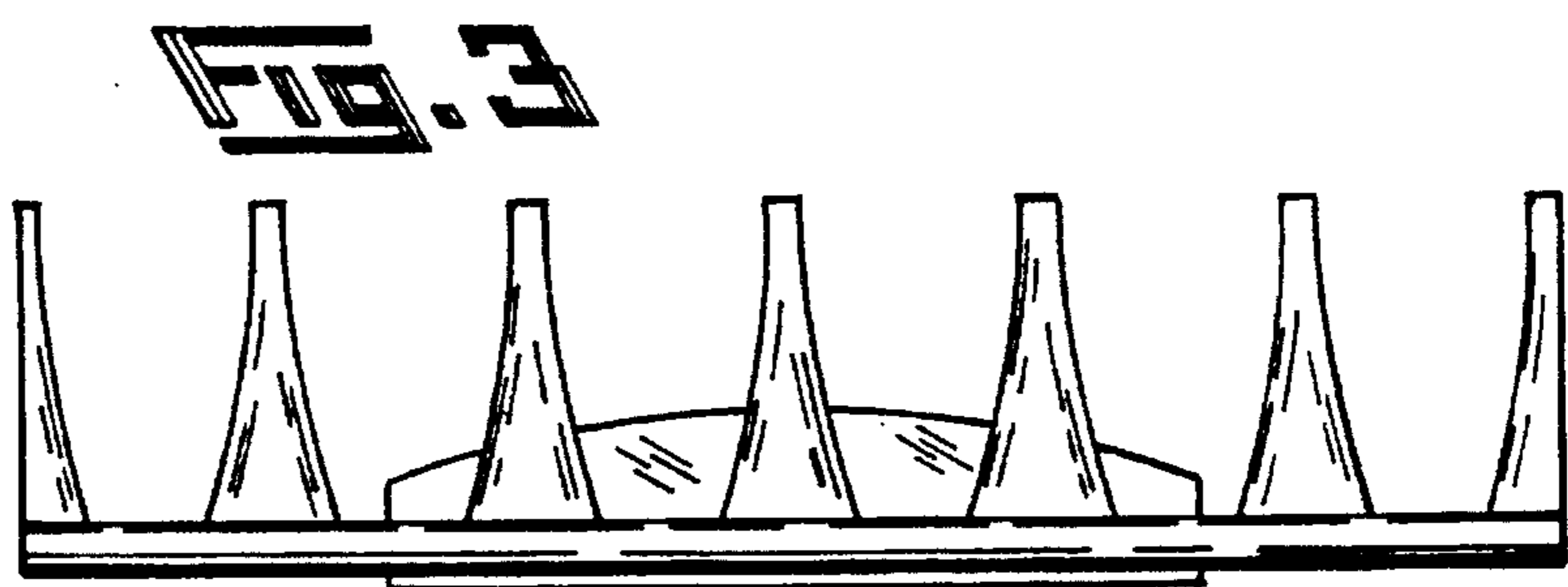
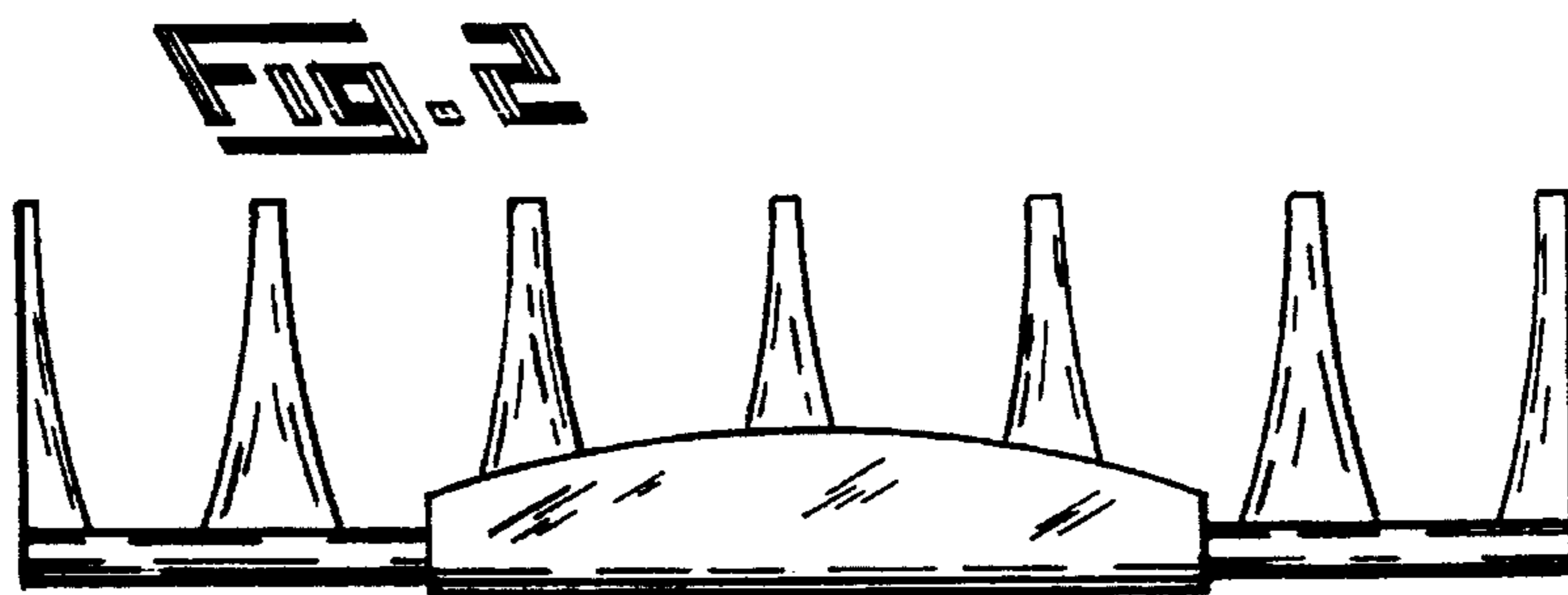
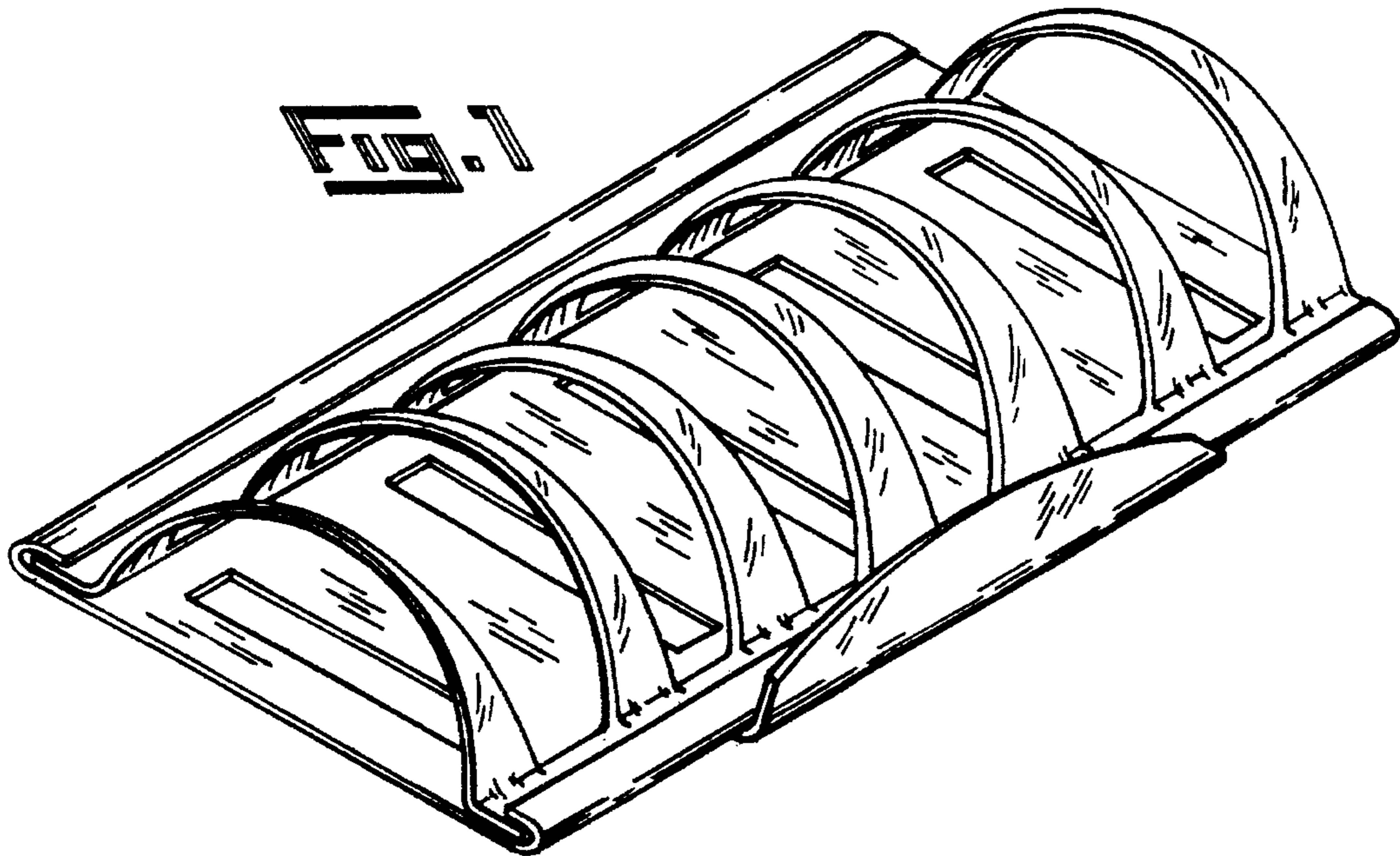


FIG. 4

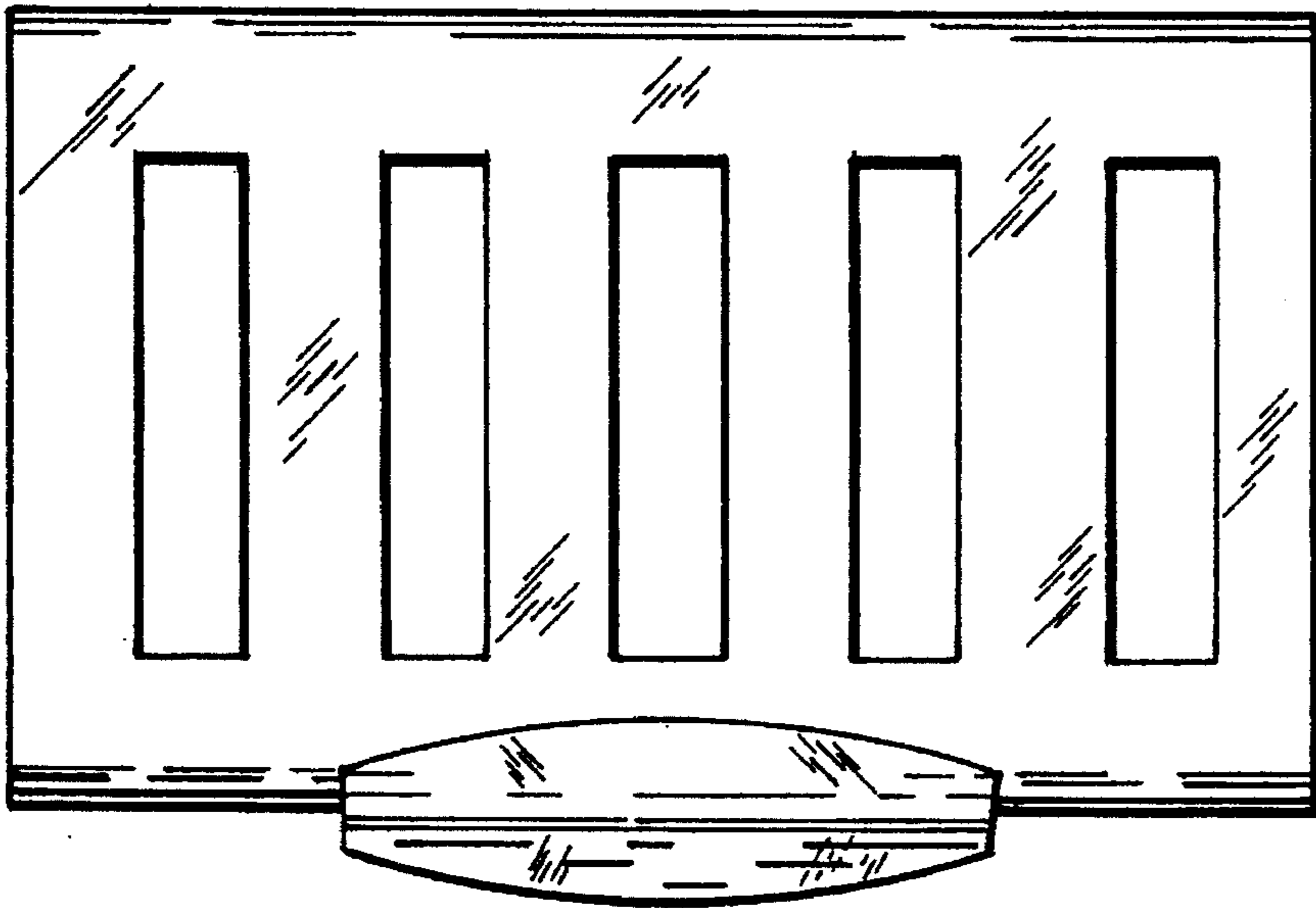


FIG. 5

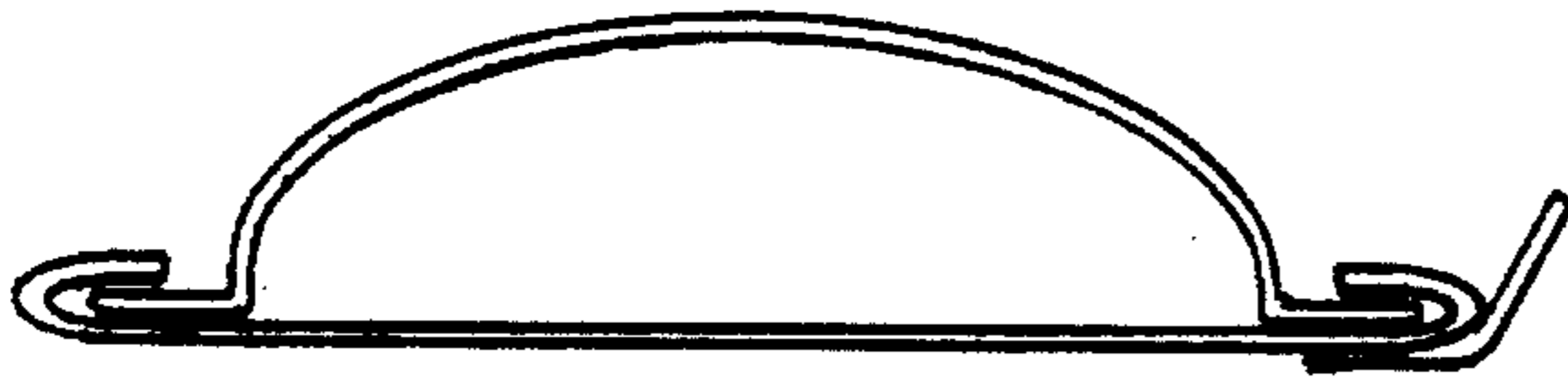


FIG. 6

