



US00D370595S

United States Patent [19] Koziol

[11] **Patent Number: Des. 370,595**
[45] **Date of Patent: **Jun. 11, 1996**

[54] **COOKING RACK**

[75] Inventor: **Walter Koziol**, Antioch, Ill.

[73] Assignee: **Modern Home Products Corp.**,
Antioch, Ill.

[**] Term: **14 Years**

[21] Appl. No.: **17,772**

[22] Filed: **Jan. 21, 1994**

[52] U.S. Cl. **D7/409**

[58] **Field of Search** D7/409, 334, 335,
D7/387, 402, 406, 213; 99/339, 385, 421 H,
422, 448-450, 425; 126/25 R, 9 A, 29,
30, 59

[56] **References Cited**

U.S. PATENT DOCUMENTS

2,360,026	10/1944	Wall	99/426
3,224,357	12/1965	Rubens	99/259
3,247,827	4/1966	Cremer	126/25 R
3,520,290	7/1970	Winters	126/25 R
3,938,495	2/1976	Bauer et al.	126/25 R X
4,569,279	2/1986	Avner	99/450
4,667,652	5/1987	Bunton	126/25 R
4,930,491	6/1990	Purello	126/332
4,979,437	12/1990	Giebel	126/25 R X
5,105,725	4/1992	Haglund	99/446
5,163,358	11/1992	Hanagan et al.	126/25 R X

OTHER PUBLICATIONS

Modern Home Products identification board dated Jan. 1, 1983 entitled "Grid-Grate-A.P. Rack Identification and Dimensions" showing the CG-20 and CG-21 racks.

Page 1 of a 1989 Modern Home Products catalog showing warming racks in FIGS. 4, 5 and 6.

Primary Examiner—Alan P. Douglas
Assistant Examiner—Caron D. Veynar
Attorney, Agent, or Firm—Quarles & Brady

[57] **CLAIM**

The ornamental design for a cooking rack, as shown and described.

DESCRIPTION

FIG. 1 is a top rear perspective view of a cooking rack showing my new design;

FIG. 2 is a front elevational view thereof;

FIG. 3 is a rear elevational view thereof;

FIG. 4 is a top plan view thereof;

FIG. 5 is a bottom view thereof;

FIG. 6 is left end elevational view of the first and second embodiments, the right end being a mirror image thereof;

FIG. 7 is a top rear perspective view of a second embodiment of a cooking rack;

FIG. 8 is a view similar to FIG. 7 showing the rack on a reduced scale and mounted on a barbecue grill;

FIG. 9 is a bottom view of the second and third embodiments thereof;

FIG. 10 is a front elevational view thereof;

FIG. 11 is a rear elevational view of the second and third embodiments thereof;

FIG. 12 is a top plan view thereof;

FIG. 13 is a top rear perspective view of a third embodiment;

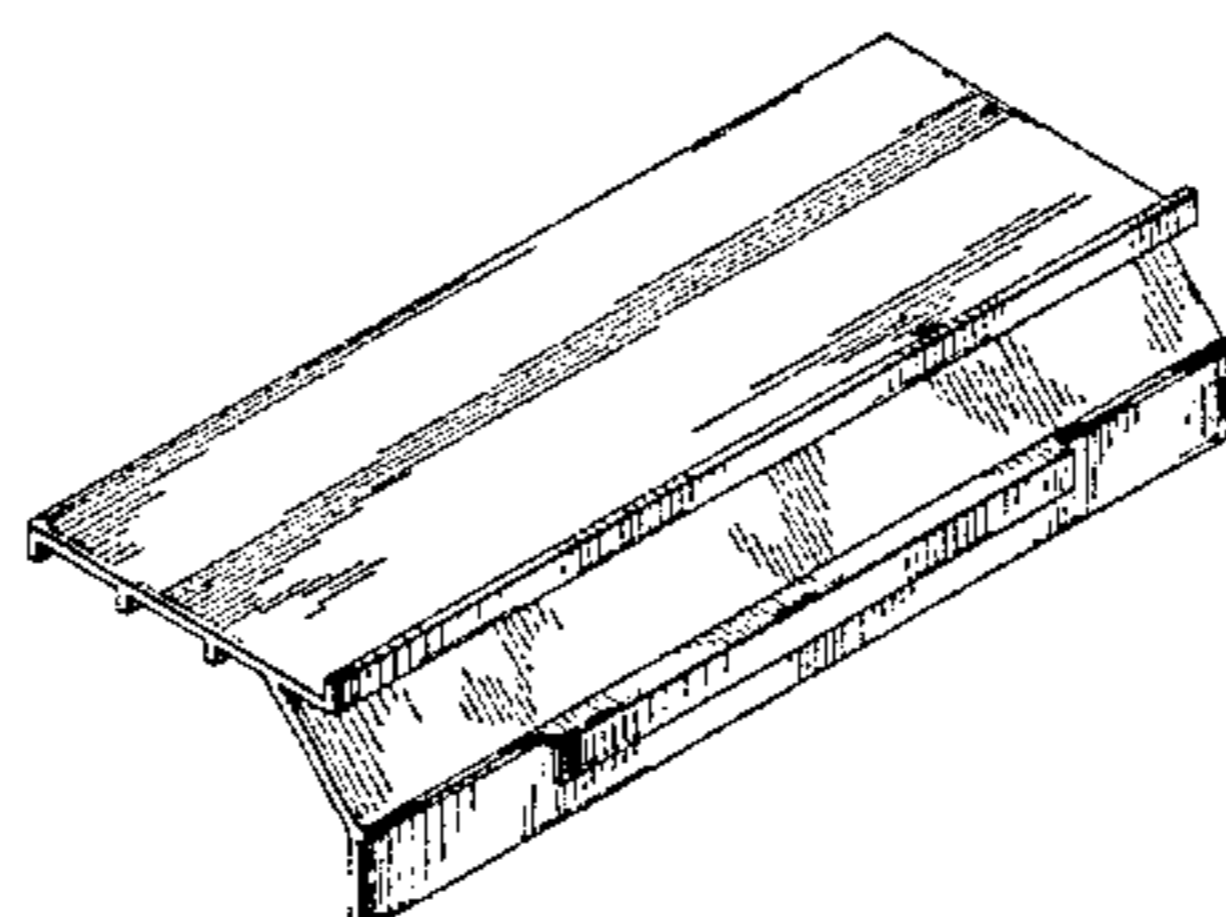
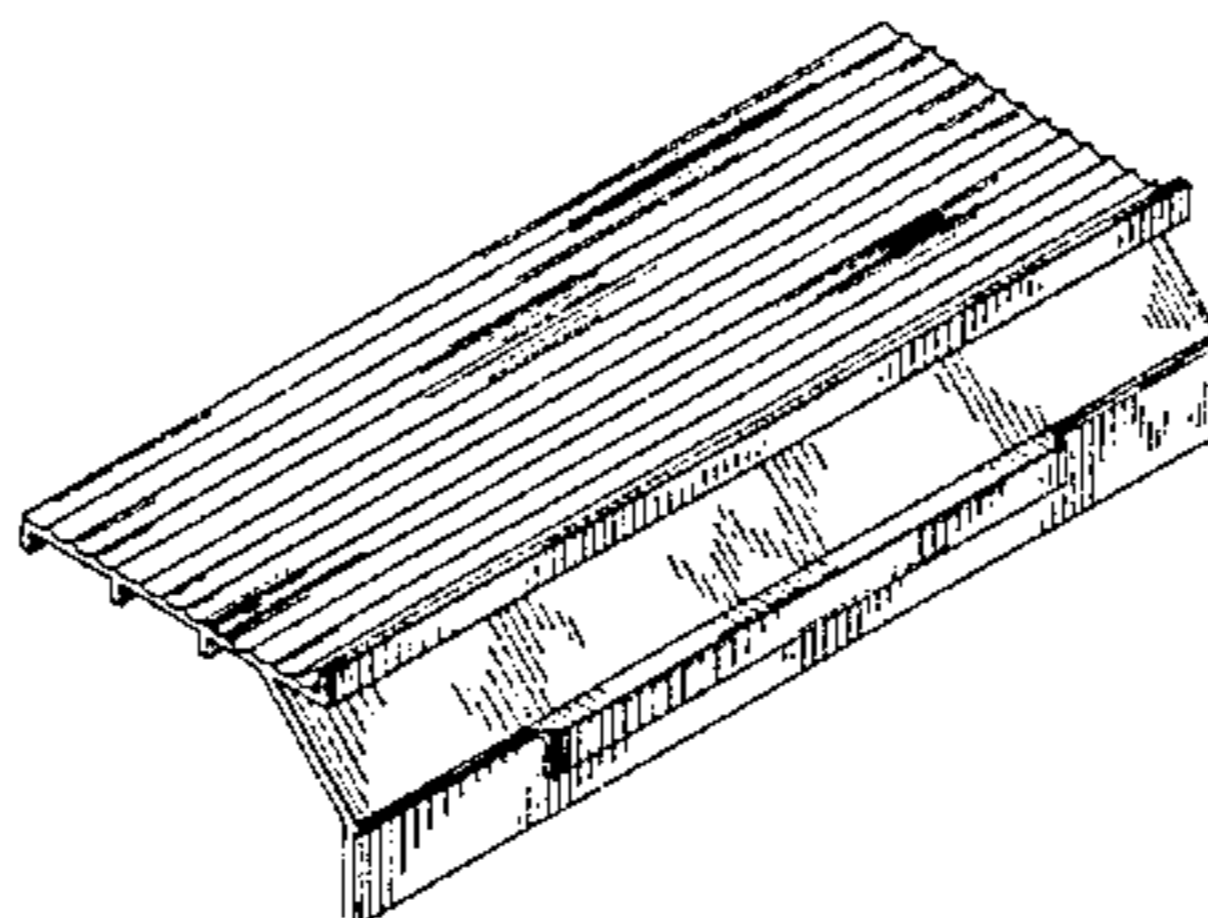
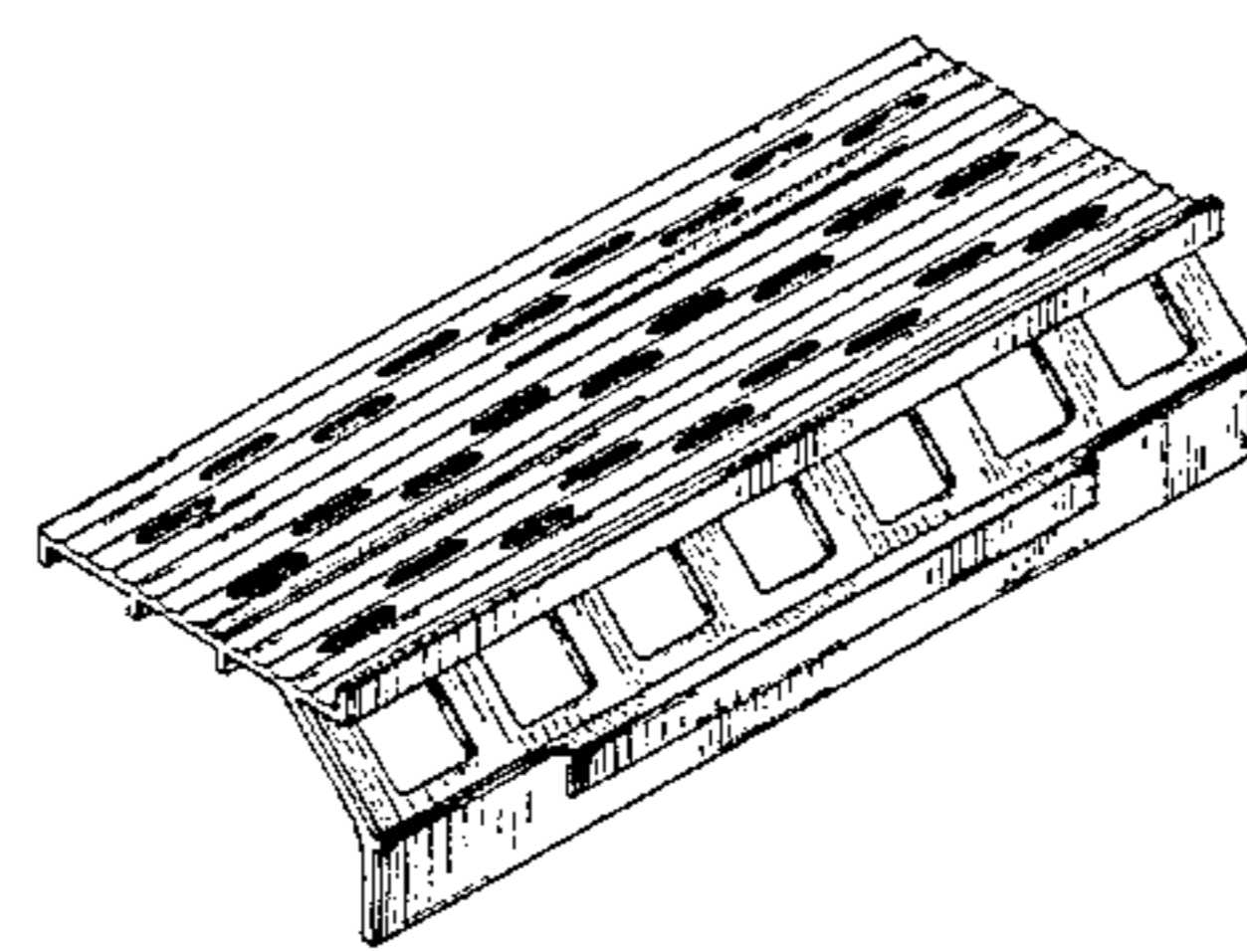
FIG. 14 is a top plan view thereof;

FIG. 15 is a front elevational view thereof; and,

FIG. 16 is a left end elevational view thereof, the right end being a mirror image thereof.

The broken line showing of a barbecue grill in FIG. 8 is for illustrative purposes only and forms no part of the claimed design.

1 Claim, 7 Drawing Sheets



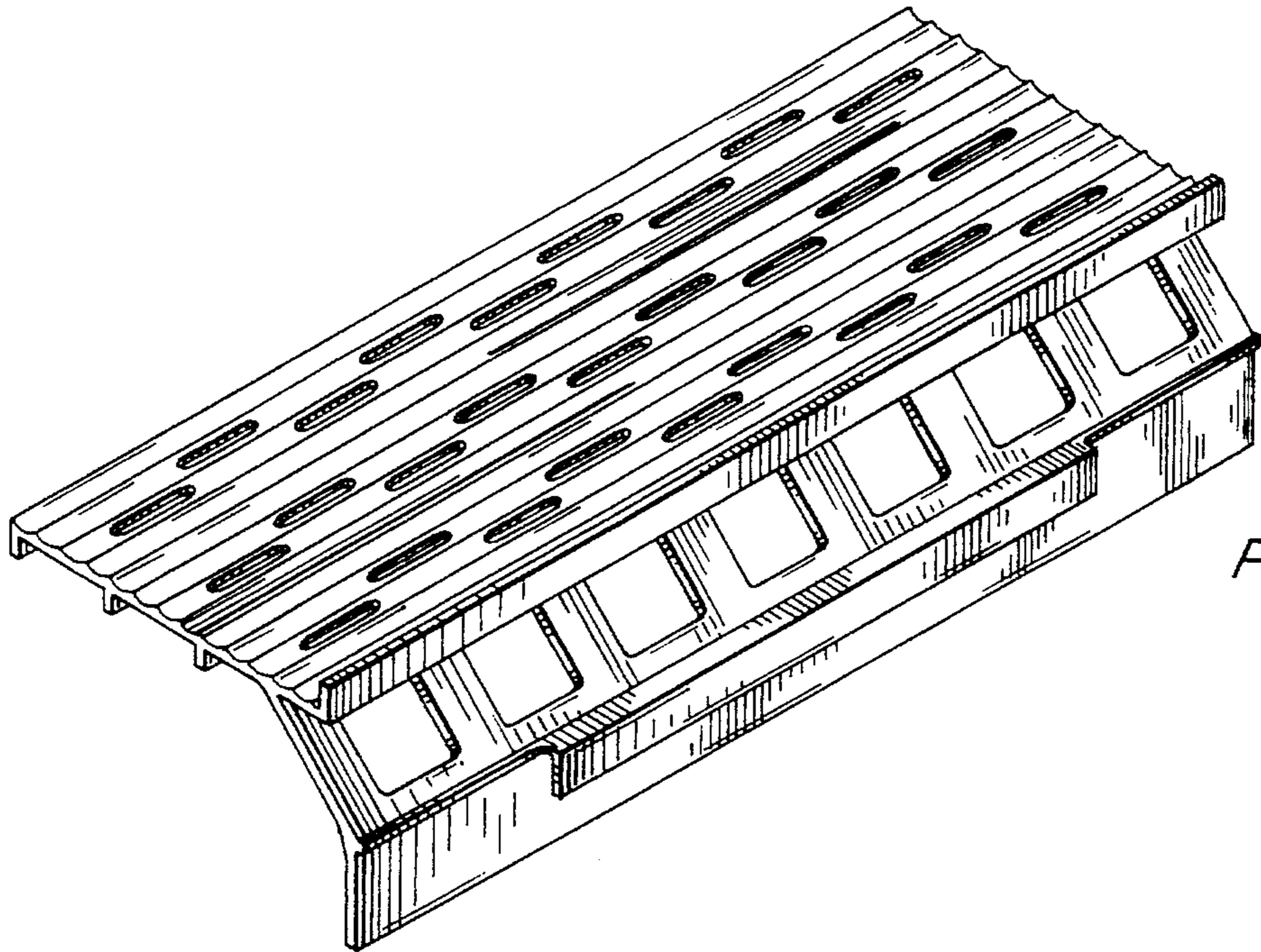


FIG. 1.

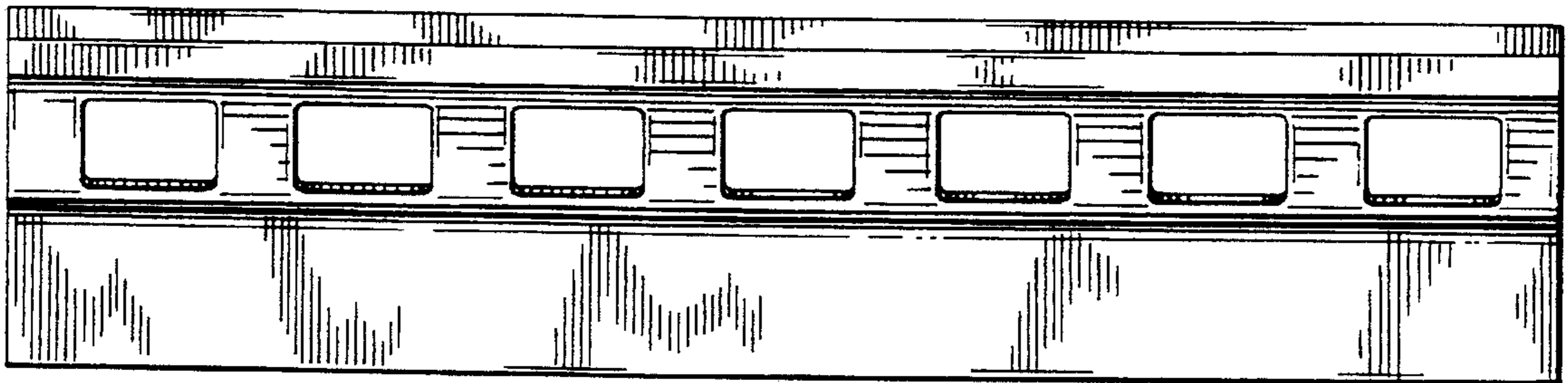


FIG. 2.

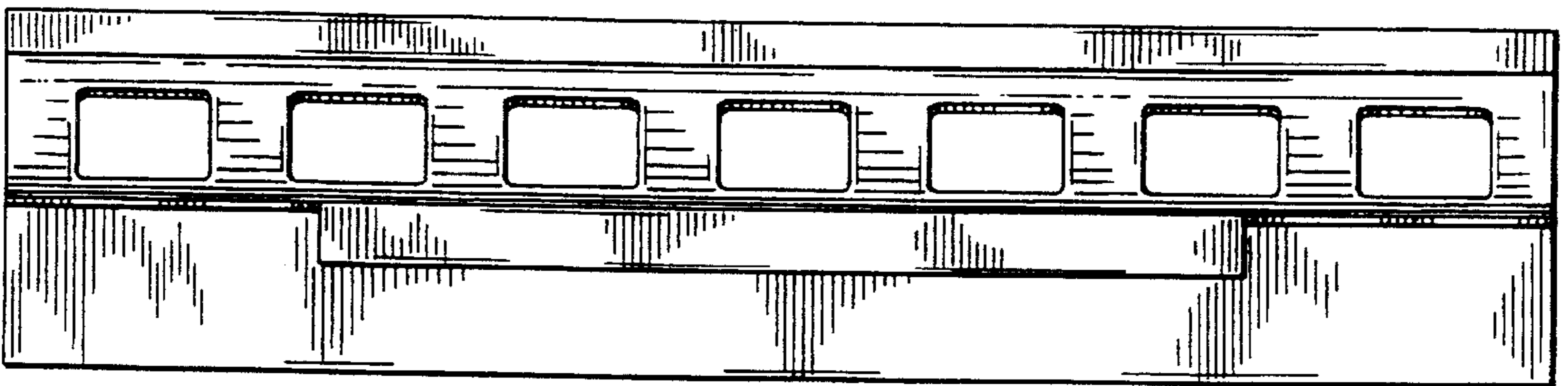


FIG. 3.

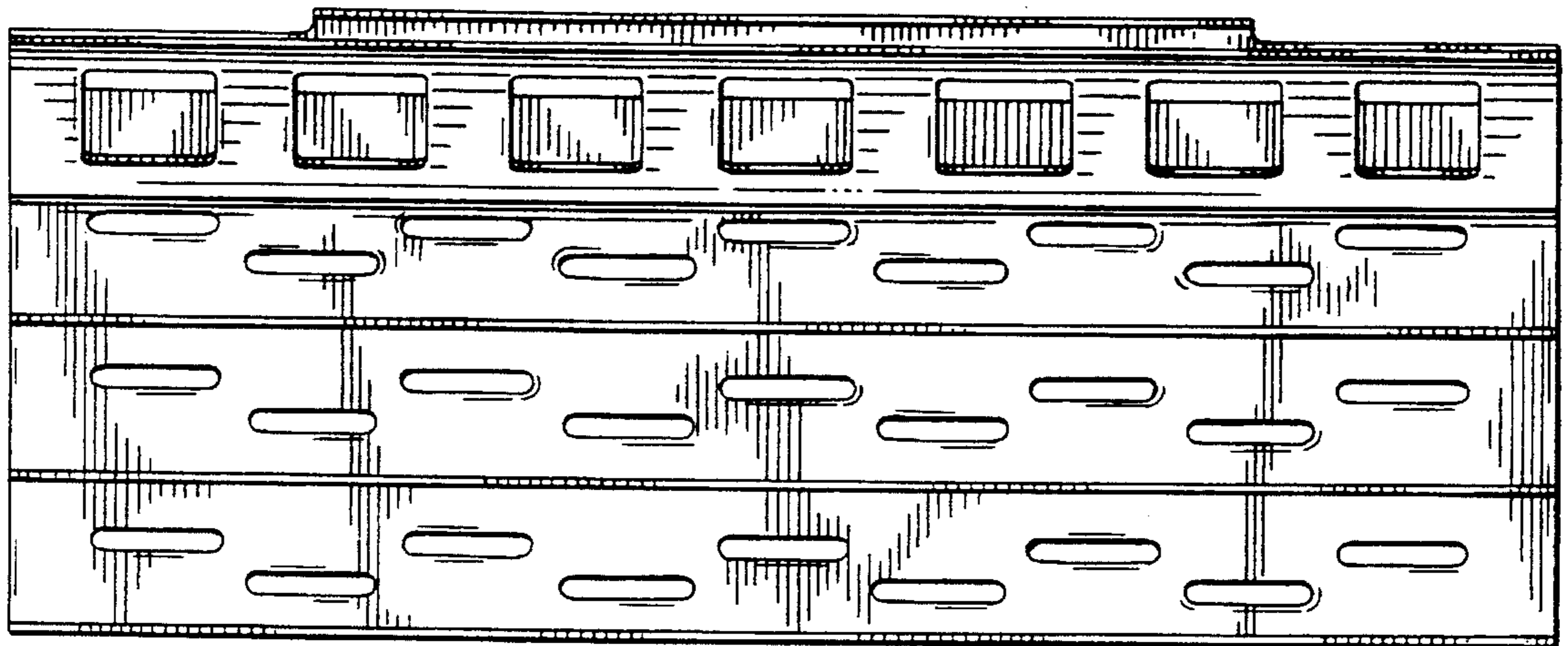
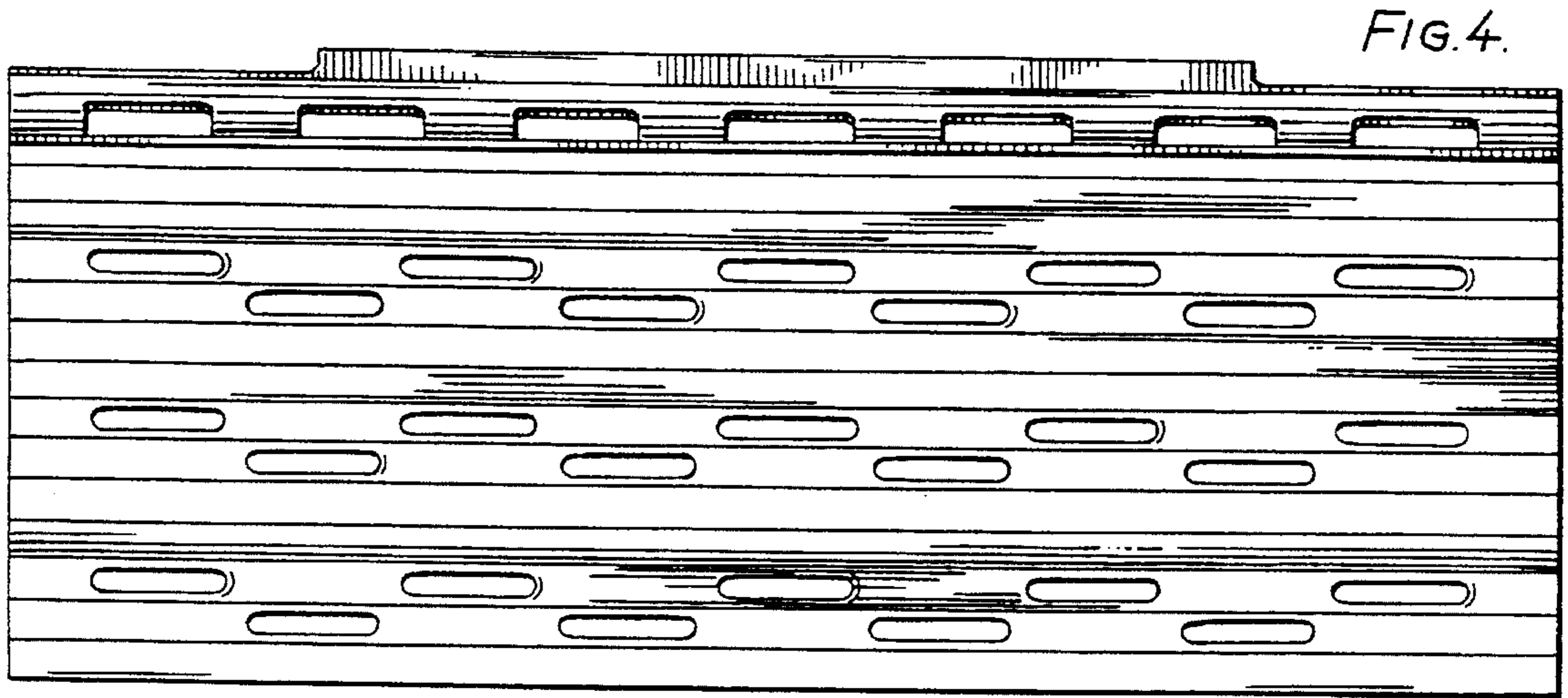


FIG. 5.

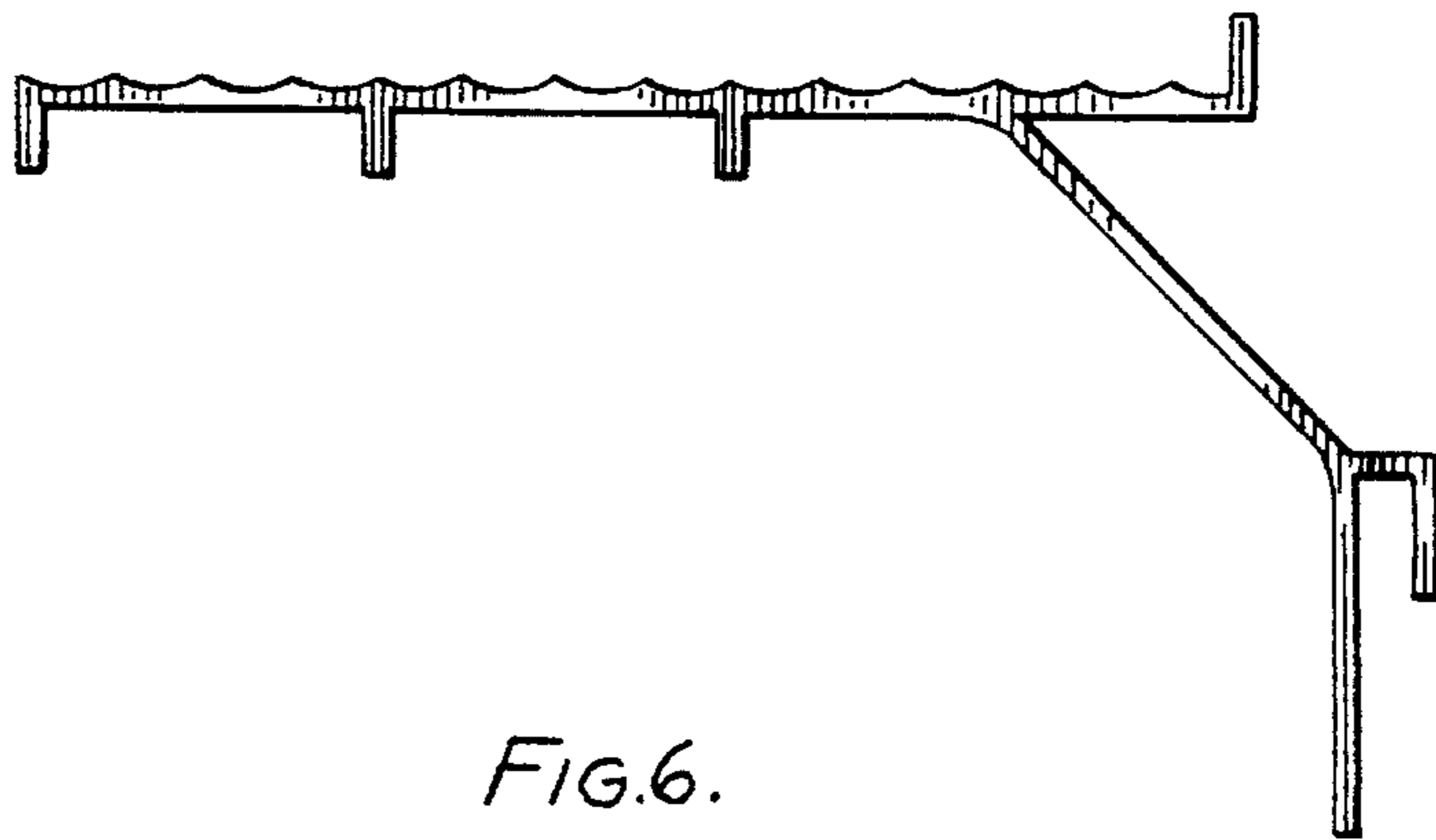


FIG. 6.

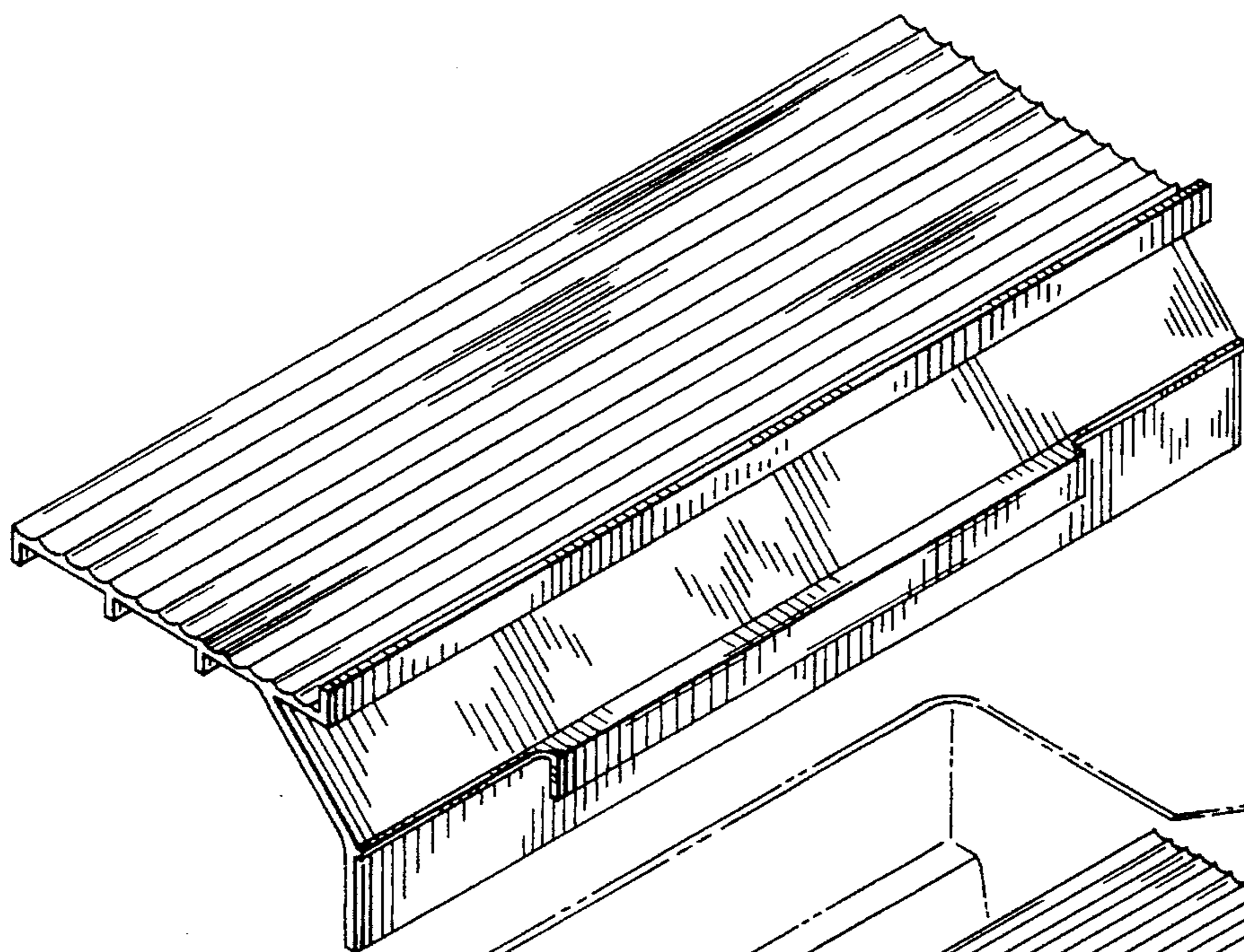


FIG. 7.

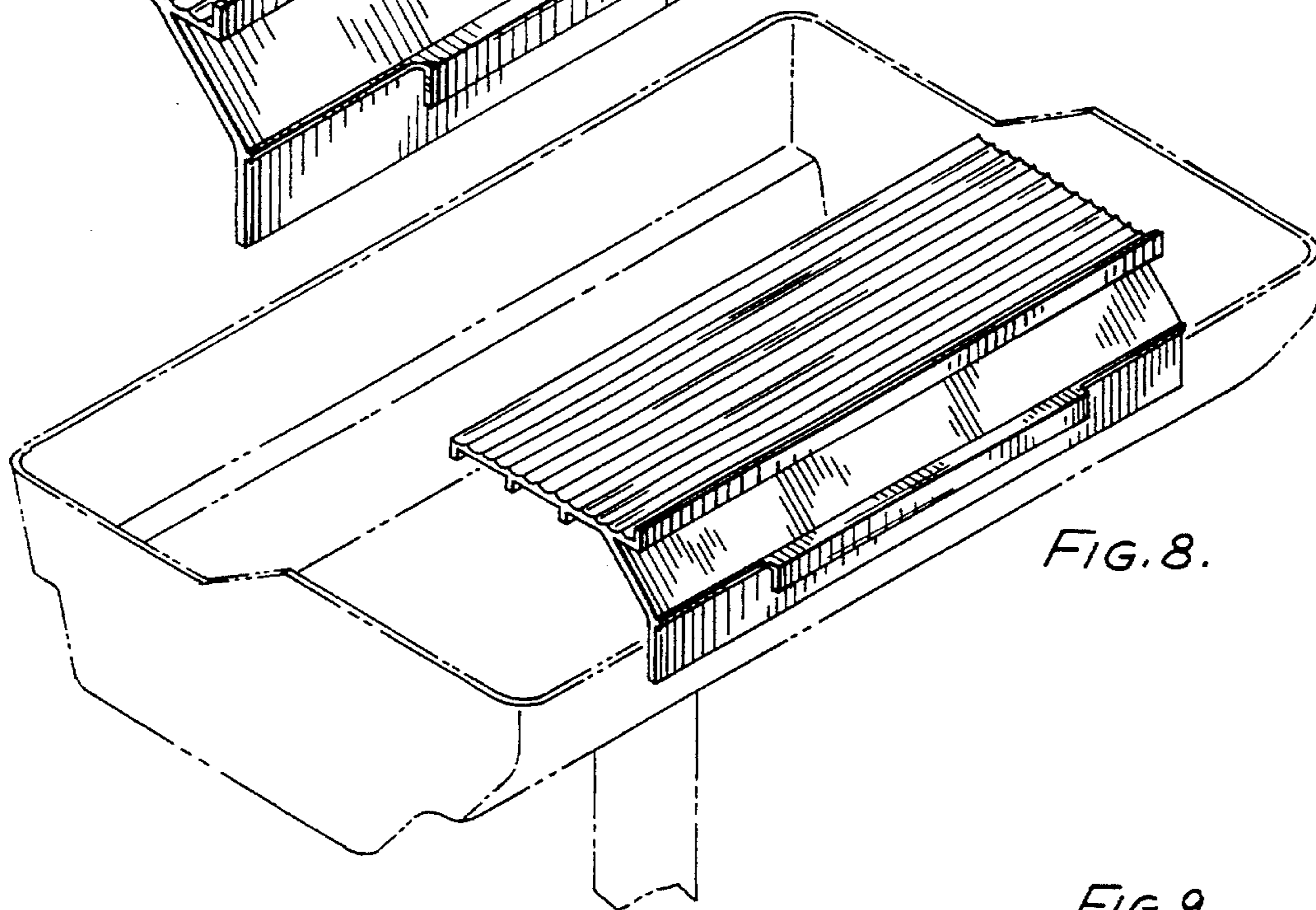


FIG. 8.

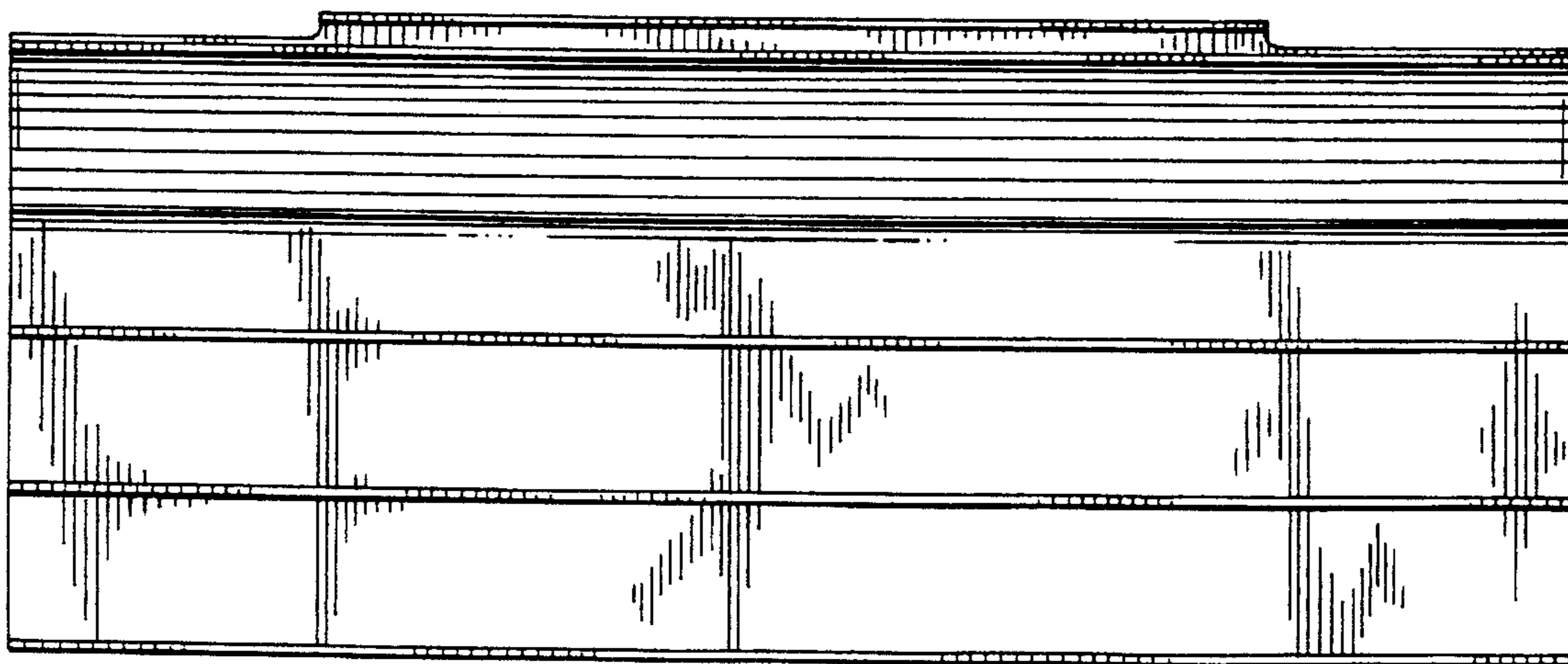


FIG. 9.

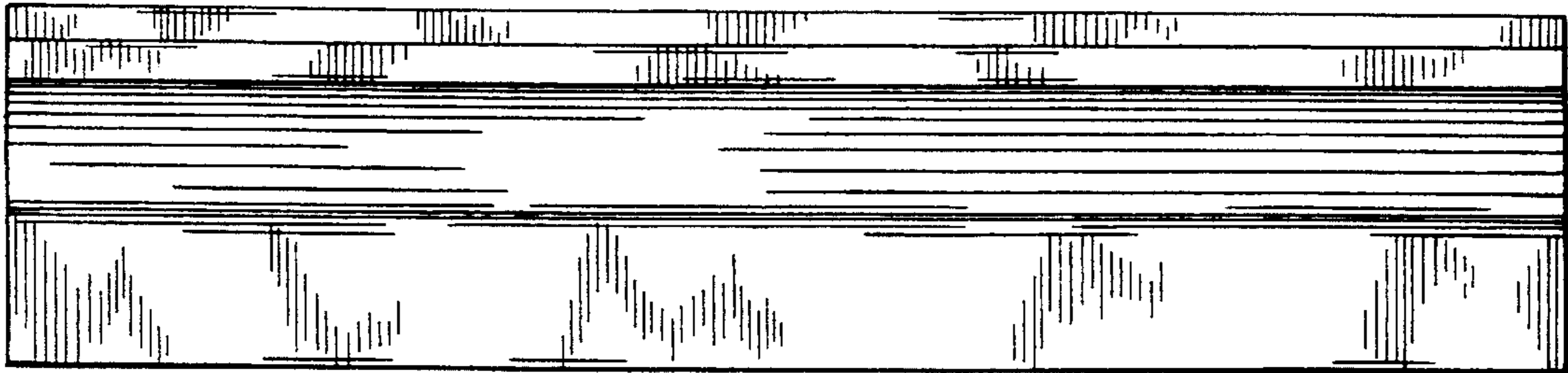


FIG. 10.

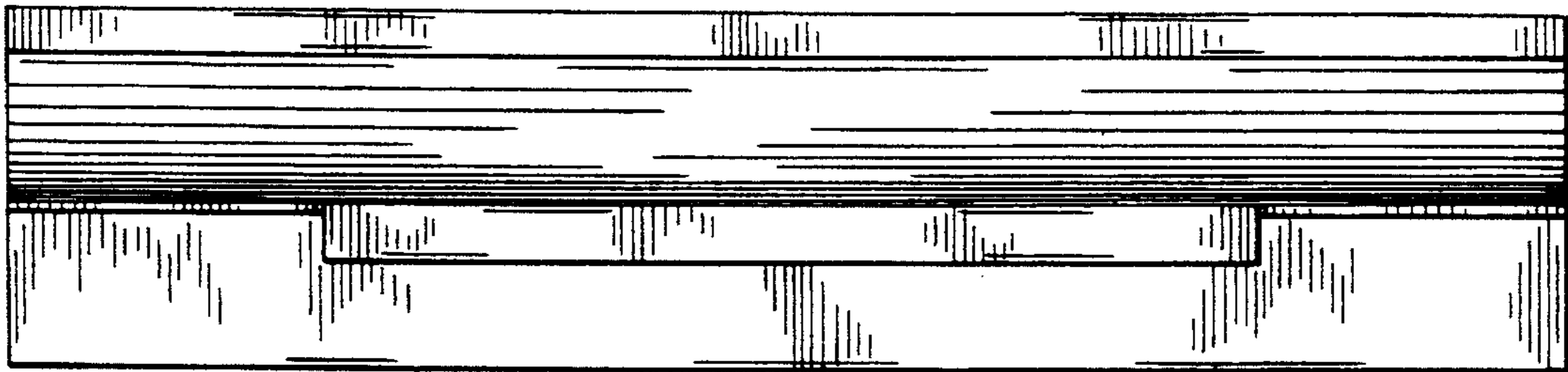


FIG. 11.

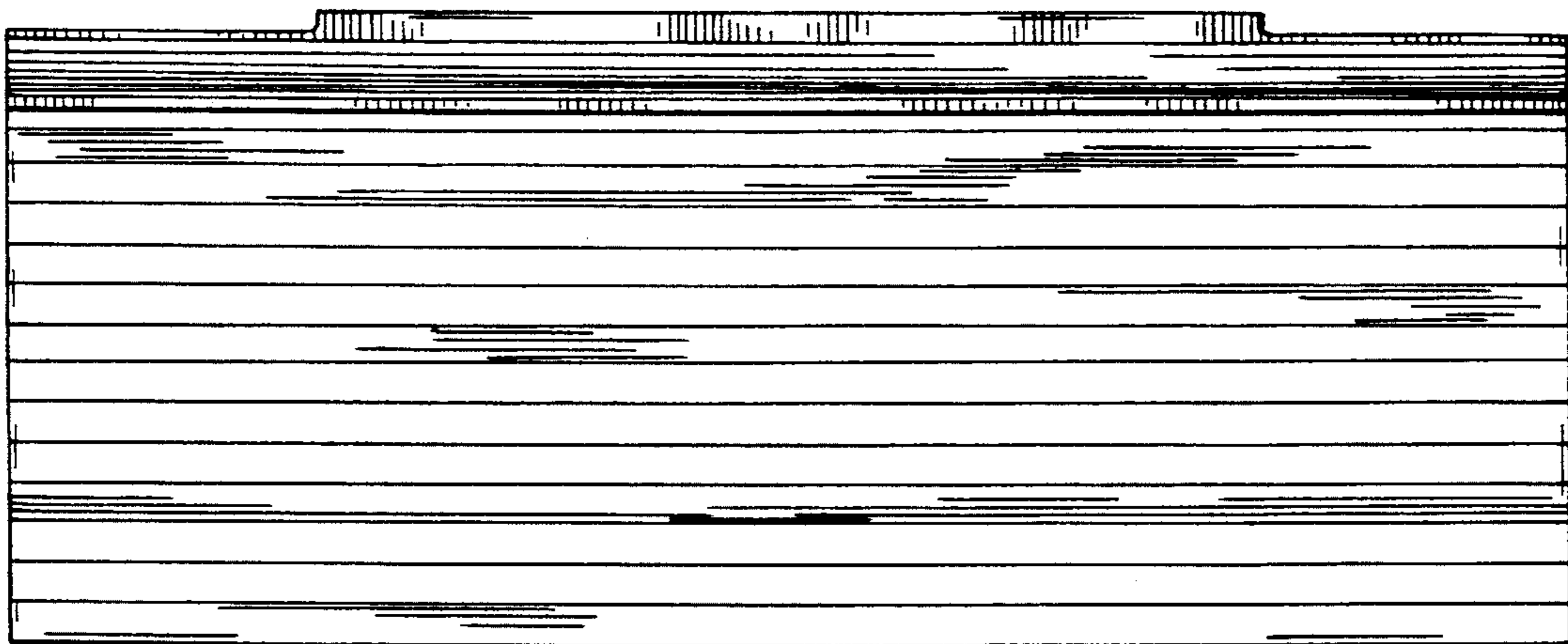


FIG. 12.

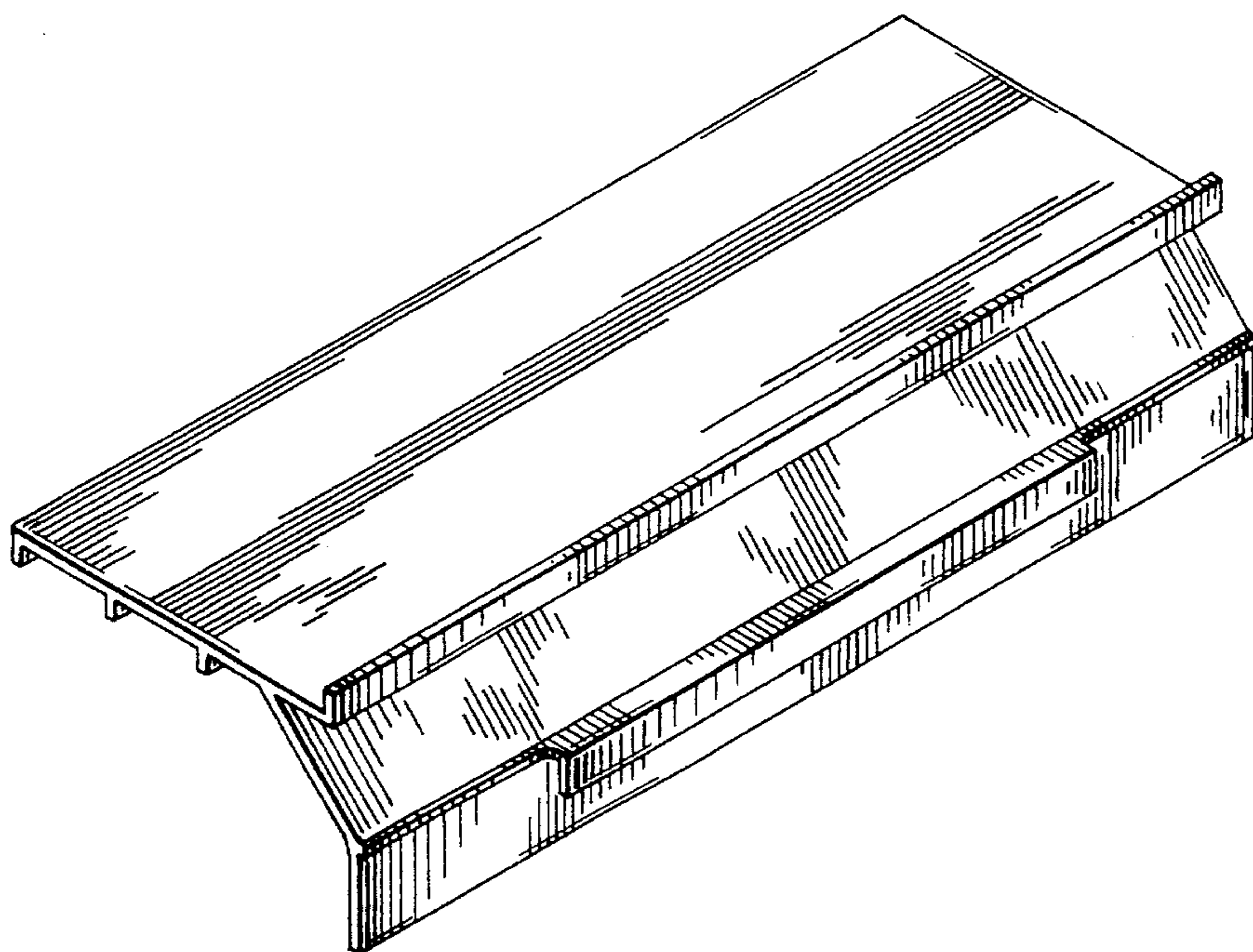


FIG.13.

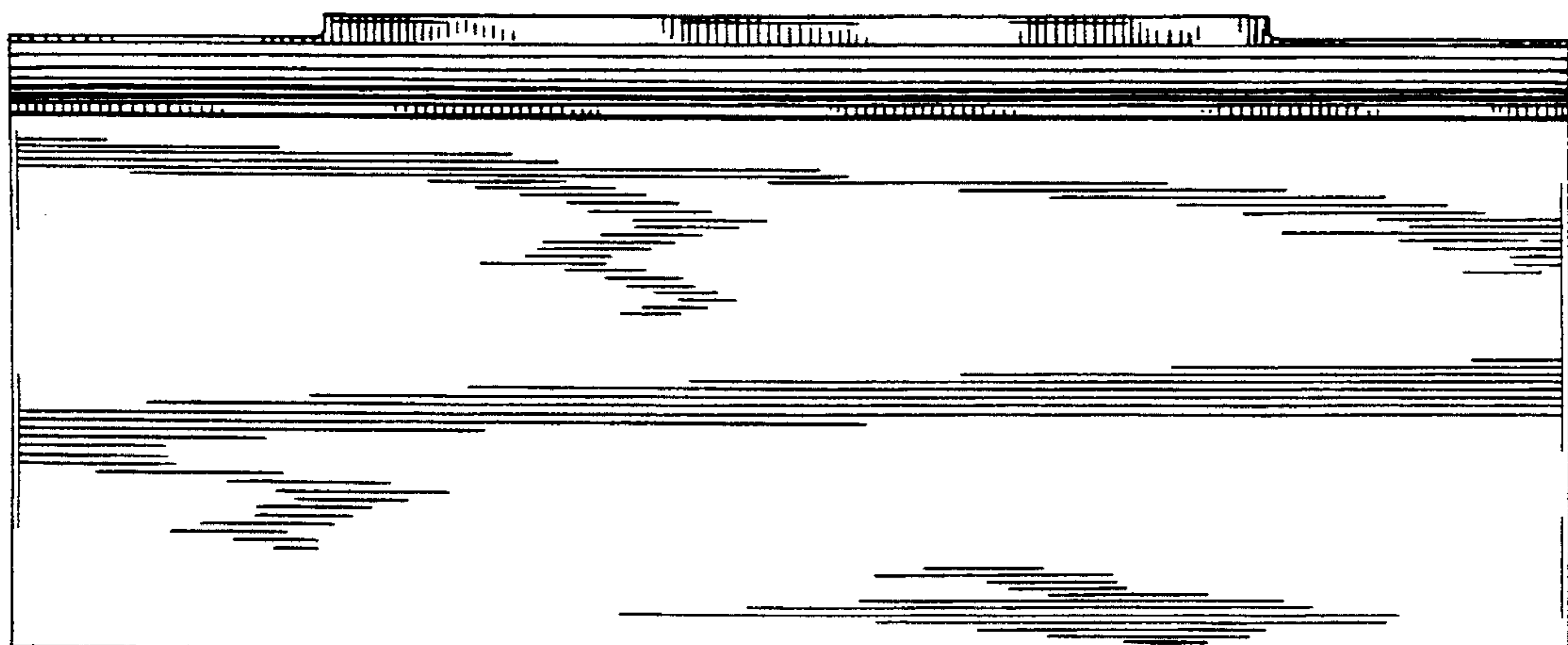


FIG.14.

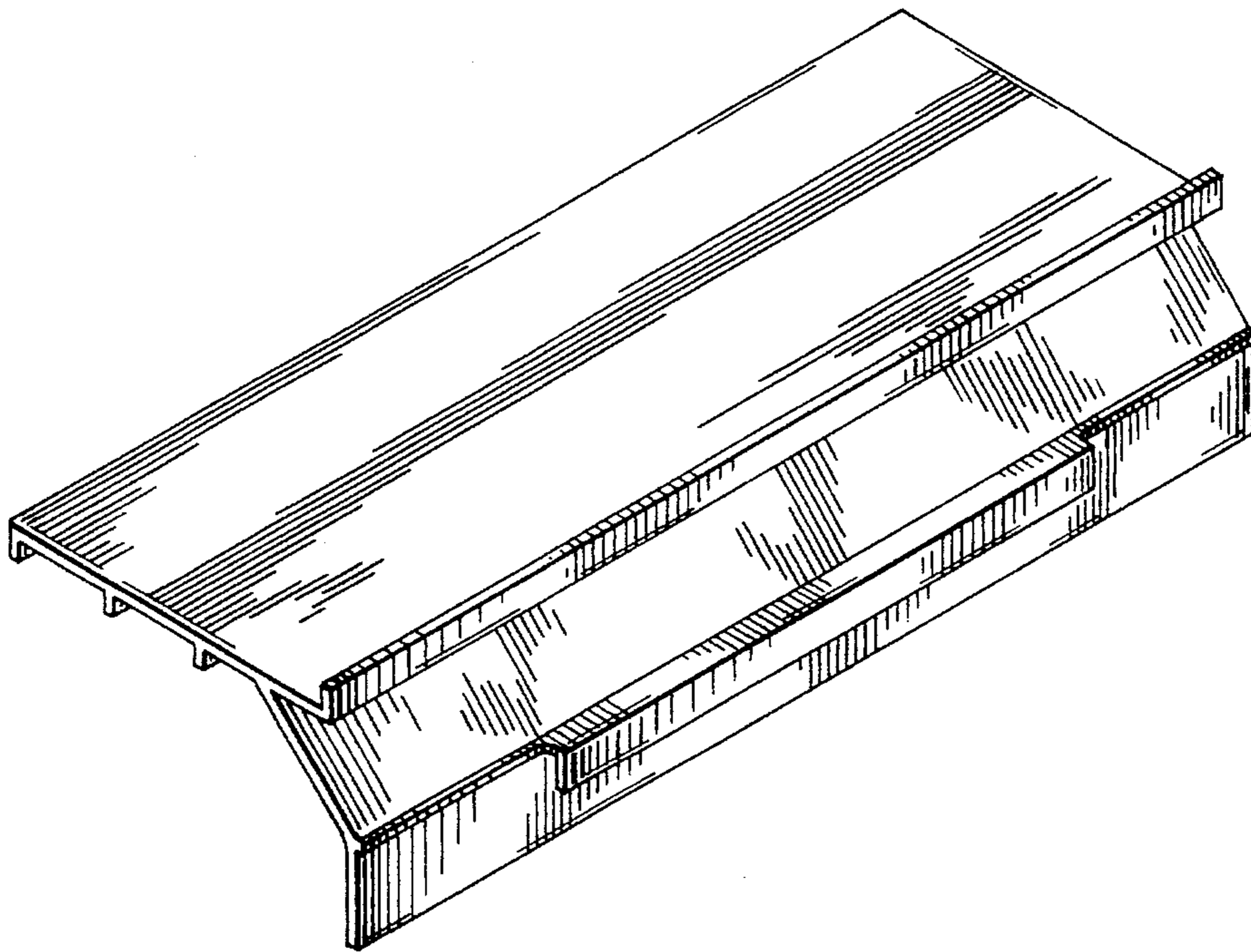


FIG. 13.

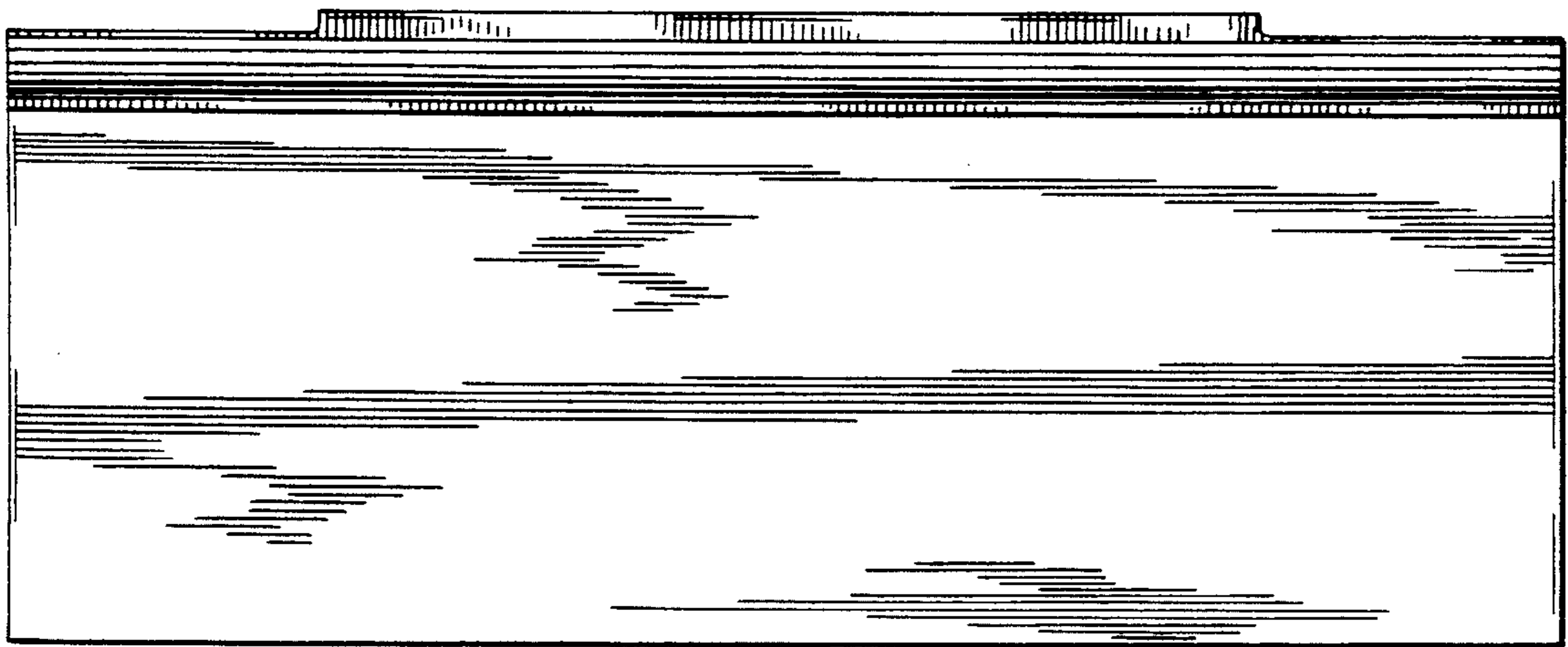


FIG. 14.

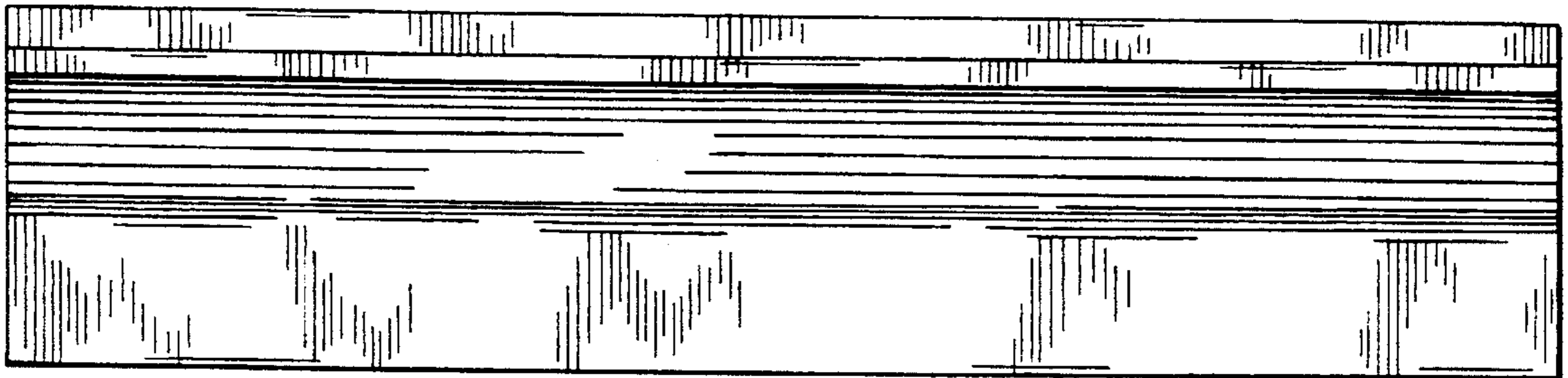


FIG. 15.

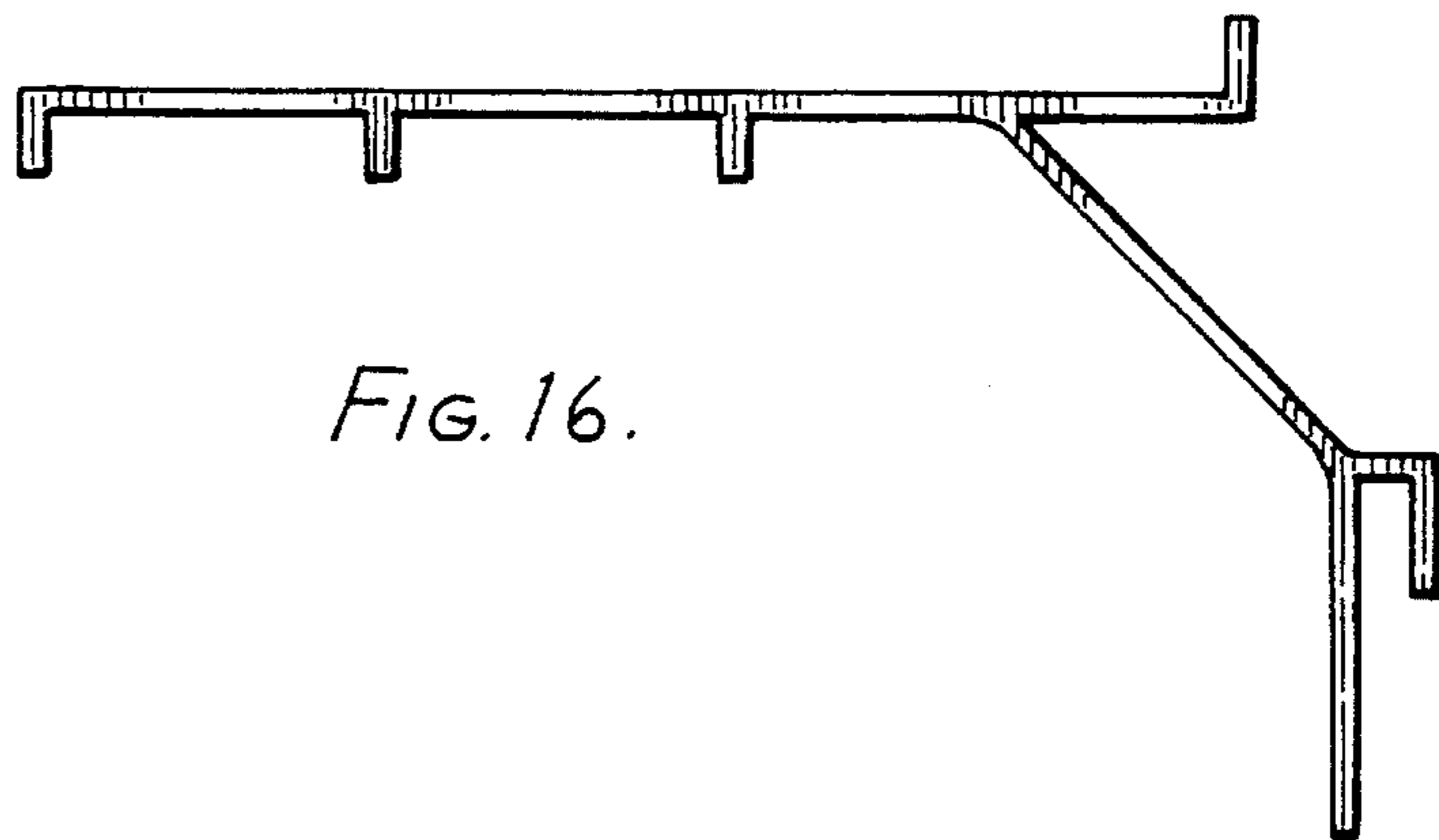


FIG. 16.

UNITED STATES PATENT AND TRADEMARK OFFICE
CERTIFICATE OF CORRECTION

PATENT NO. : Des. 370,595
DATED : June 11, 1996
INVENTOR(S) : Walter Koziol

It is certified that error appears in the above-identified patent and that said Letters Patent is hereby corrected as shown below:

column 2, last line after "1 claim," "7 Drawing Sheets" should be --6 Drawing Sheets--.

Sheet 6 of 7 of the Drawing Sheets should be cancelled.

Signed and Sealed this
Twenty-second Day of October, 1996

Attest:



BRUCE LEHMAN

Attesting Officer

Commissioner of Patents and Trademarks