



US00D370594S

United States Patent [19]

[11] Patent Number: **Des. 370,594**

Ferlin

[45] Date of Patent: ****Jun. 11, 1996**

[54] **IGNITOR DISPOSED WITHIN AN HARBOR FORMED BY A SEALED GAS BURNER**

5,266,026 11/1993 Riehl 126/39 E
5,364,264 11/1994 Kwiatek 126/39 E

[75] Inventor: **William J. Ferlin**, Plymouth, Mich.

Primary Examiner—Ruth McInroy
Attorney, Agent, or Firm—Harness, Dickey & Pierce

[73] Assignee: **Lincoln Brass Works, Inc.**, Detroit, Mich.

[57] **CLAIM**

[**] Term: **14 Years**

The ornamental design for a ignitor disposed within an harbor formed by a sealed gas burner, as shown and described.

[21] Appl. No.: **19,196**

DESCRIPTION

[22] Filed: **Feb. 25, 1994**

[52] U.S. Cl. **D7/407**

FIG. 1 is a perspective view of an ignitor disposed within a harbor formed by a sealed gas burner showing my new design;

[58] Field of Search D7/402, 407; 126/39 E, 126/39 H, 39 R, 39 M, 40; 431/266

FIG. 2 is a front elevational view thereof;

FIG. 3 is a top plan view thereof; and,

FIG. 4 is a rear elevational view thereof.

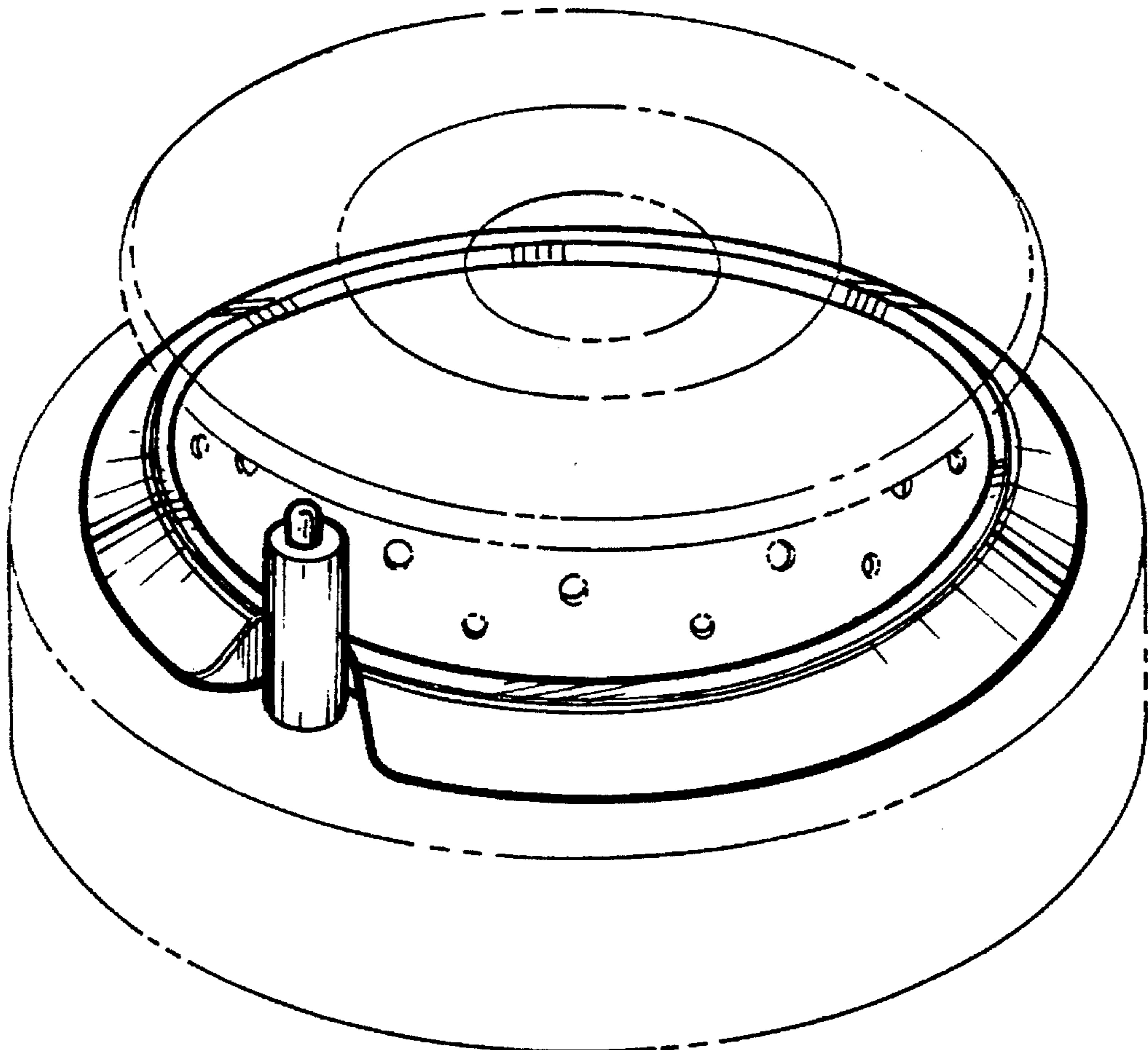
[56] **References Cited**

U.S. PATENT DOCUMENTS

D. 188,153	6/1960	Imhoff	D7/407
D. 191,085	8/1961	Kindl et al.	D7/407
D. 228,766	10/1973	Stohrer	D7/407
D. 236,418	8/1975	Duperow et al.	D7/407
4,846,671	7/1989	Kwiatek	D7/407
5,139,417	8/1992	Ghassemzadeh	126/39 H

The portions shown in broken lines in FIGS. 1 through 4 are shown for illustrative purposes only and form no part of the claimed design. The undisclosed bottom is plain and unornamented.

1 Claim, 2 Drawing Sheets



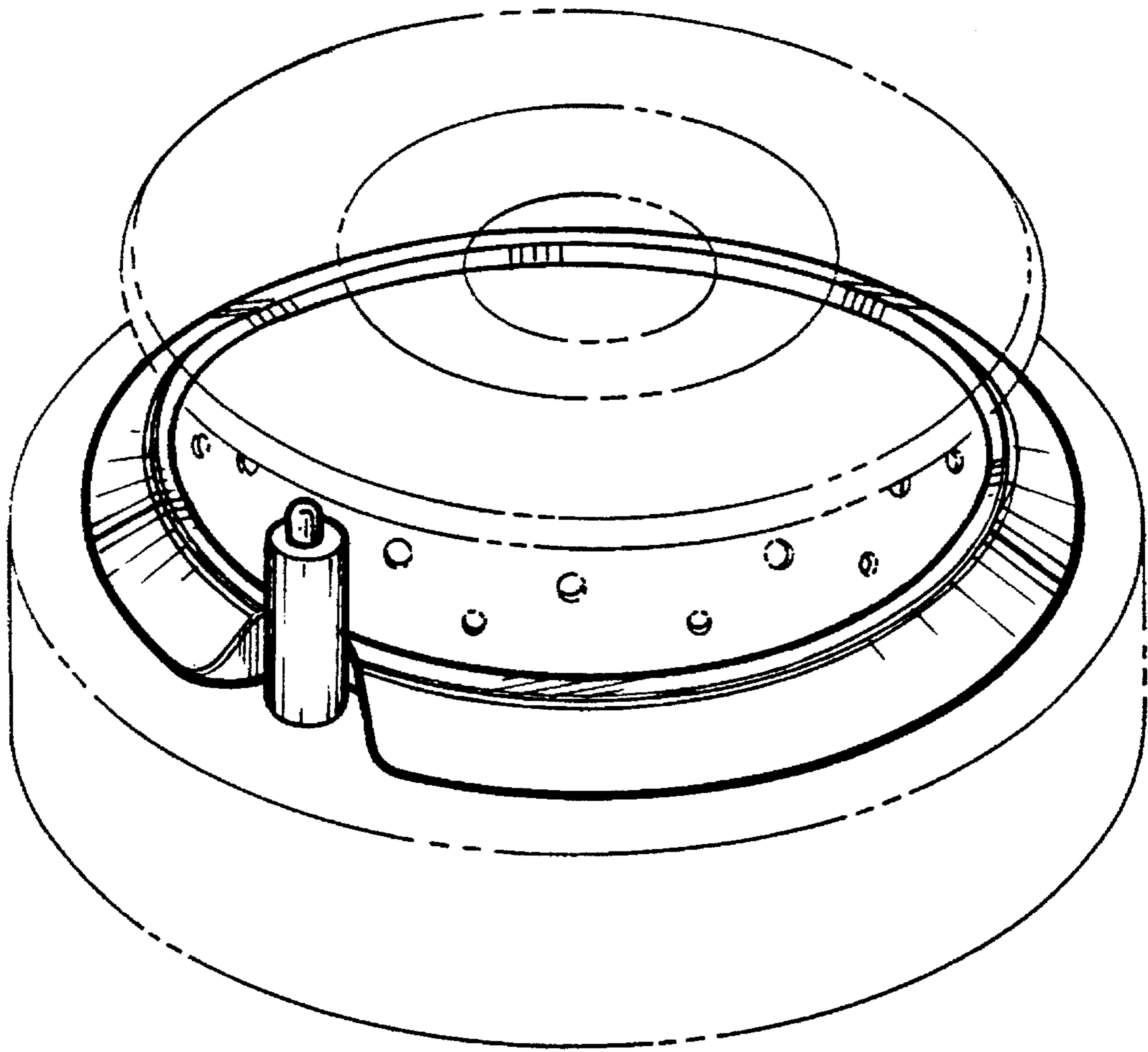


Fig-1

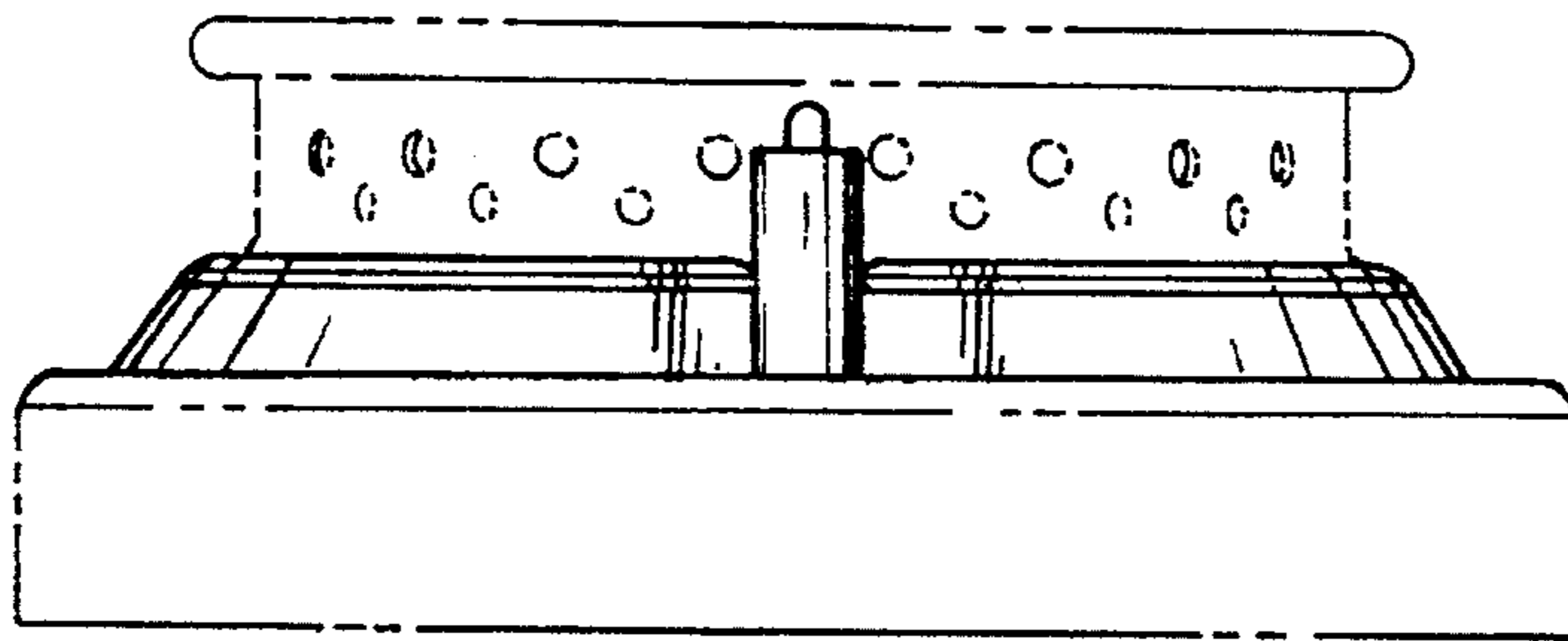


Fig-2

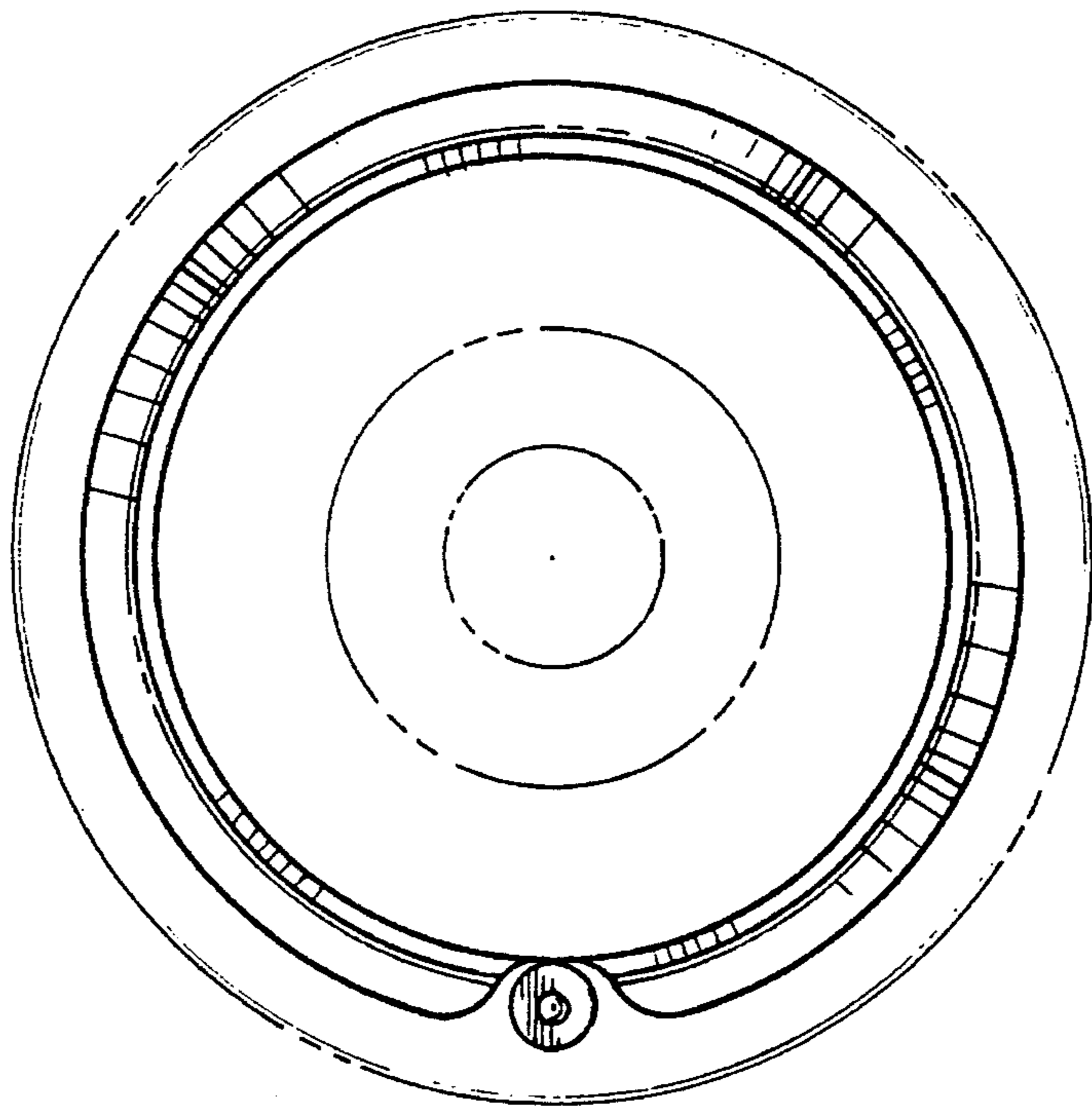


Fig-3

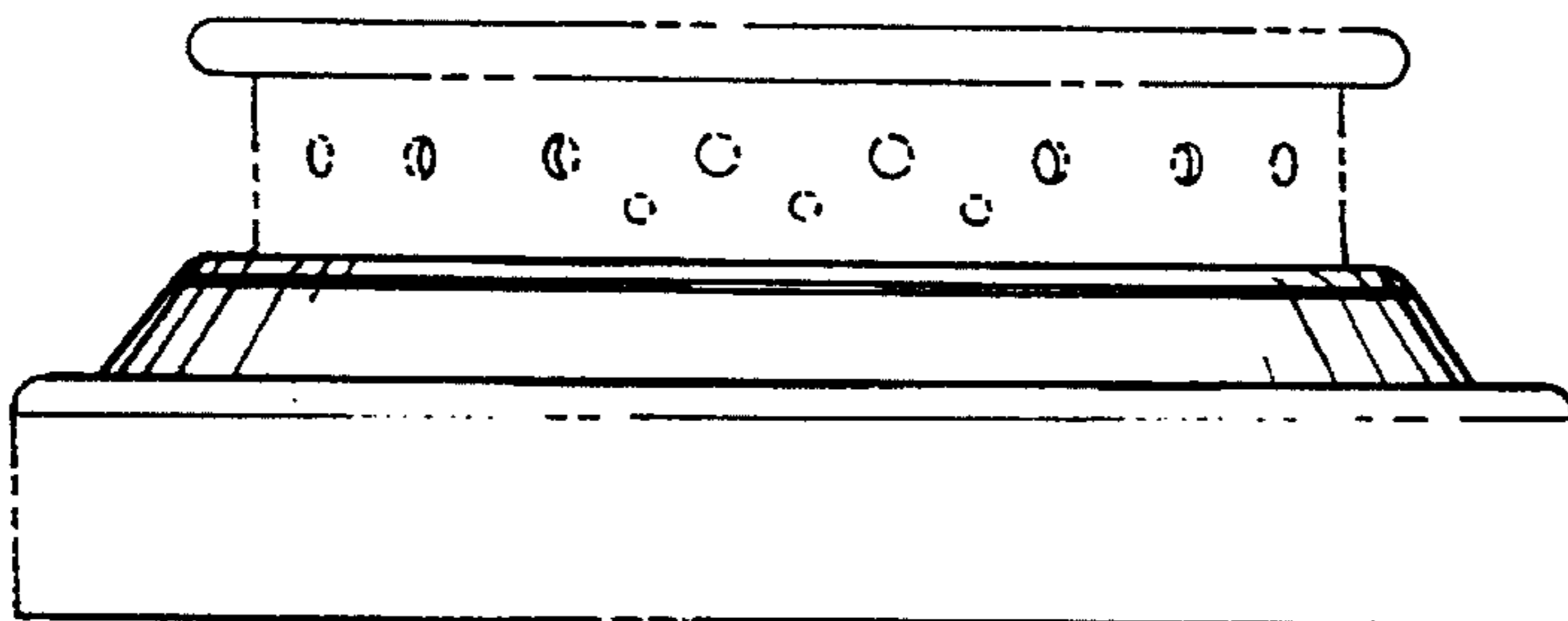


Fig-4

UNITED STATES PATENT AND TRADEMARK OFFICE
CERTIFICATE OF CORRECTION

PATENT NO. : Des. 370,594
DATED : June 11, 1996
INVENTOR(S) : William J. Ferlin

It is certified that error appears in the above-identified patent and that said Letters Patent is hereby corrected as shown below:

TITLE PAGE

In the Claim, line 1, "a" (first occurrence) should be -- an --.

In the Claim, line 1, "an" (second occurrence) should be -- a --.

In the title, after "Within", "an" should be -- a --.

Signed and Sealed this
First Day of October, 1996



BRUCE LEHMAN

Commissioner of Patents and Trademarks

Attest:

Attesting Officer