



US00D370590S

**United States Patent** [19]  
**Huang**

[11] **Patent Number: Des. 370,590**  
[45] **Date of Patent: \*\*Jun. 11, 1996**

[54] **VACUUM FLASK**  
[76] Inventor: **Frank T.-H. Huang**, Suite 804, 8 Fl.,  
No. 128, Sec. 3, Ming-Sheng E. Rd.,  
Taipei, Taiwan  
[\*\*] Term: **14 Years**  
[21] Appl. No.: **39,739**  
[22] Filed: **Jun. 5, 1995**  
[52] **U.S. Cl.** ..... **D7/319; D7/318; D7/317**  
[58] **Field of Search** ..... **D7/598, 300, 310,**  
**D7/312, 314, 316, 317, 318, 319, 320,**  
**321, 322, 622, 604, 622; 222/465.1, 475.1**

D. 285,039 8/1986 Zimmerman ..... D7/317  
D. 293,538 1/1988 Zimmerman ..... D7/317  
D. 297,900 10/1988 Huang ..... D7/317  
D. 308,458 6/1990 Stützer ..... D7/317  
D. 346,300 4/1994 Morgan ..... D7/316 X

*Primary Examiner*—M. N. Pandozzi  
*Attorney, Agent, or Firm*—Bacon & Thomas

[57] **CLAIM**

The ornamental design for vacuum flask, as shown and described.

**DESCRIPTION**

FIG. 1 is a perspective view of vacuum flask showing my new design thereof;  
FIG. 2 is a front elevational view and the rear elevational view being a mirror image thereof;  
FIG. 3 is a left side elevational view thereof;  
FIG. 4 is a right side elevational view thereof;  
FIG. 5 is a top plan view thereof; and,  
FIG. 6 is a bottom plan view thereof.

[56] **References Cited**  
**U.S. PATENT DOCUMENTS**  
D. 210,844 4/1968 Anderson ..... D7/317  
D. 276,584 12/1984 Zimmerman ..... D7/319  
D. 281,386 11/1985 Zimmerman ..... D7/317  
D. 281,479 11/1985 Zimmerman ..... D7/317  
D. 281,569 12/1985 Zimmerman ..... D7/317

**1 Claim, 5 Drawing Sheets**

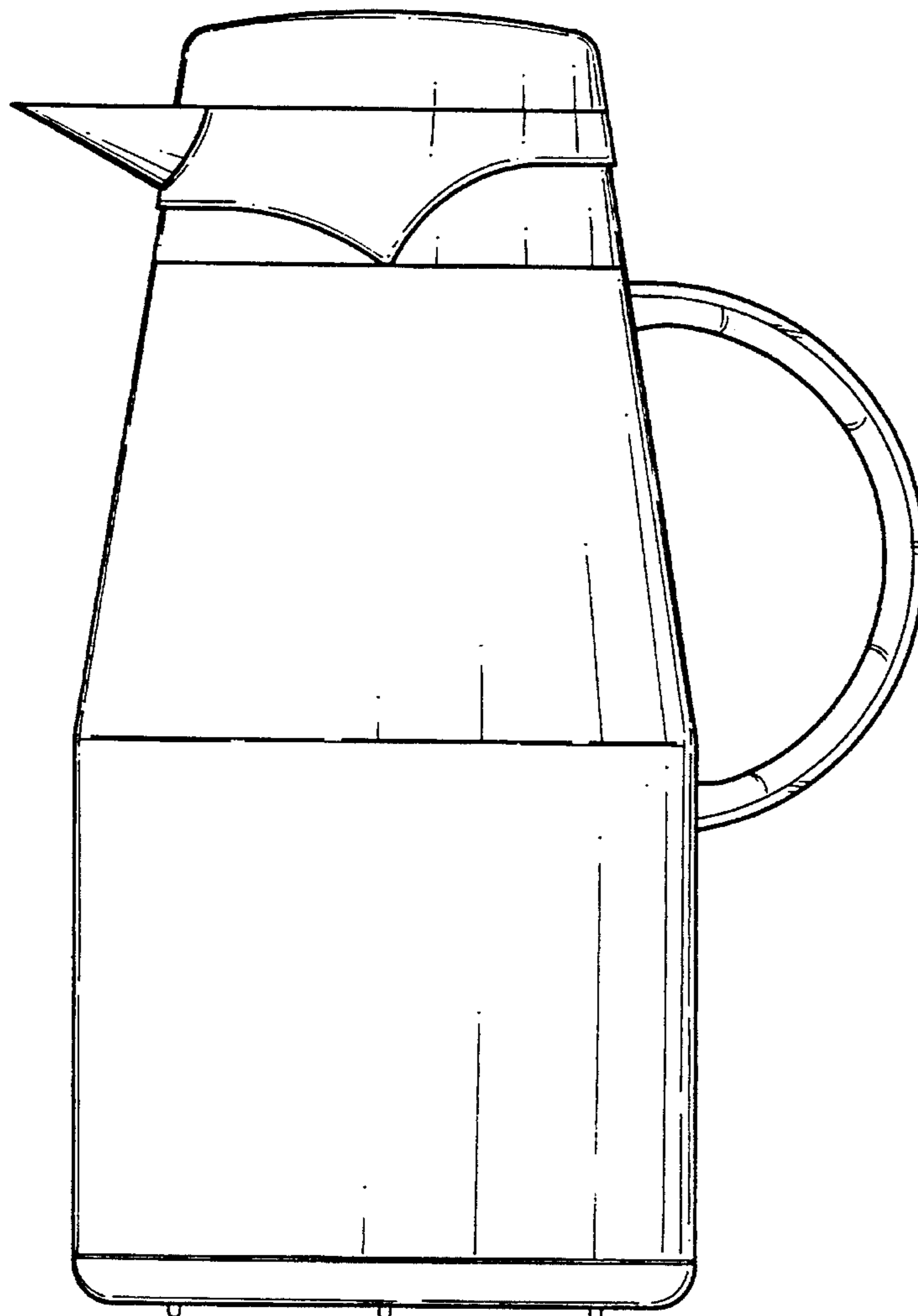




Fig. 1

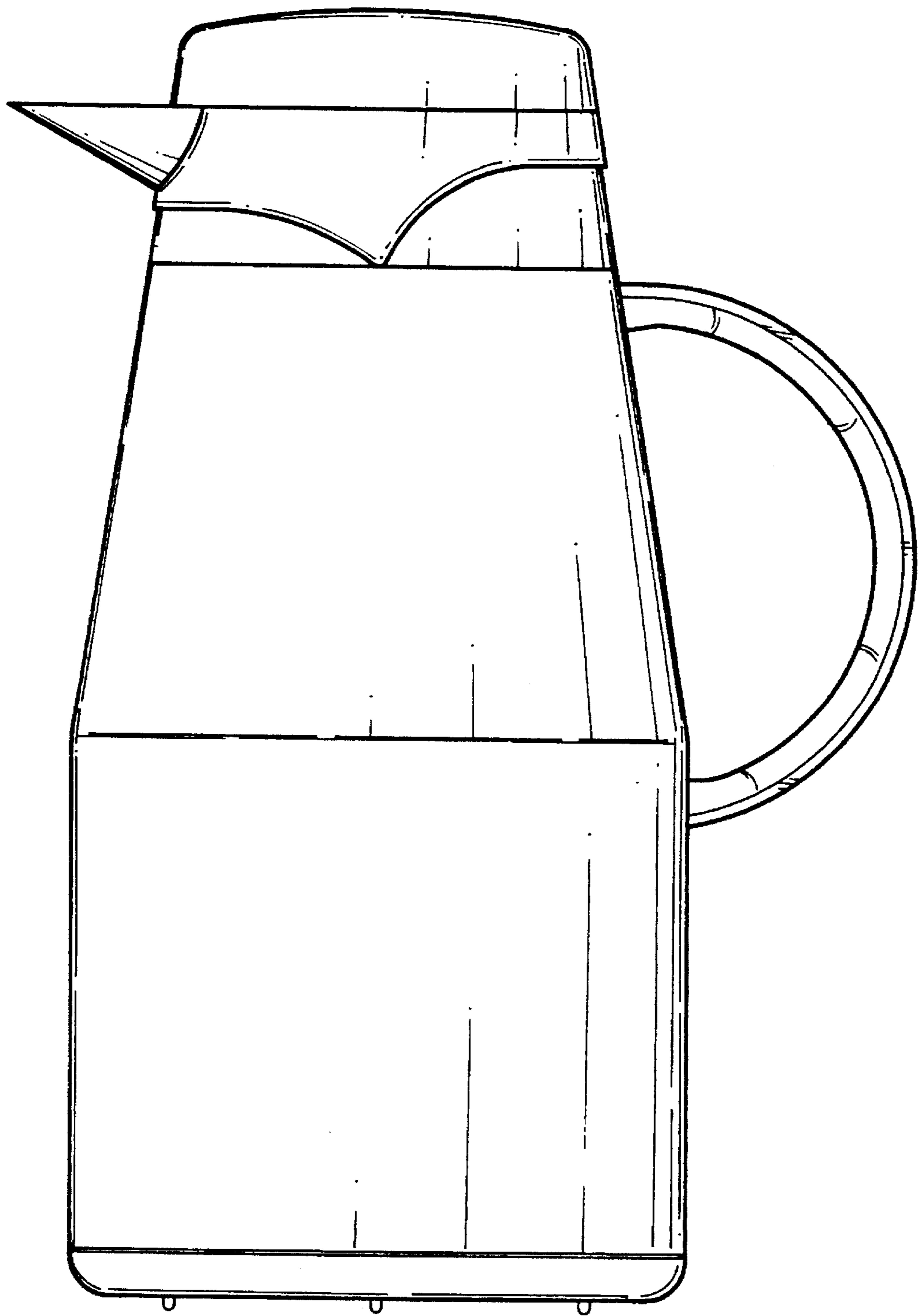


Fig. 2

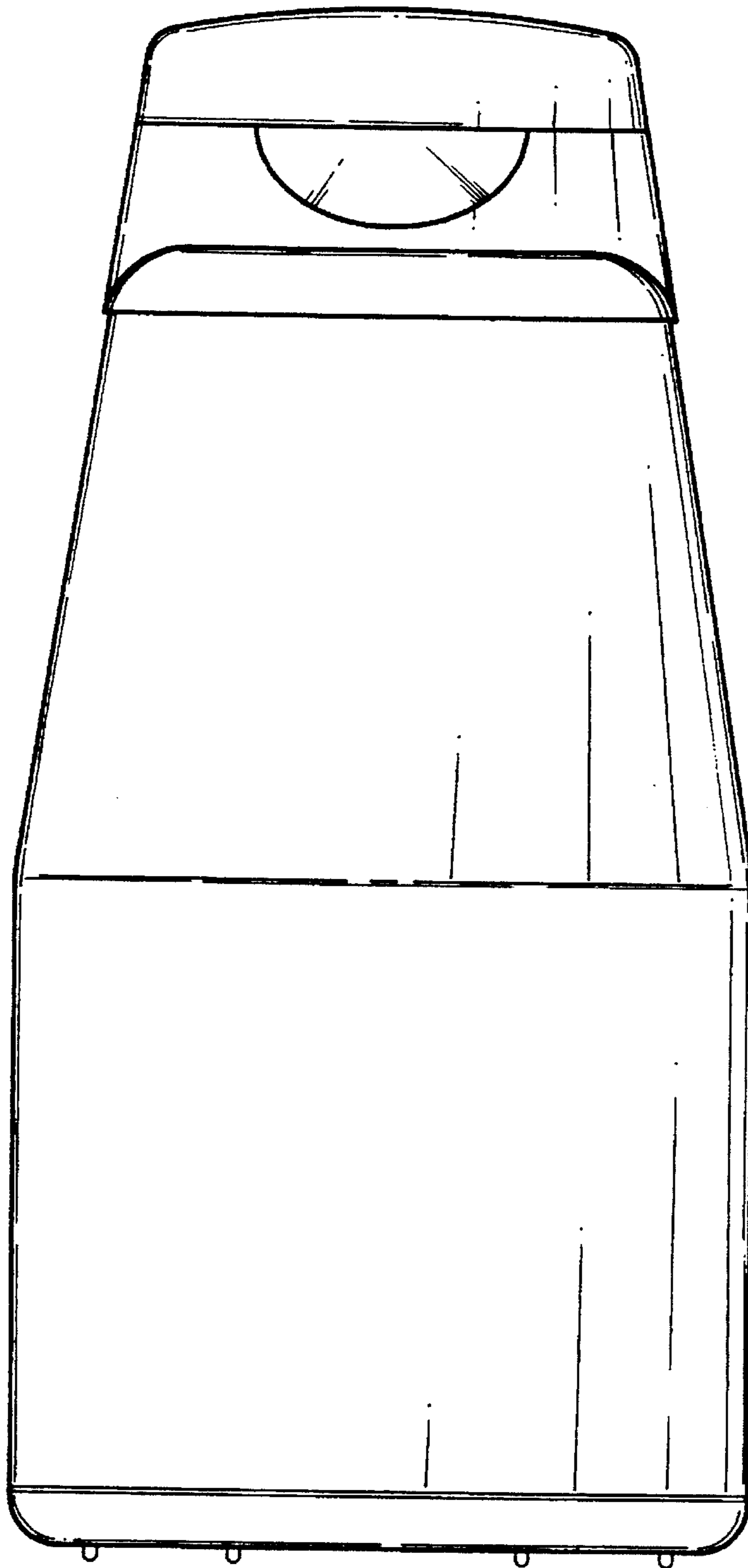


Fig. 3

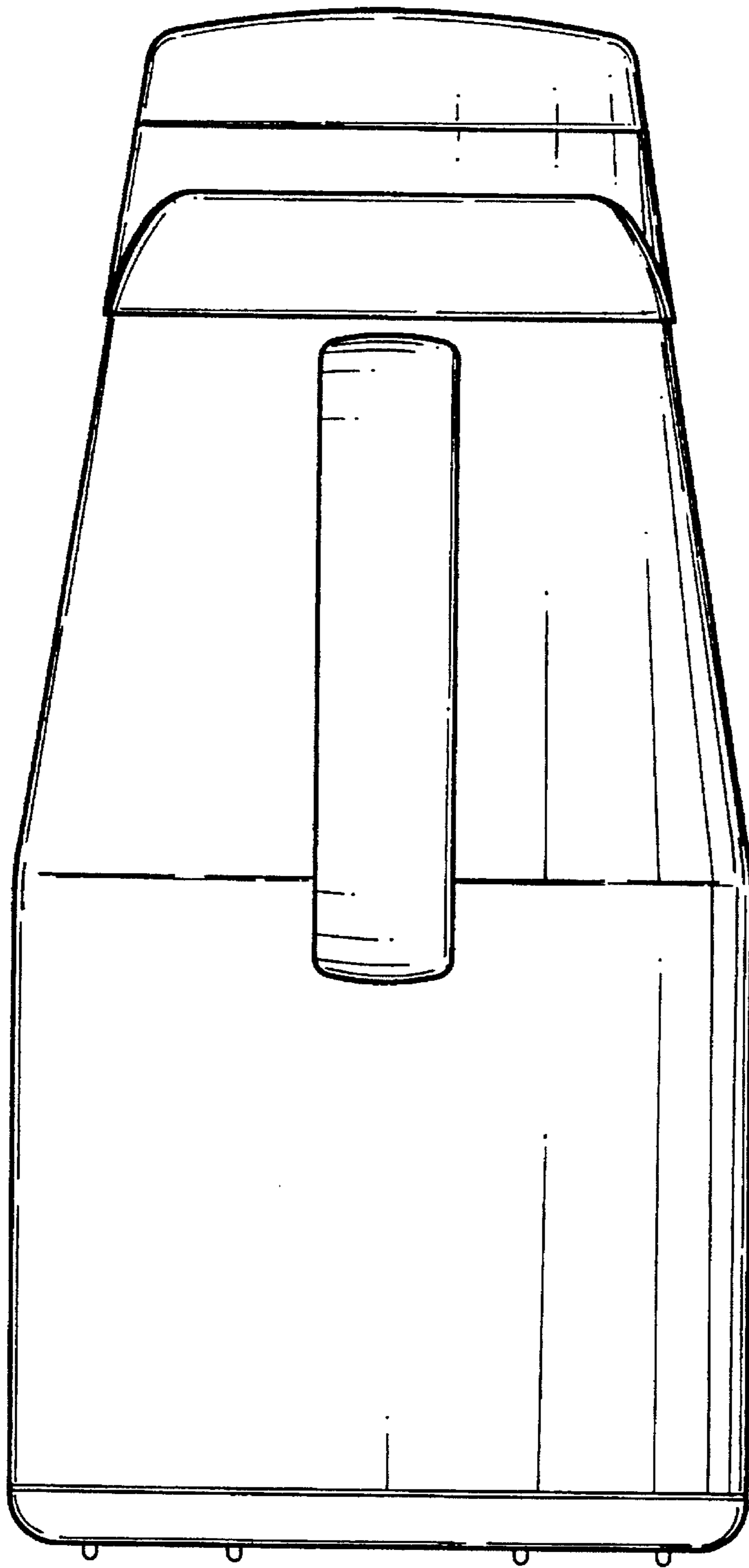


Fig. 4

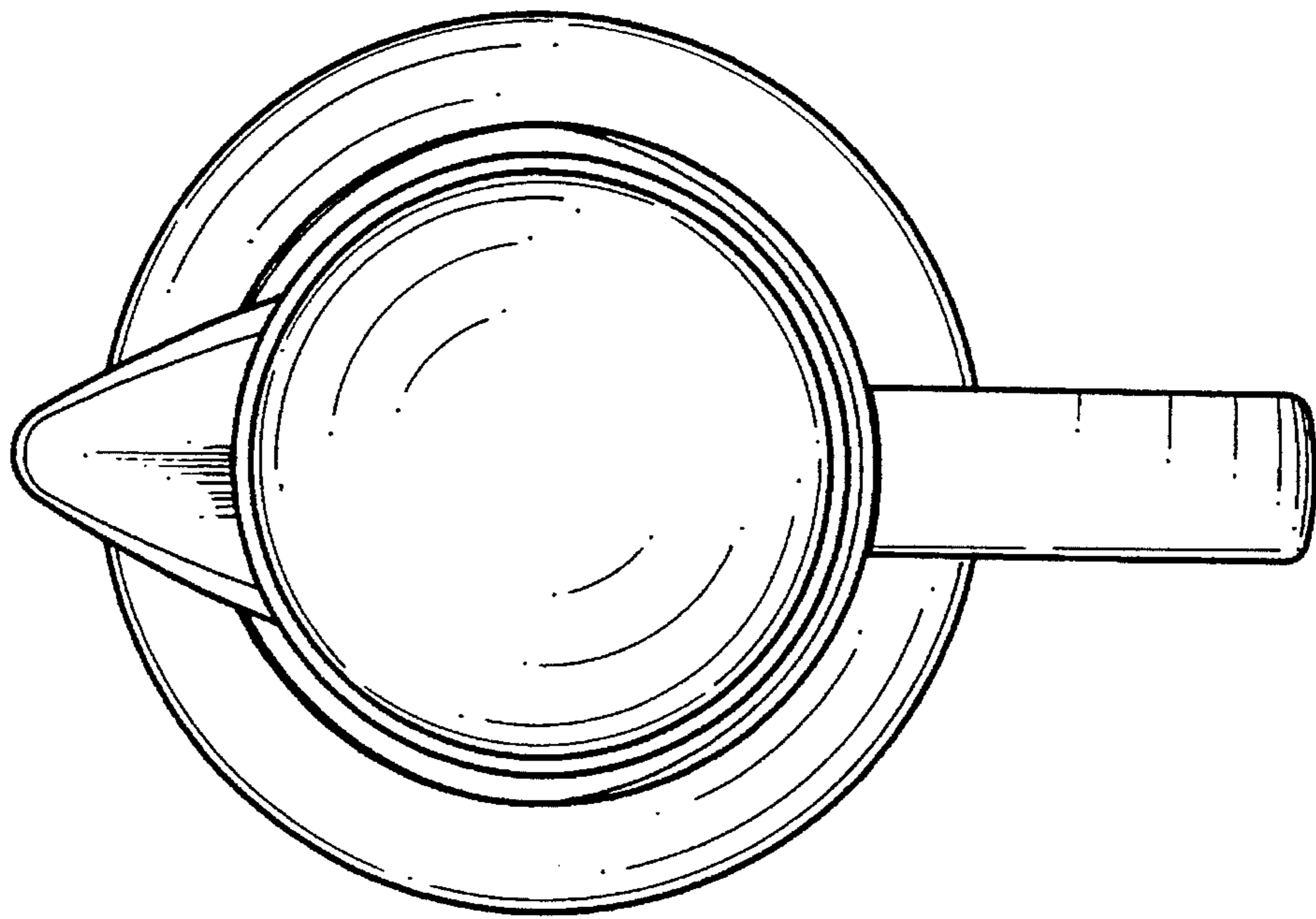


Fig. 5

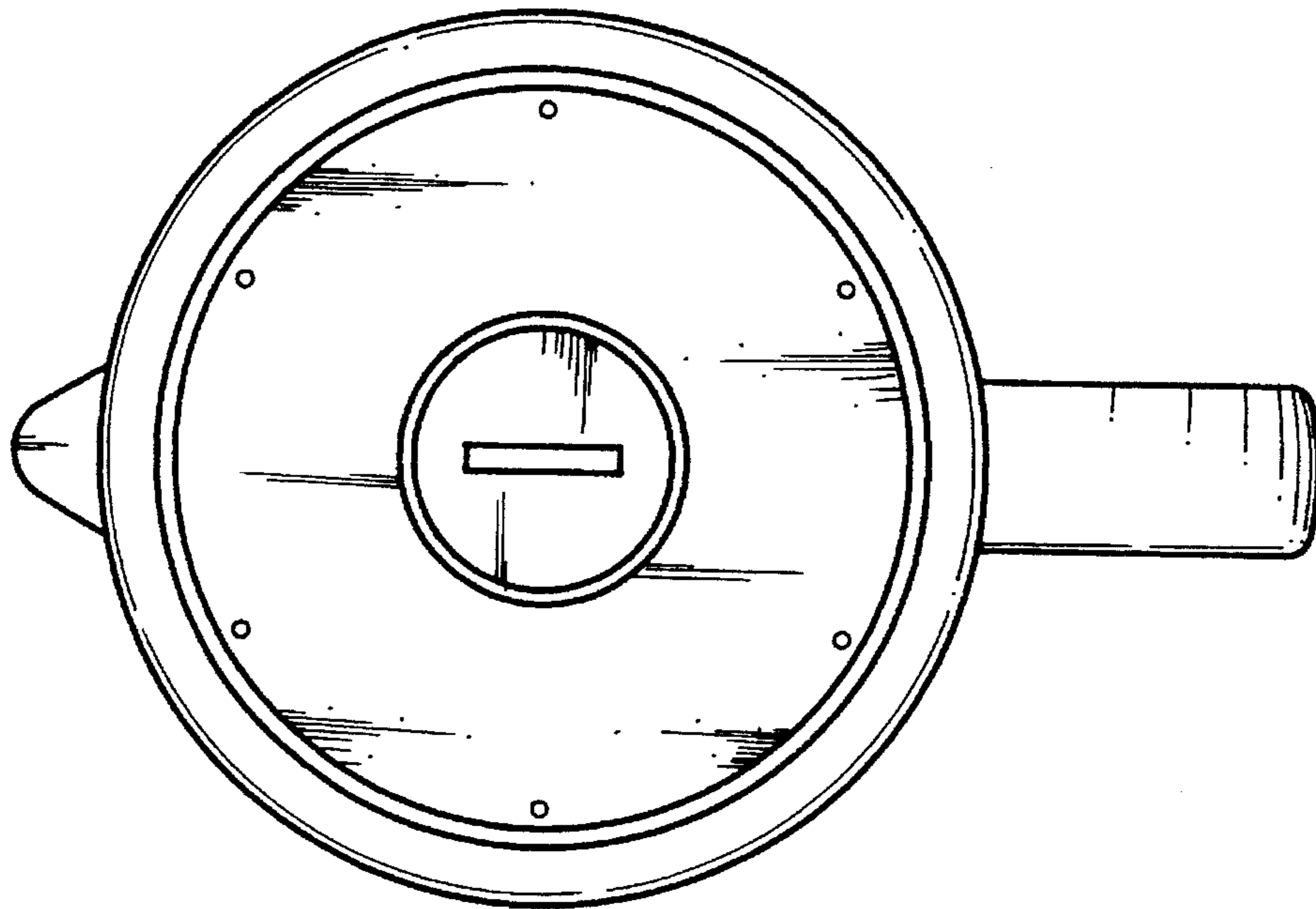


Fig. 6