



US00D370587S

United States Patent [19] Lynch

[11] Patent Number: **Des. 370,587**

[45] Date of Patent: ****Jun. 11, 1996**

[54] SPOON-STRAW

3,461,554 8/1969 Aykanian D7/300.2 X

[76] Inventor: **James B. Lynch**, 2600 6th St. Apt. B-3,
Bedford, Ind. 47421

FOREIGN PATENT DOCUMENTS

1175905 11/1958 France 30/324

[**] Term: **14 Years**

Primary Examiner—Terry A. Wallace

[21] Appl. No.: **20,837**

[57] CLAIM

[22] Filed: **Apr. 4, 1994**

The ornamental design for a spoon-straw, as shown and described.

[52] U.S. Cl. **D7/300.2**

[58] Field of Search D7/300.2, 643,
D7/647, 653, 688, 691, 692; 30/324-328,
141; 239/16, 17, 24, 33; 215/1 A

DESCRIPTION

FIG. 1 is a front elevational view of the spoon-straw showing my new design;
FIG. 2 is a rear elevational view thereof;
FIG. 3 is a left side elevational view thereof;
FIG. 4 is a right side elevational view thereof;
FIG. 5 is a top plan view thereof; and,
FIG. 6 is a bottom plan view thereof.

[56] References Cited

U.S. PATENT DOCUMENTS

674,446 5/1901 Marx 239/33 X
1,803,006 4/1931 Davis D7/692 X
2,740,617 4/1956 Ball et al. D7/300.2 X
2,859,515 11/1958 Kinman 30/141

1 Claim, 3 Drawing Sheets

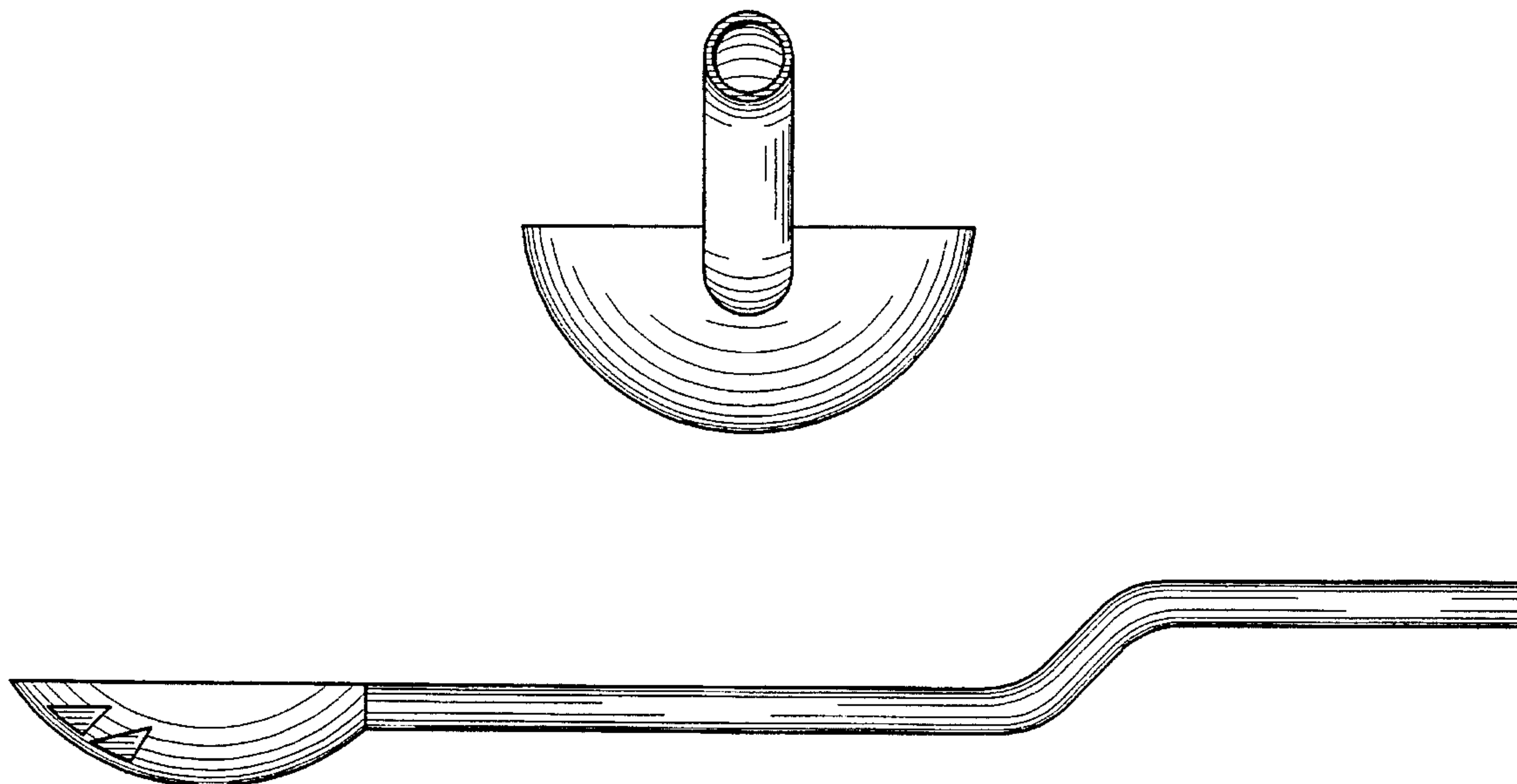


FIG. 1

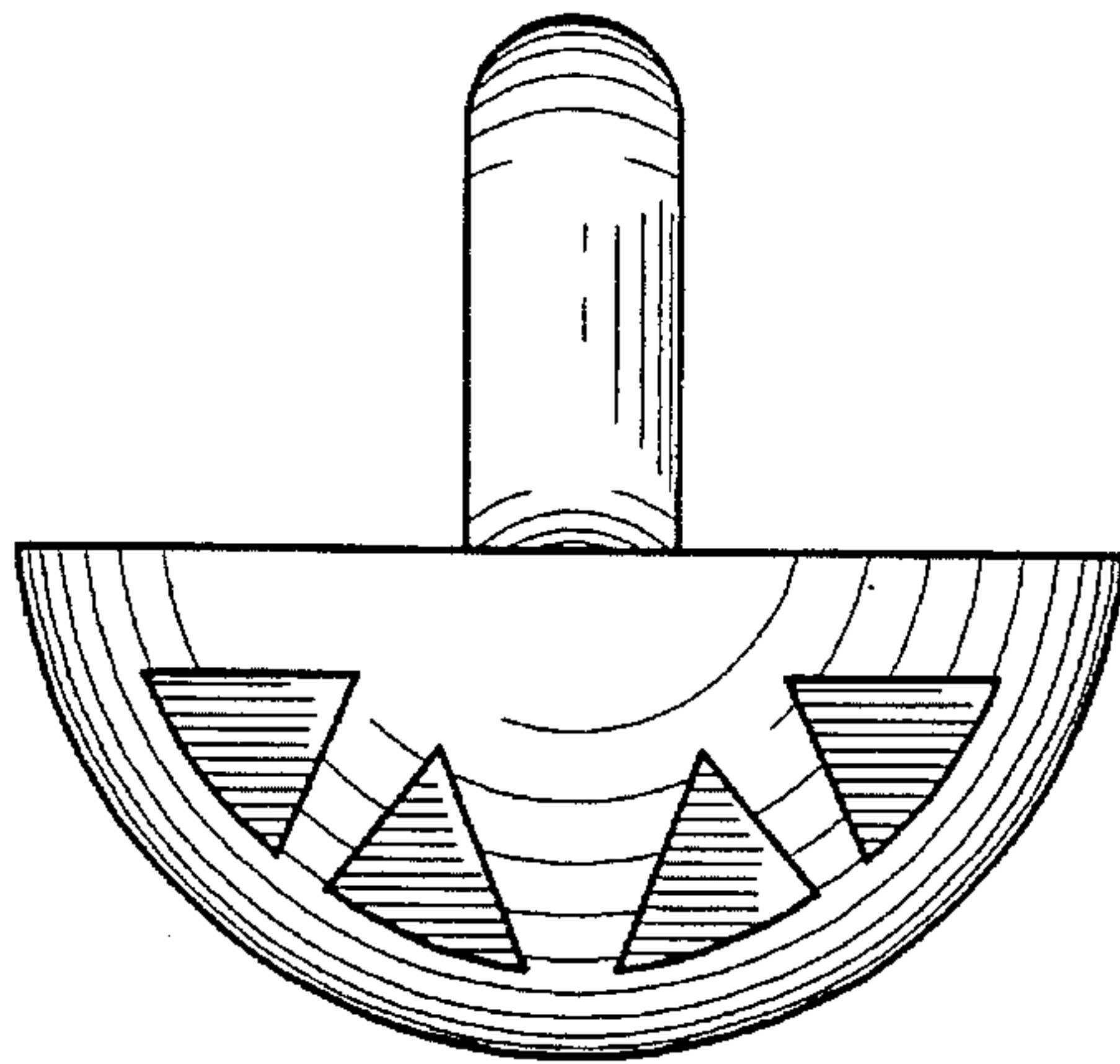


FIG. 2

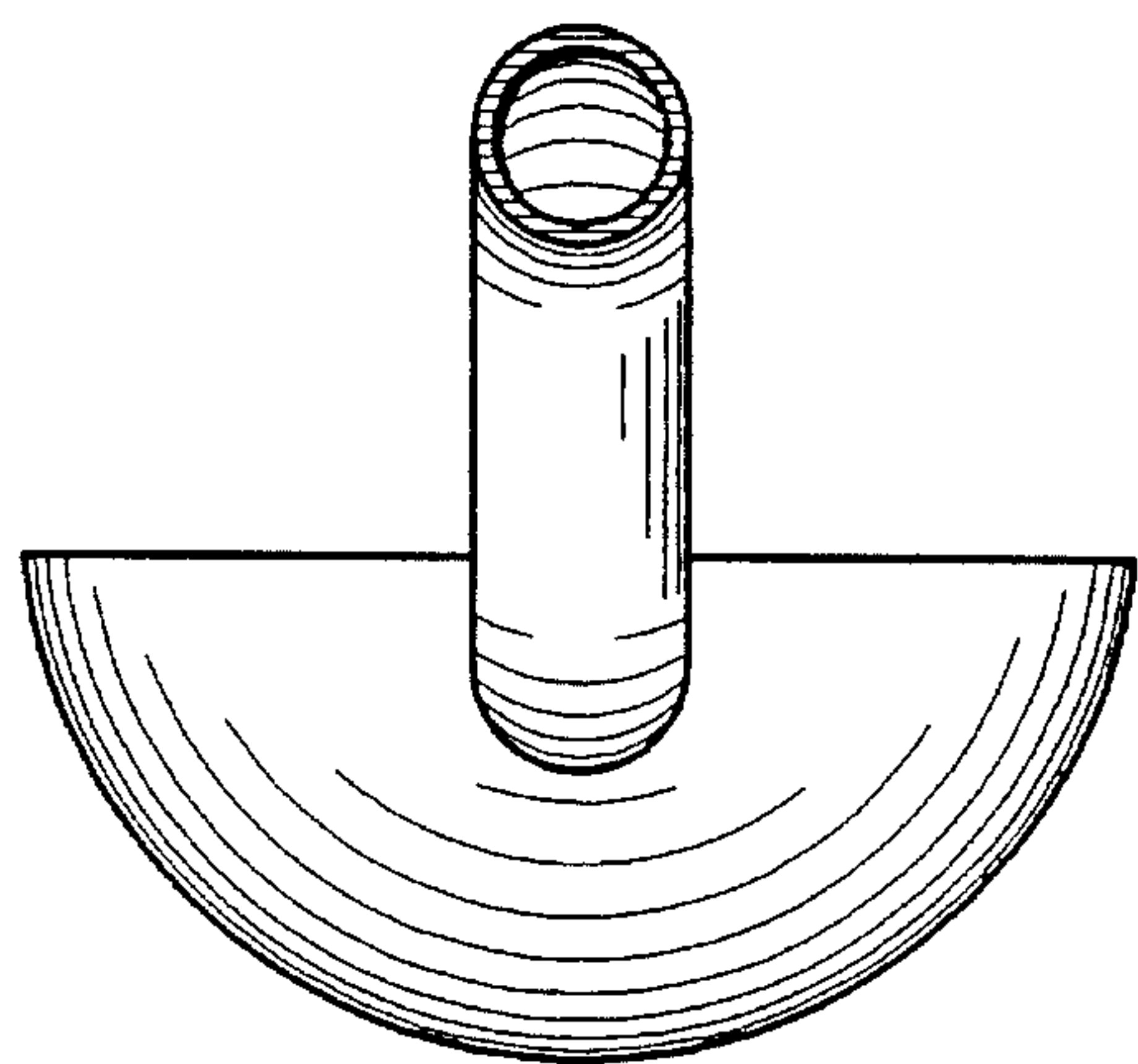


FIG. 3

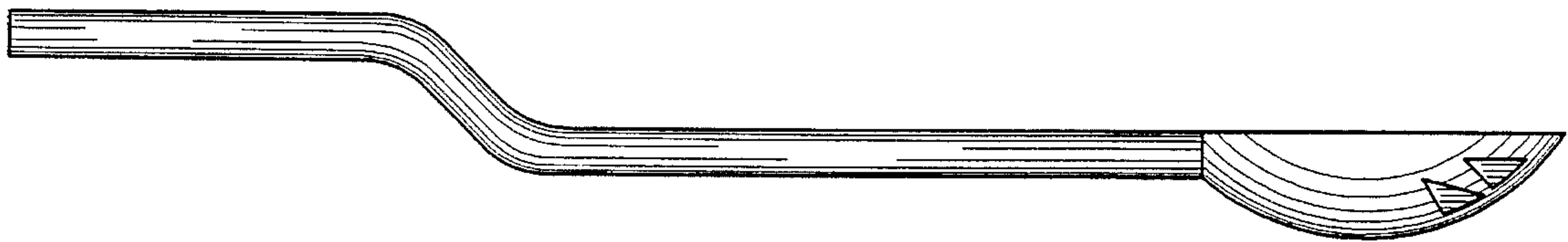


FIG. 4

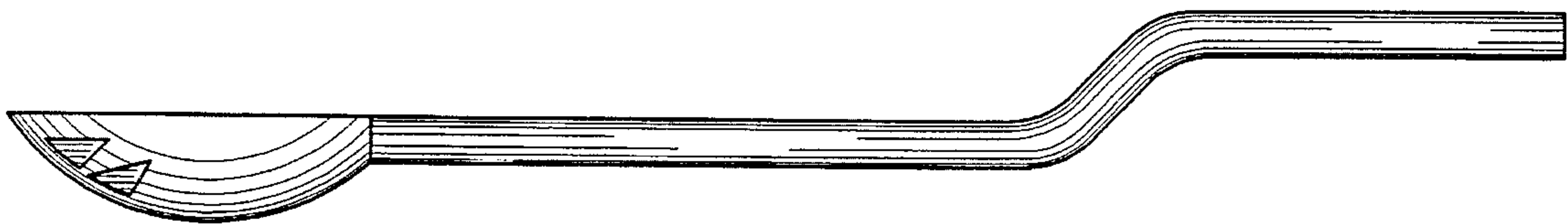


FIG. 5

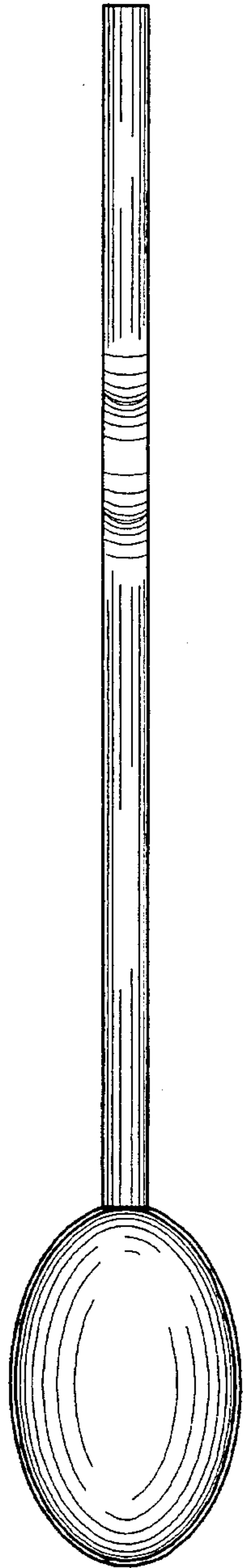


FIG. 6

