



US00D370581S

United States Patent [19]

[11] Patent Number: **Des. 370,581**

Loznikov

[45] Date of Patent: ****Jun. 11, 1996**

[54] TABLE BASE

[76] Inventor: **Mikhail Loznikov**, 2007 Balboa St.,
San Francisco, Calif. 94121

[**] Term: **14 Years**

[21] Appl. No.: **32,844**

[22] Filed: **Dec. 29, 1994**

[52] U.S. Cl. **D6/495**; D6/482; D6/469

[58] Field of Search D6/480-484, 495-499,
D6/451-453, 469; 103/150, 153, 156, 161;
248/188.7, 188.8

[56] **References Cited**

U.S. PATENT DOCUMENTS

D. 114,758	5/1939	Hartman	D6/480	X
D. 115,119	6/1939	Marano	D6/483	X
D. 138,821	9/1944	Larson	D6/484	
D. 333,395	2/1993	Loznikov	D6/495	
D. 337,677	7/1993	Loznikov	D6/495	

Primary Examiner—Janice E. Seeger

Attorney, Agent, or Firm—Phillips, Moore, Lempio & Finley

[57] **CLAIM**

The ornamental design for a table base, as shown and described.

DESCRIPTION

FIG. 1 is a perspective view of a table base showing my new design;

FIG. 2 is a top plan view thereof;

FIG. 3 is a front elevational view thereof, the rear view being a mirror image of the view shown;

FIG. 4 is a bottom plan view thereof;

FIG. 5 is a side elevational view thereof, the opposite side being a mirror image of the side shown;

FIG. 6 is a perspective view of an alternative embodiment of my new design;

FIG. 7 is a top plan view of the alternative embodiment;

FIG. 8 is a side elevational view thereof, the front, rear and opposite side elevational views being a mirror image of the side shown;

FIG. 9 is a bottom plan view thereof;

FIG. 10 is a perspective view of a second alternative embodiment of my new design;

FIG. 11 is a top plan view of the second alternative embodiment;

FIG. 12 is a front elevational view thereof, the rear view being a mirror image of the view shown;

FIG. 13 is a bottom plan view thereof;

FIG. 14 is a side elevational view thereof, the opposite side view being a mirror image of the view shown;

FIG. 15 is a perspective view of a third alternative embodiment of my new design;

FIG. 16 is a top plan view of the third alternative embodiment;

FIG. 17 is a rear elevational view thereof, the front view being identical to the view of FIG. 12;

FIG. 18 is a bottom plan view thereof;

FIG. 19 is a right side elevational view thereof, the left side view being a mirror image of the view shown;

FIG. 20 is a perspective view of a fourth alternative embodiment of my new design;

FIG. 21 is a top plan view of the fourth alternative embodiment;

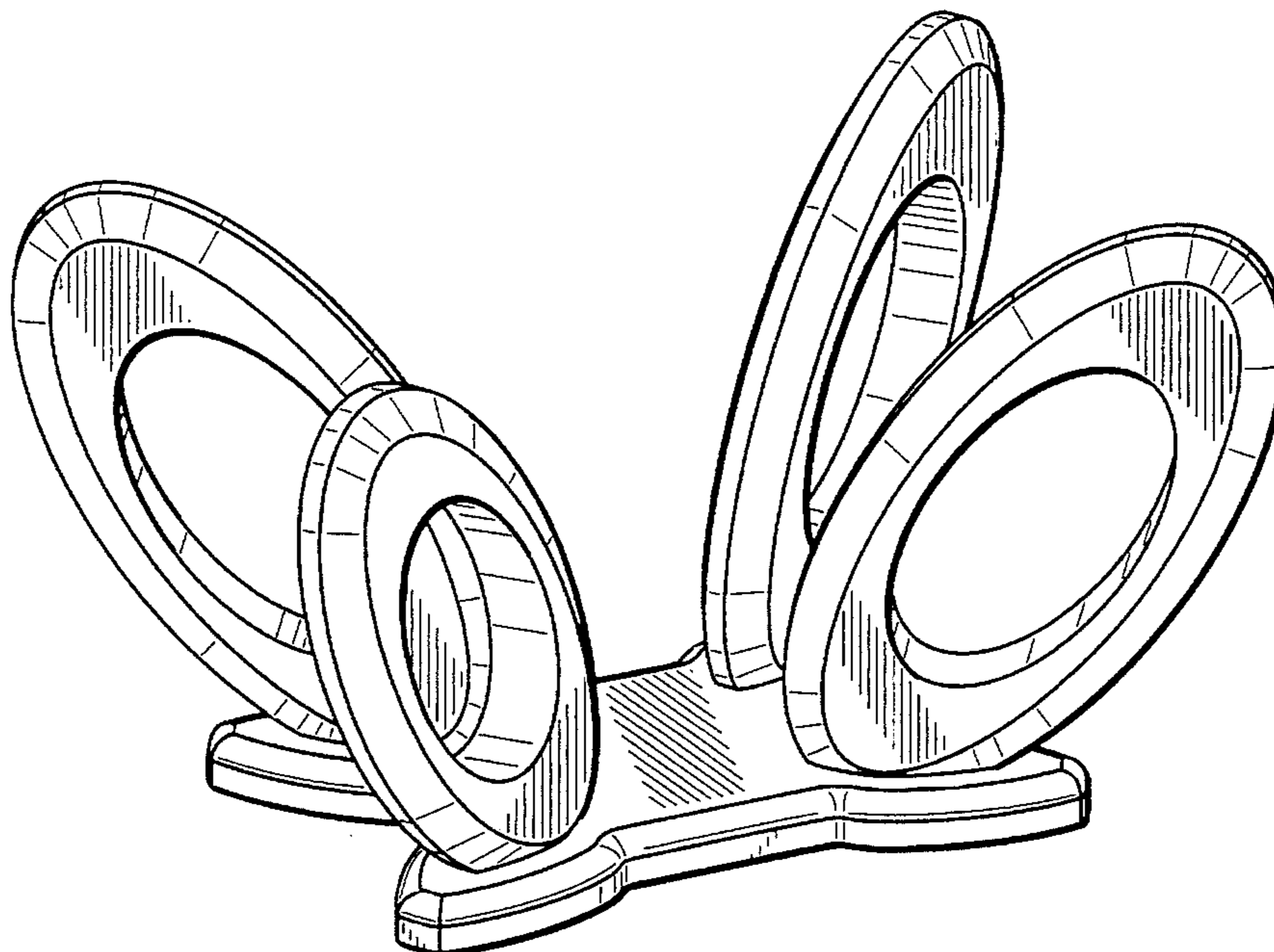
FIG. 22 is a front elevational view thereof;

FIG. 23 is a bottom plan view thereof;

FIG. 24 is a left side elevational view thereof, the right side view being a mirror image of the view shown; and,

FIG. 25 is a rear view thereof.

1 Claim, 15 Drawing Sheets



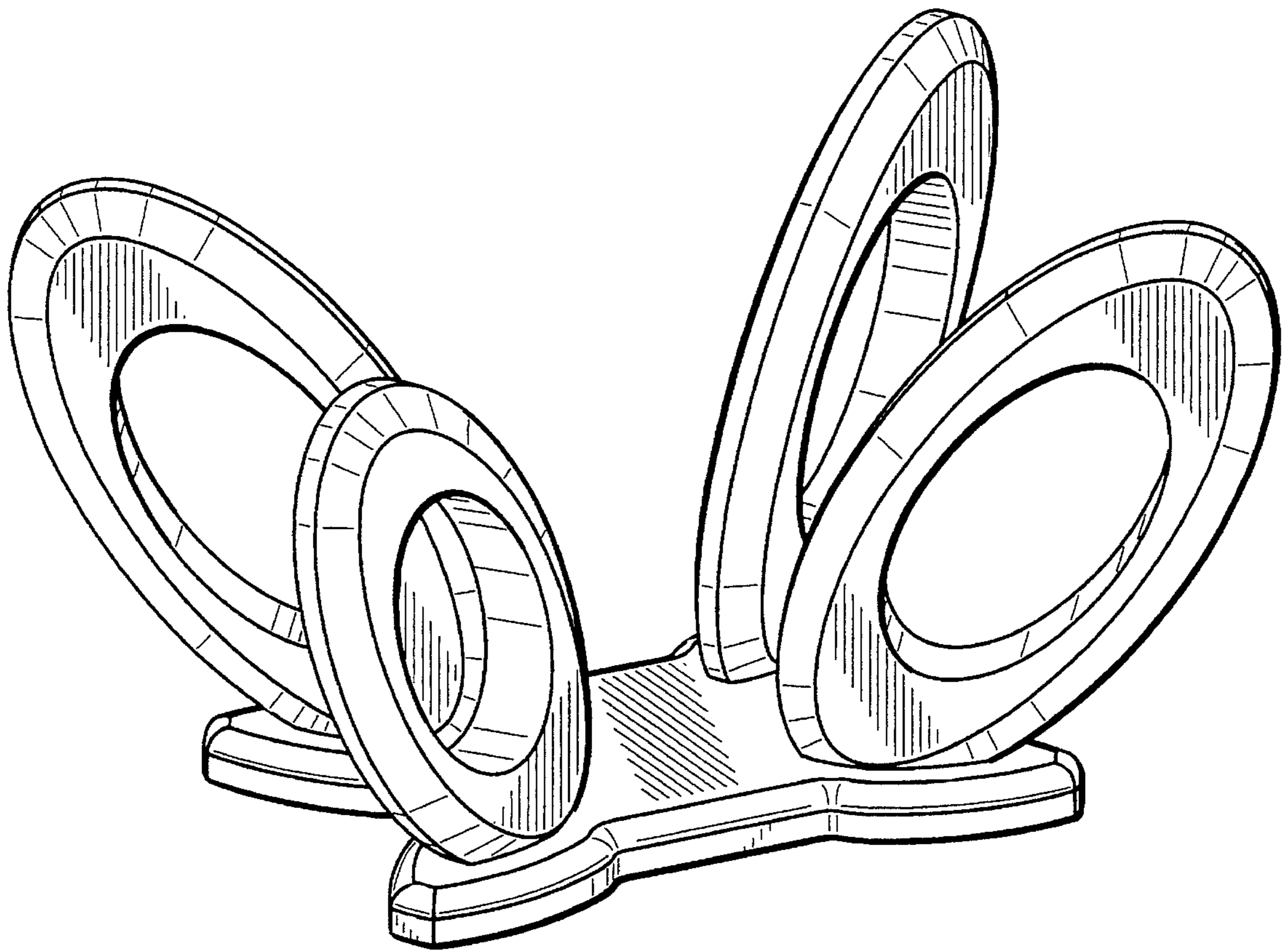


FIG. 1

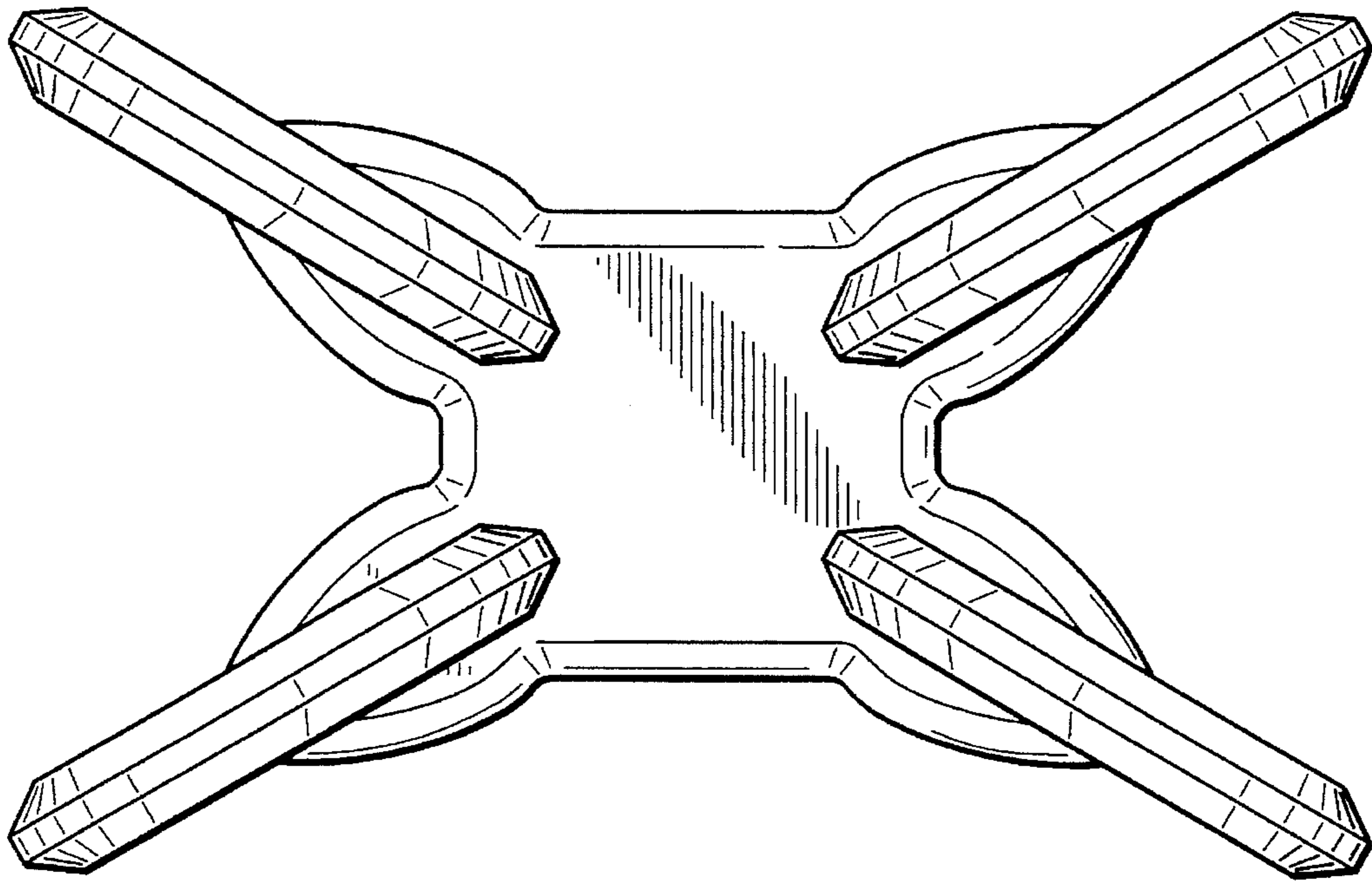


FIG. 2

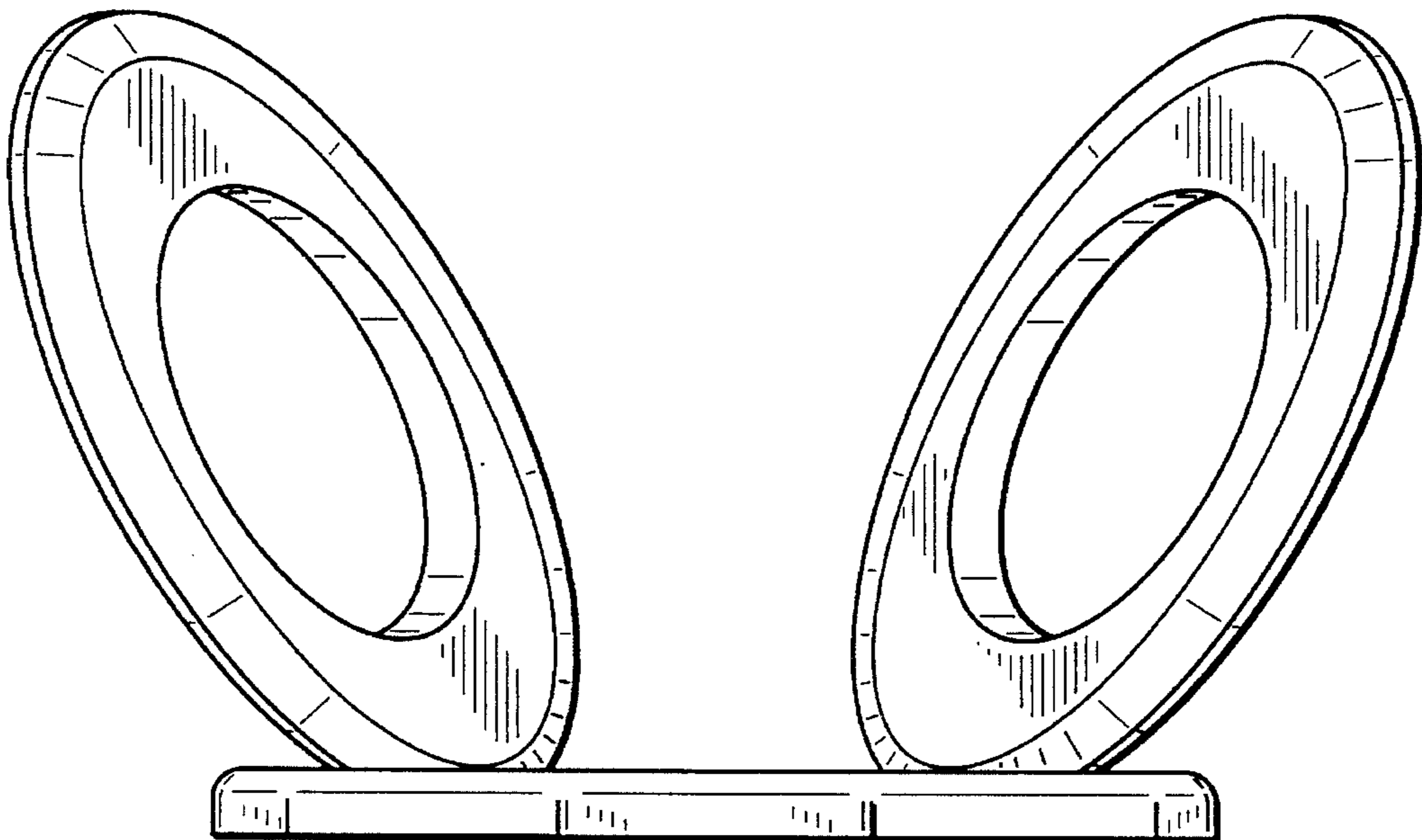


FIG. 3

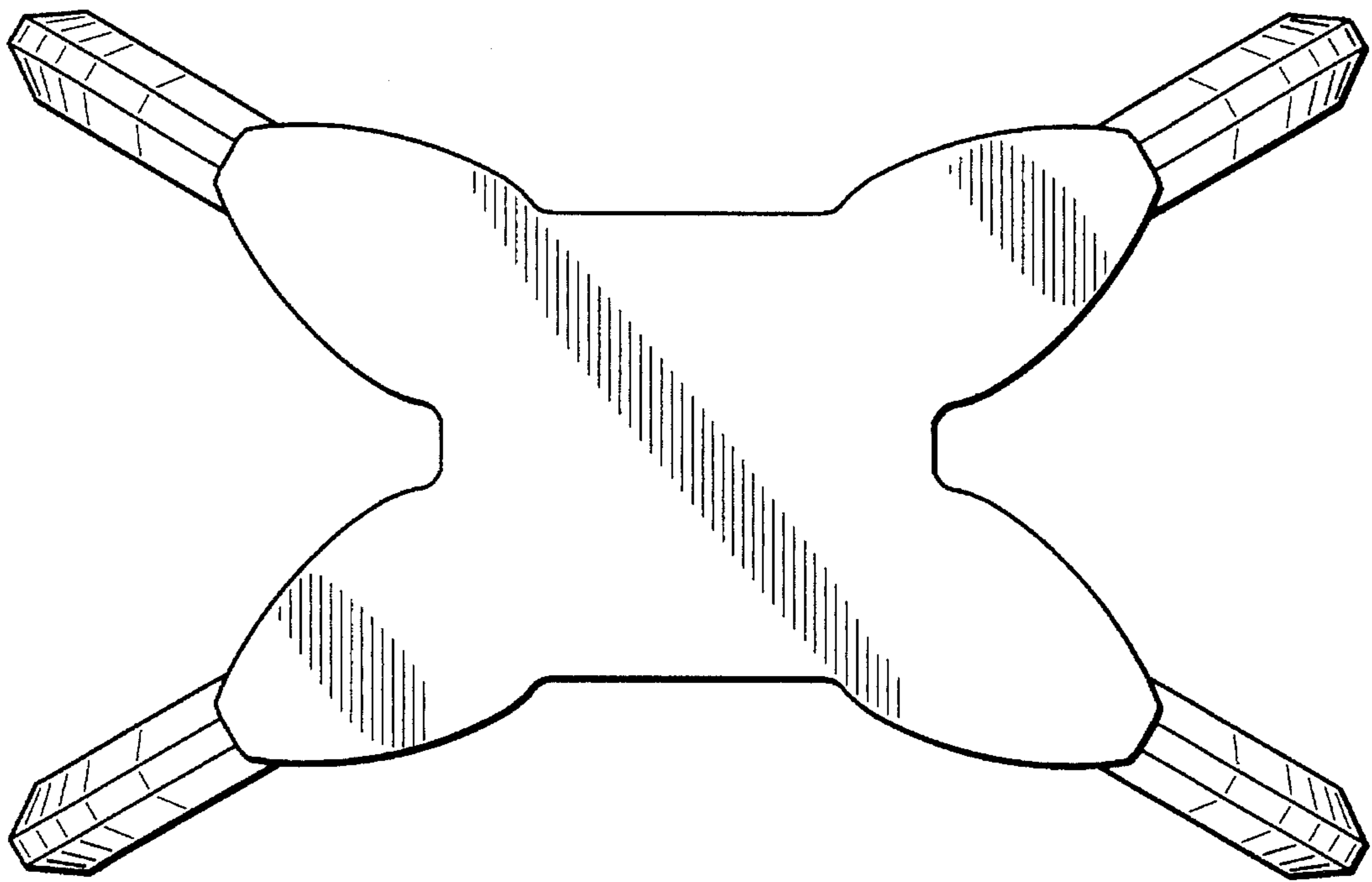


FIG. 4

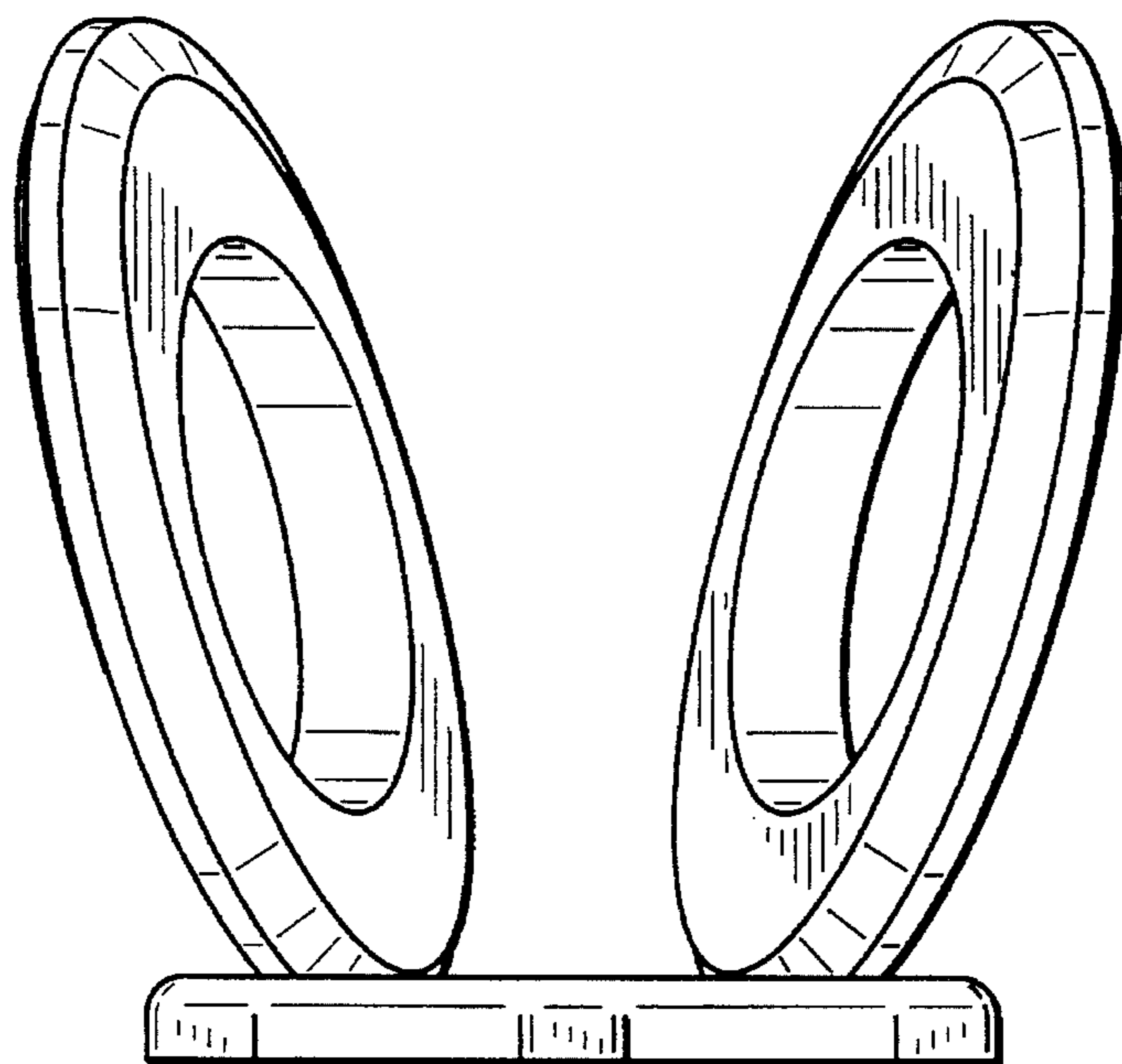


FIG. 5

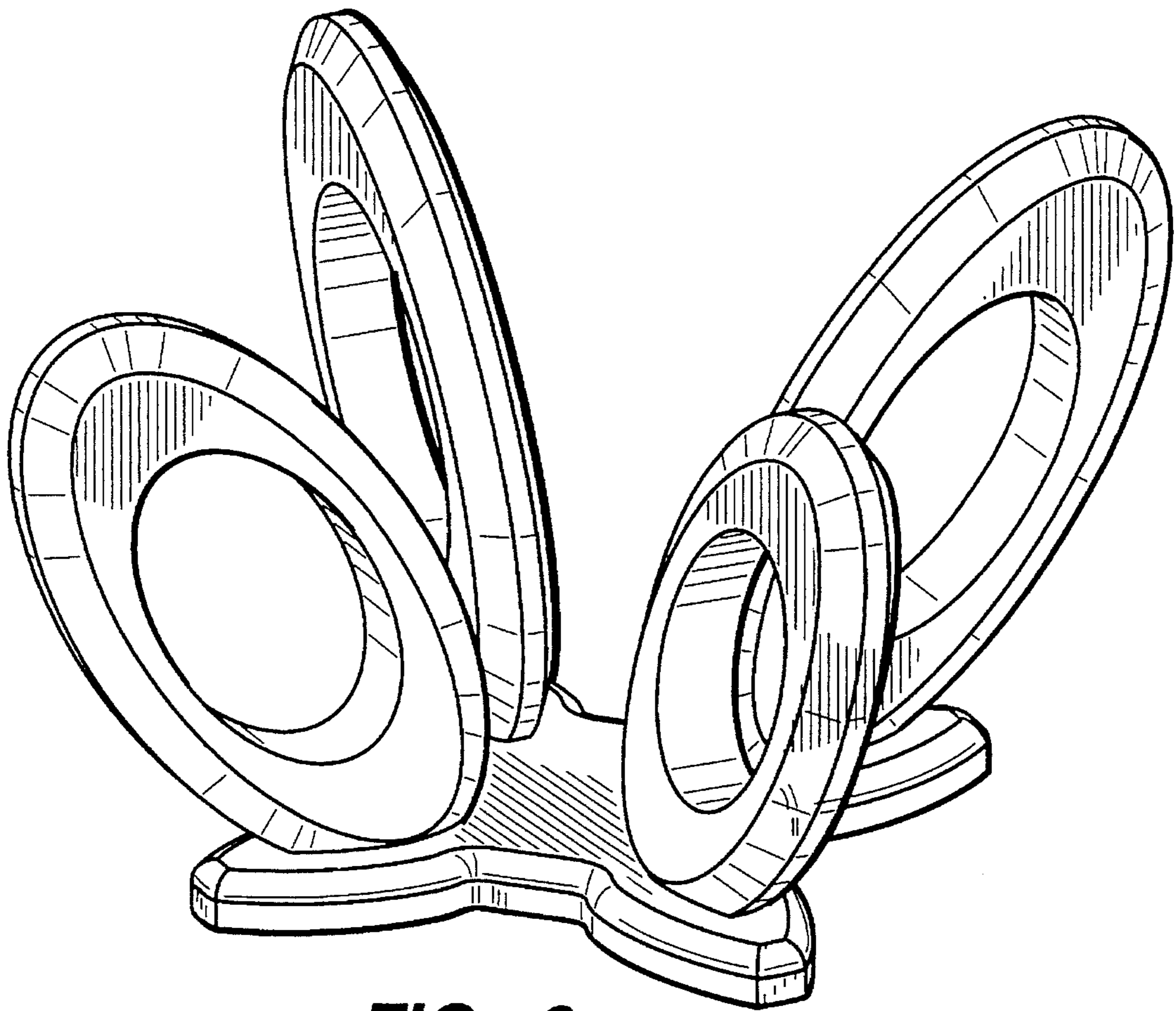
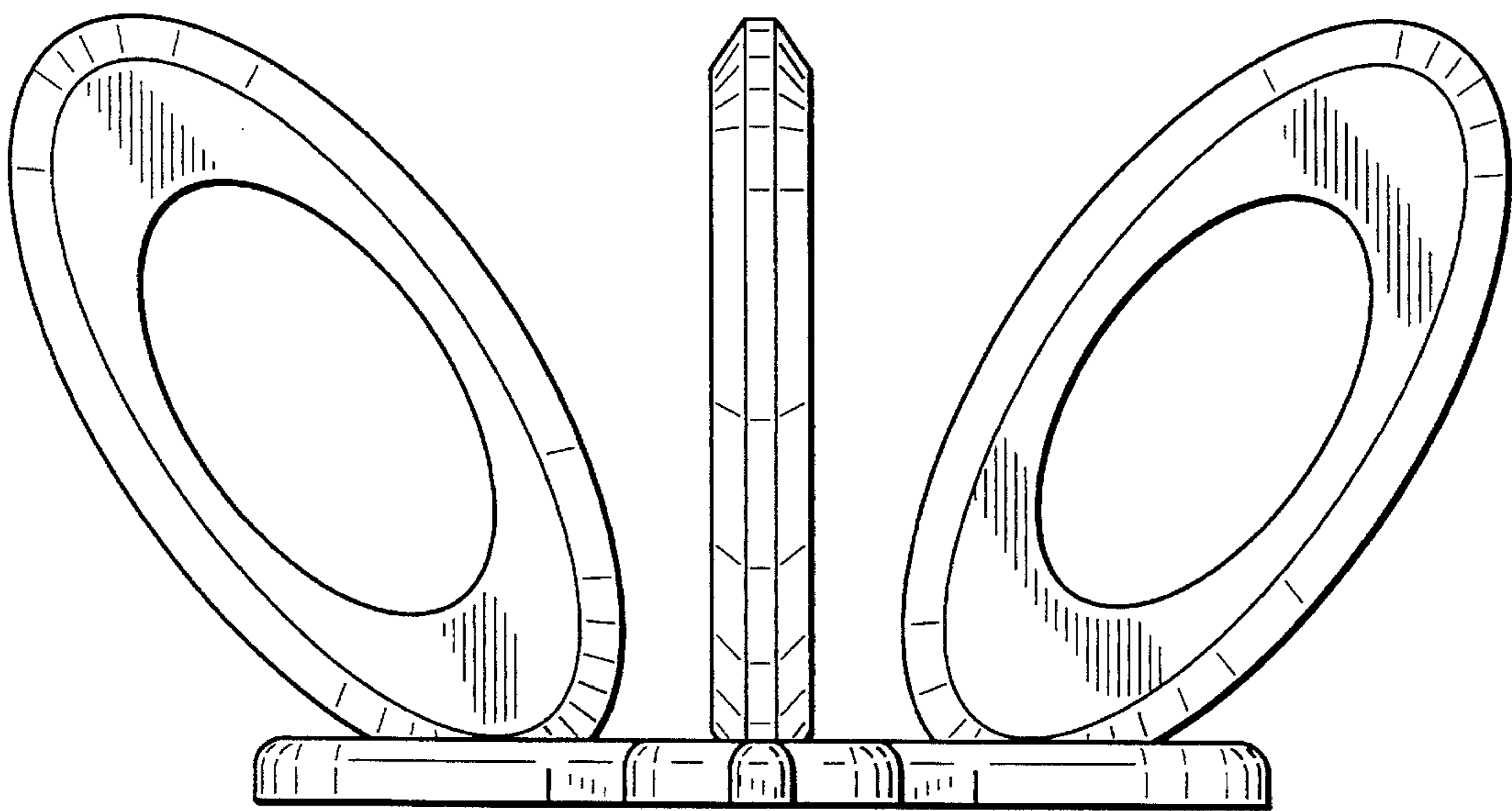
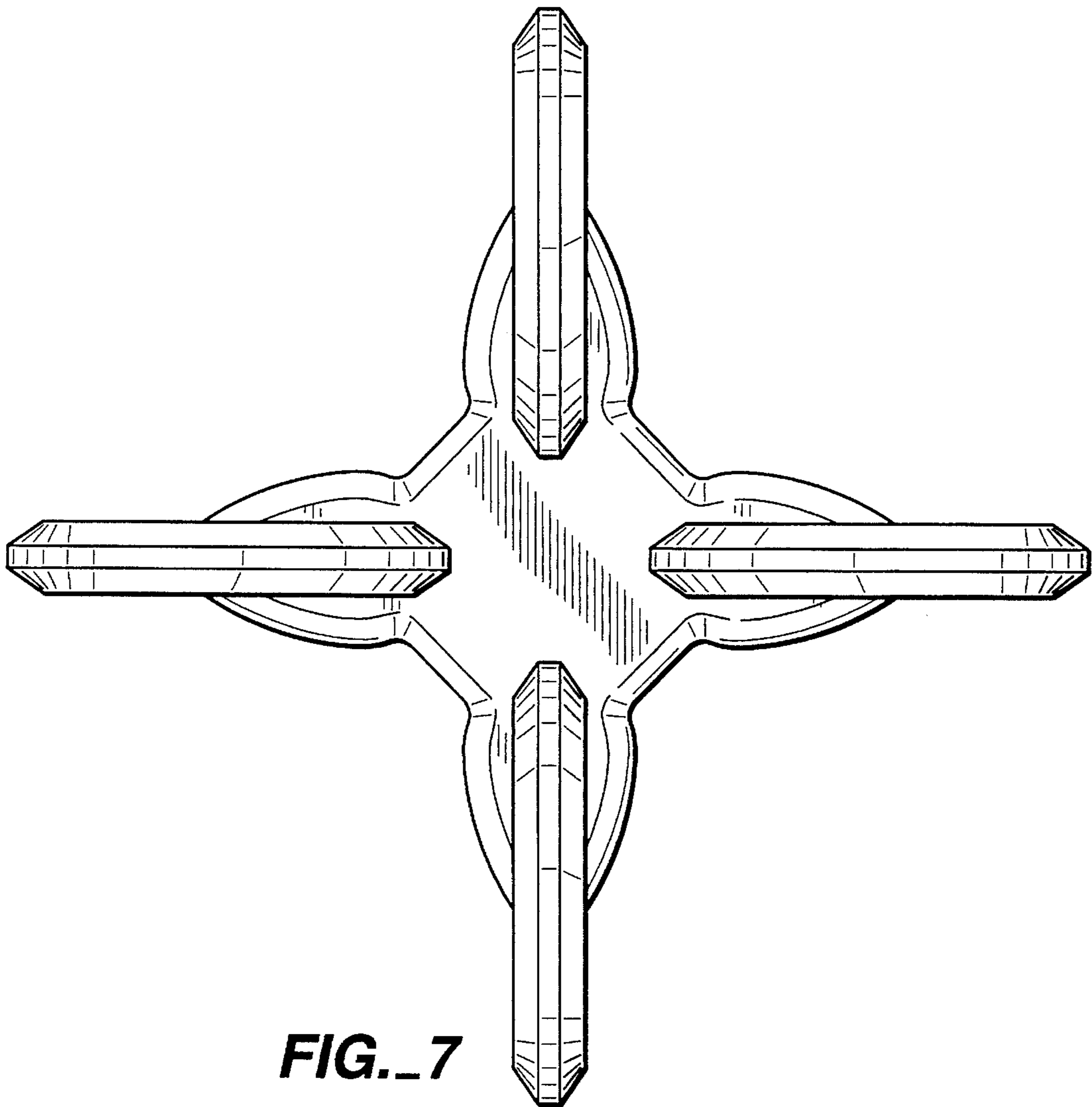


FIG. 6



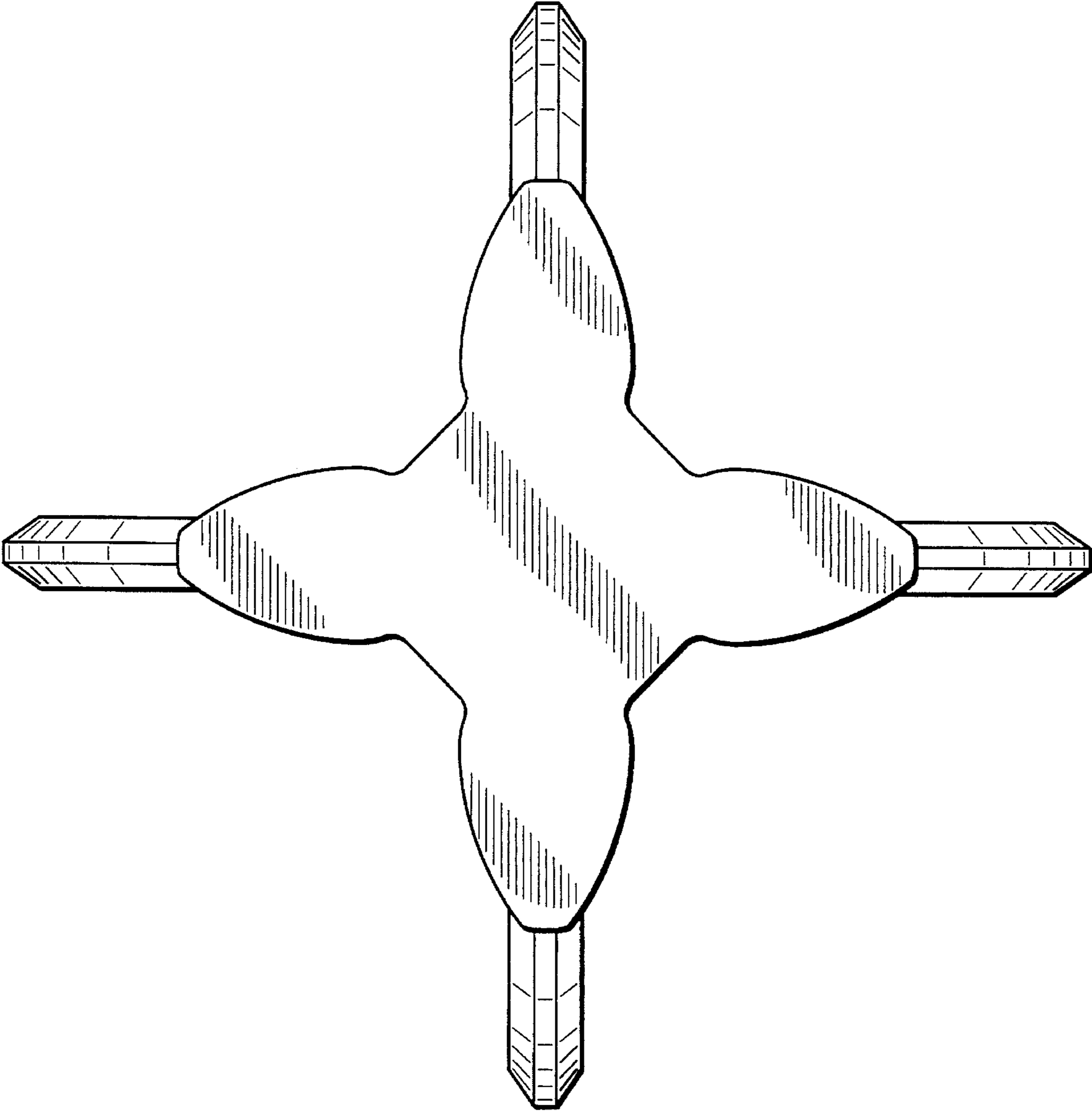


FIG._9

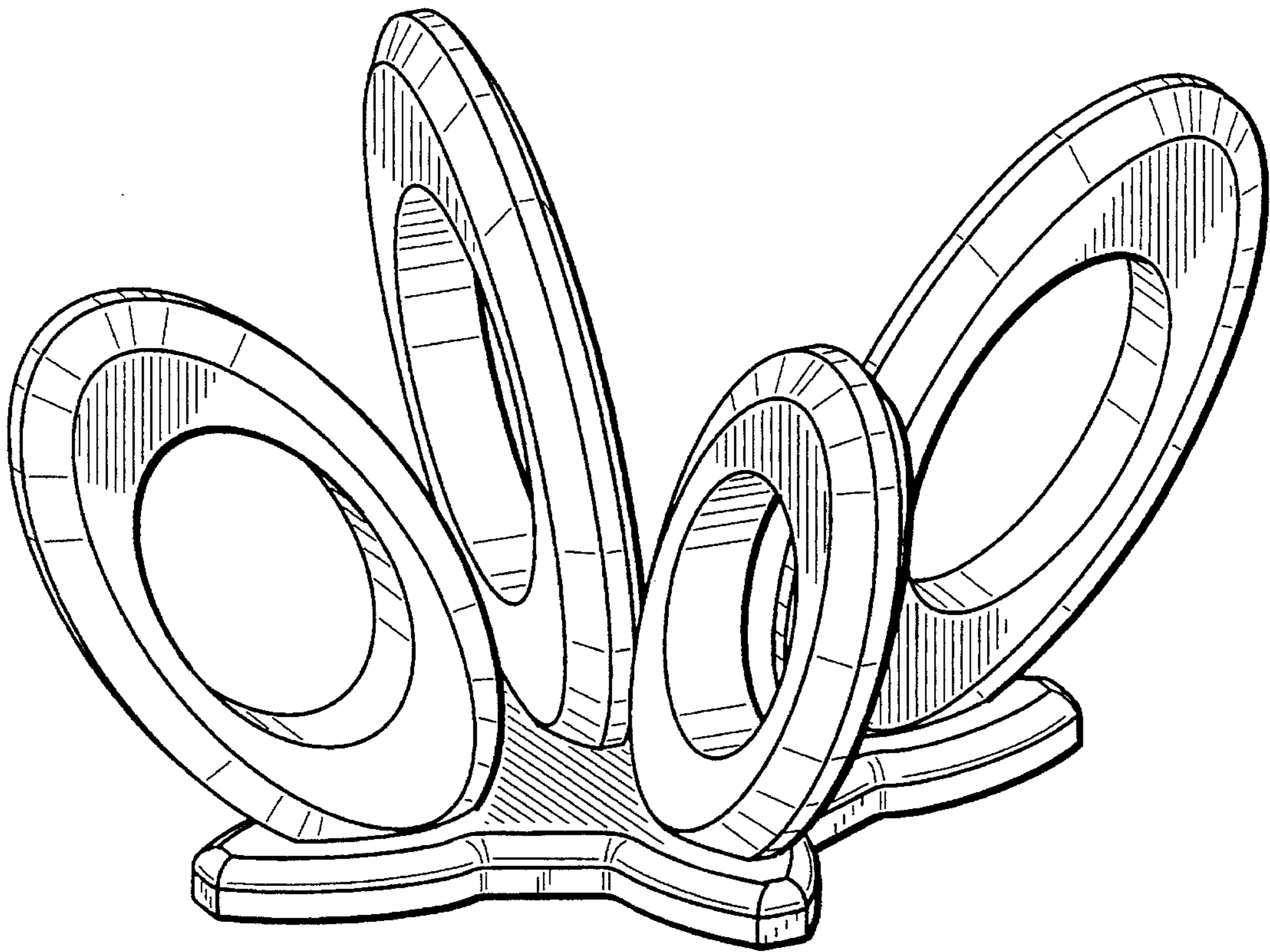


FIG. 10

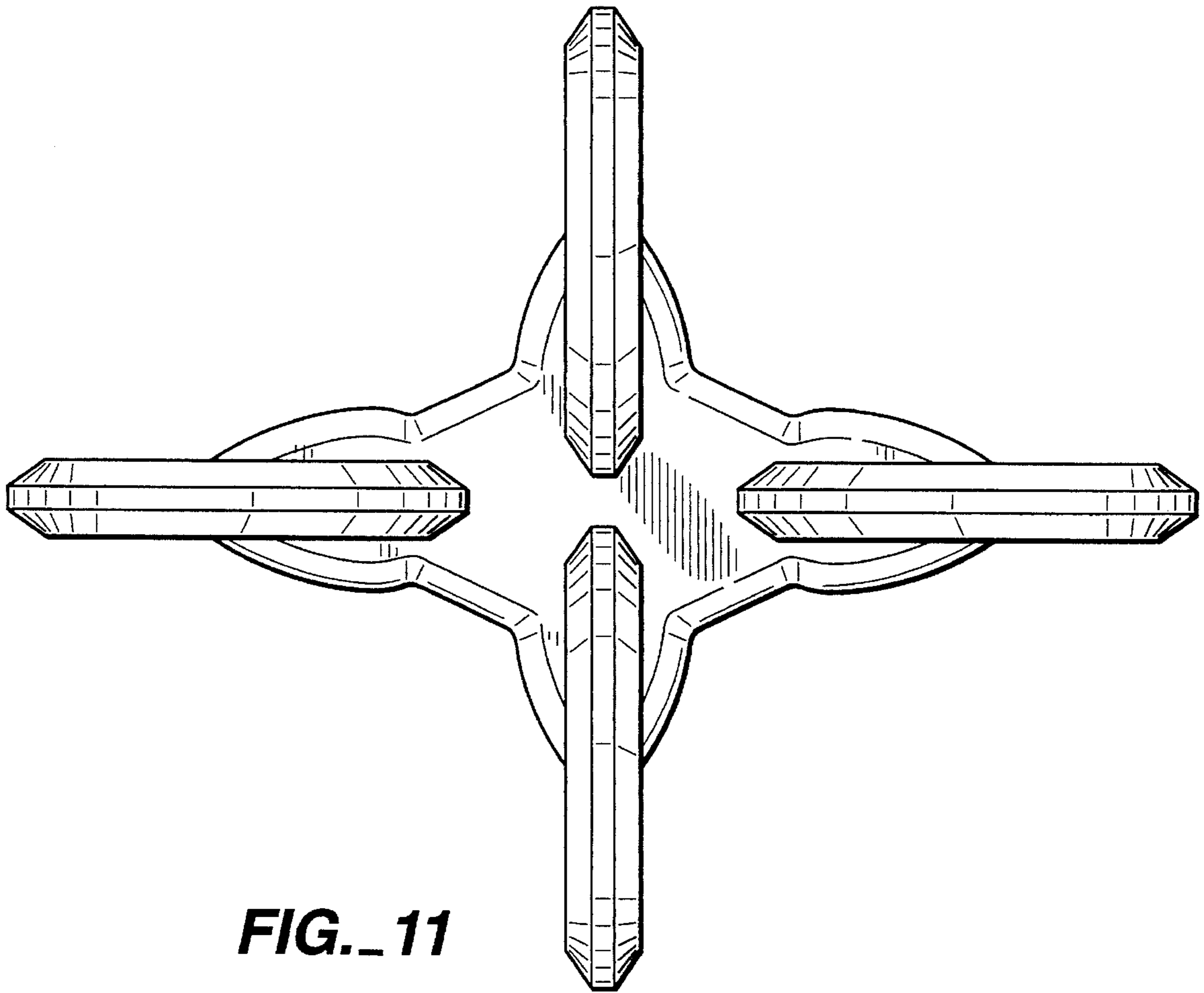


FIG. 11

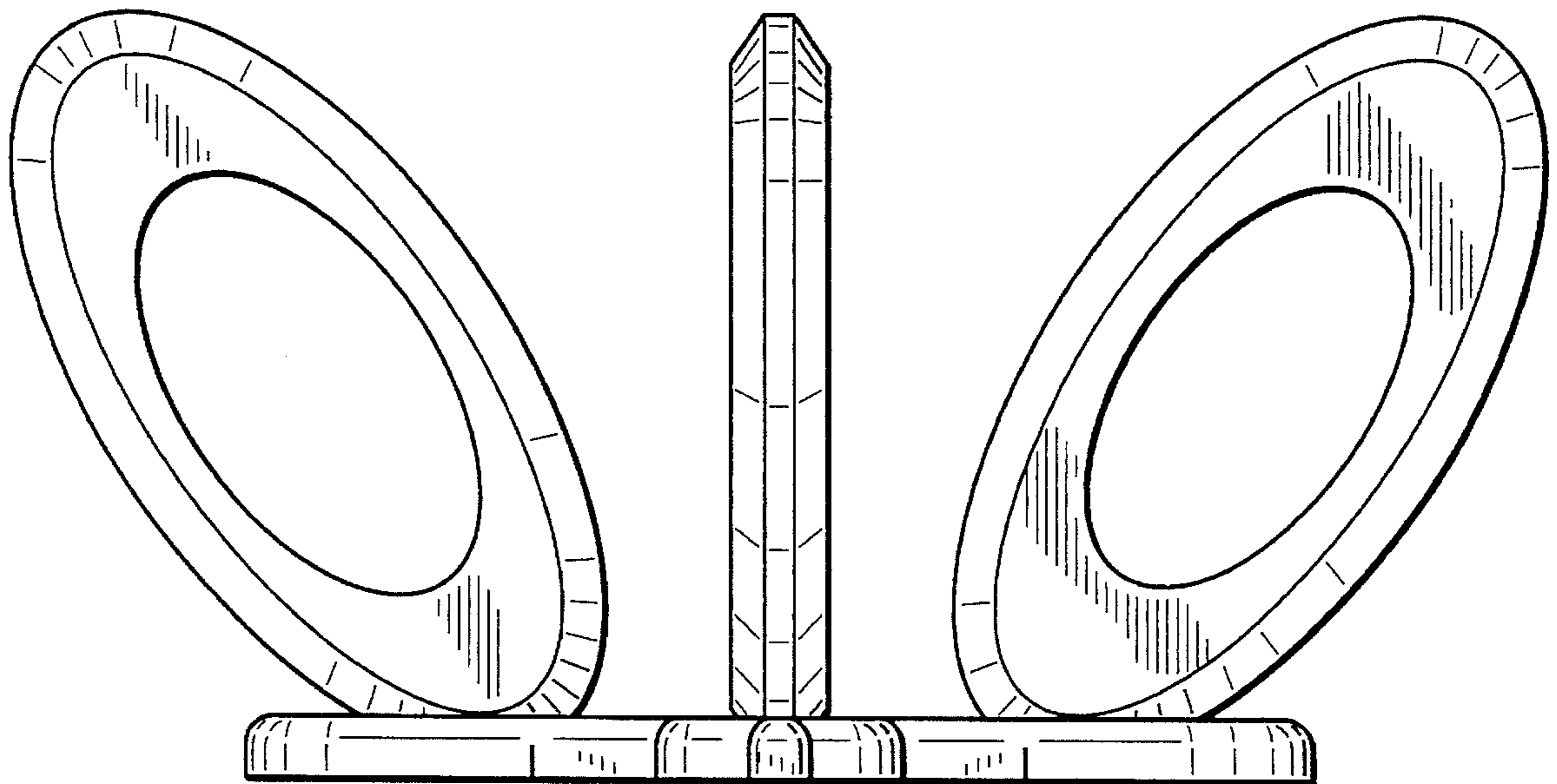


FIG. 12

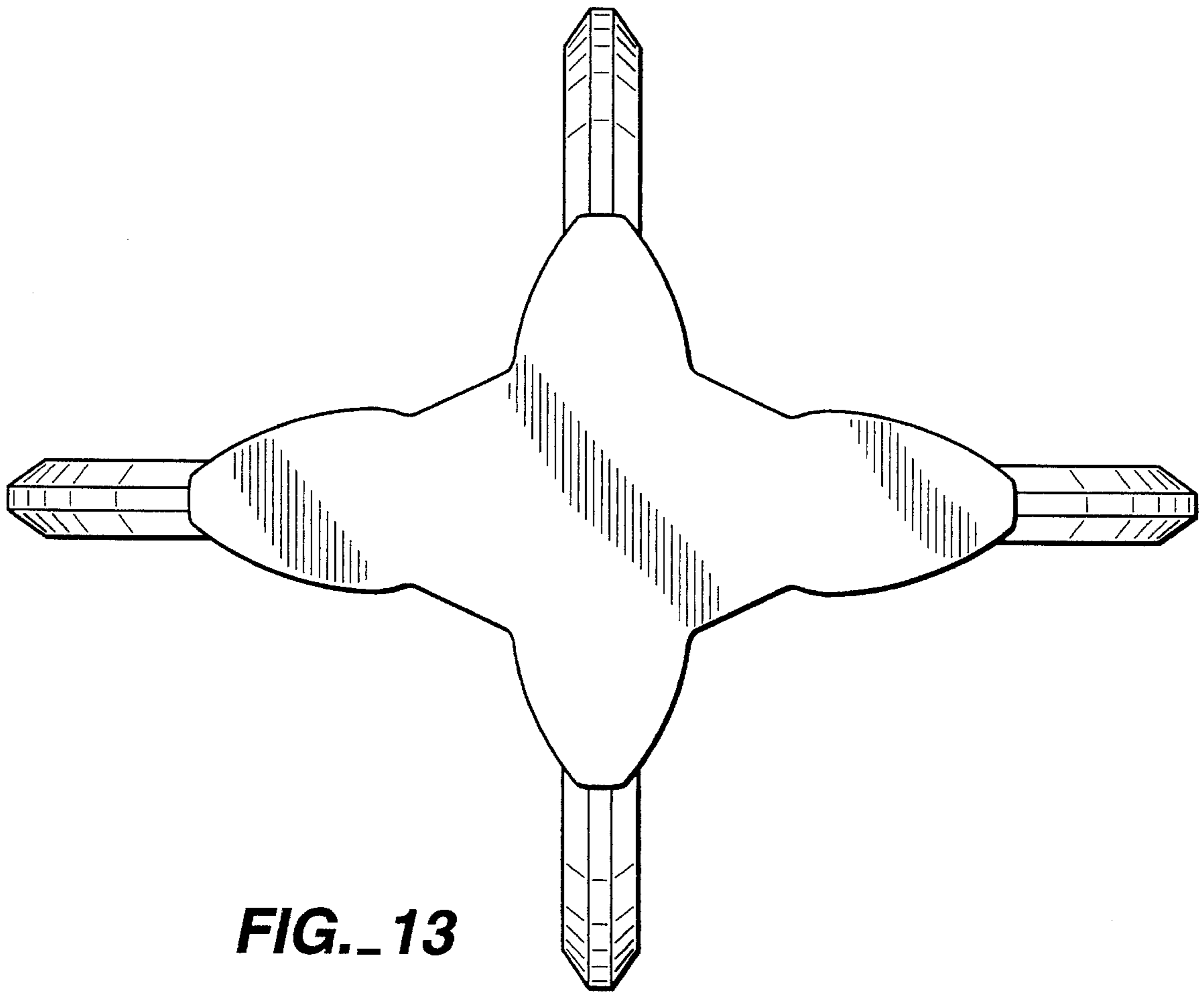


FIG. 13

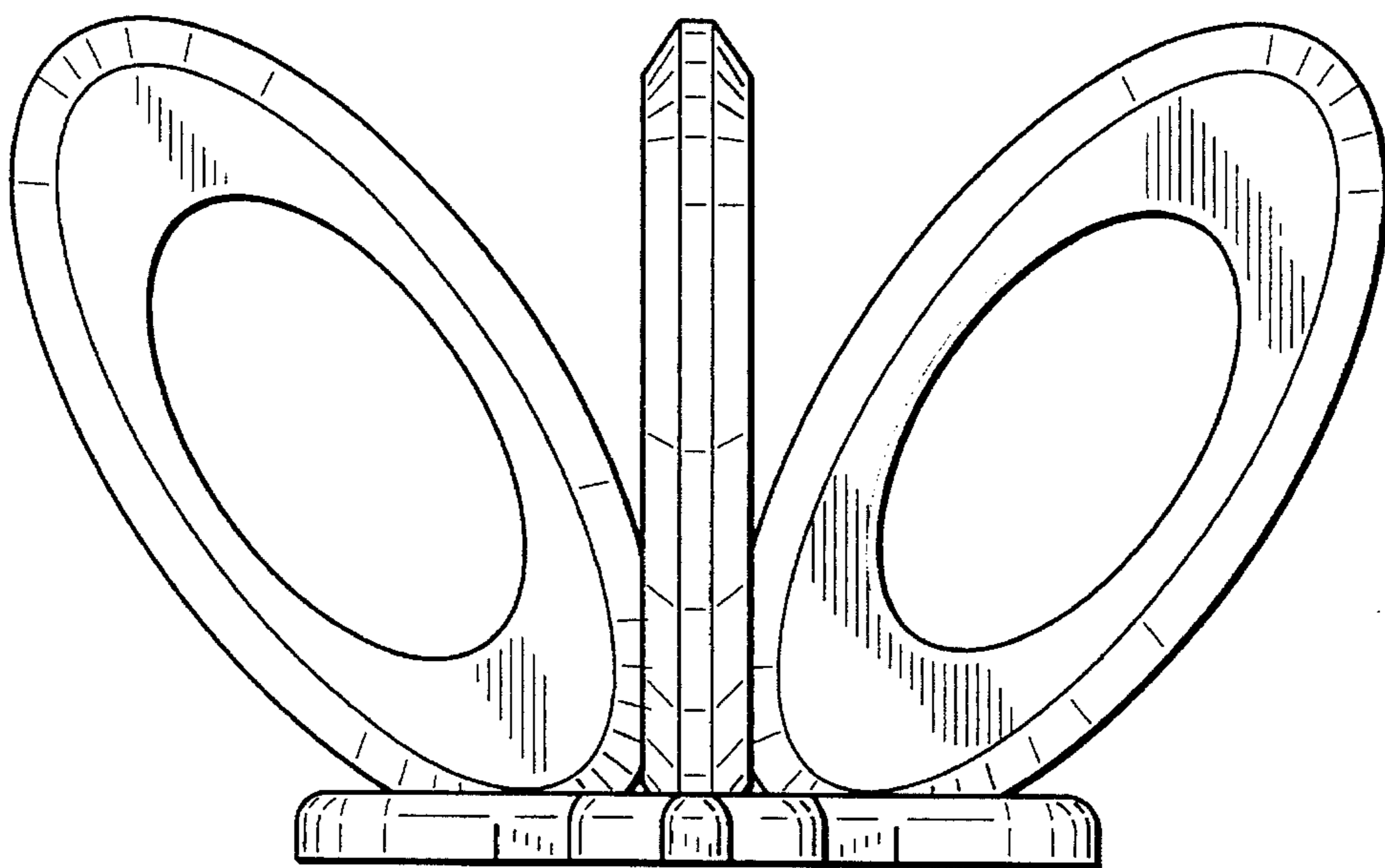


FIG. 14

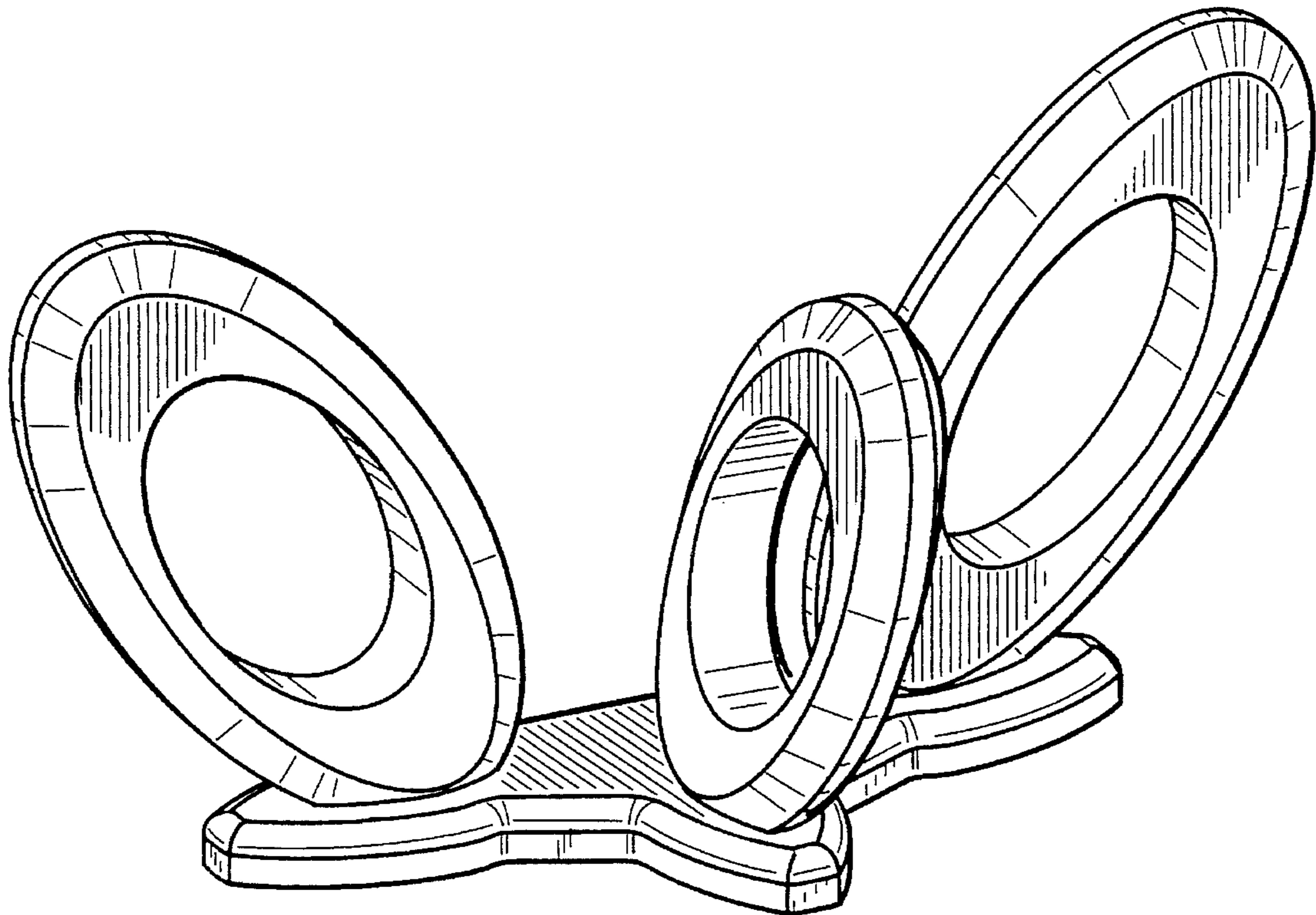
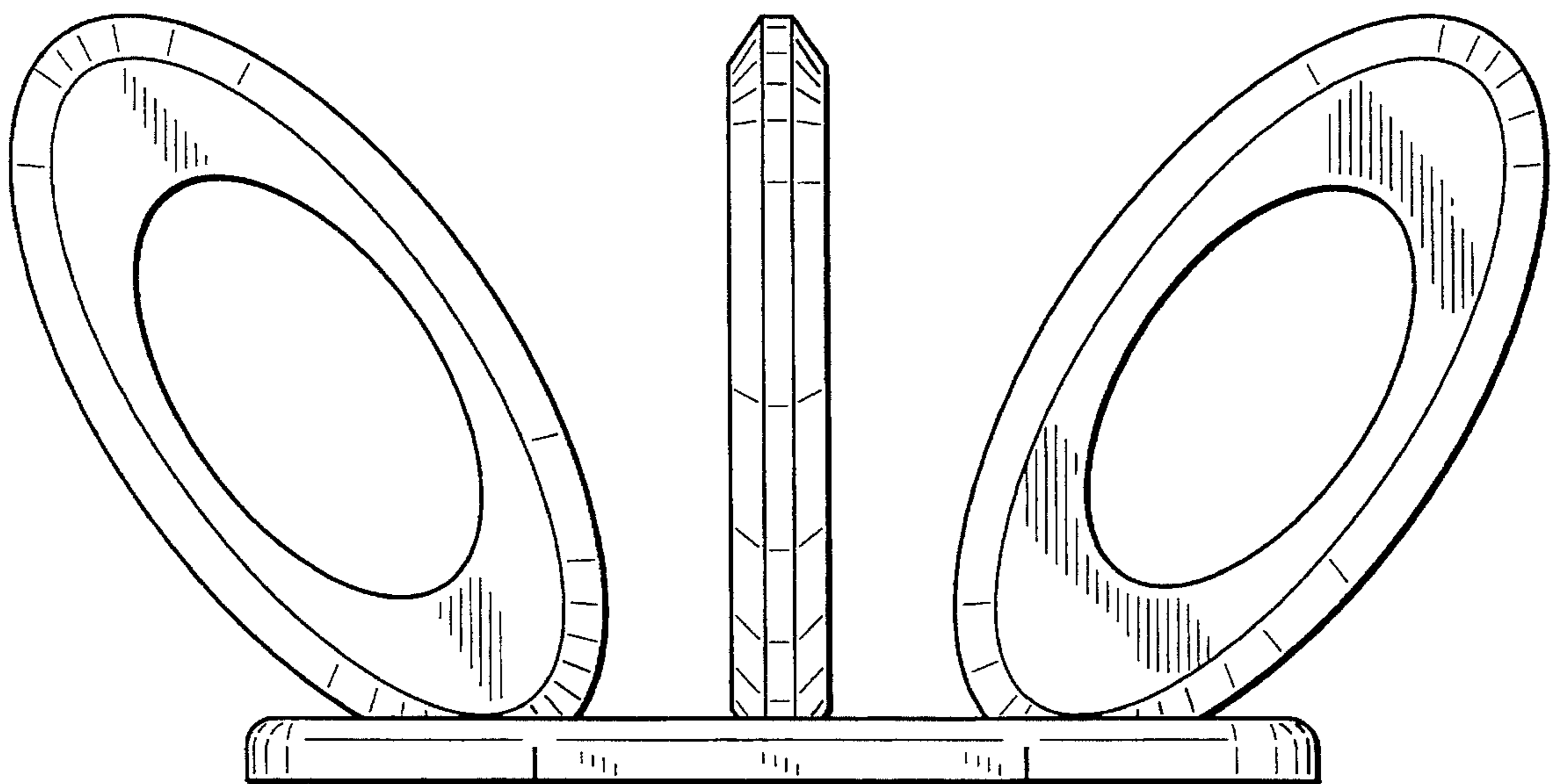
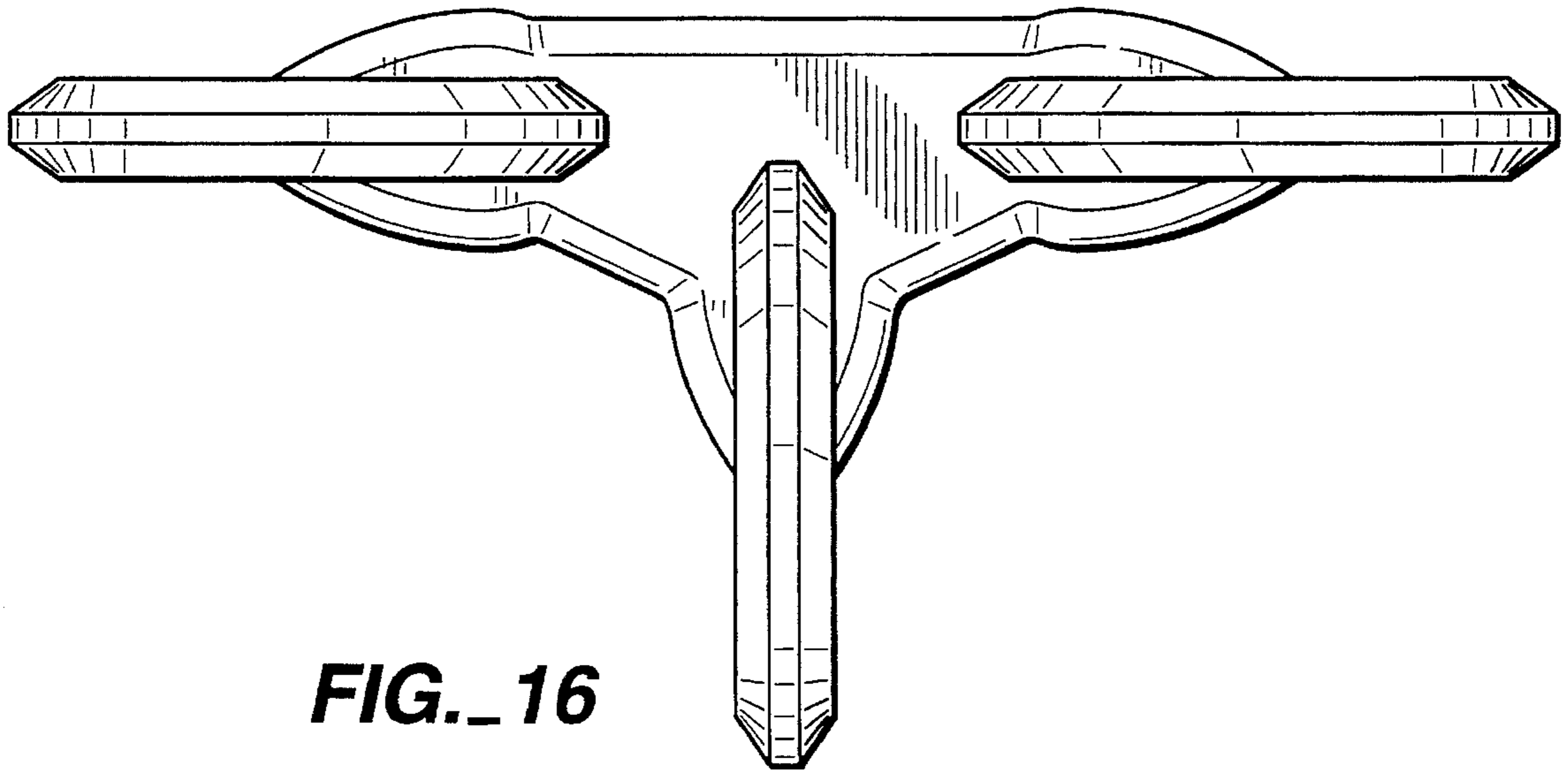


FIG. 15



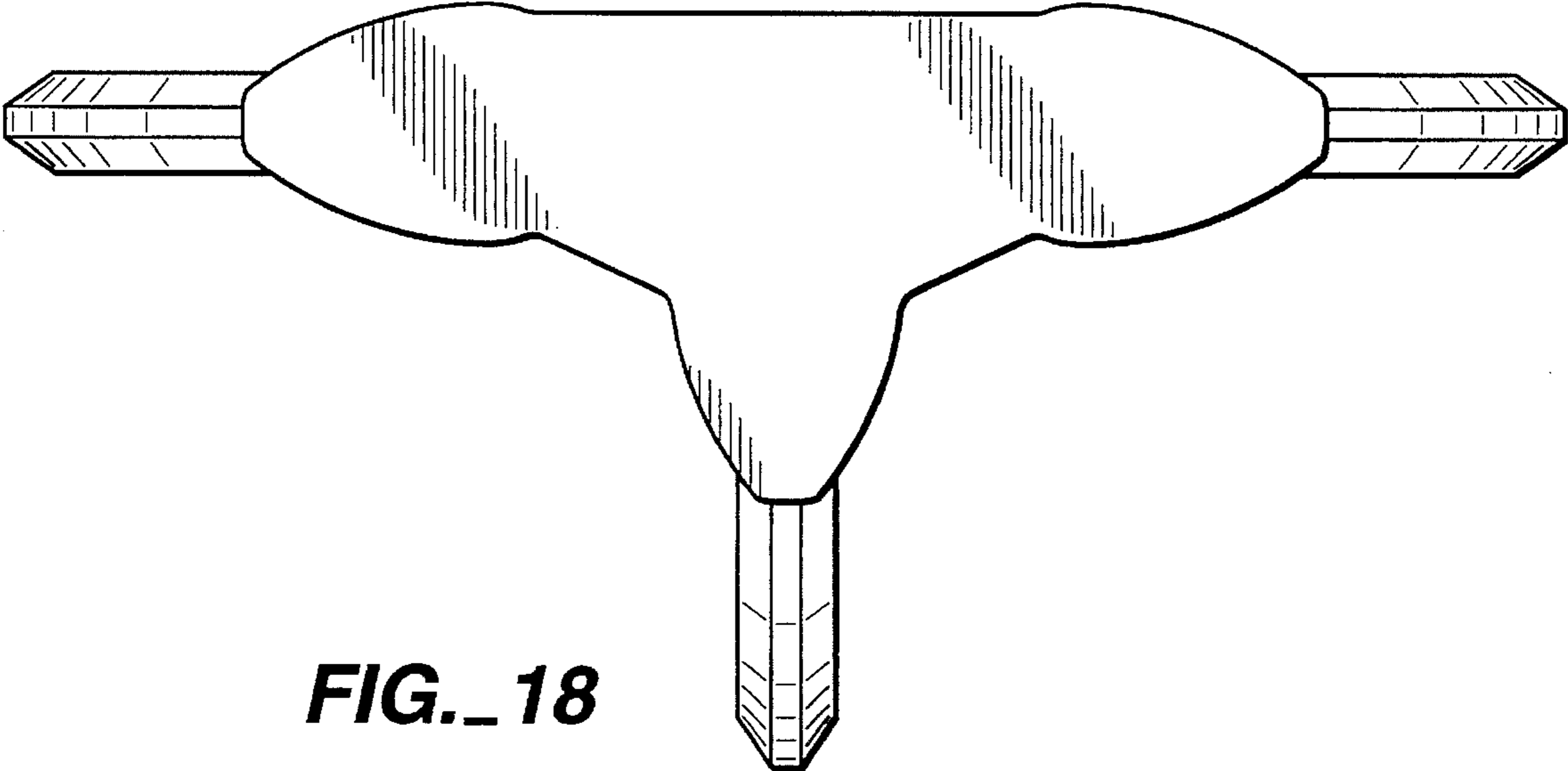


FIG. 18

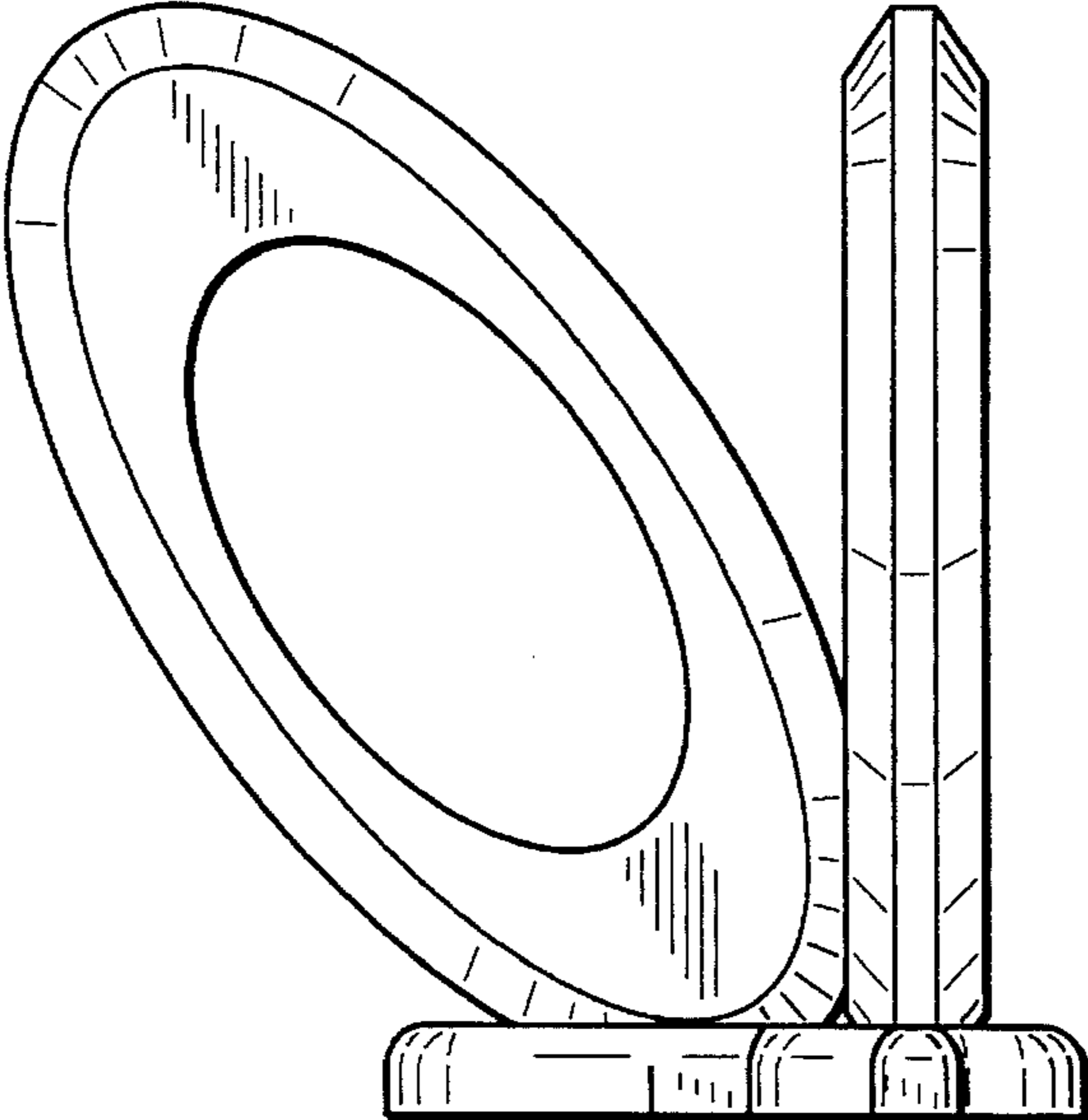


FIG. 19

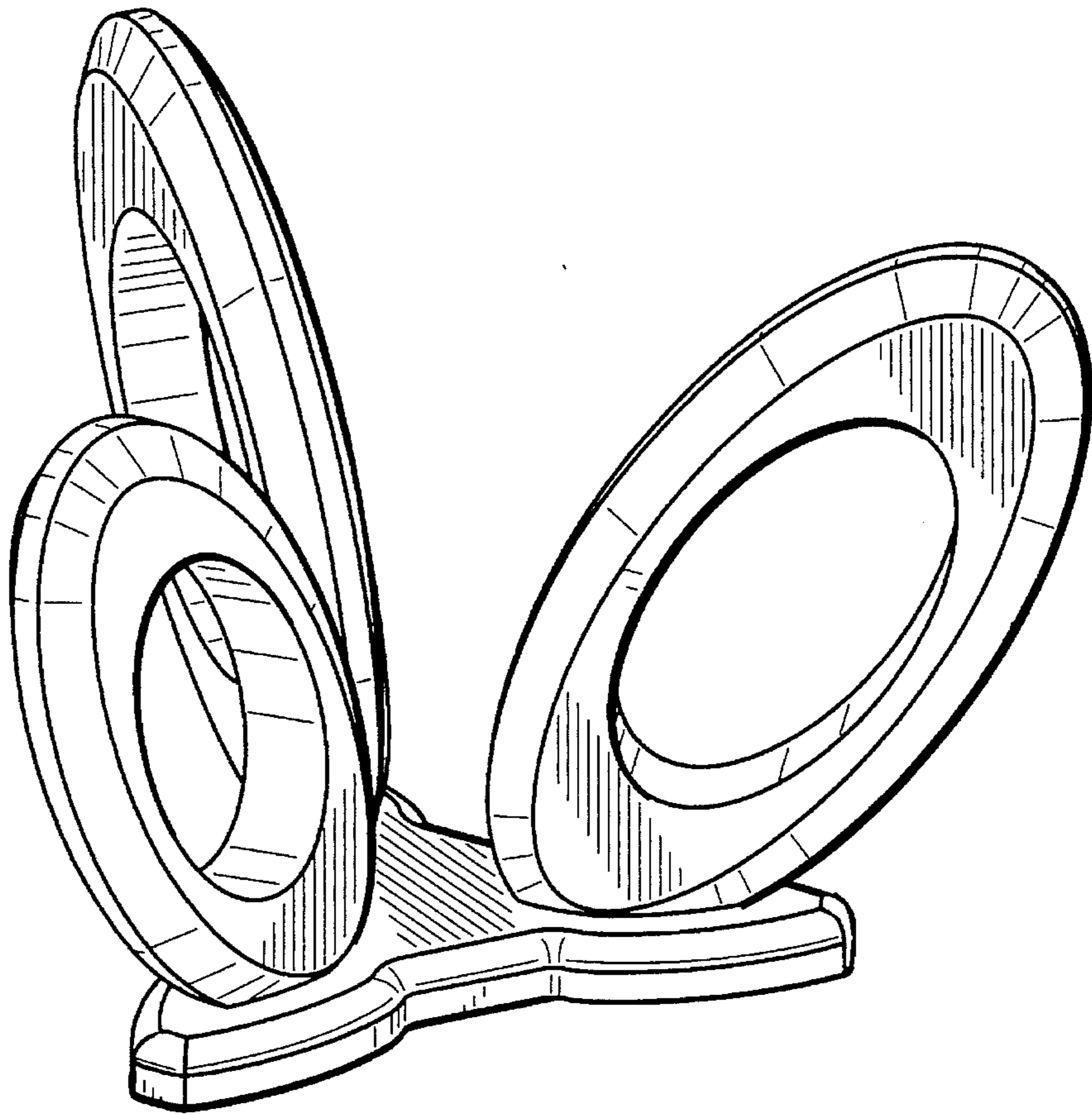


FIG. 20

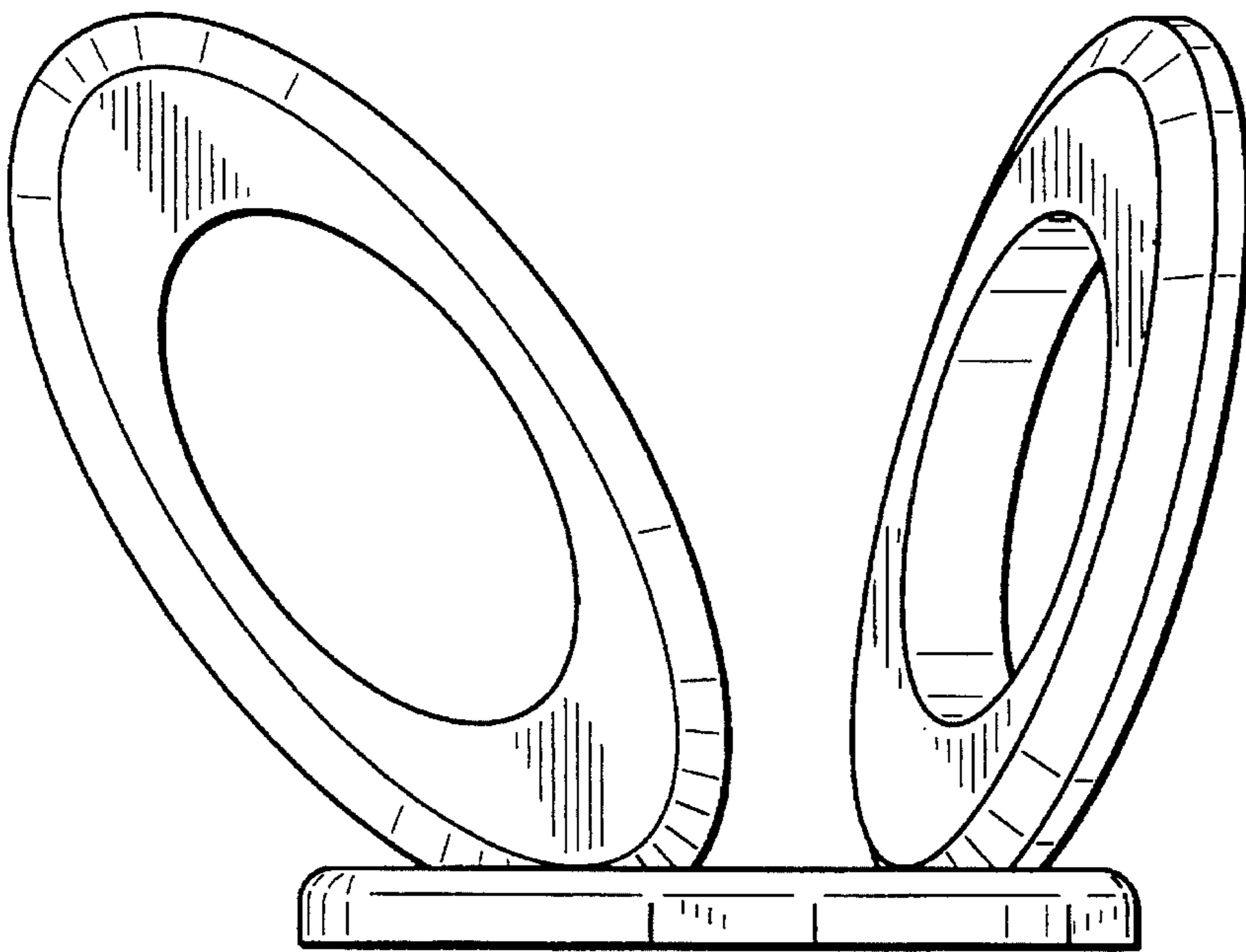


FIG. 24

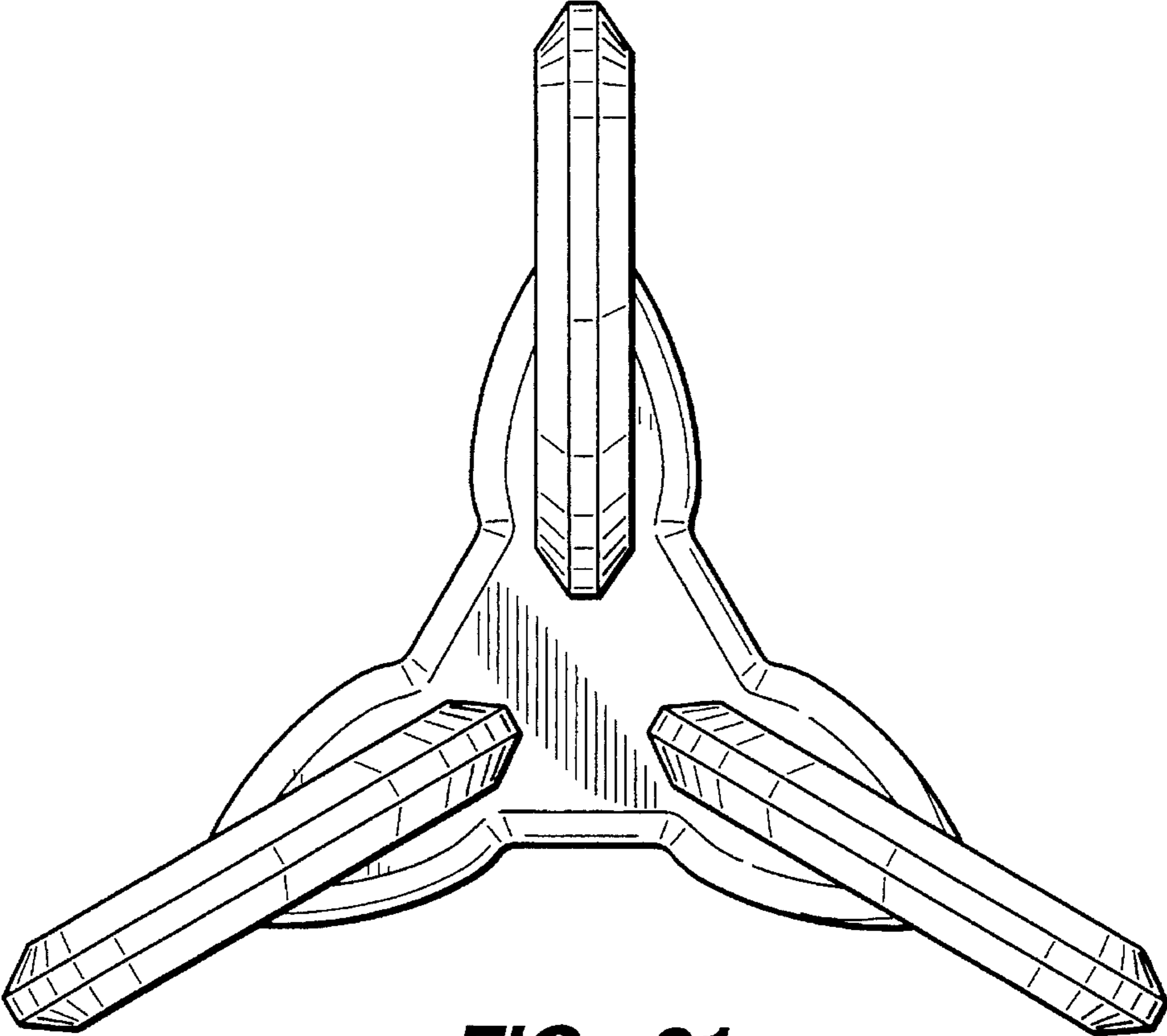


FIG. 21

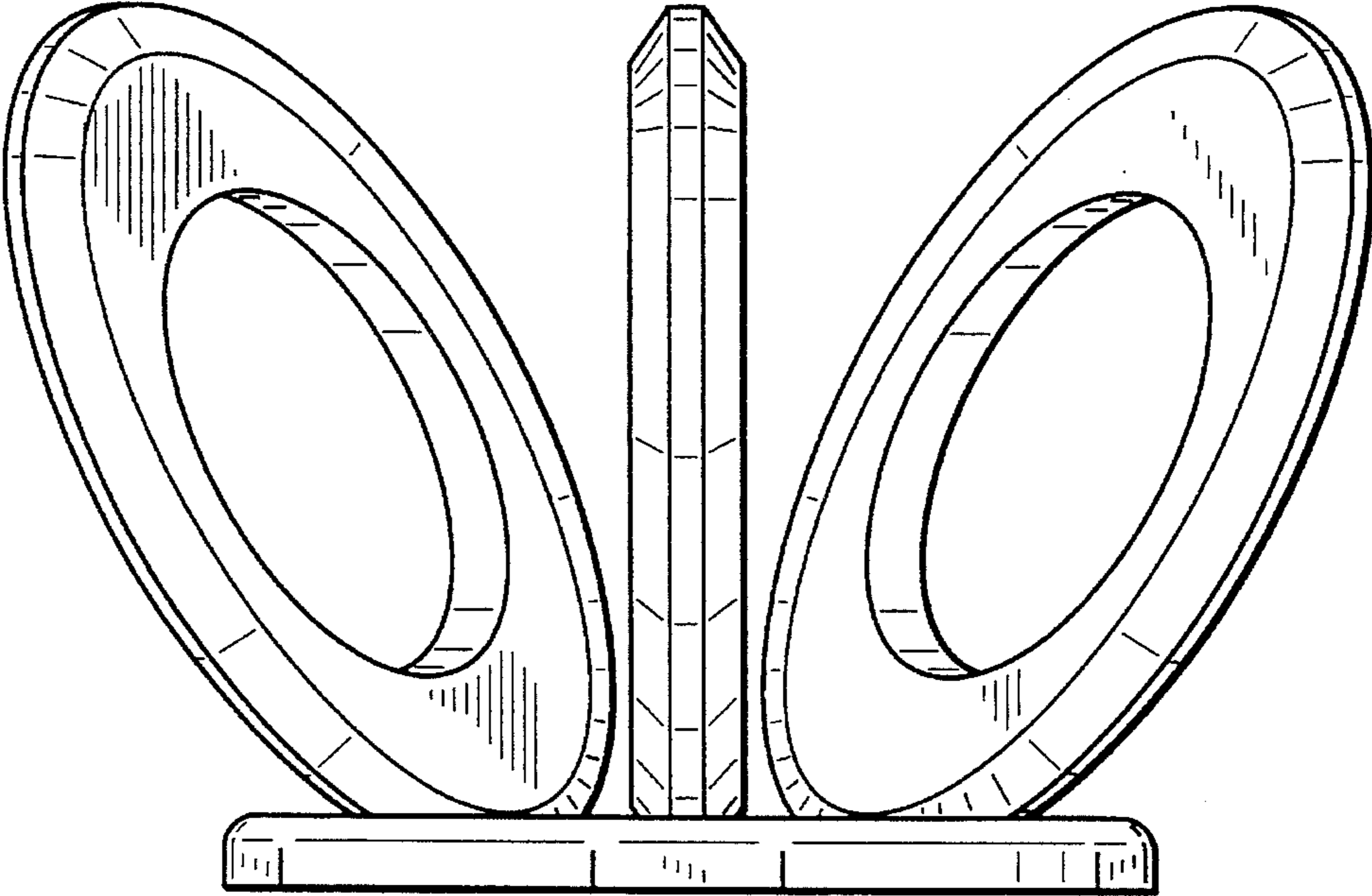


FIG. 22

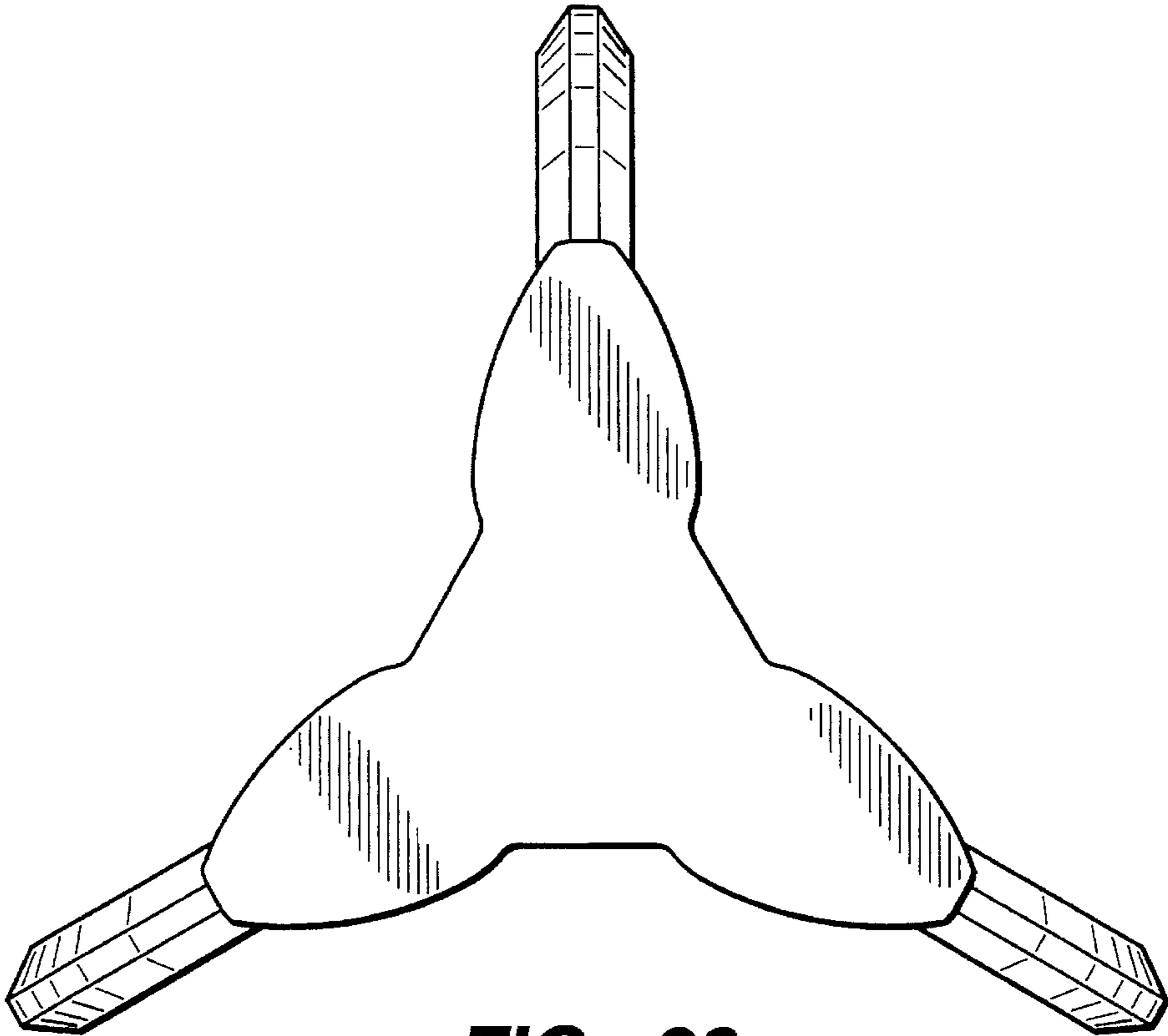


FIG. 23

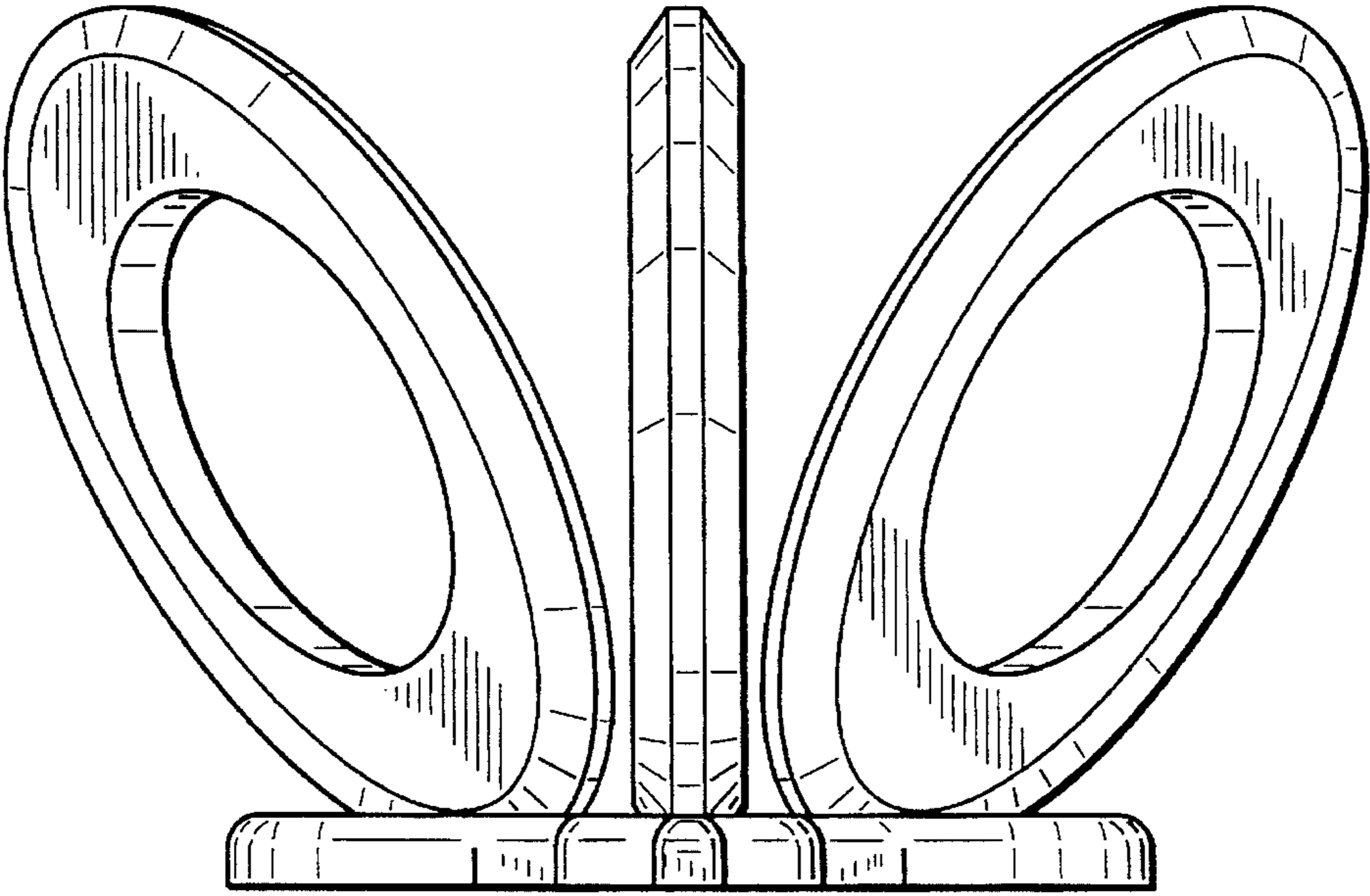


FIG. 25