



US00D370579S

United States Patent [19]

Simon

[11] Patent Number: **Des. 370,579**

[45] Date of Patent: ****Jun. 11, 1996**

[54] **DESK**

[75] Inventor: **Peter Simon**, München, Germany

[73] Assignee: **Knürr-Mechanik für die Elektronik Aktiengesellschaft**, Munich, Germany

[**] Term: **14 Years**

[21] Appl. No.: **33,718**

[22] Filed: **Jan. 19, 1995**

[30] Foreign Application Priority Data

Jul. 22, 1994 [DE] Germany 94 05 859.8

[52] U.S. Cl. **D6/484; D6/429**

[58] Field of Search D6/480-489, 495, D6/429, 422, 428; 108/144, 116, 130, 131, 151, 153, 156, 157, 161; 248/188, 188.1

[56] References Cited

U.S. PATENT DOCUMENTS

- D. 281,297 11/1985 Esslinger D6/484
- D. 284,532 7/1986 Vogt D6/428
- D. 292,154 10/1987 Worrell et al. D6/484
- D. 314,105 1/1991 Vossoughi D6/484

- D. 320,320 10/1991 Ditshuizen D6/422
- D. 335,406 5/1993 Vonhausen D6/484
- D. 352,845 11/1994 Hellwig et al. D6/422
- 5,241,914 9/1993 Korb 248/188.1
- 5,289,784 3/1994 Waibel 248/188.1

OTHER PUBLICATIONS

Jacobs Gardner 1988, p. 86, #b table at lower left.

Primary Examiner—Janice E. Seeger

Attorney, Agent, or Firm—Keck, Mahin & Cate

[57] CLAIM

The ornamental design for a desk, as shown and described.

DESCRIPTION

FIG. 1 is a perspective general view of a desk, showing the new design;

FIG. 2 is a right side view thereof;

FIG. 3 is a front view thereof;

FIG. 4 is a top plan view thereof;

FIG. 5 is a left side view thereof;

FIG. 6 is a rear view thereof; and,

FIG. 7 is a bottom plan view thereof.

1 Claim, 7 Drawing Sheets

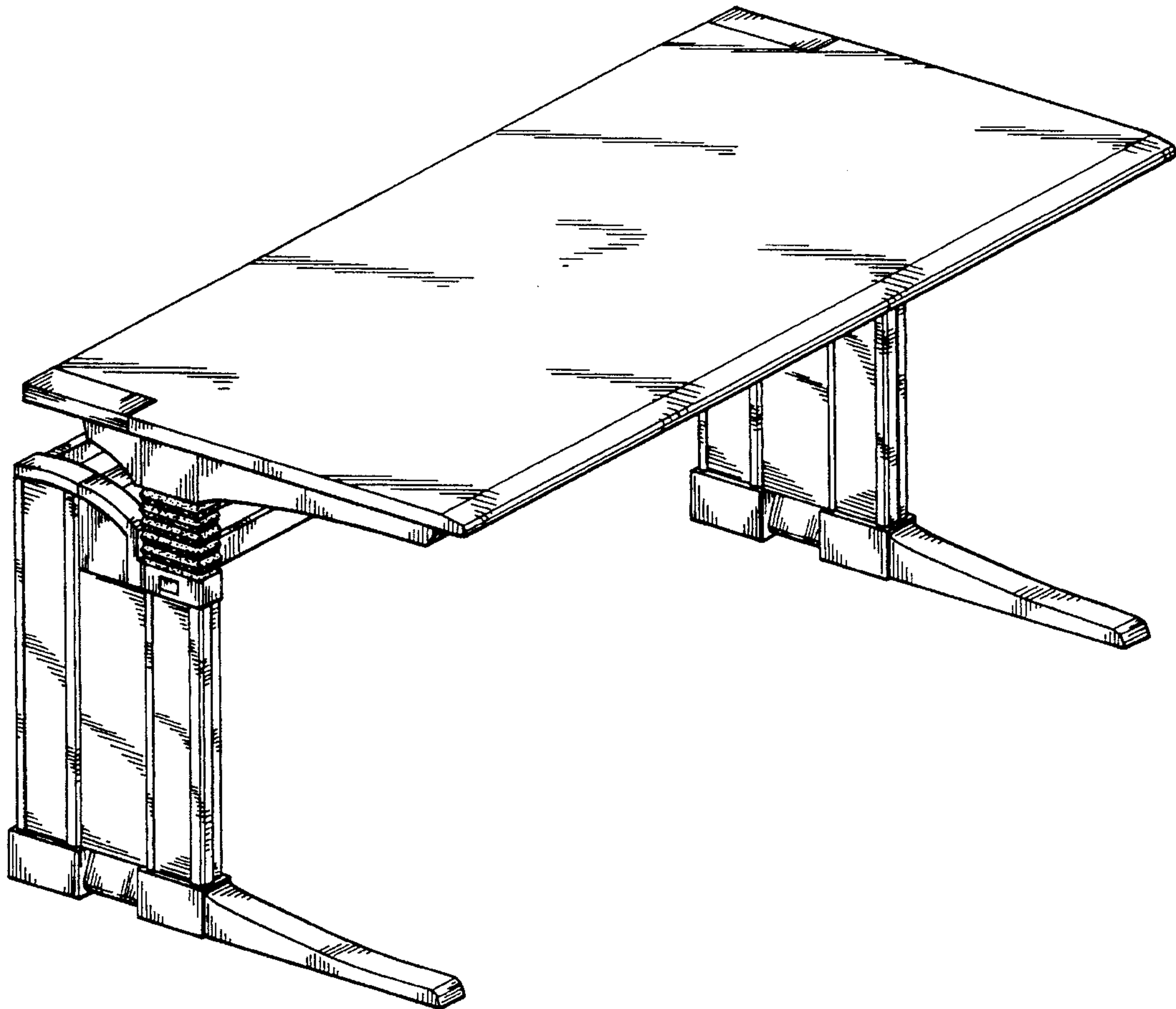


Fig. 1

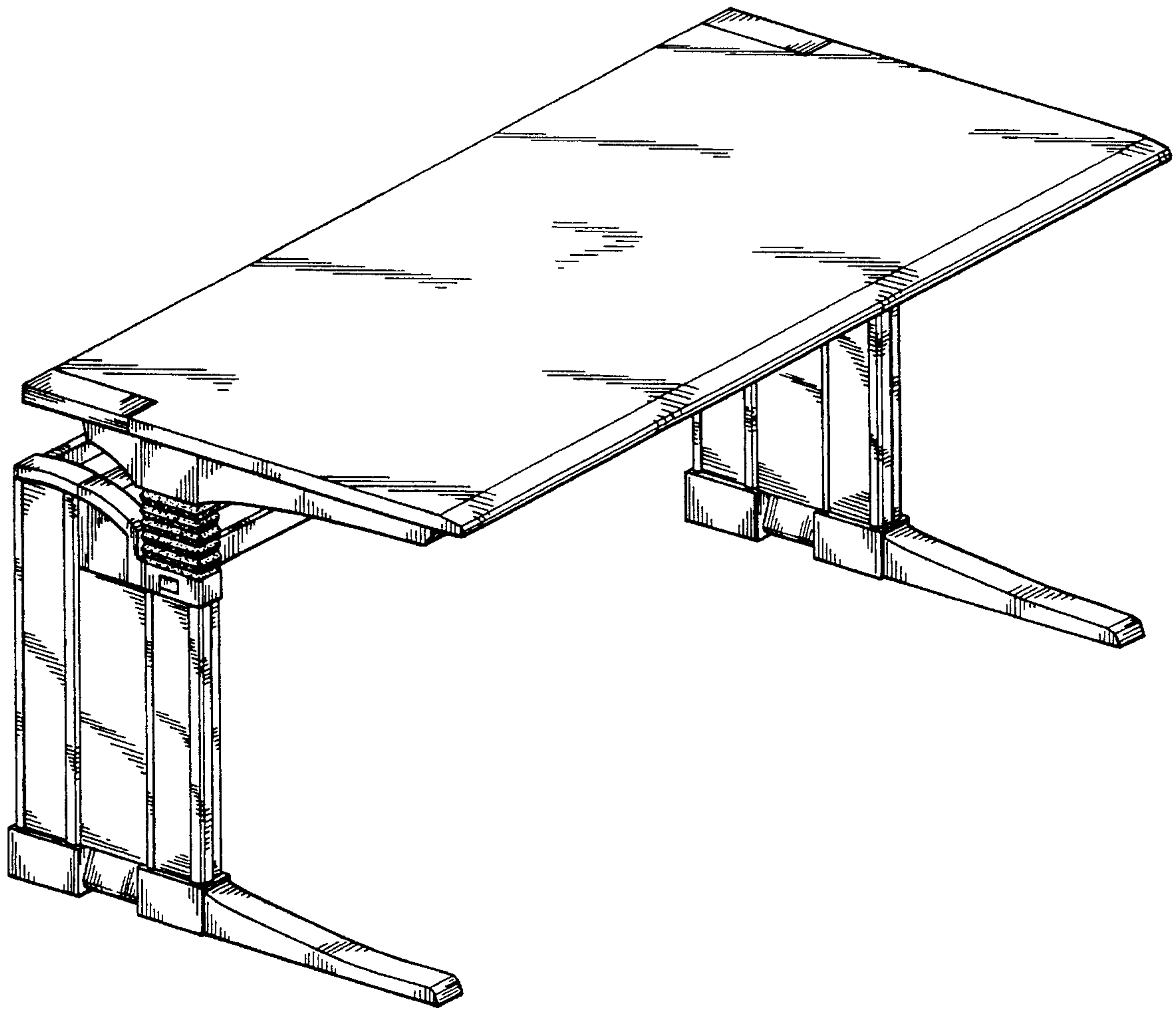


Fig. 2

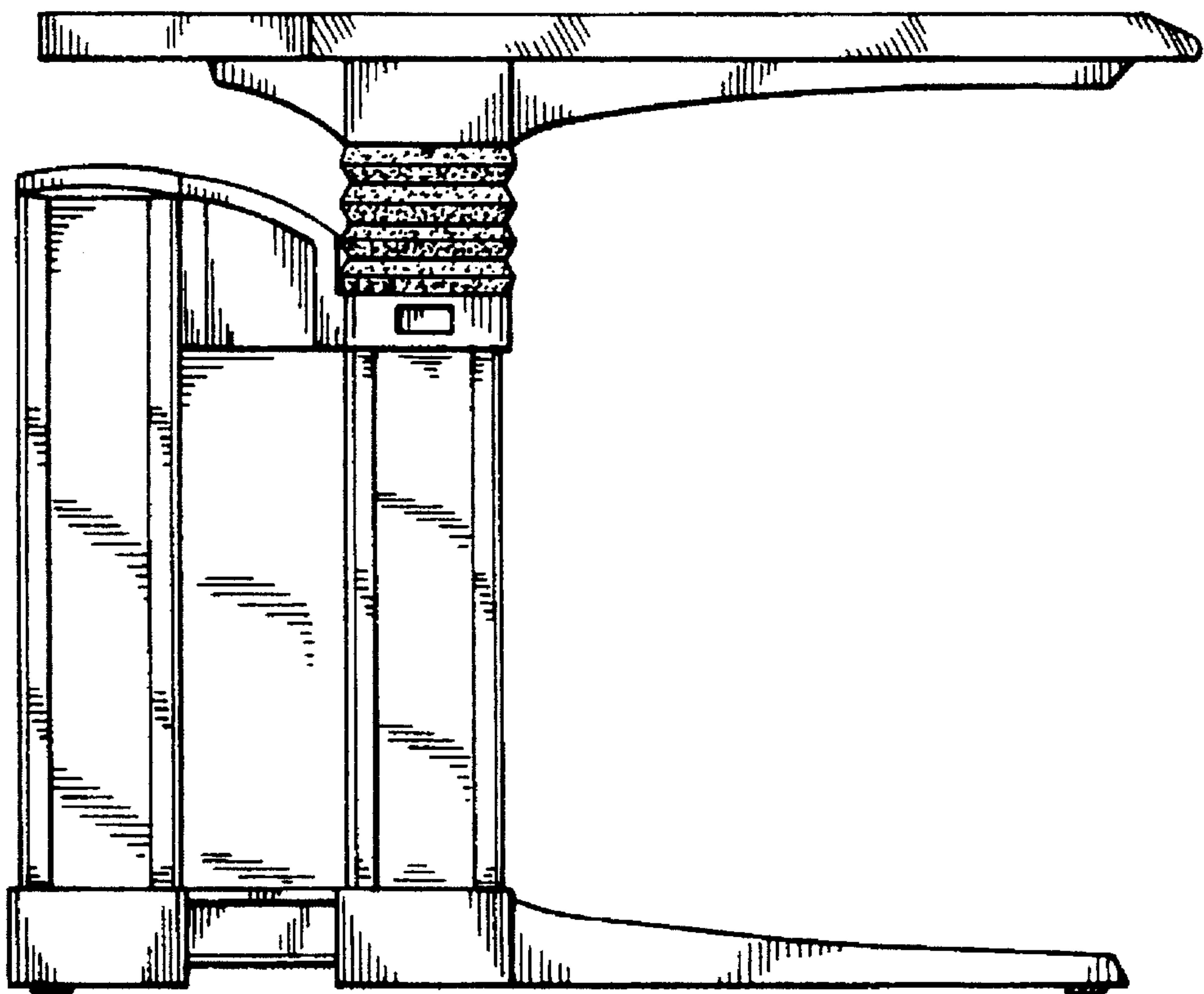


Fig. 3

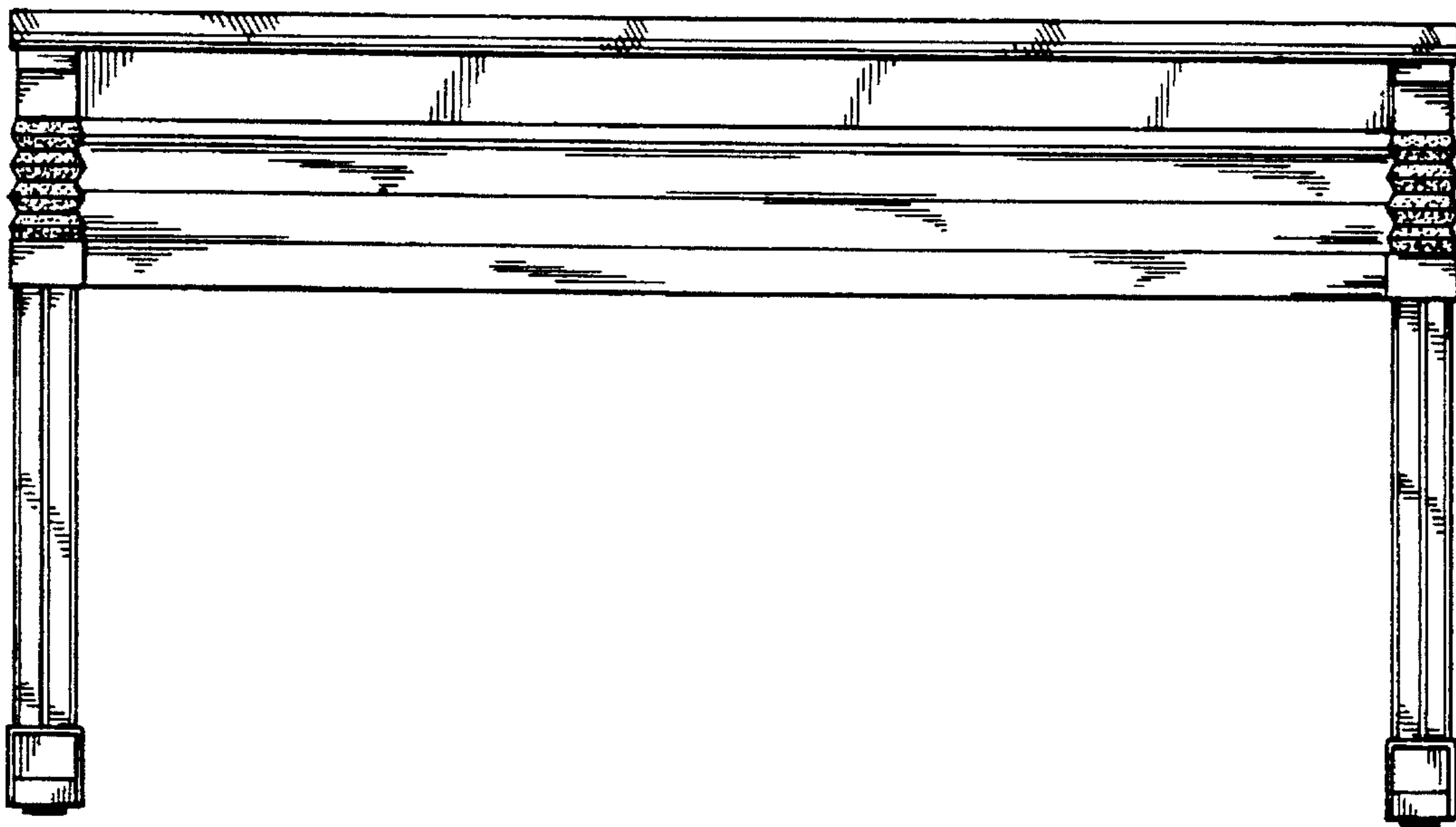


Fig. 4

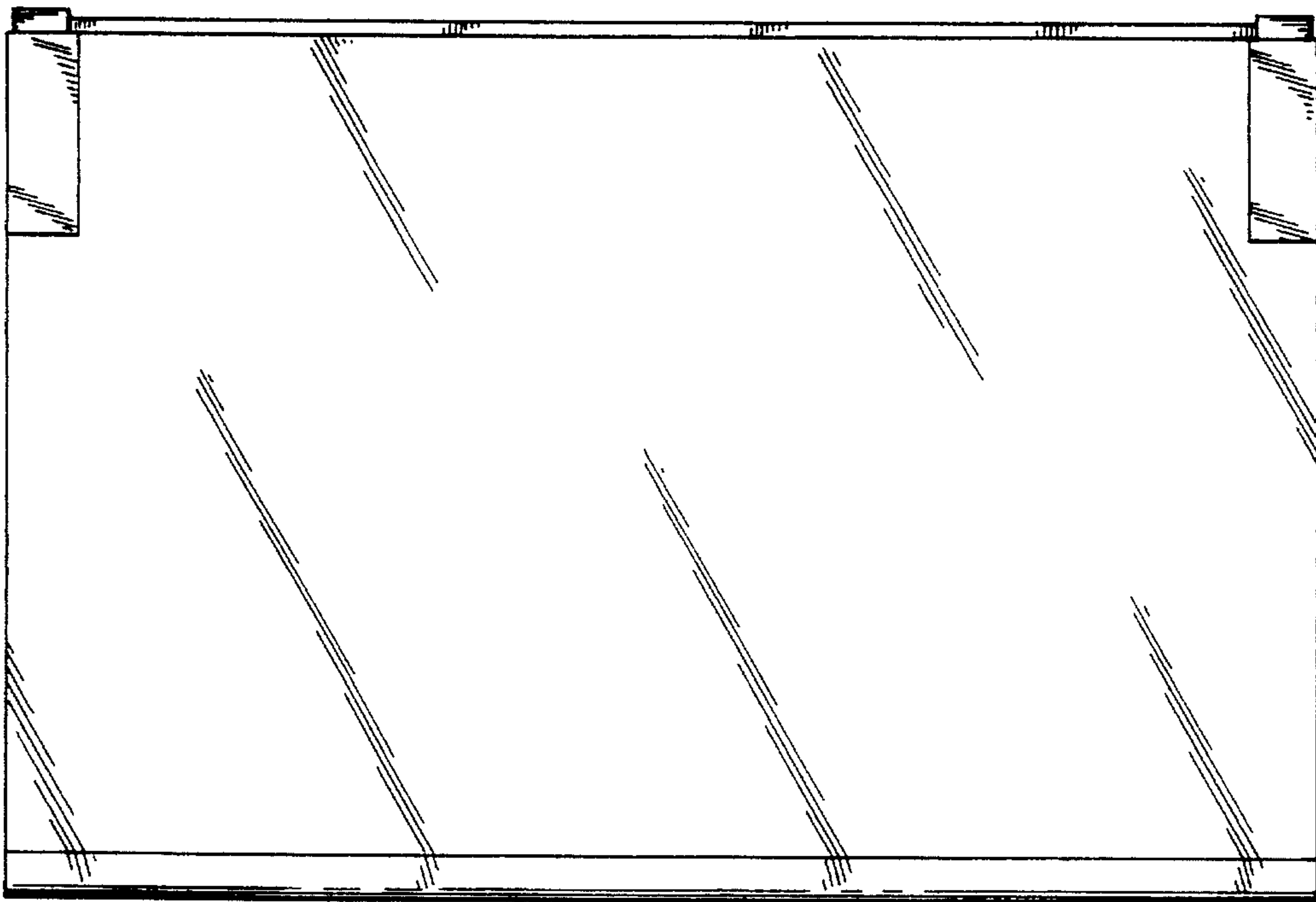


Fig. 5

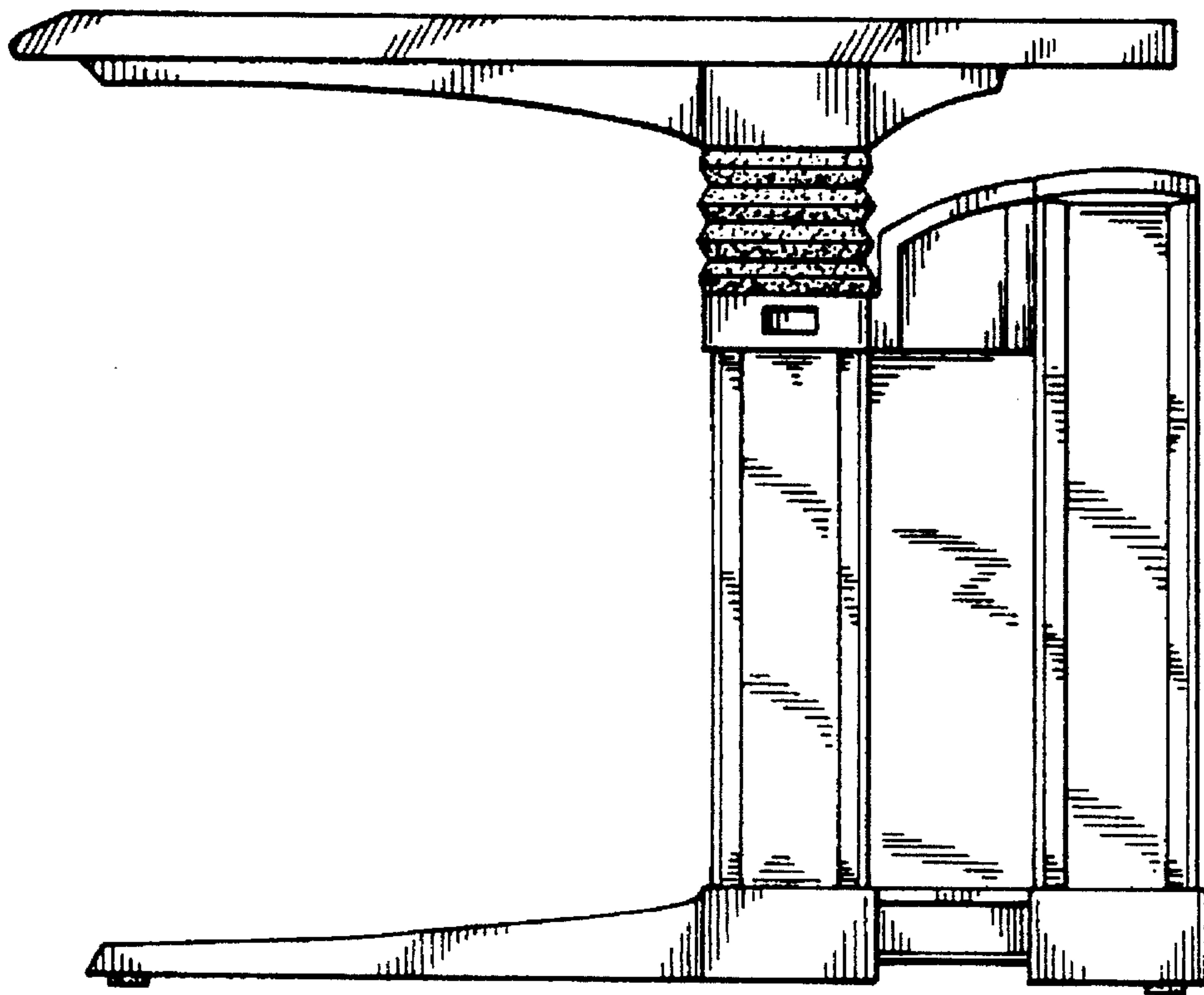


Fig. 6

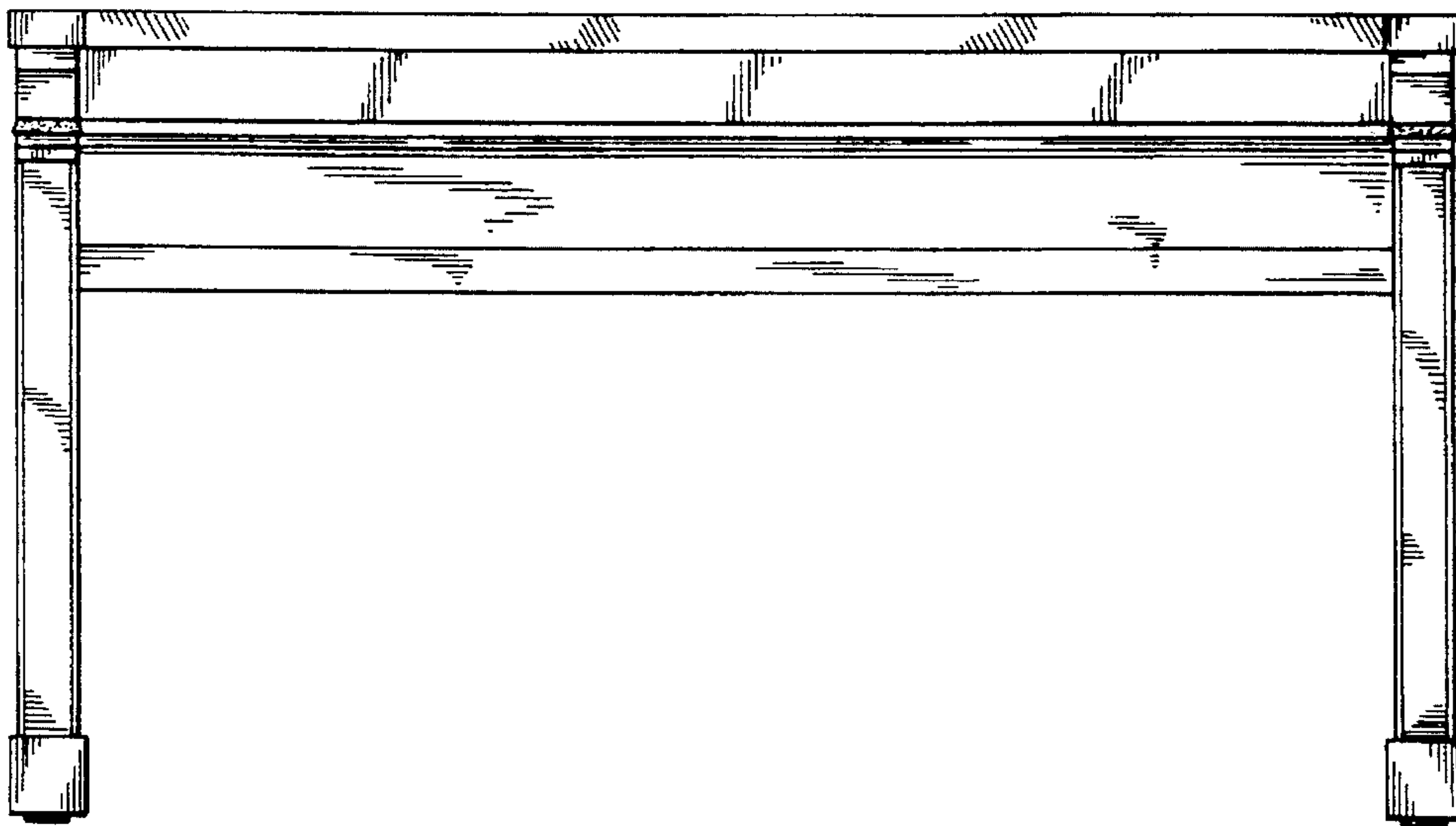


Fig. 7

